



US00D391786S

United States Patent [19]

Zaidman et al.

[11] Patent Number: **Des. 391,786**

[45] Date of Patent: ****Mar. 10, 1998**

[54] **NIGHT TABLE**

[75] Inventors: **Paul Zaidman; Weldon Neufeld**, both of Winnipeg, Canada

[73] Assignee: **Palliser Furniture Ltd.**, Winnipeg, Canada

[**] Term: **14 Years**

[21] Appl. No.: **58,733**

[22] Filed: **Aug. 21, 1996**

[51] LOC (6) Cl. **06-04**

[52] U.S. Cl. **D6/445**

[58] Field of Search D6/432-448; 312/204, 312/257

D. 274,963 8/1984 Brunner et al. D6/446
D. 331,506 12/1992 White D6/445
D. 376,494 12/1996 Brunner et al. D6/445

Primary Examiner—Carmen H. Vales-Lado
Attorney, Agent, or Firm—Pollock, Vande Sande & Priddy

[57] CLAIM

The ornamental design for a night table, as shown and described.

DESCRIPTION

FIG. 1 is a top plan view of a night table showing our new design;

FIG. 2 is a front perspective view thereof;

FIG. 3 is a front elevational view thereof; and,

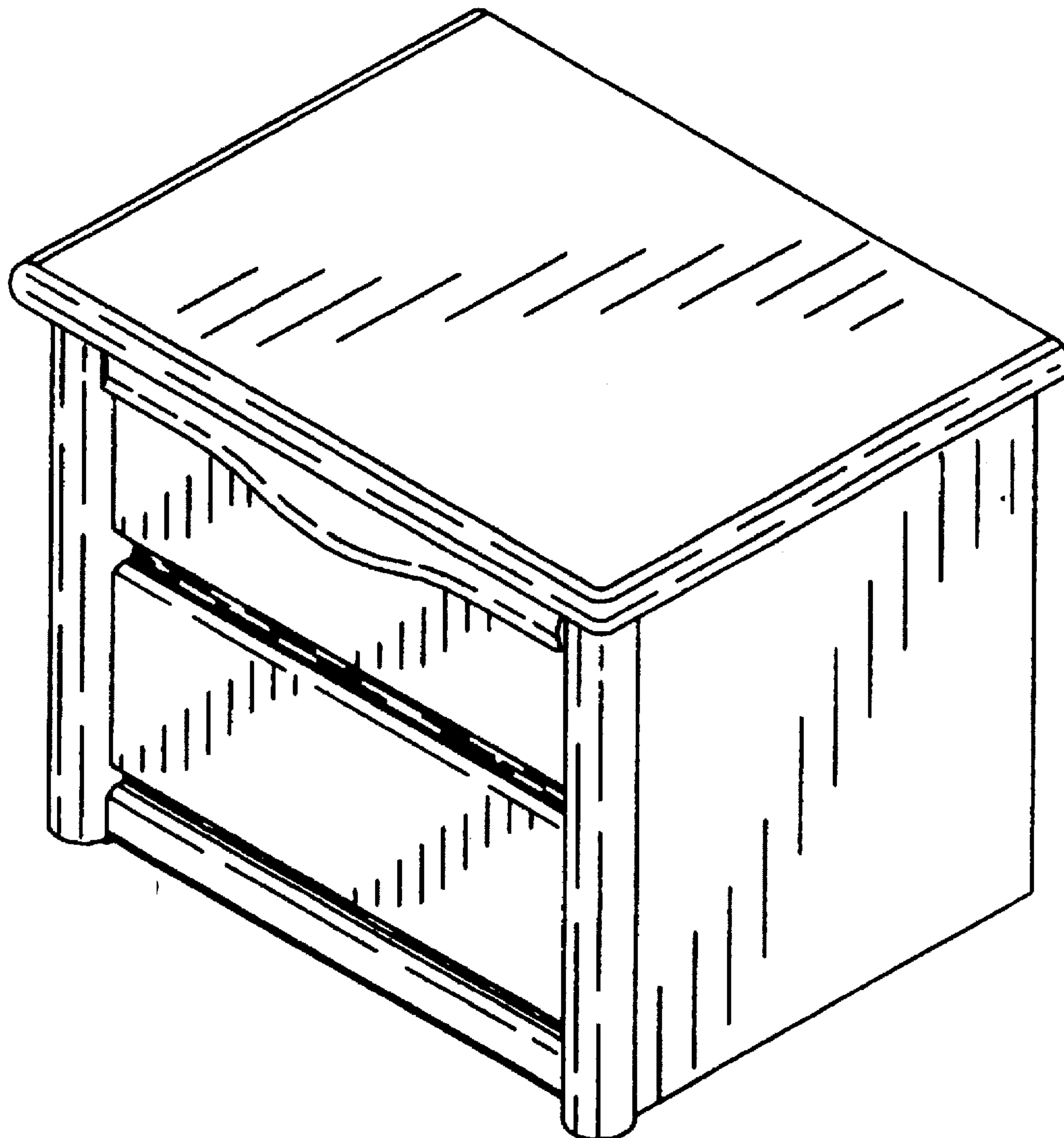
FIG. 4 is a left side elevational view as seen when in use, the right side view being a mirror image thereof.

[56] References Cited

U.S. PATENT DOCUMENTS

D. 231,170 4/1974 Carter D6/446

1 Claim, 1 Drawing Sheet



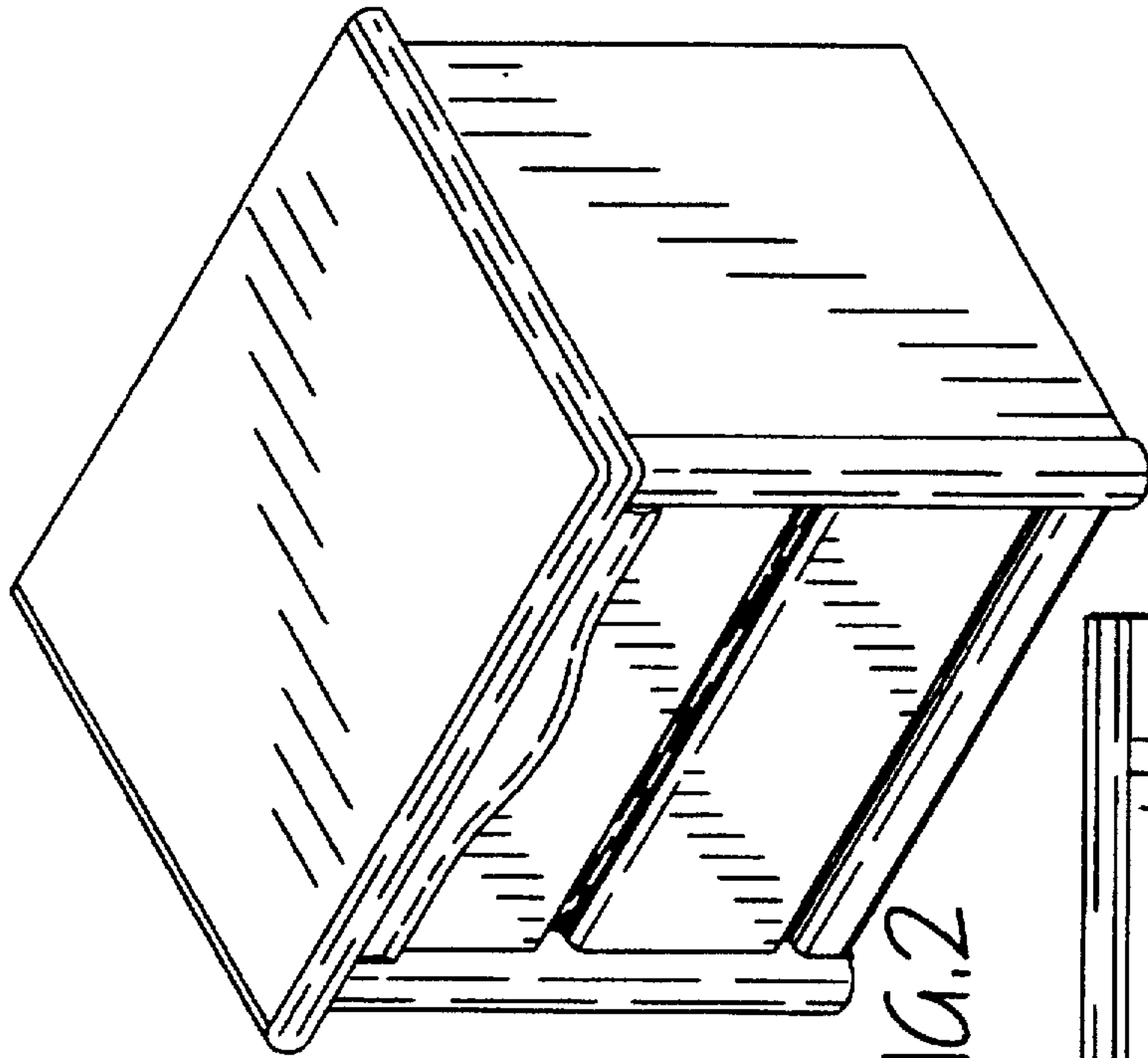


FIG. 2

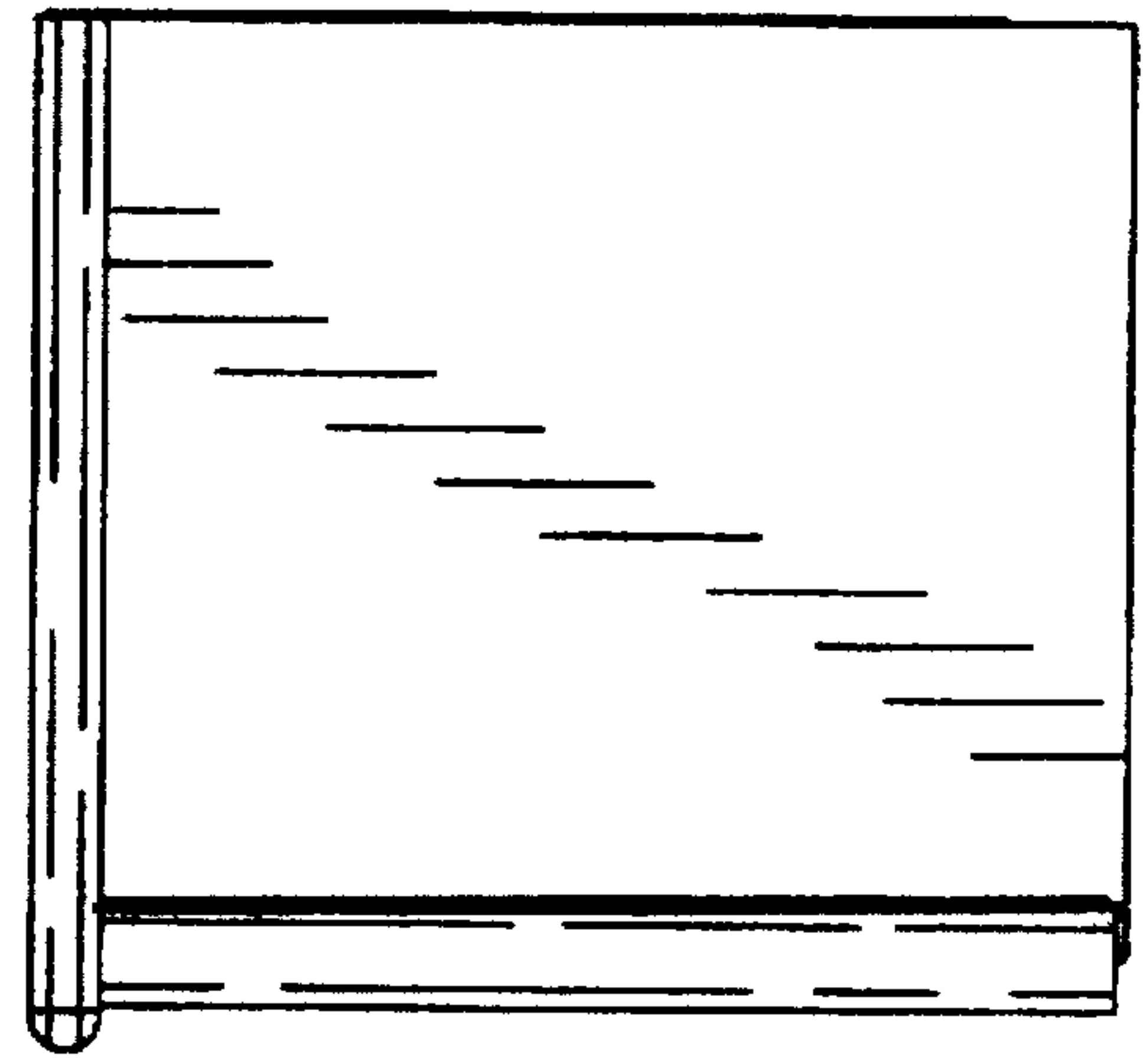


FIG. 4

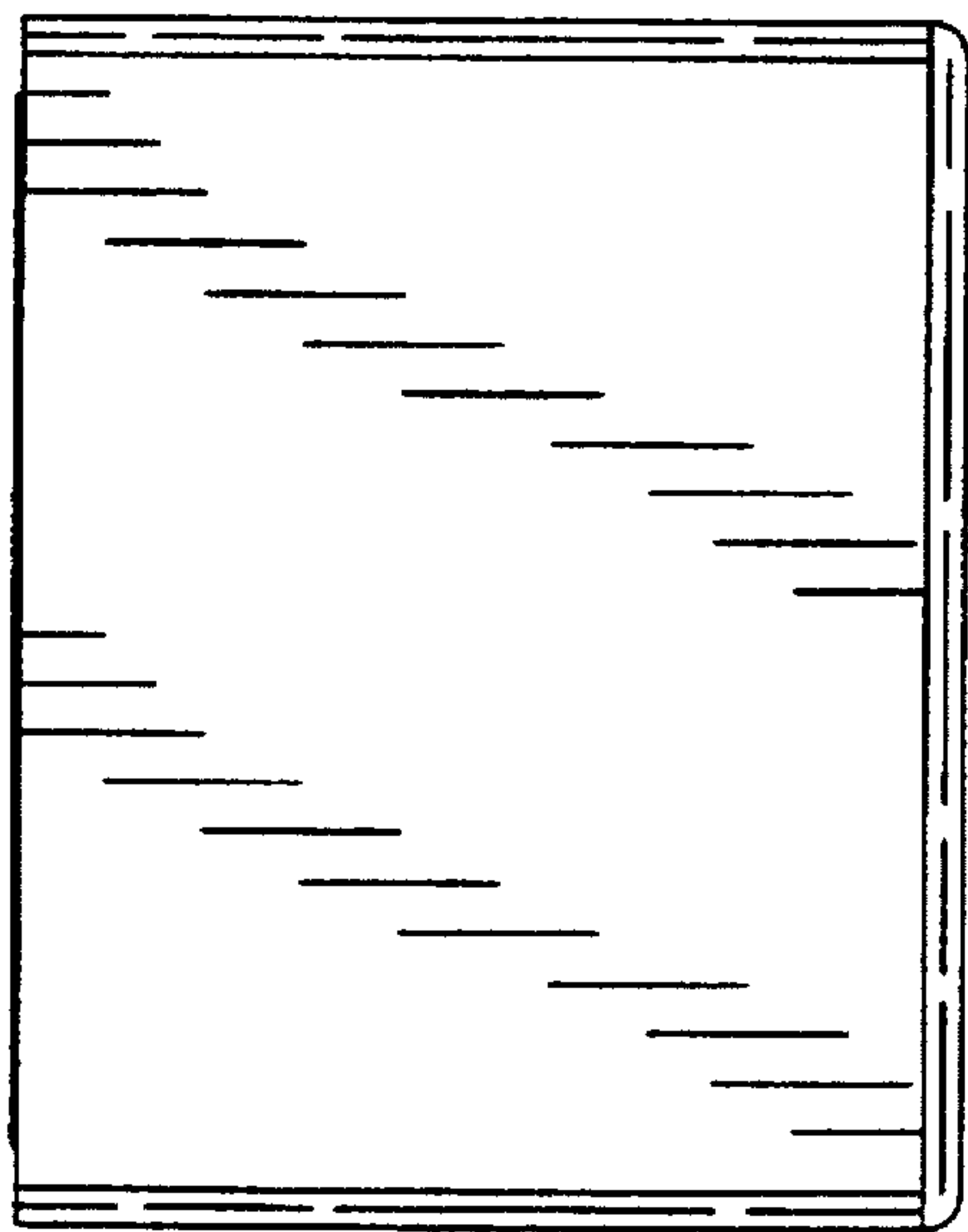


FIG. 1

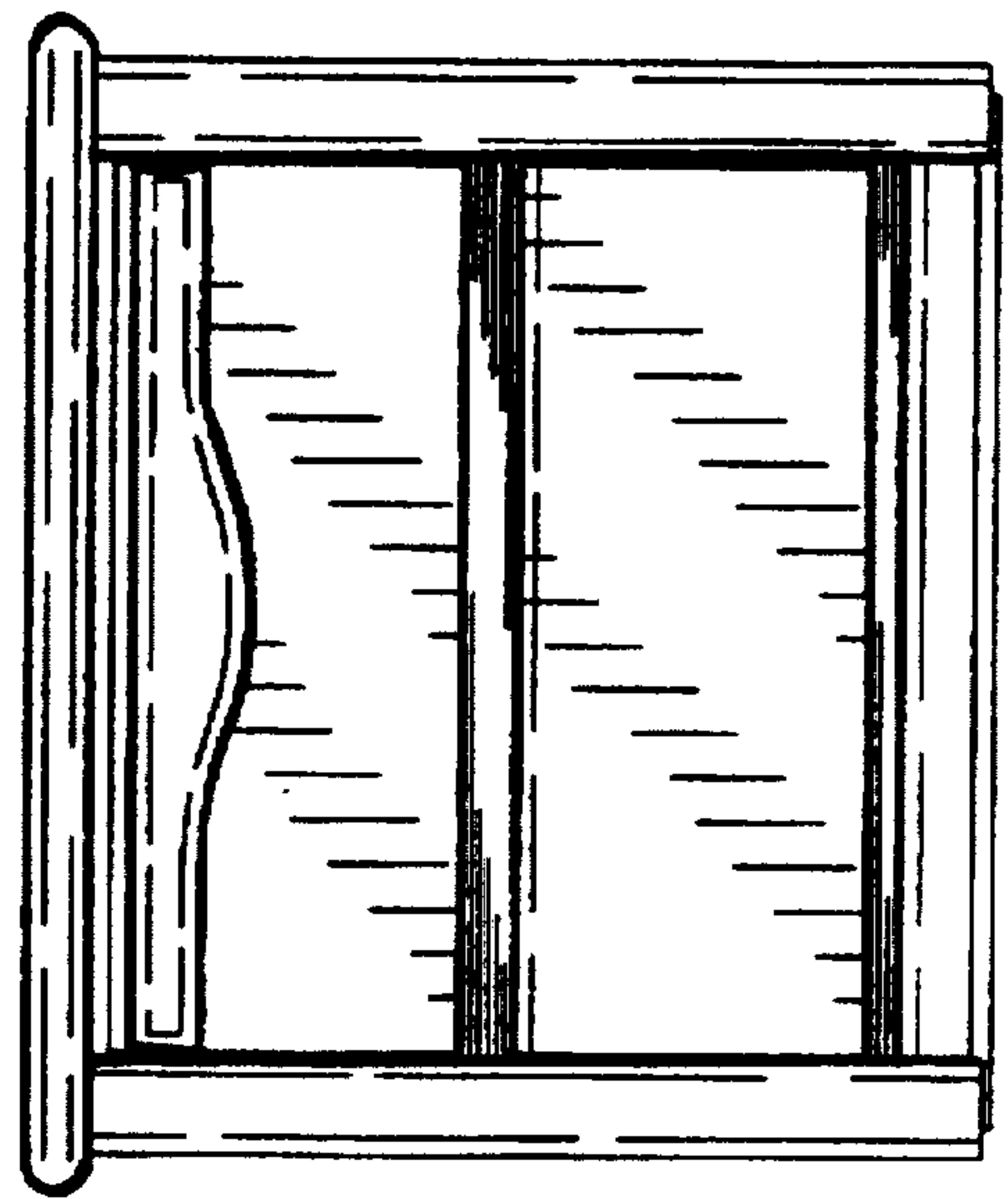


FIG. 3