

US00D391760S

United States Patent [19]
Zeller

[11] **Patent Number: Des. 391,760**
[45] **Date of Patent: **Mar. 10, 1998**

[54] **STORAGE BOX**

D. 351,504 10/1994 Tarozzi D3/273 X
D. 357,117 4/1995 Huang D3/276

[75] **Inventor: Nicole A. Zeller, Harrison, N.Y.**

Primary Examiner—Terry A. Wallace
Attorney, Agent, or Firm—Donald S. Dowden

[73] **Assignee: Zelco Industries, Inc., Mount Vernon, N.Y.**

[**] **Term: 14 Years**

[57] **CLAIM**

The ornamental design for a storage box, as shown and described.

[21] **Appl. No.: 67,155**

[22] **Filed: Mar. 5, 1997**

DESCRIPTION

[51] **LOC (6) Cl. 03-01**

FIG. 1 is a front view showing my new design in a closed state;

[52] **U.S. Cl. D3/281; D3/276**

FIG. 2 is a top view thereof;

[58] **Field of Search D3/200, 201, 273,**

FIG. 3 is a bottom view thereof;

D3/274, 276, 281, 283, 284, 294; 190/16,

FIG. 4 is a rear view thereof;

100, 109, 115, 117, 900; 206/349, 553,

FIG. 5 is a right side view thereof, the left side being a mirror image thereof; and,

372, 557, 562, 563

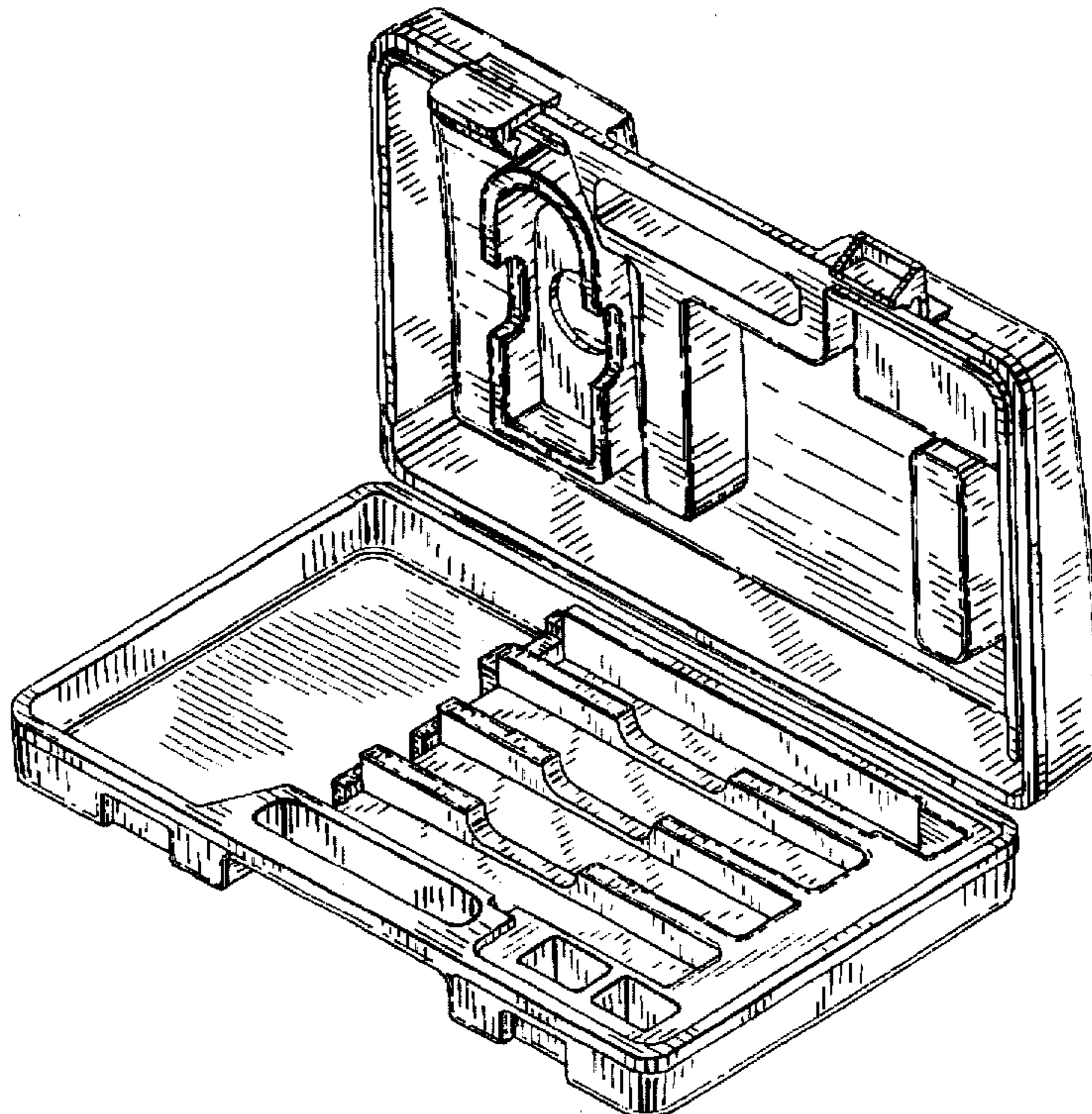
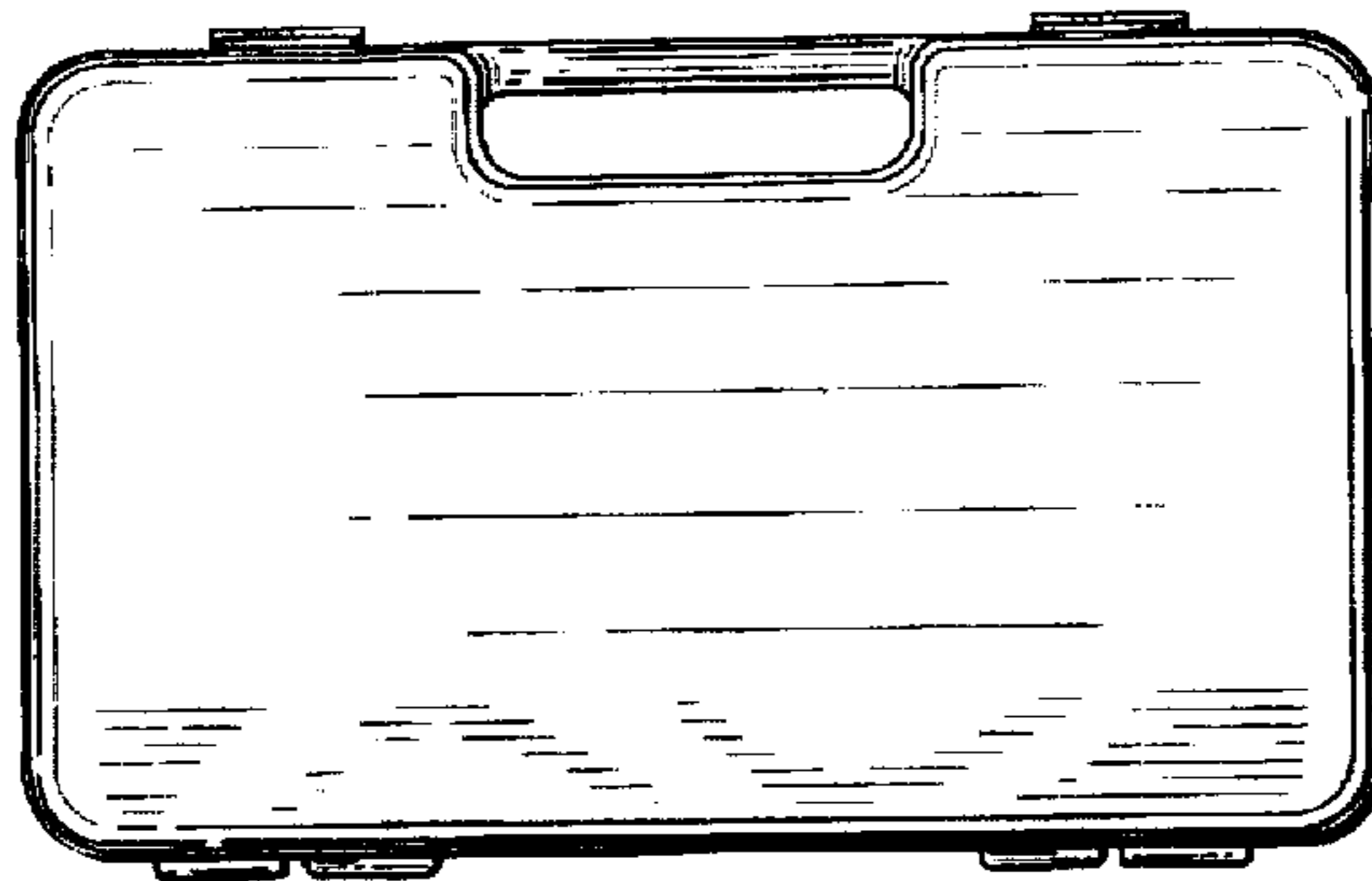
FIG. 6 is a perspective view thereof in an open state.

[56] **References Cited**

U.S. PATENT DOCUMENTS

D. 287,906 1/1987 Tsuji et al. D3/200

1 Claim, 3 Drawing Sheets



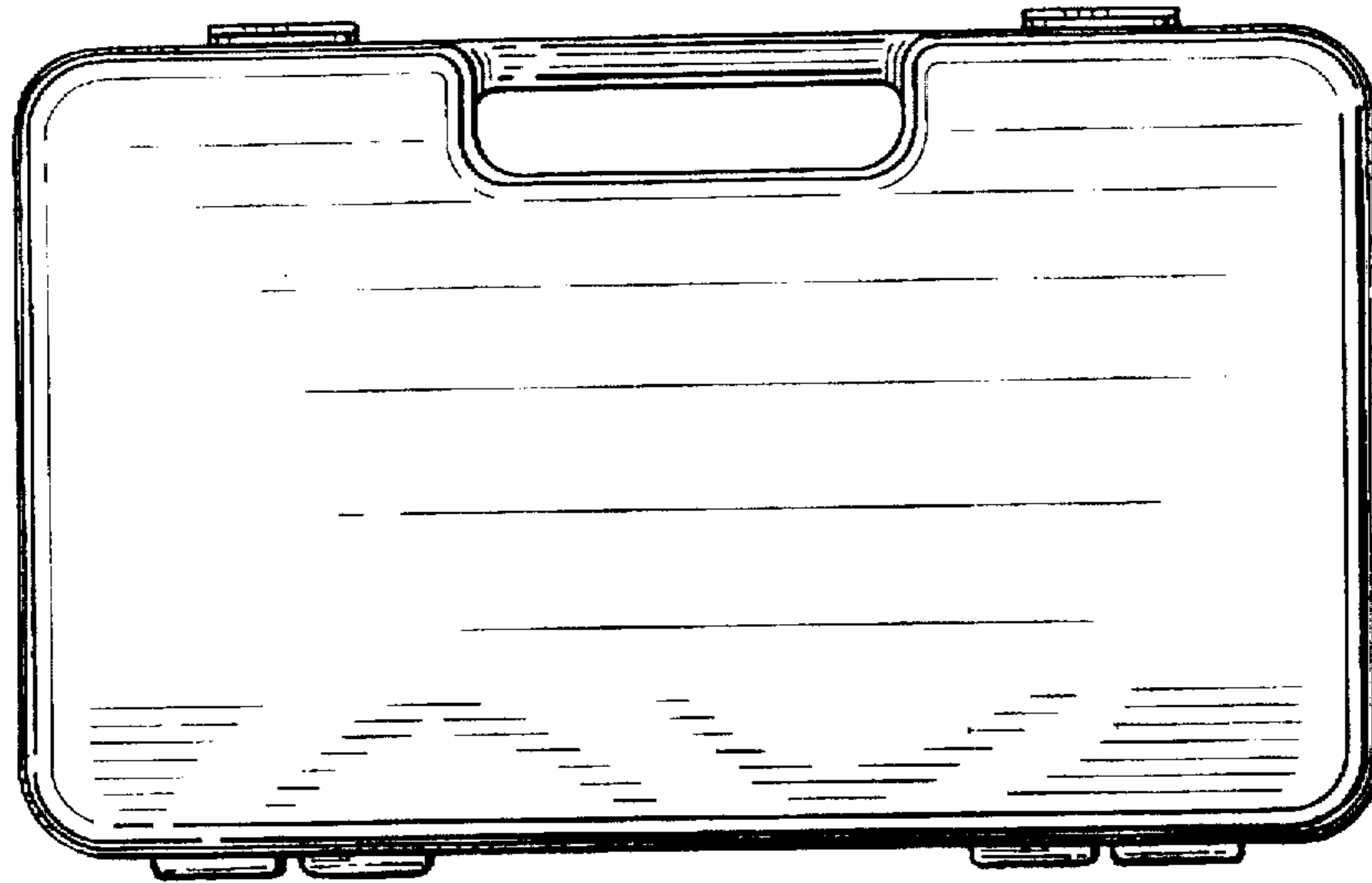


FIG. 1

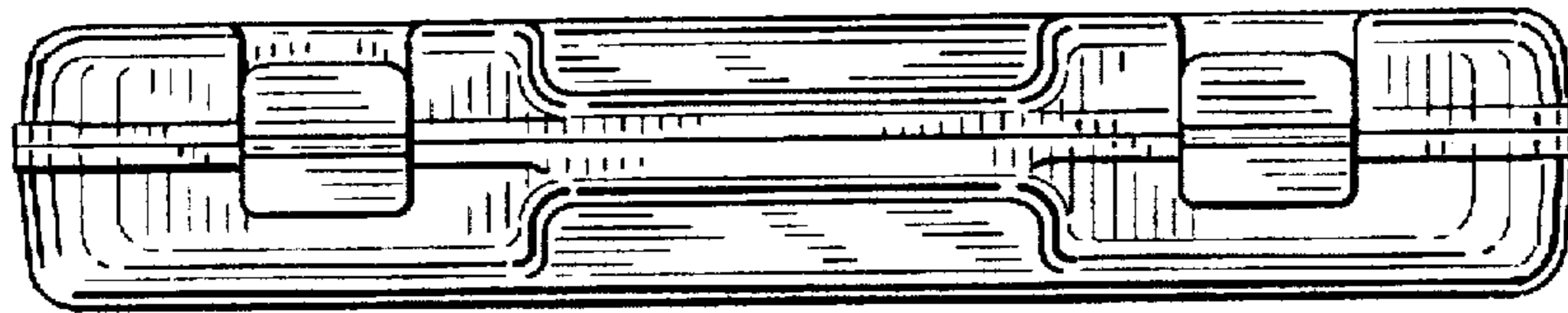


FIG. 2

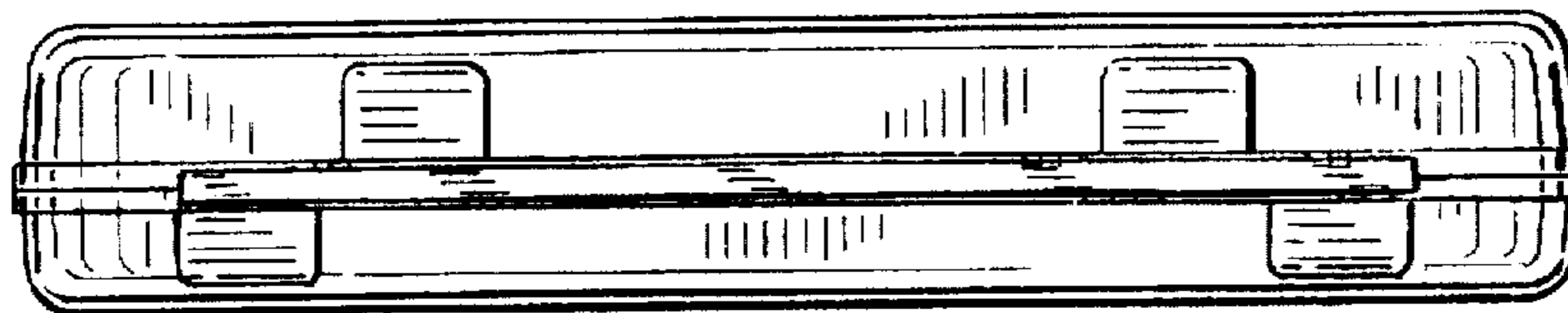


FIG. 3

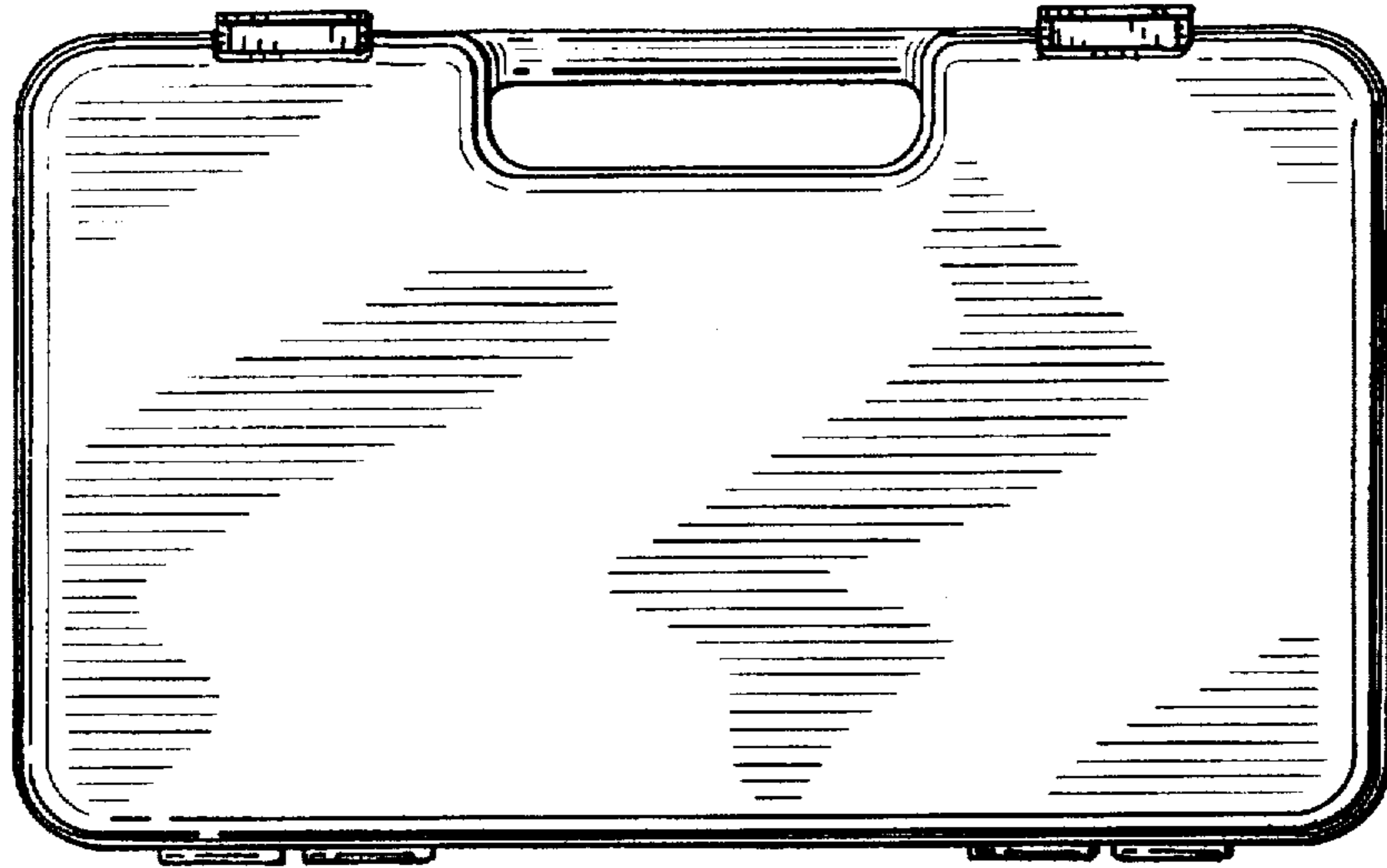


FIG. 4

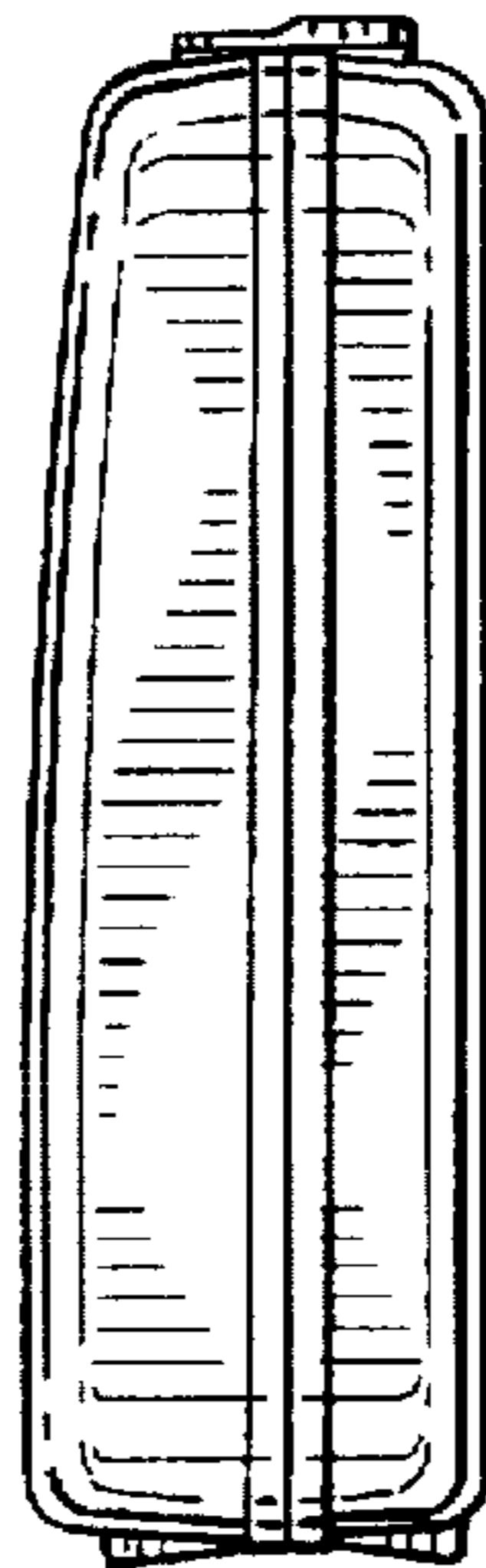


FIG. 5

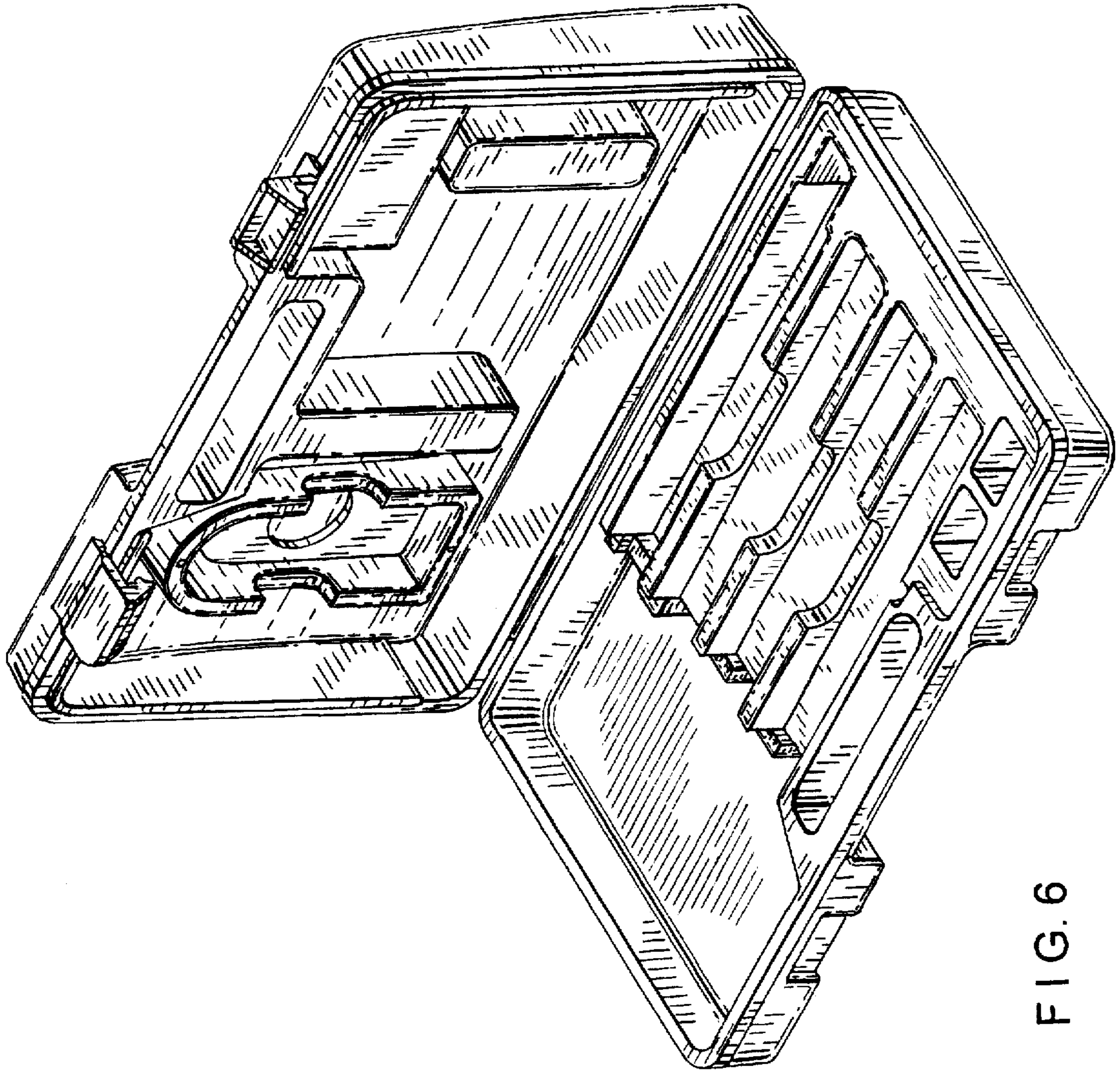


FIG. 6