



US00D391759S

# United States Patent [19]

[11] Patent Number: **Des. 391,759**

**Zudall**

[45] Date of Patent: **\*\*Mar. 10, 1998**

[54] **EYEGASSES HOLDER**

[76] Inventor: **Andrew Zudall**, 4140 Mount Olney La., Olney, Md. 20832

[\*\*] Term: **14 Years**

[21] Appl. No.: **68,480**

[22] Filed: **Mar. 21, 1997**

[51] LOC (6) Cl. .... **03-01**

[52] U.S. Cl. .... **D3/266**

[58] Field of Search ..... D3/219, 265, 266; 206/5, 5.1, 6; 248/206.4, 205, 902

[56] **References Cited**

**U.S. PATENT DOCUMENTS**

D. 113,402	2/1939	Schram	.....	248/902	X
D. 161,850	2/1951	Maier	.....	D3/266	
D. 298,835	12/1988	Vukasinovich	.....	D3/266	
1,219,685	3/1917	Wall	.....	D3/266	X
3,550,890	12/1970	Kemp	.....	248/206.4	

*Primary Examiner*—Doris V. Coles  
*Assistant Examiner*—Catherine R. Oliver  
*Attorney, Agent, or Firm*—Ronald R. Snider

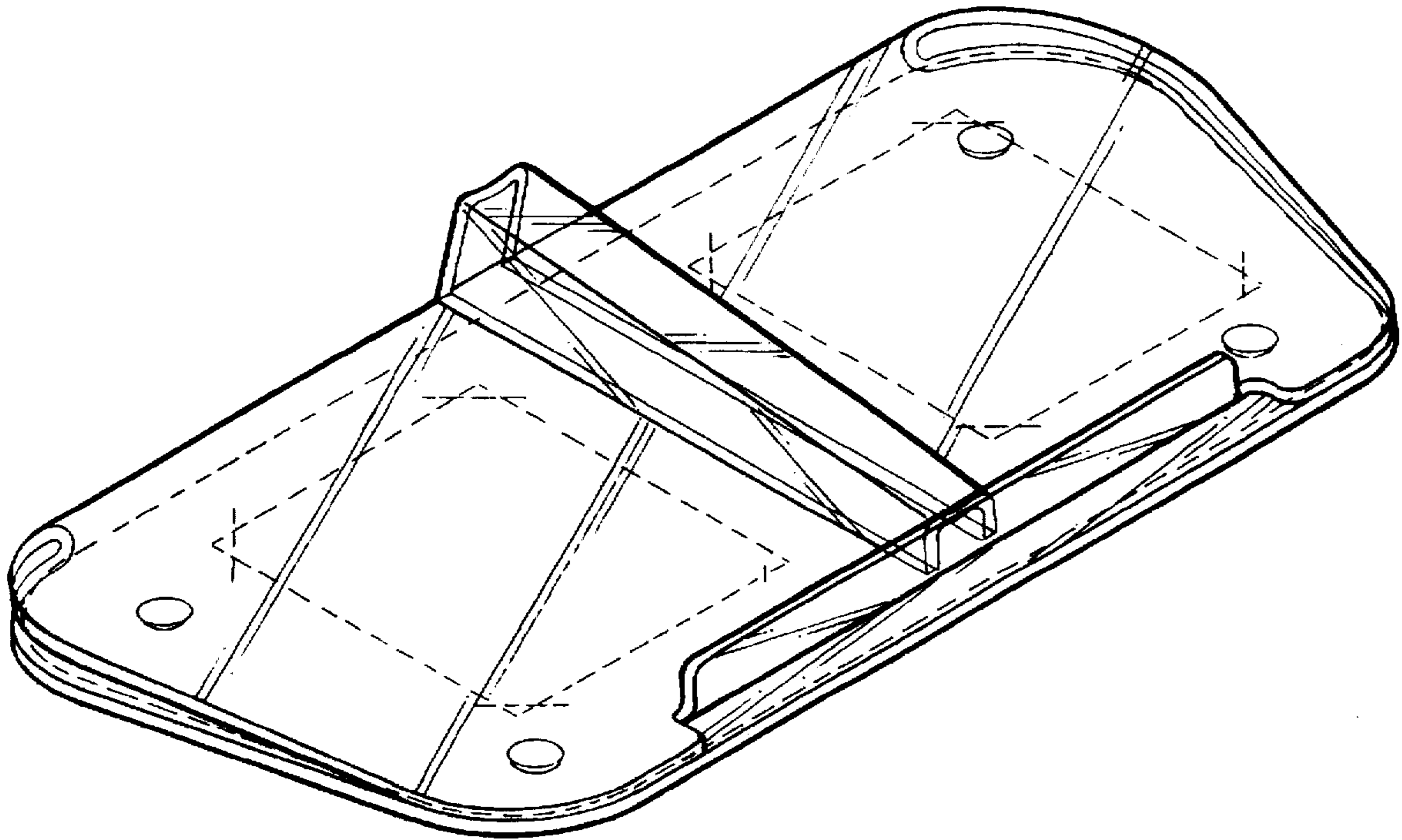
[57] **CLAIM**

The ornamental design for an eyeglasses holder, as shown and described.

**DESCRIPTION**

FIG. 1 is a perspective view of the present invention, showing the new design for an eyeglasses holder; FIG. 2 is a top view thereof; FIG. 3 is a bottom view thereof; FIG. 4 is a front view thereof; FIG. 5 is a rear view thereof; and, FIG. 6 is a side view, with the opposite side view being a mirror image thereof. The broken line showing of environment in FIGS. 1-6 is for illustrative purposes only and forms no part of the claimed design.

**1 Claim, 3 Drawing Sheets**



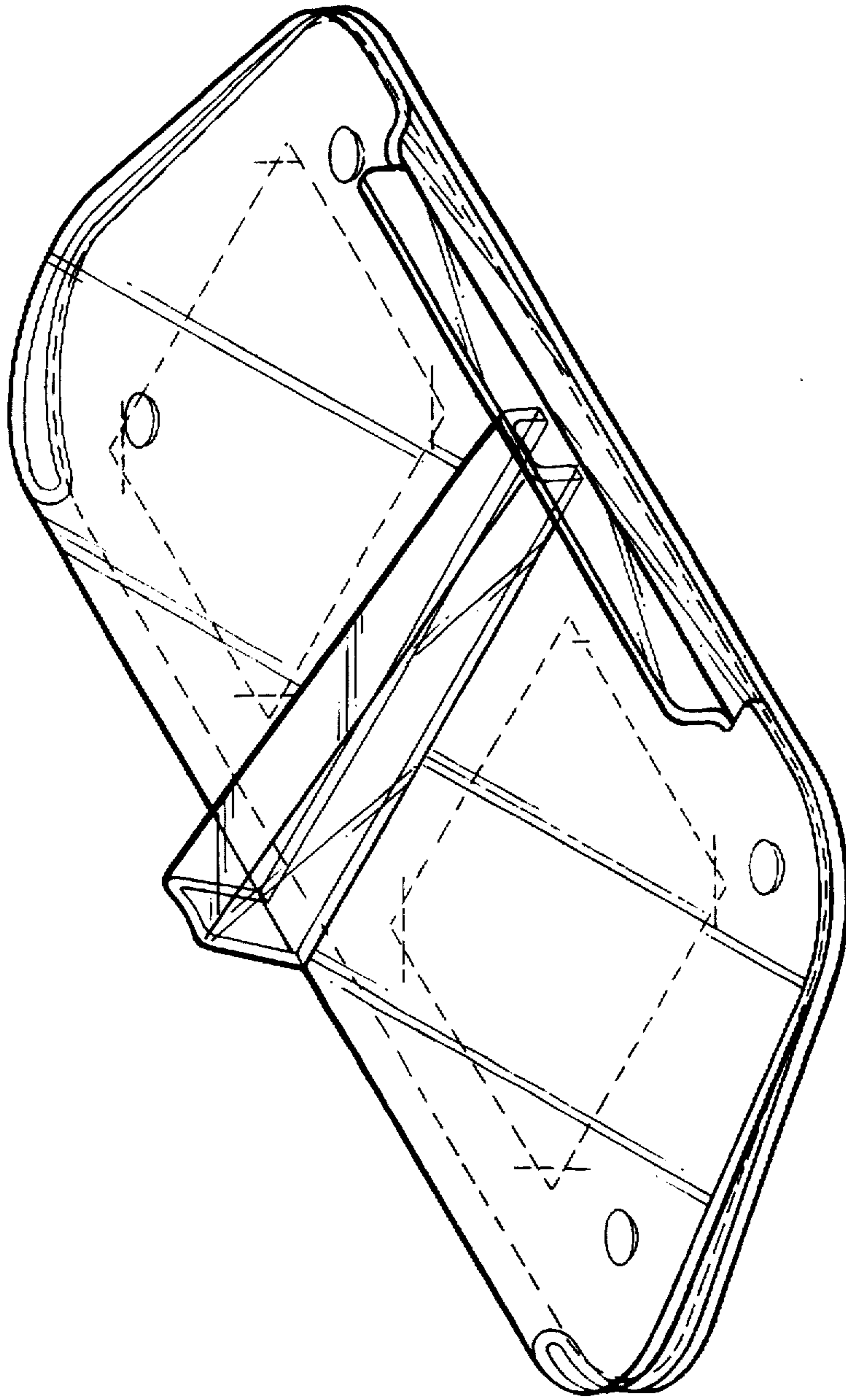


FIG. 1

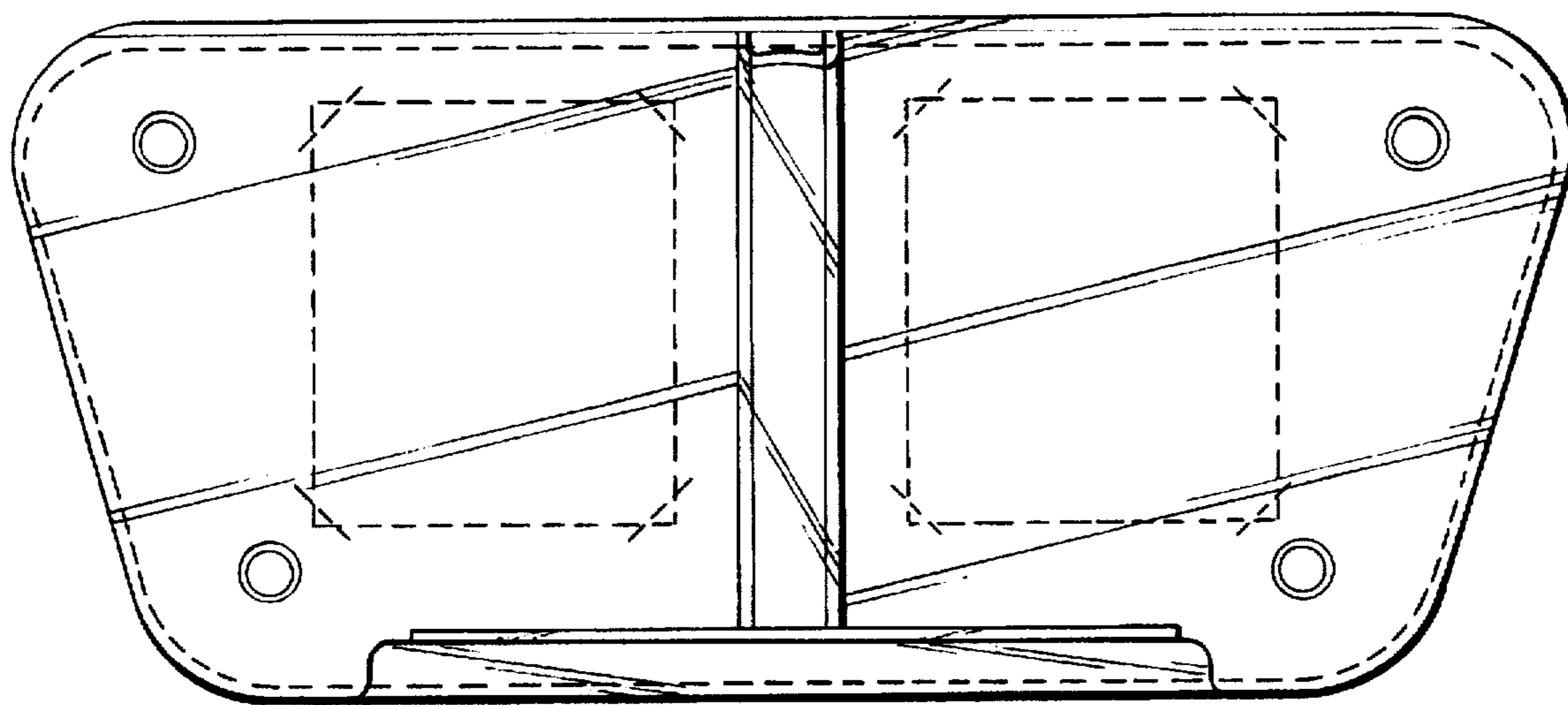


FIG. 2

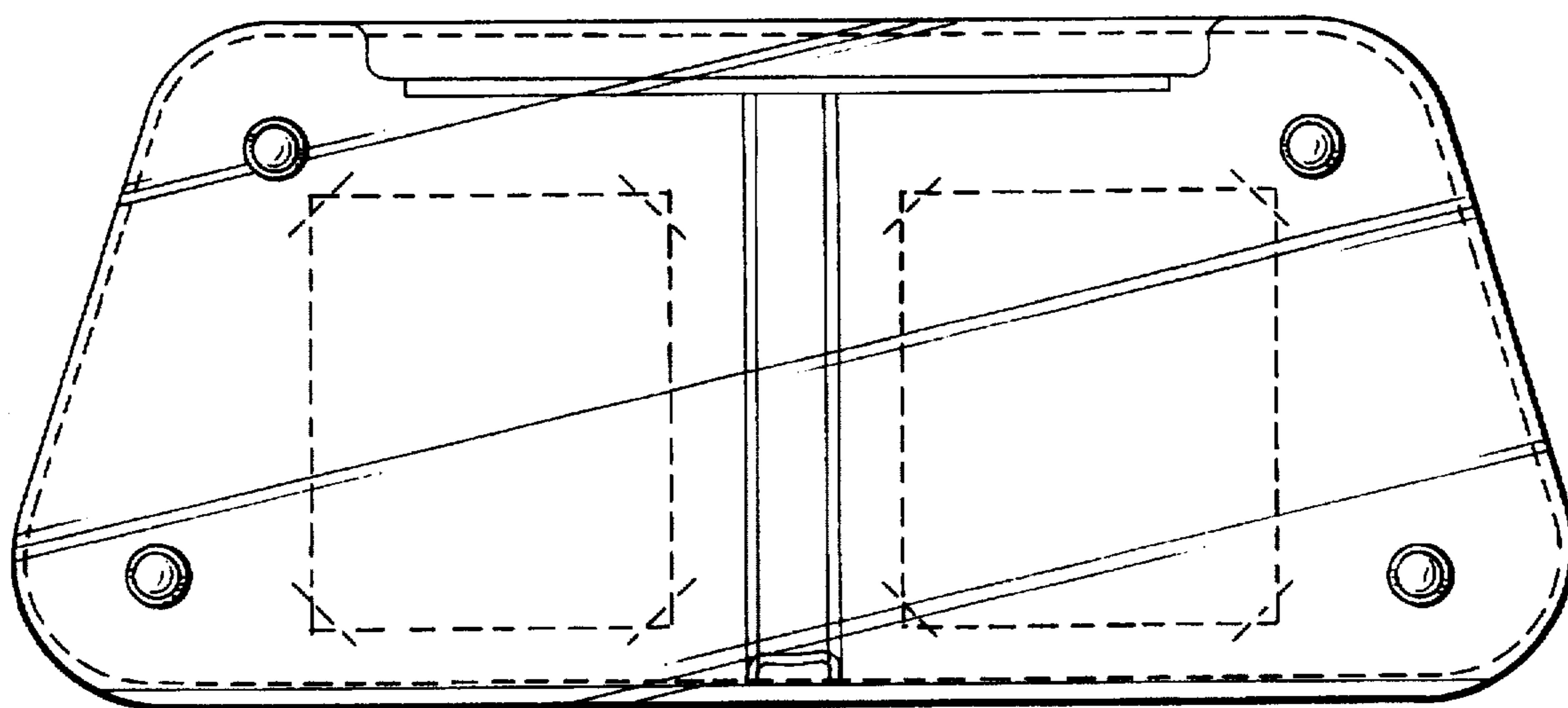


FIG. 3

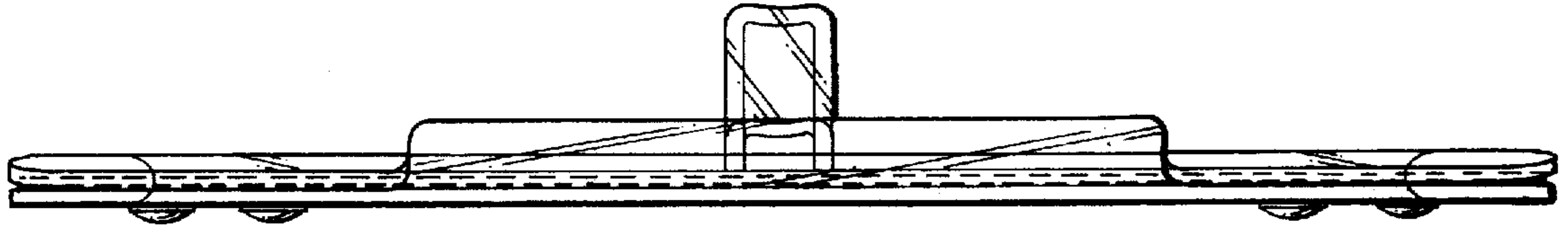


FIG. 4

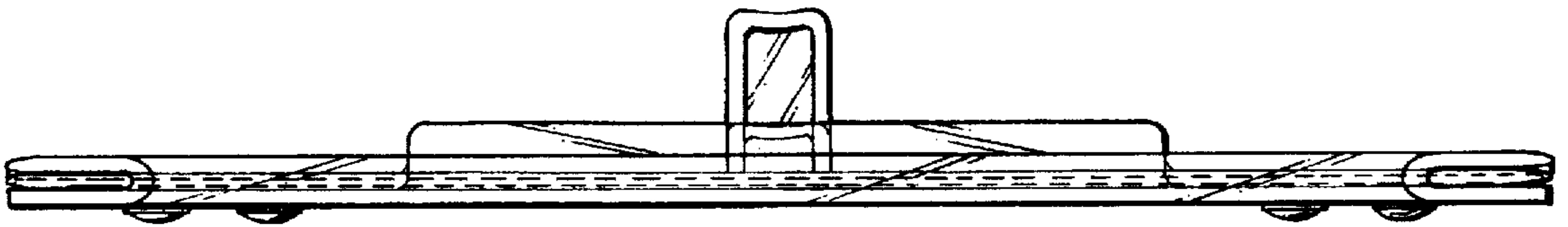


FIG. 5

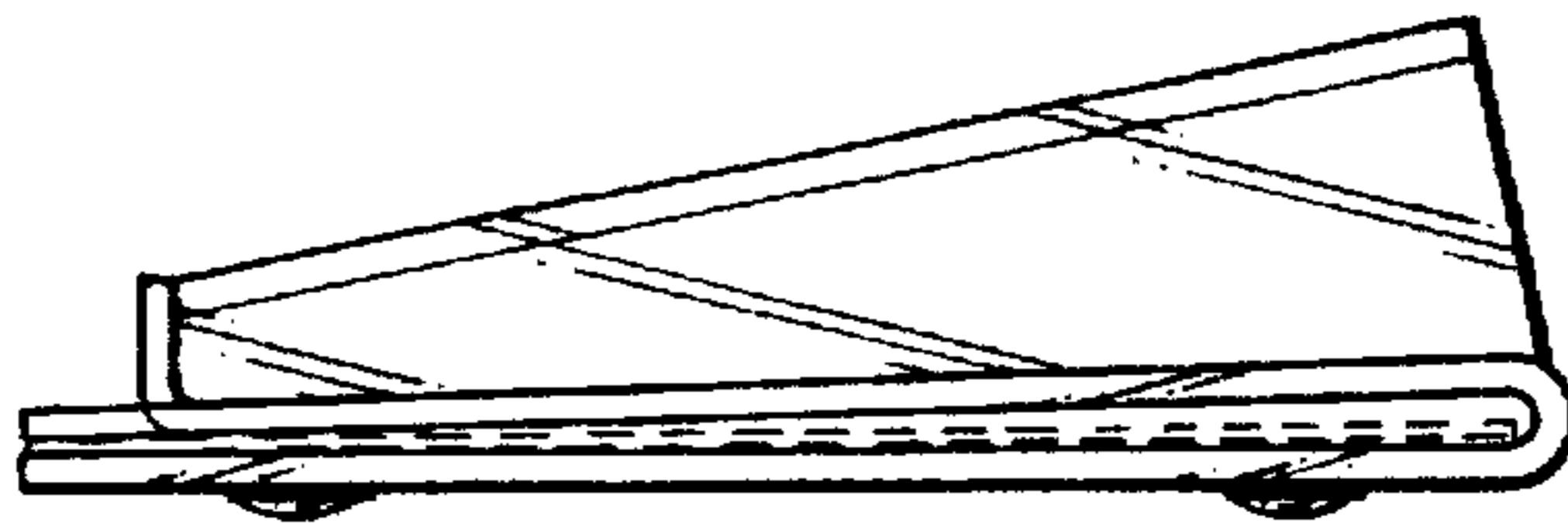


FIG. 6