



US00D391755S

# United States Patent [19]

Grimm et al.

[11] Patent Number: Des. 391,755

[45] Date of Patent: \*\*Mar. 10, 1998

[54] **UMBRELLA CASE BACKPACK**

[75] Inventors: **Ulrich Grimm; Ruth Willis**, both of New York, N.Y.

[73] Assignee: **Anne Klein & Company**, New York, N.Y.

[\*\*] Term: **14 Years**

[21] Appl. No.: **56,236**

[22] Filed: **Jun. 18, 1996**

[51] LOC (6) Cl. .... **03-01**

[52] U.S. Cl. .... **D3/11**

[58] Field of Search ..... **D3/11, 216, 217; 224/915; 135/15.1, 33.2, 16, 34.2**

[56] **References Cited**

**U.S. PATENT DOCUMENTS**

D. 347,520	6/1994	El-Edwy	.....	D3/11
D. 369,238	4/1996	Cain	.....	D3/11
4,911,271	3/1990	Stanley	.....	224/915 X
5,365,966	11/1994	McLaren	.....	135/16

*Primary Examiner*—Doris V. Coles  
*Assistant Examiner*—Catherine R. Oliver  
*Attorney, Agent, or Firm*—Cowan, Liebowitz & Latman, P.C.; Morey B. Wildes, Esq.

[57] **CLAIM**

The design for the umbrella case backpack, as shown and described.

**DESCRIPTION**

FIG. 1 is a top plan view of the umbrella case backpack showing my new design;  
FIG. 2 is a right side elevational view thereof;  
FIG. 3 is a front elevational view thereof;  
FIG. 4 is a rear elevational view thereof;  
FIG. 5 is a left side elevational view thereof;  
FIG. 6 is a bottom plan view thereof;  
FIG. 7 is a top, rear, right side perspective view with the straps broken away for clarity;  
FIG. 8 is a top, rear, right side perspective view of a second embodiment, with the straps shown broken away for clarity;  
FIG. 9 is a top, rear, right side perspective view of a third embodiment, with the straps shown broken away for clarity;  
and,  
FIG. 10 is a top, rear, right side perspective view of a fourth embodiment, with the straps shown broken away for clarity;  
Embodiments 2-4 are identical to embodiment 1, with the exception of the alternate strap and alternate closure means.

**1 Claim, 7 Drawing Sheets**

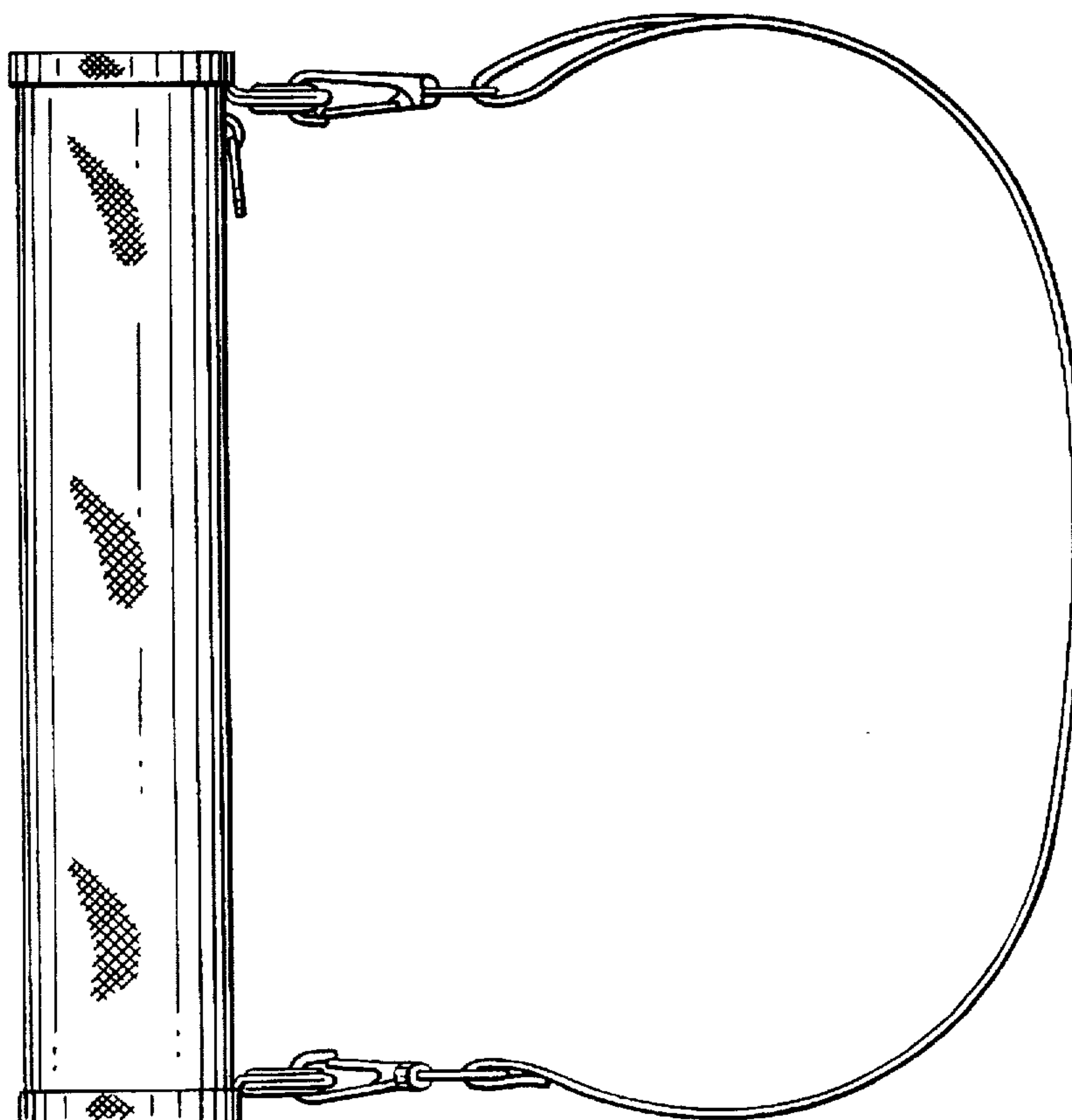


FIG. 1

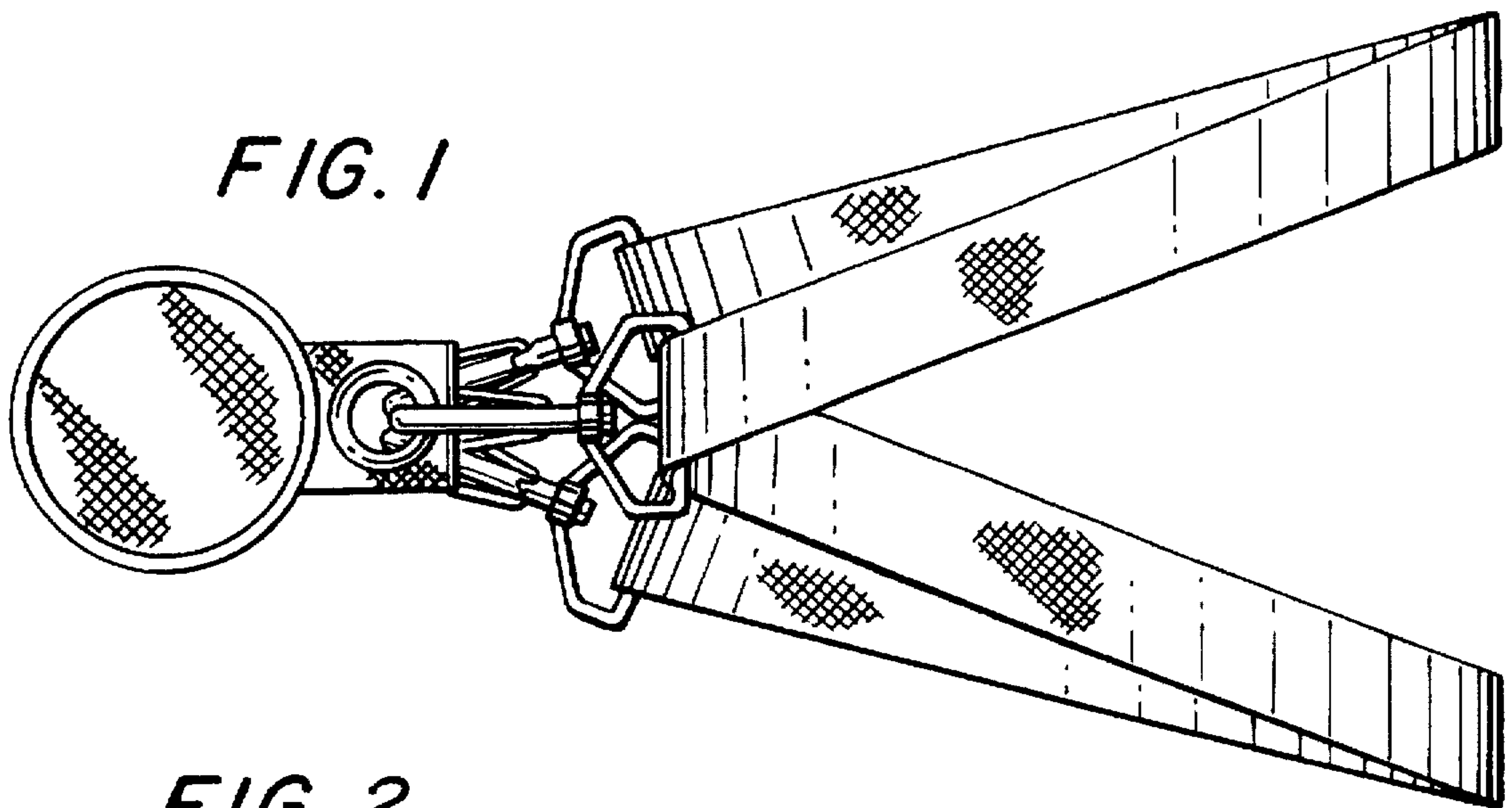


FIG. 2

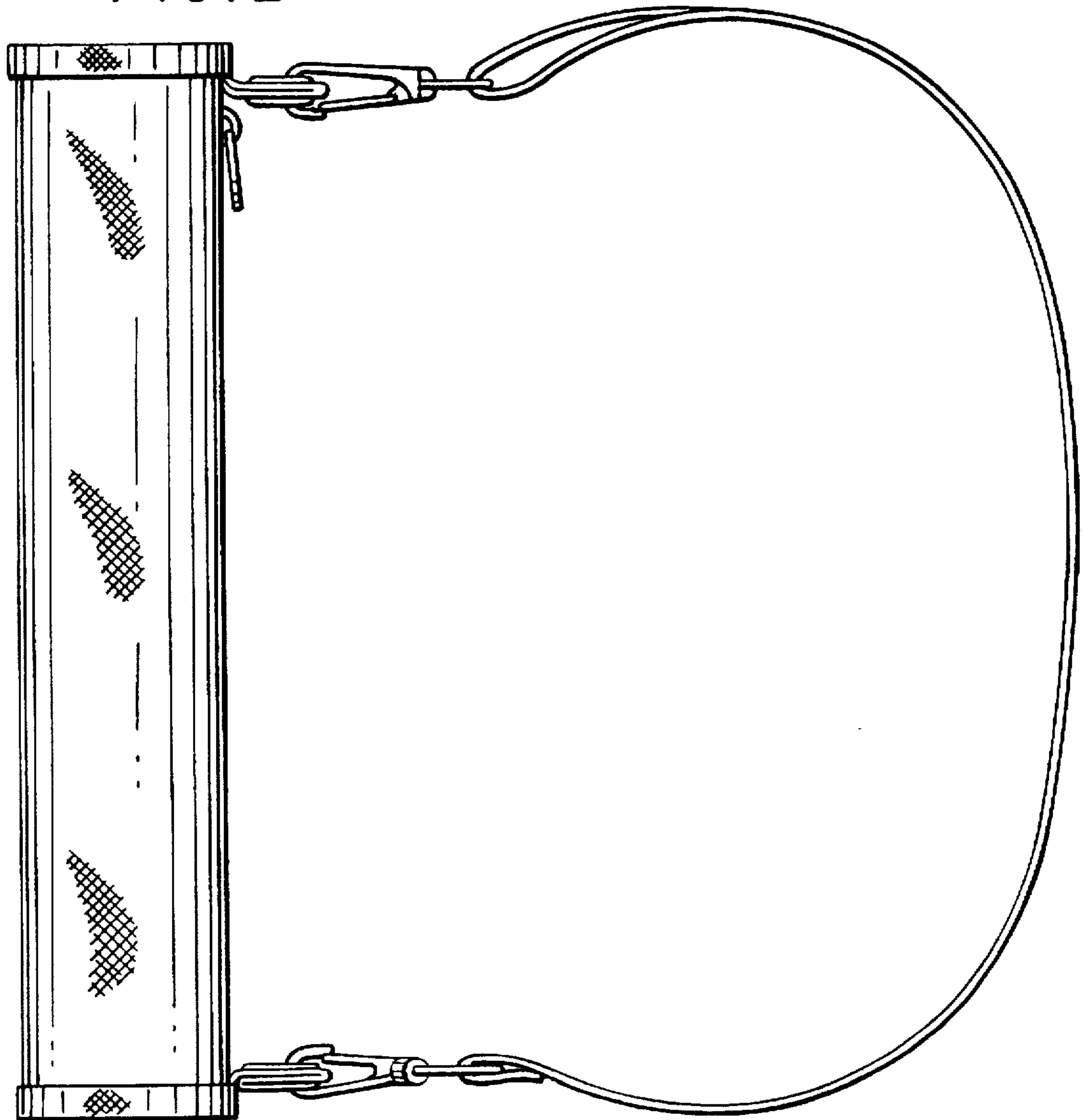


FIG. 4

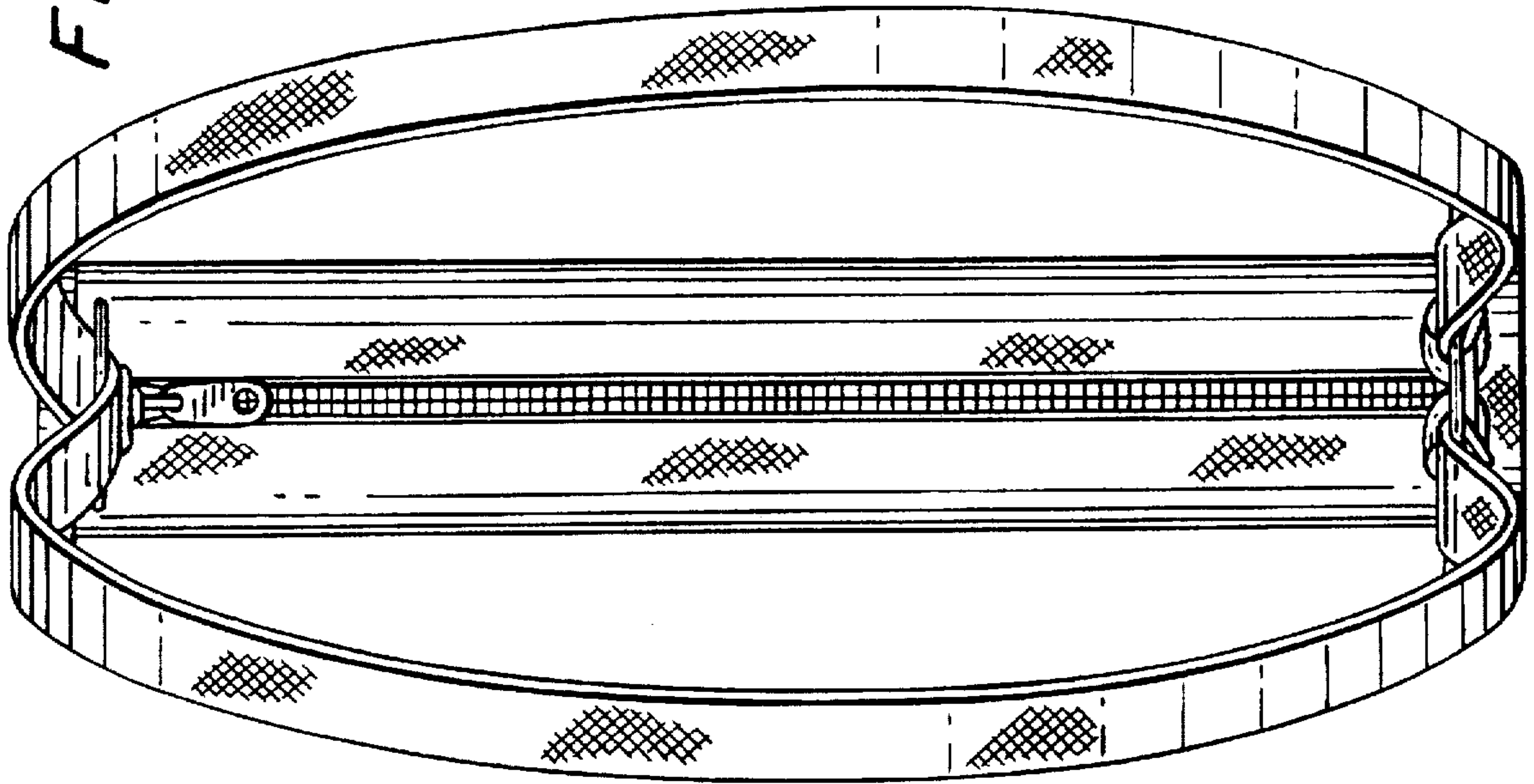
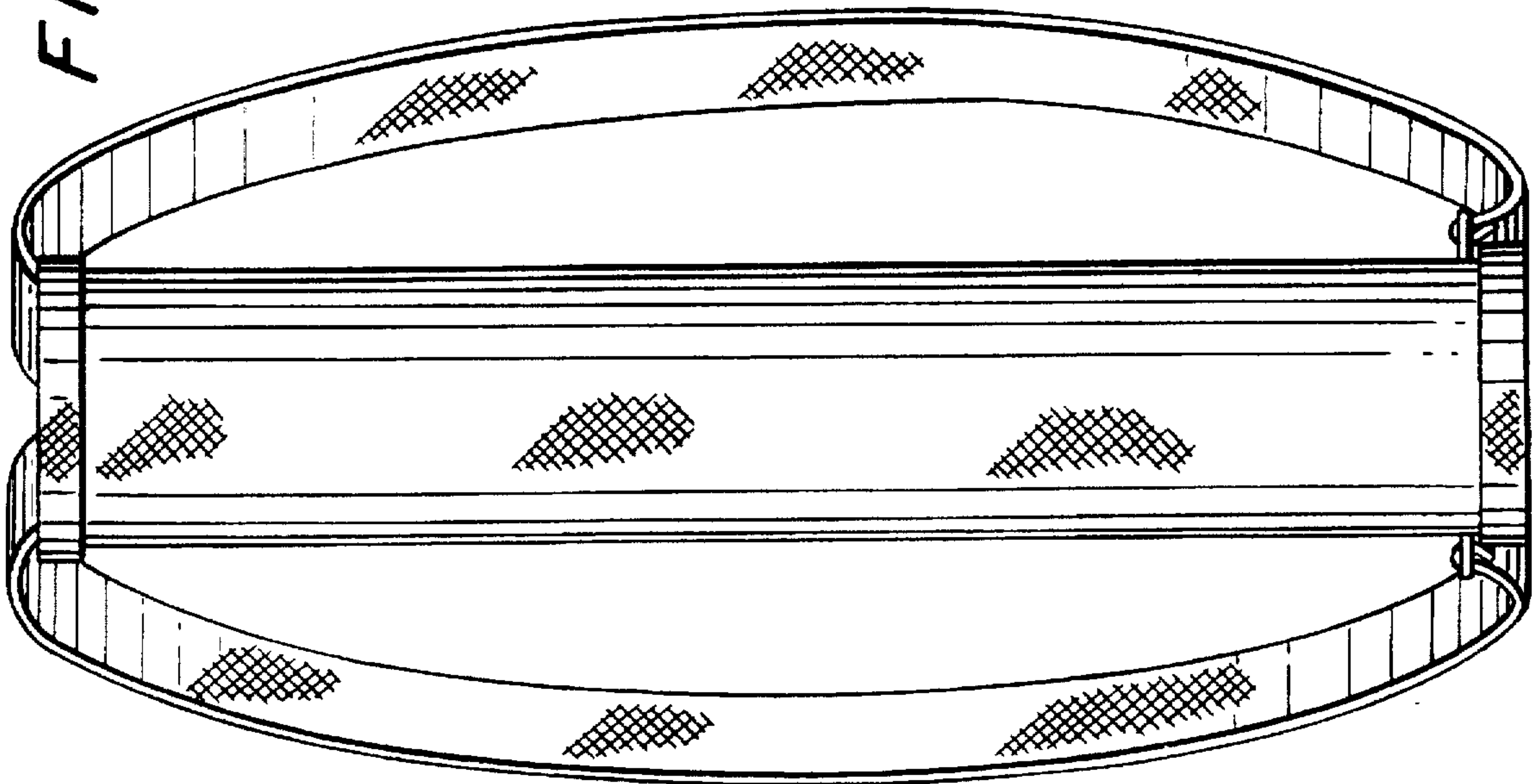
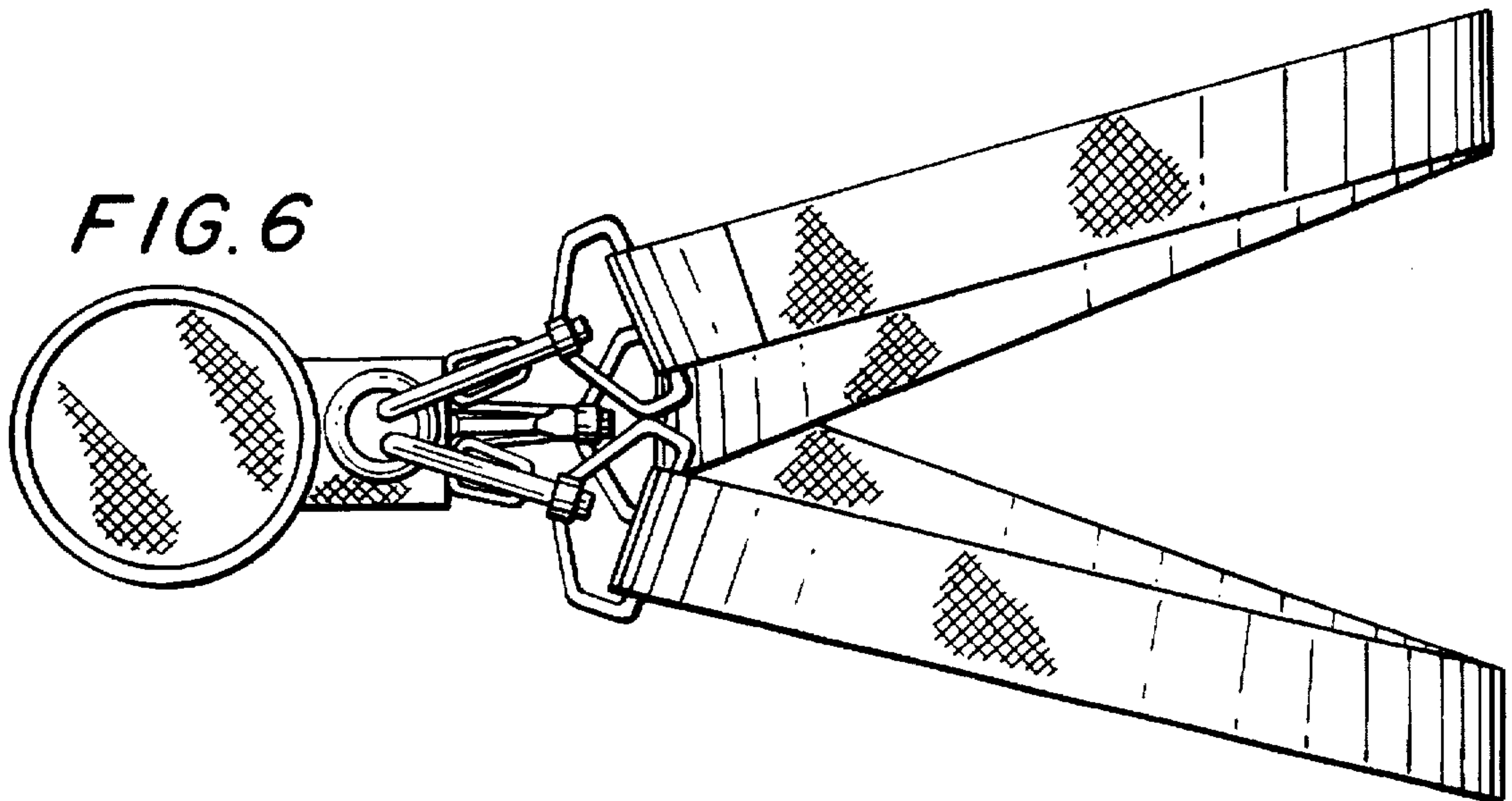
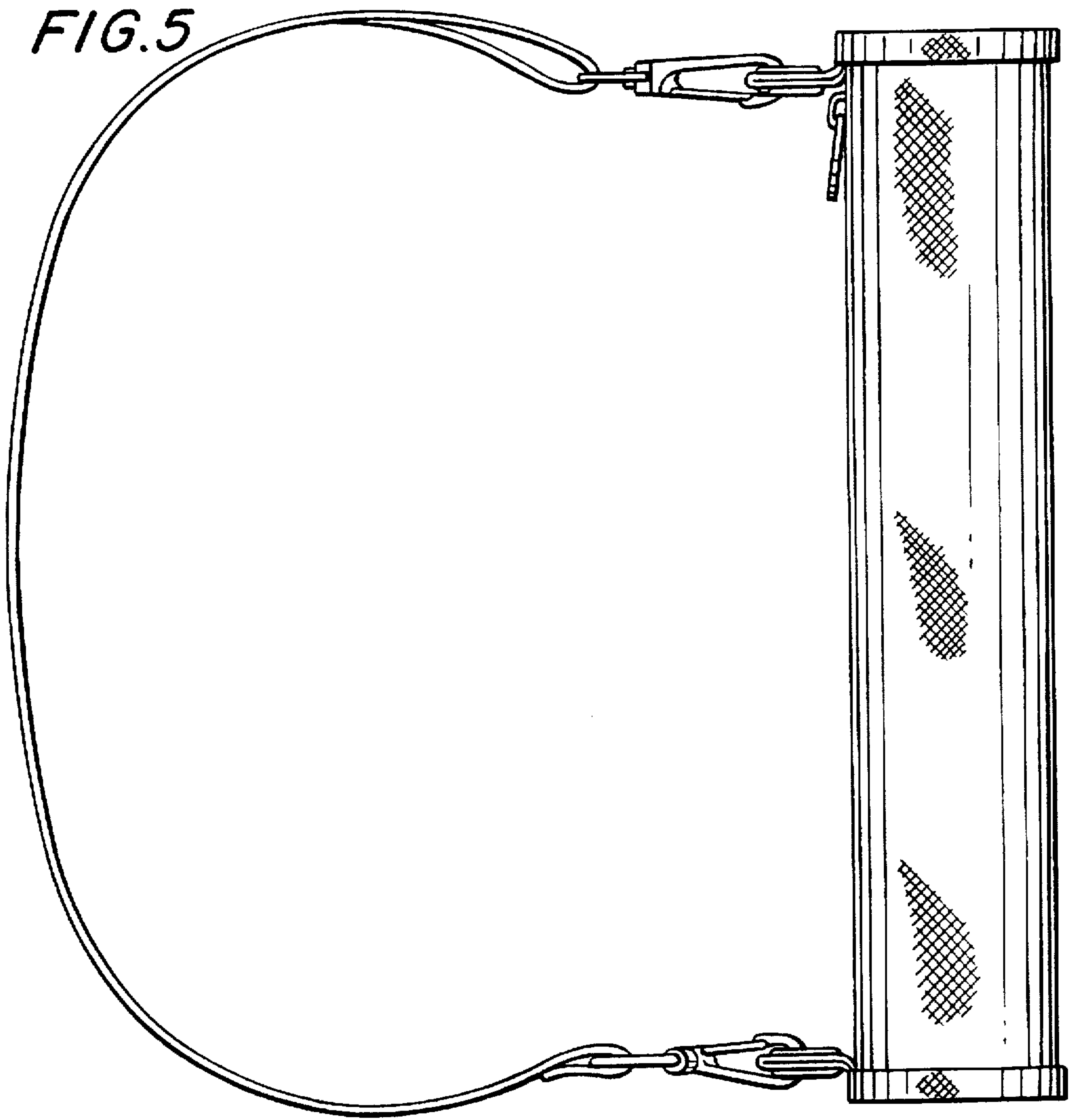


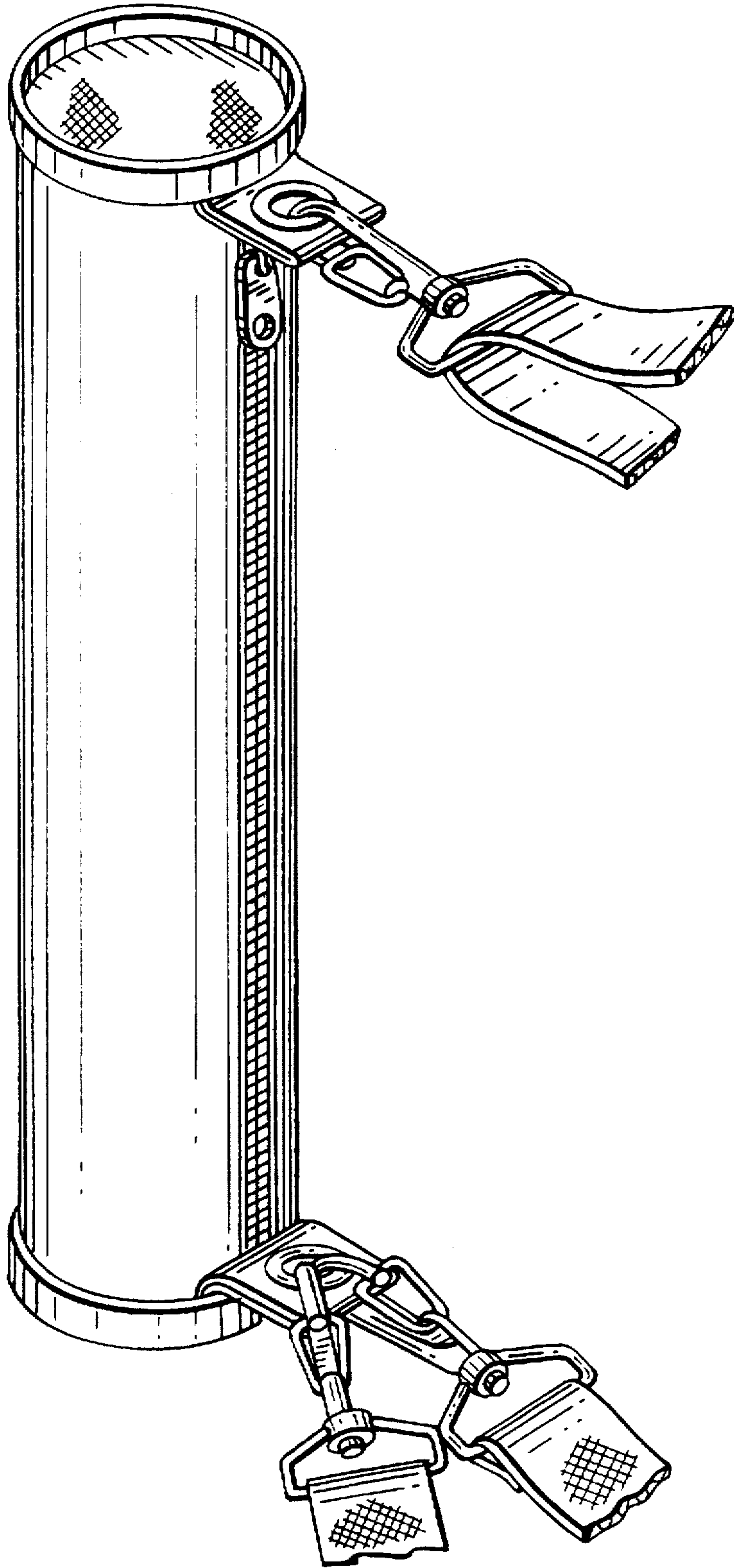
FIG. 3



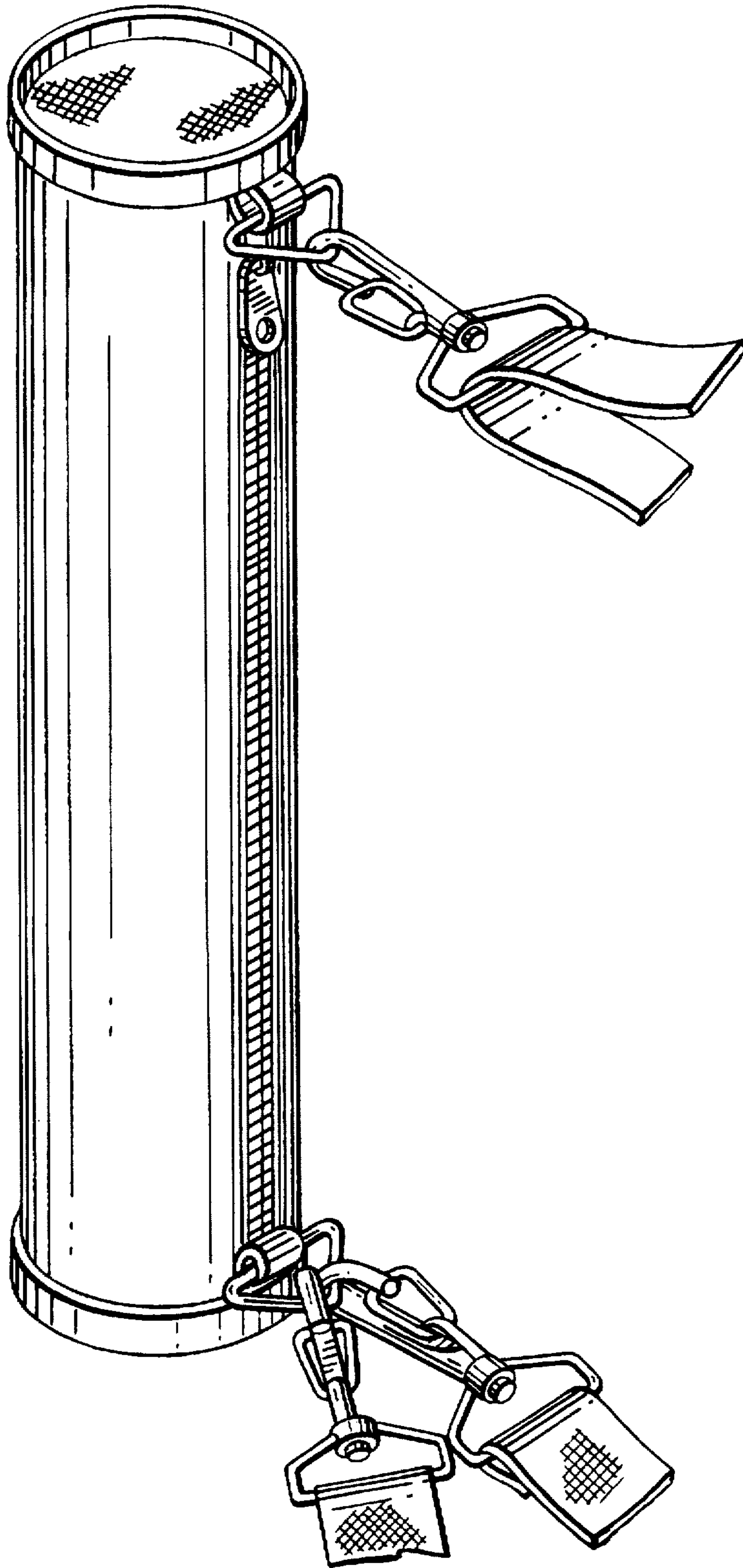




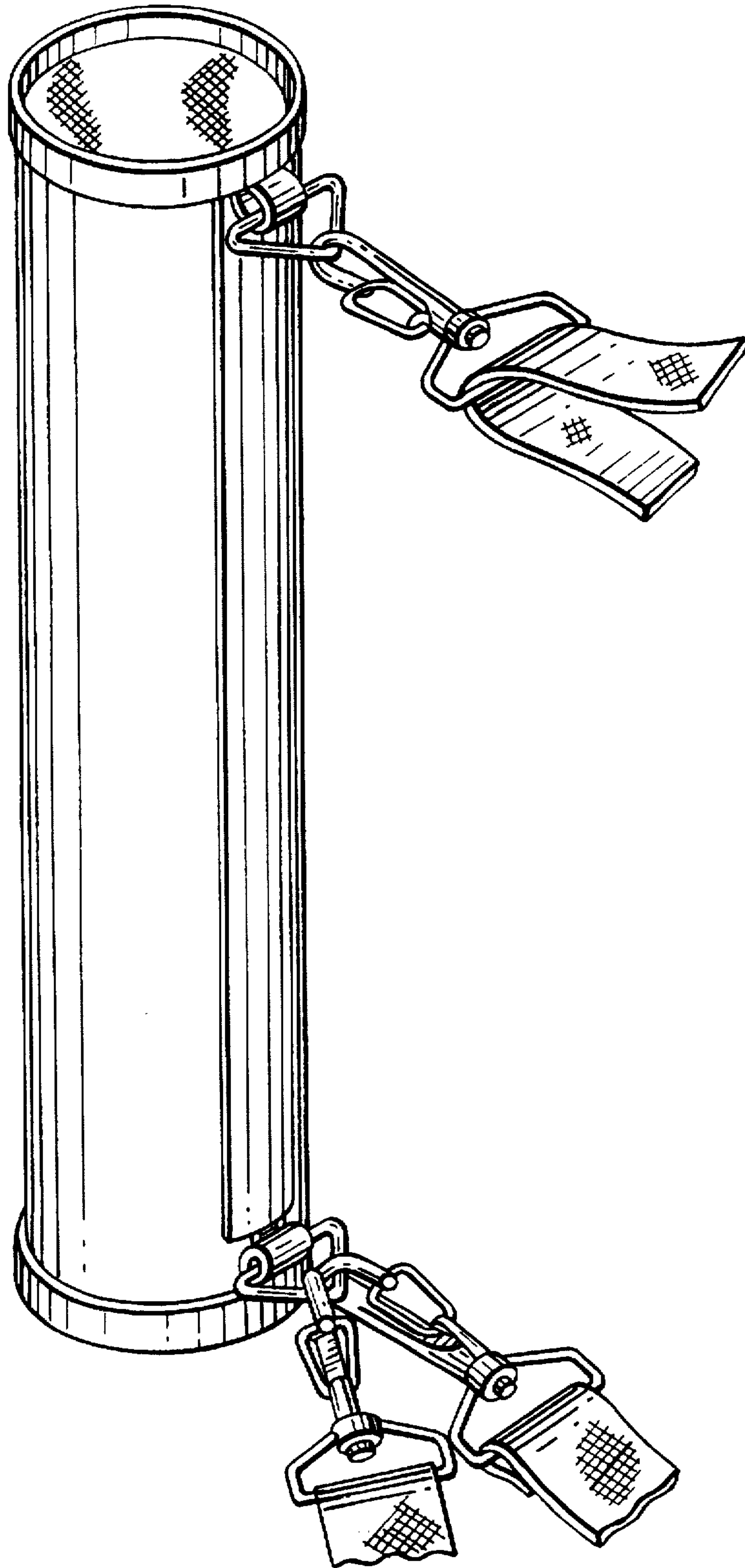
*FIG. 7*



*FIG. 8*



*FIG. 9*





*FIG. 10*

