



US00D391734S

United States Patent [19]
Melgey

[11] **Patent Number:** **Des. 391,734**
[45] **Date of Patent:** ****Mar. 3, 1998**

[54] **CART FOR TRANSPORTING HARVESTED DEER**

D. 327,968 7/1992 Wright D34/12
D. 363,585 10/1995 Crossman et al. D34/12

[76] **Inventor:** **John A. Melgey**, 366 Beach Pond Rd.,
Voluntown, Conn. 06384

Primary Examiner—Kay H. Chin

[**] **Term:** **14 Years**

[57] **CLAIM**

The ornamental design for a cart for transporting harvested deer, as shown and described.

[21] **Appl. No.:** **68,263**

DESCRIPTION

[22] **Filed:** **Mar. 24, 1997**

FIG. 1 is a front elevational view of the cart for transporting harvested deer showing my new design;

[51] **LOC (6) Cl.** **12-02**

FIG. 2 is a rear elevational view thereof;

[52] **U.S. Cl.** **D34/24; D34/12**

FIG. 3 is a right side view thereof;

[58] **Field of Search** **D34/12-27; 280/47.3.**
280/47.26, 47.24, 47.131; 296/20

FIG. 4 is a left side view thereof;

FIG. 5 is a top plan view thereof; and,

FIG. 6 is a bottom plan view thereof.

[56] **References Cited**

U.S. PATENT DOCUMENTS

D. 223,343 4/1972 Kirkpatrick D34/24

1 Claim, 3 Drawing Sheets

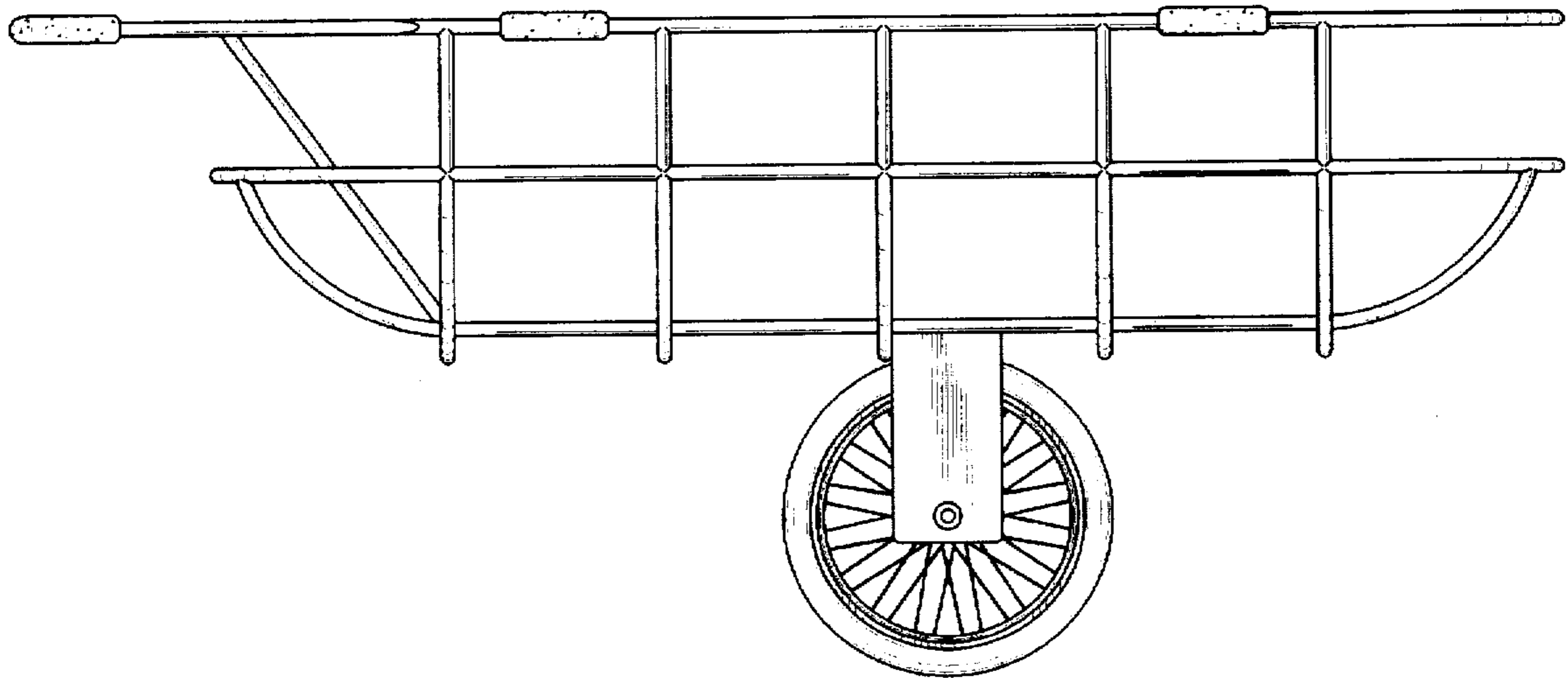


FIG. 1

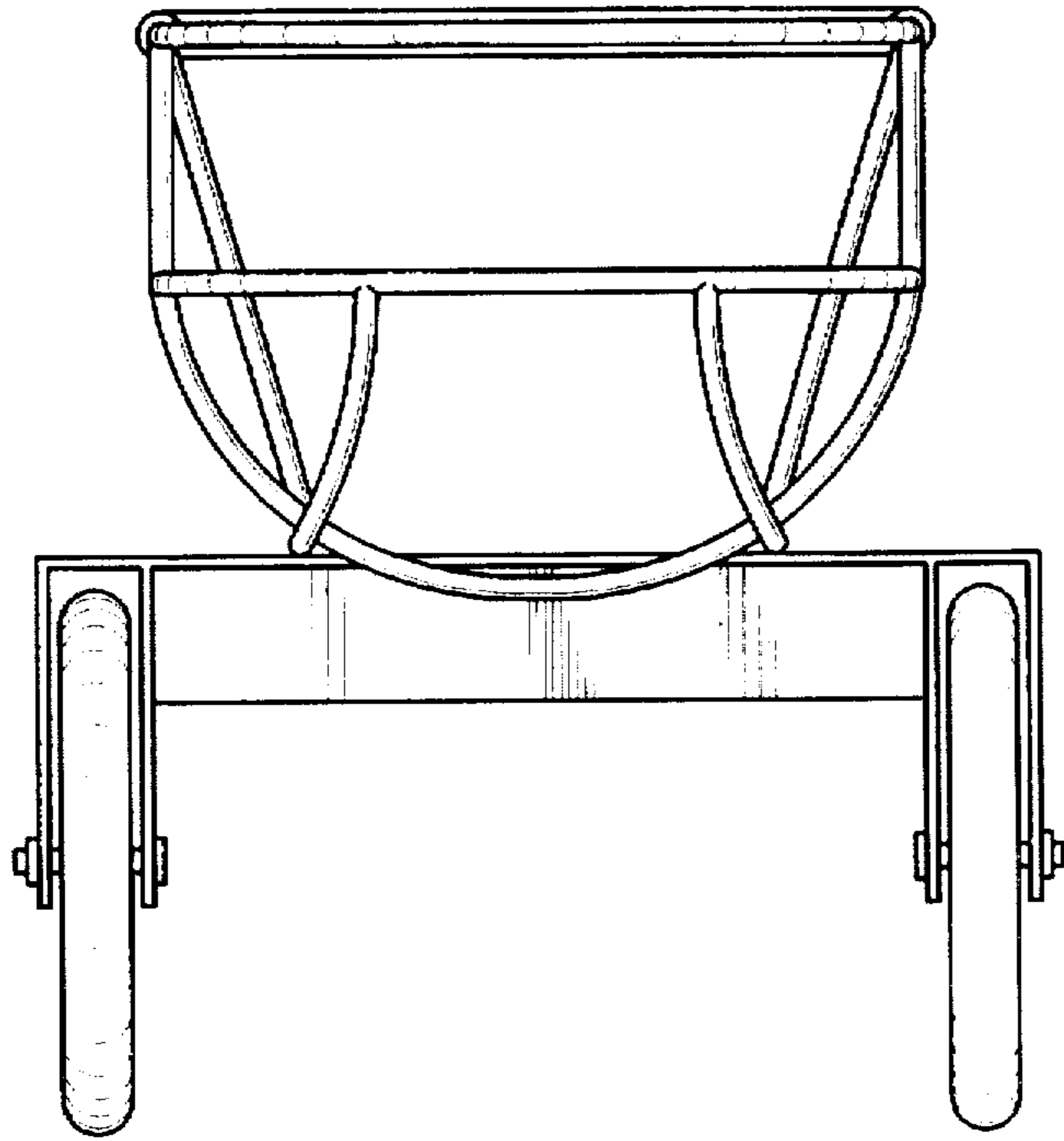


FIG. 2

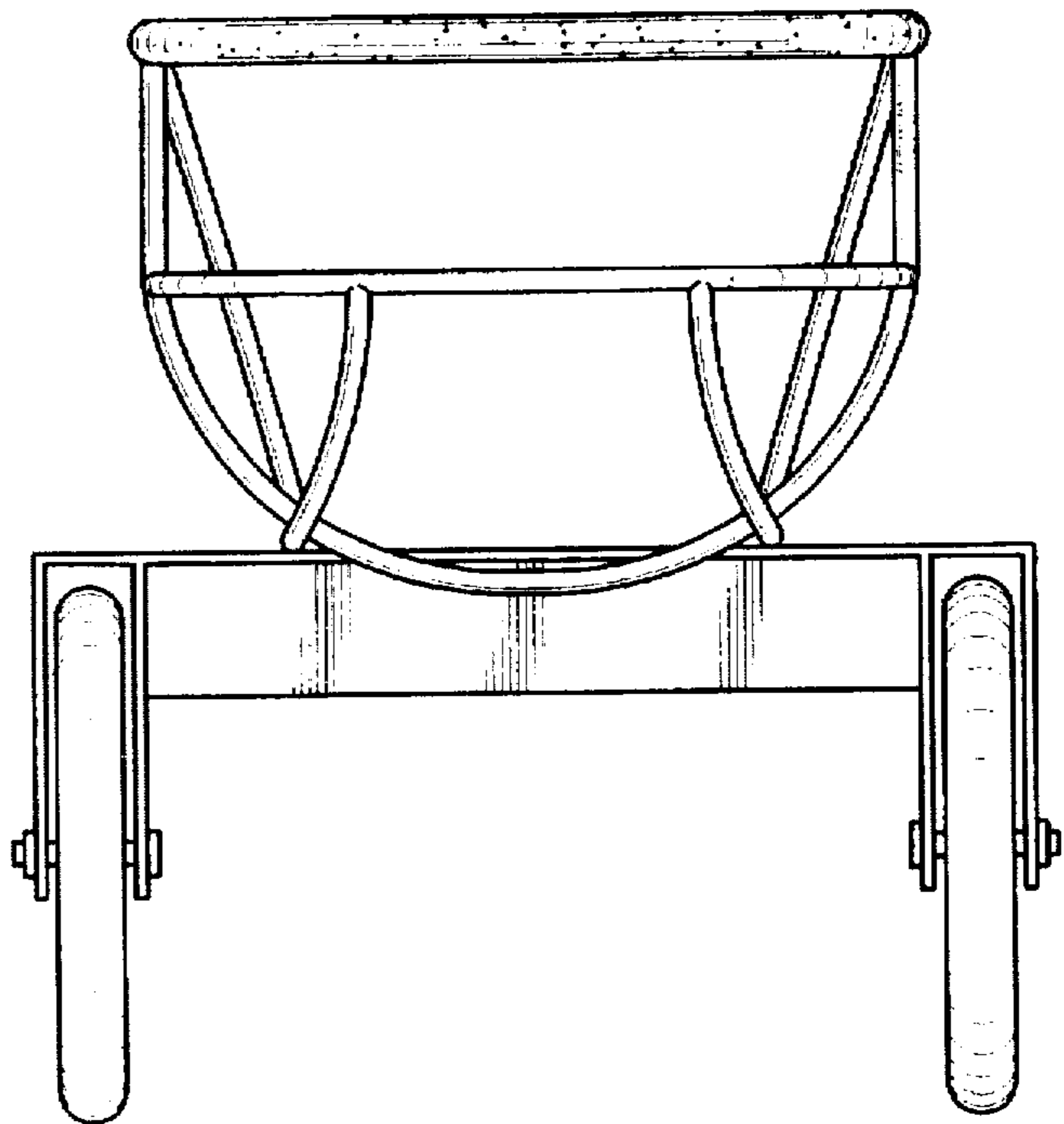


FIG. 3

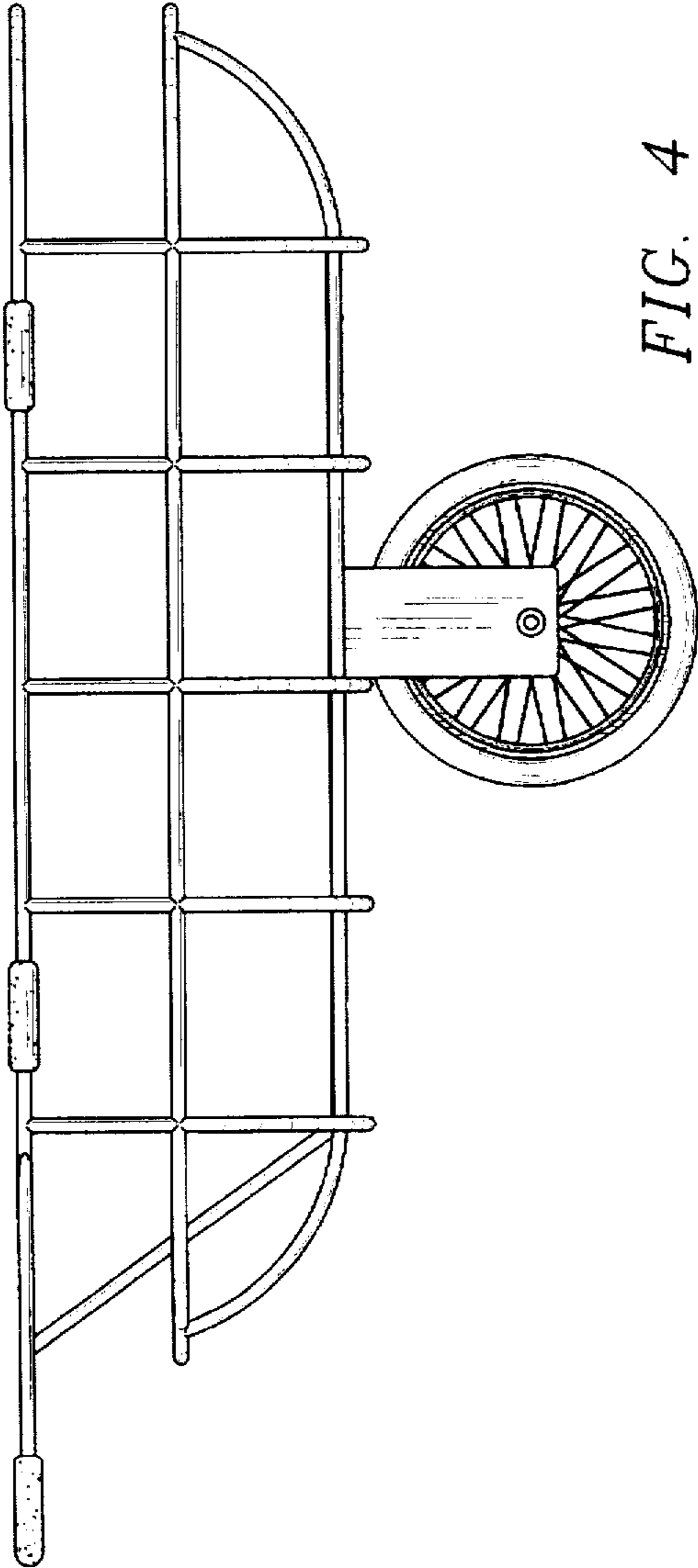


FIG. 4

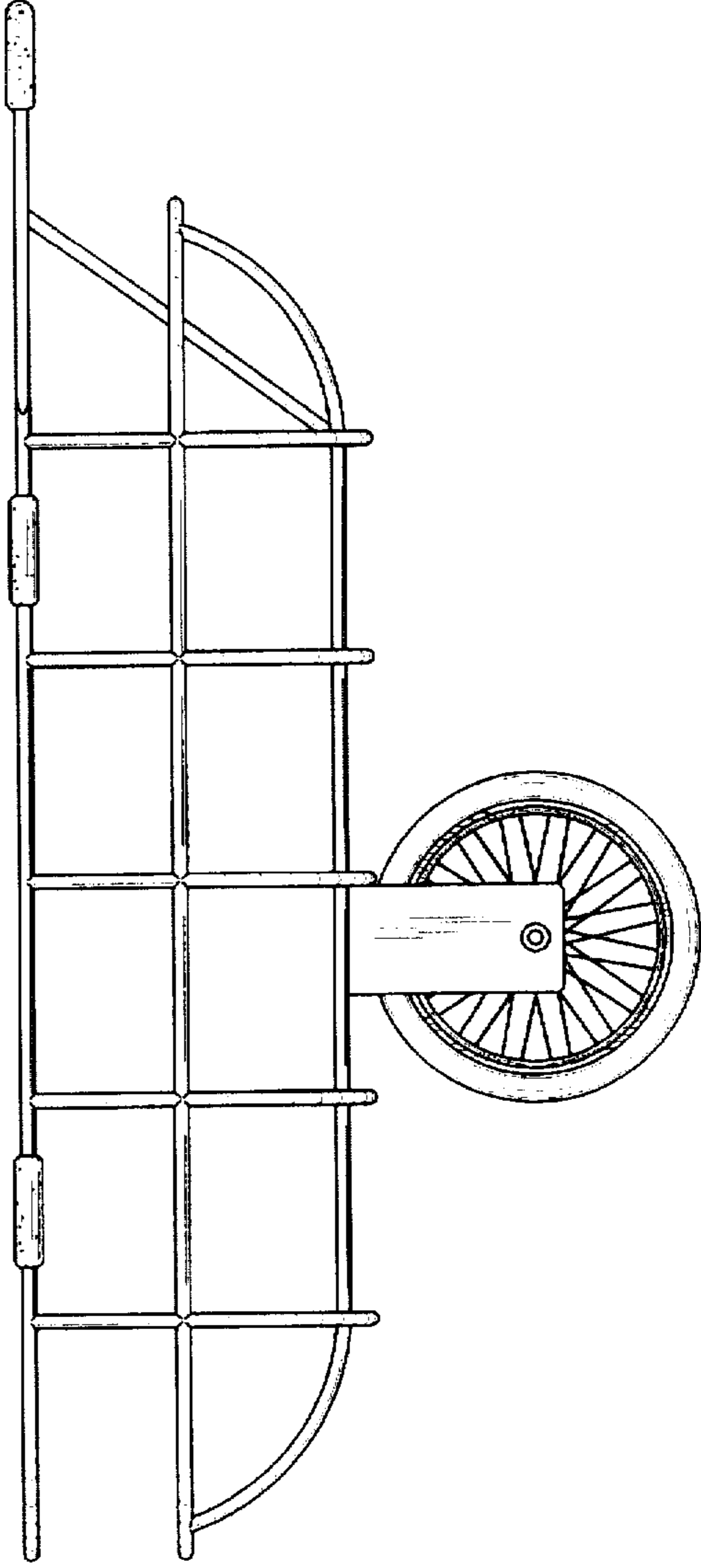


FIG. 5

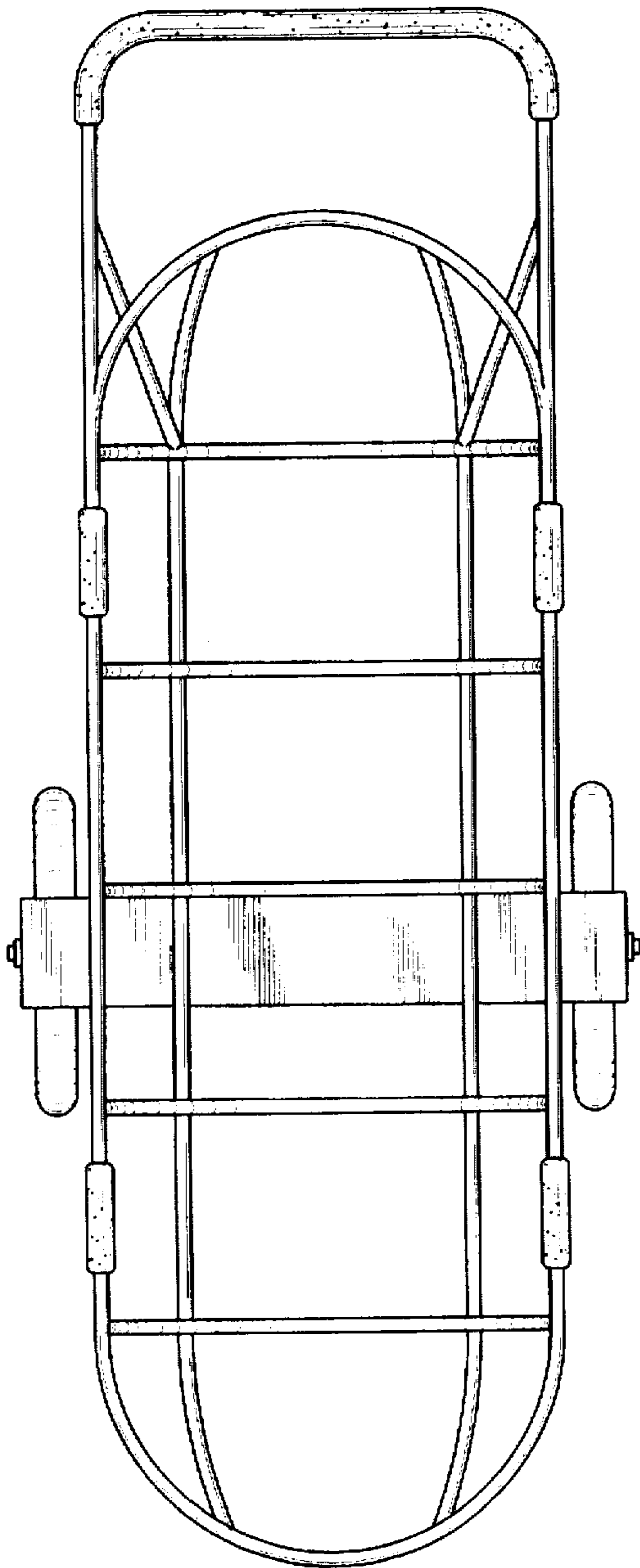


FIG. 6

