



US00D391732S

**United States Patent** [19]  
**Spear et al.**

[11] **Patent Number:** **Des. 391,732**  
[45] **Date of Patent:** **\*\*Mar. 3, 1998**

[54] **GARDEN WAGON**

[75] **Inventors:** **Kenneth J. Spear**, Vienna; **Rudy F. Planthaber**, Mineral Wells, both of W. Va.; **Steven F. Brooker**, Marietta, Ohio

[73] **Assignee:** **O. Ames Co.**, Parkersburg, W. Va.

[\*\*] **Term:** **14 Years**

[21] **Appl. No.:** **69,607**

[22] **Filed:** **May 5, 1997**

[51] **LOC (6) Cl.** ..... **12-02**

[52] **U.S. Cl.** ..... **D34/19; D34/17**

[58] **Field of Search** ..... **D34/12-27; 280/32.5, 280/32.6, 79.11, 47.34, 656, 30, 639**

[56] **References Cited**

**U.S. PATENT DOCUMENTS**

D. 302,617	8/1989	Raymond	.....	D34/19
D. 365,905	1/1996	Yemini	.....	D34/19
D. 367,347	2/1996	Moudrianakis	.....	D34/17
5,413,361	5/1995	Mosher	.....	D34/19

*Primary Examiner*—Kay H. Chin  
*Attorney, Agent, or Firm*—Cushman Darby & Cushman IP Group of Pillsbury Madison & Sutro LLP

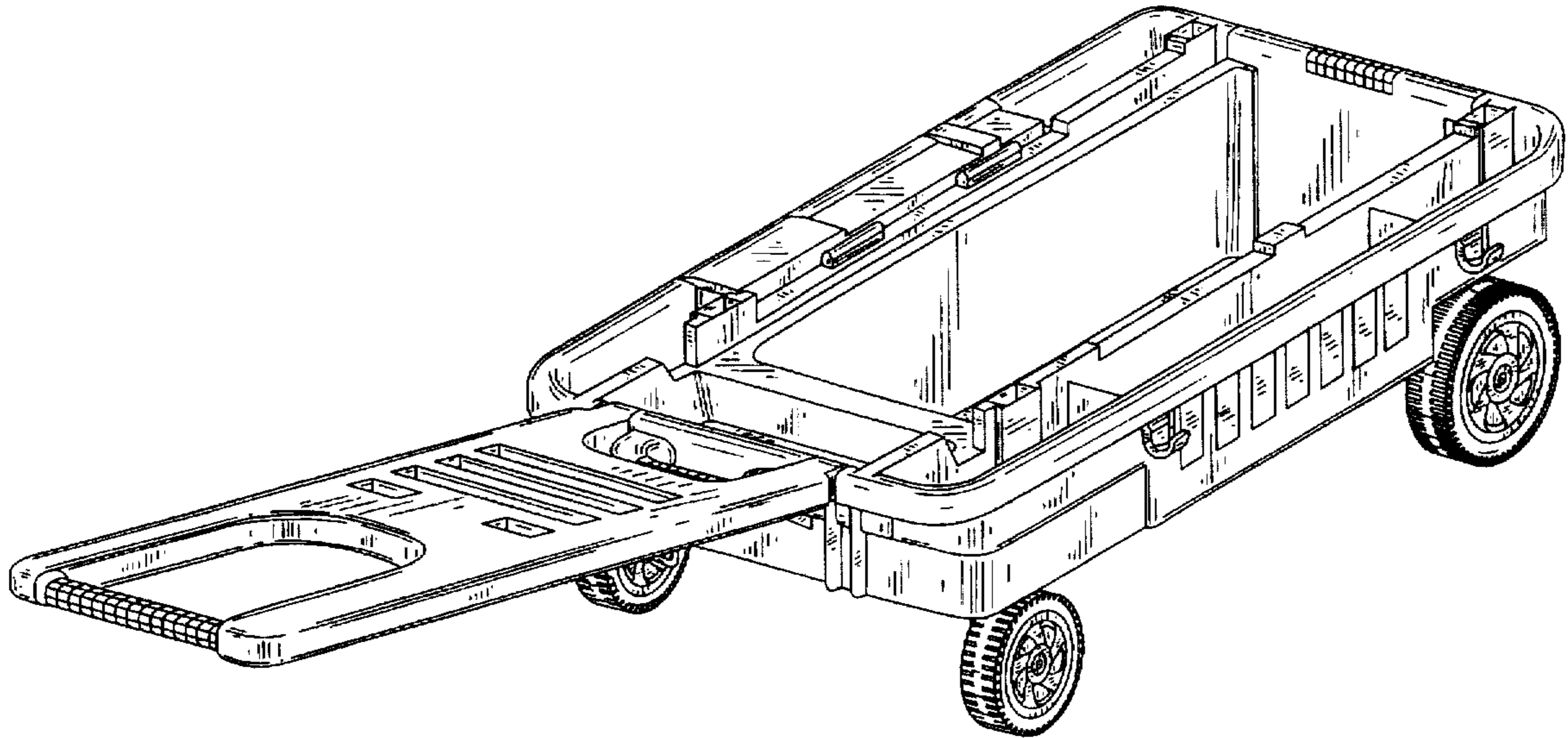
[57] **CLAIM**

The ornamental design for a garden wagon, as shown and described.

**DESCRIPTION**

FIG. 1 is a front perspective view of a garden wagon embodying our new design, showing the same with the draft tongue in a haulage condition;  
FIG. 2 is a top plan view thereof;  
FIG. 3 is a bottom plan view thereof;  
FIG. 4 is a right hand side elevational view thereof;  
FIG. 5 is a left hand side elevational view thereof;  
FIG. 6 is a front elevational view;  
FIG. 7 is a rear elevational view; and  
FIG. 8 is a rear perspective view showing the draft tongue in a storage or seat establishing position.

**1 Claim, 7 Drawing Sheets**



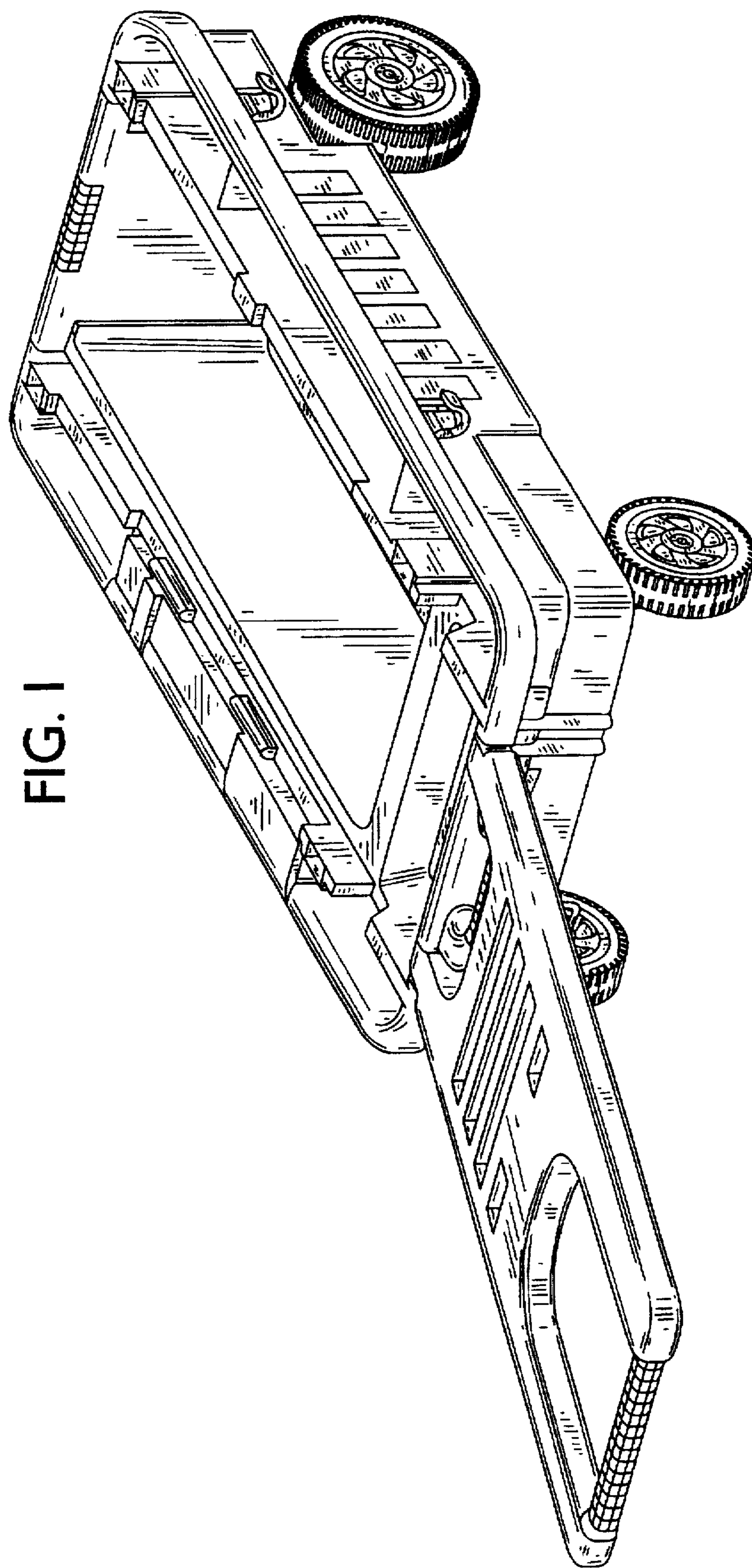


FIG. 1

FIG. 2

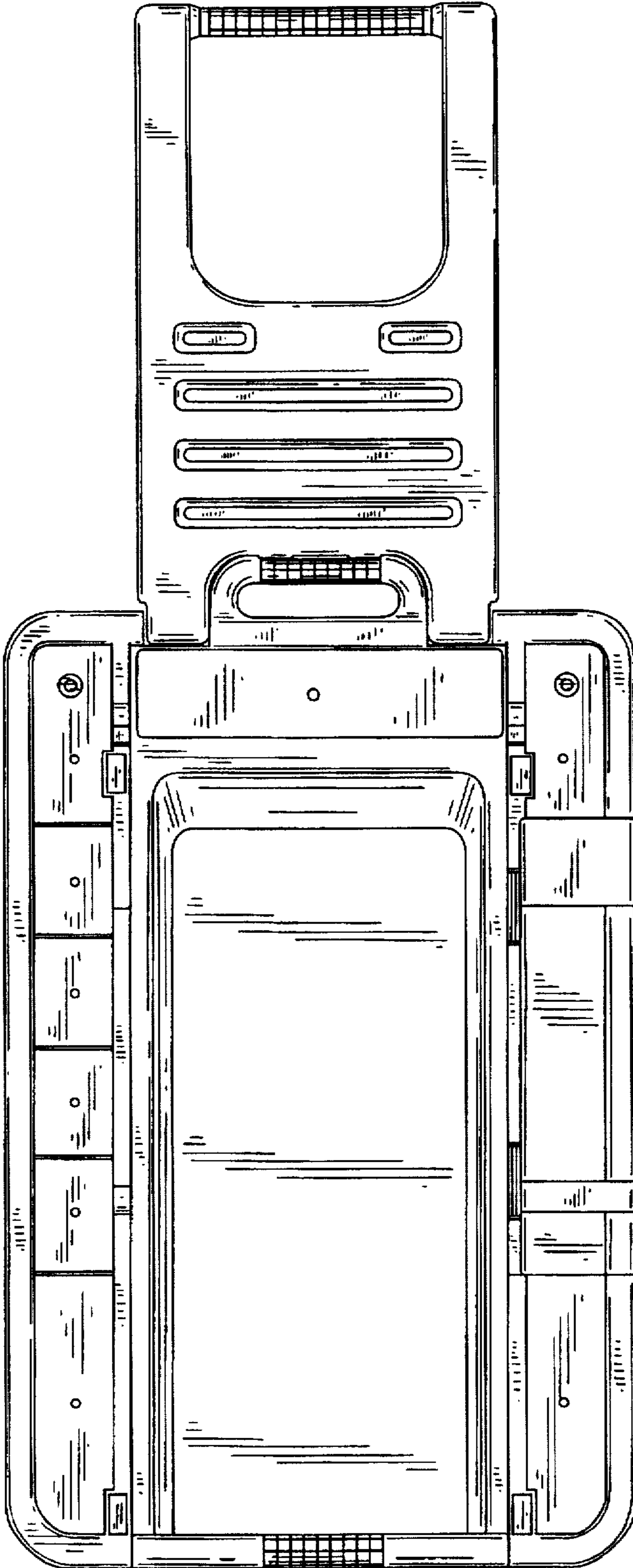


FIG. 3

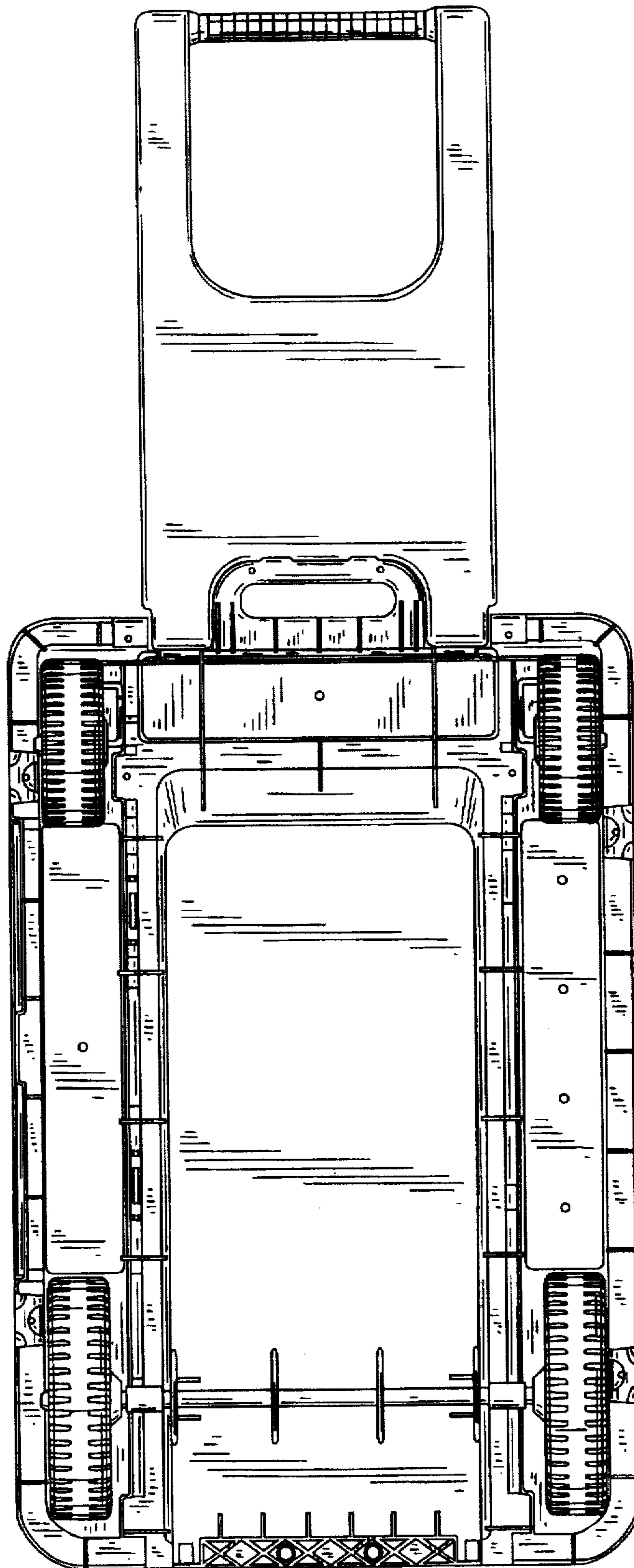
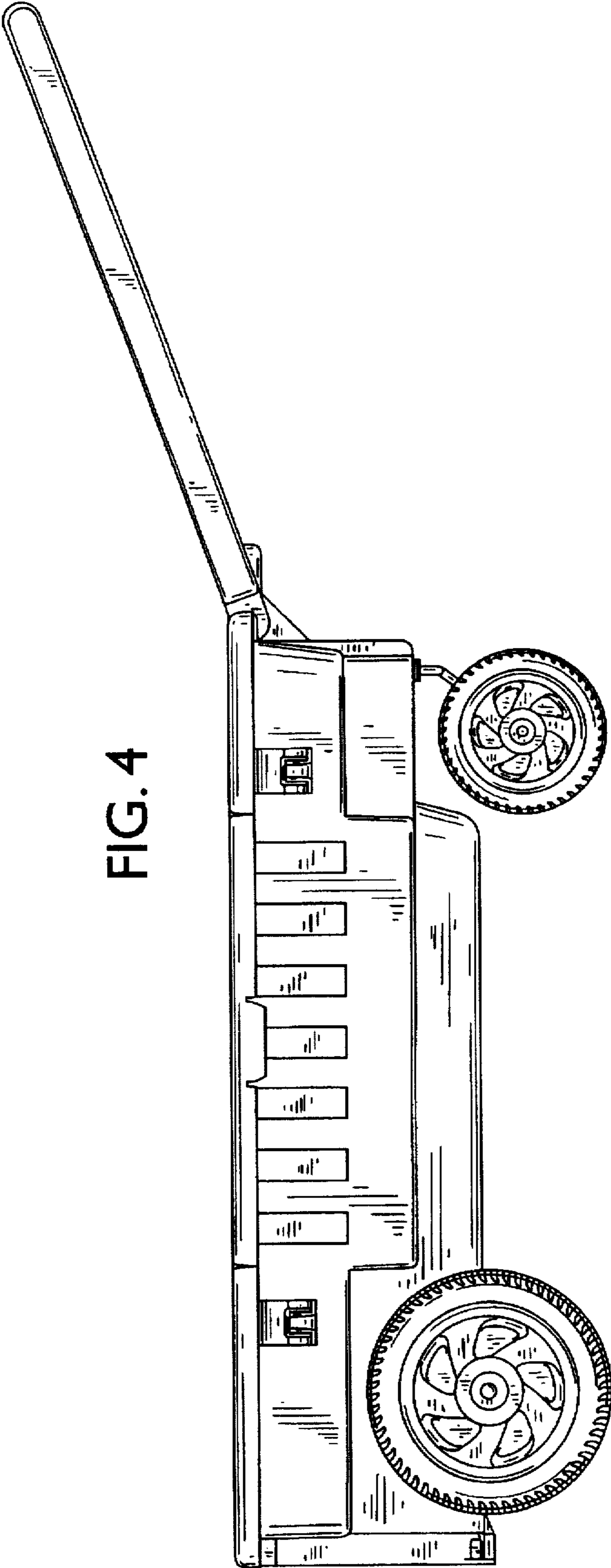


FIG. 4



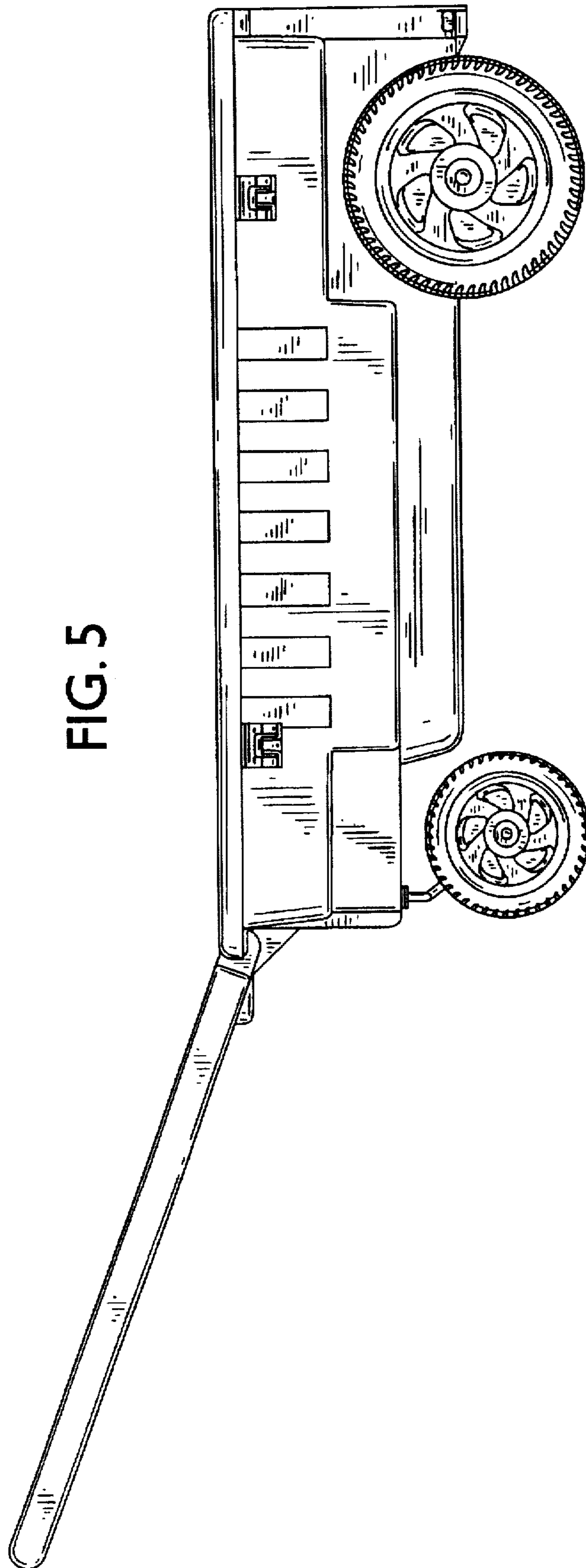


FIG. 5

FIG. 6

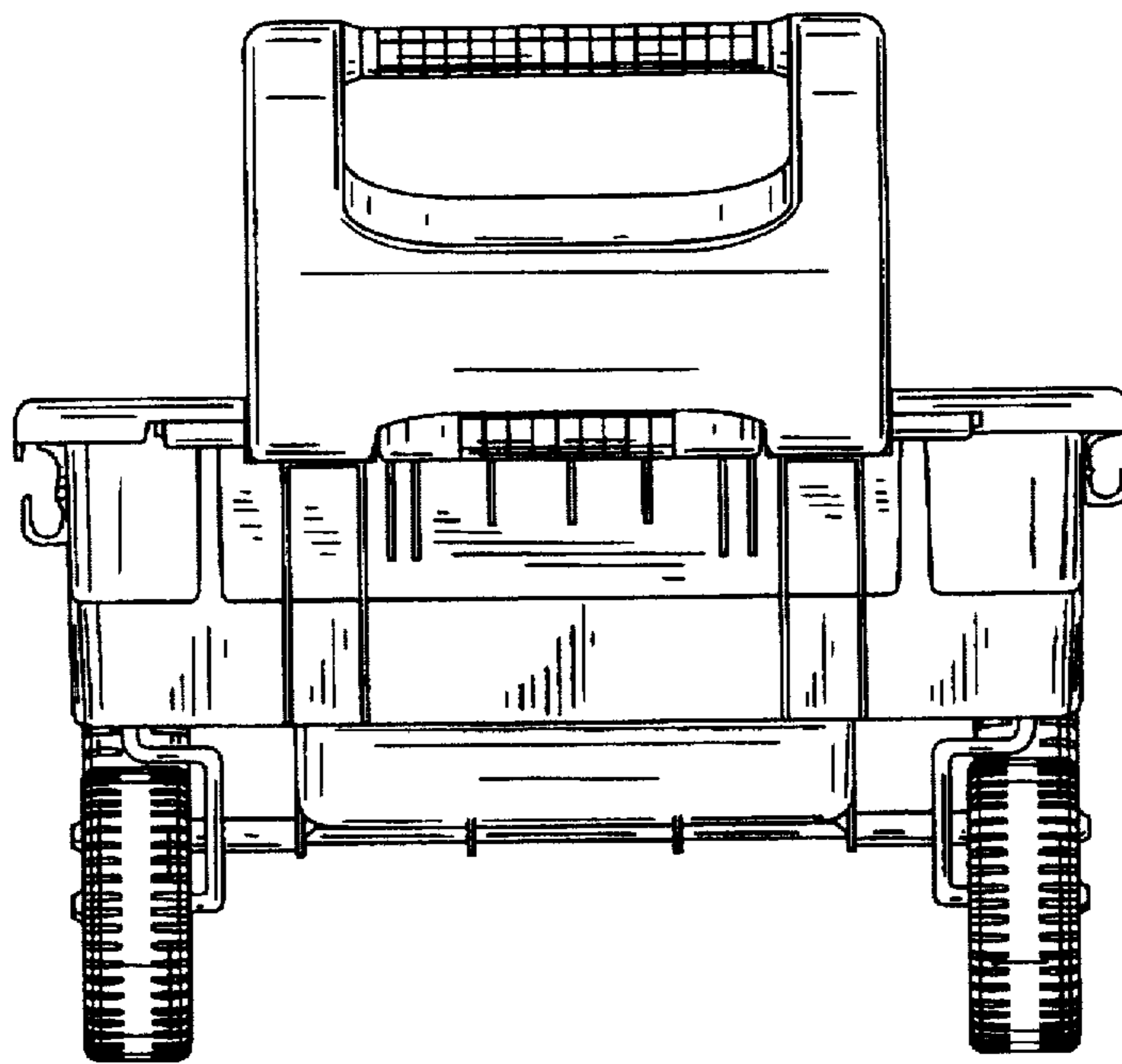


FIG. 7

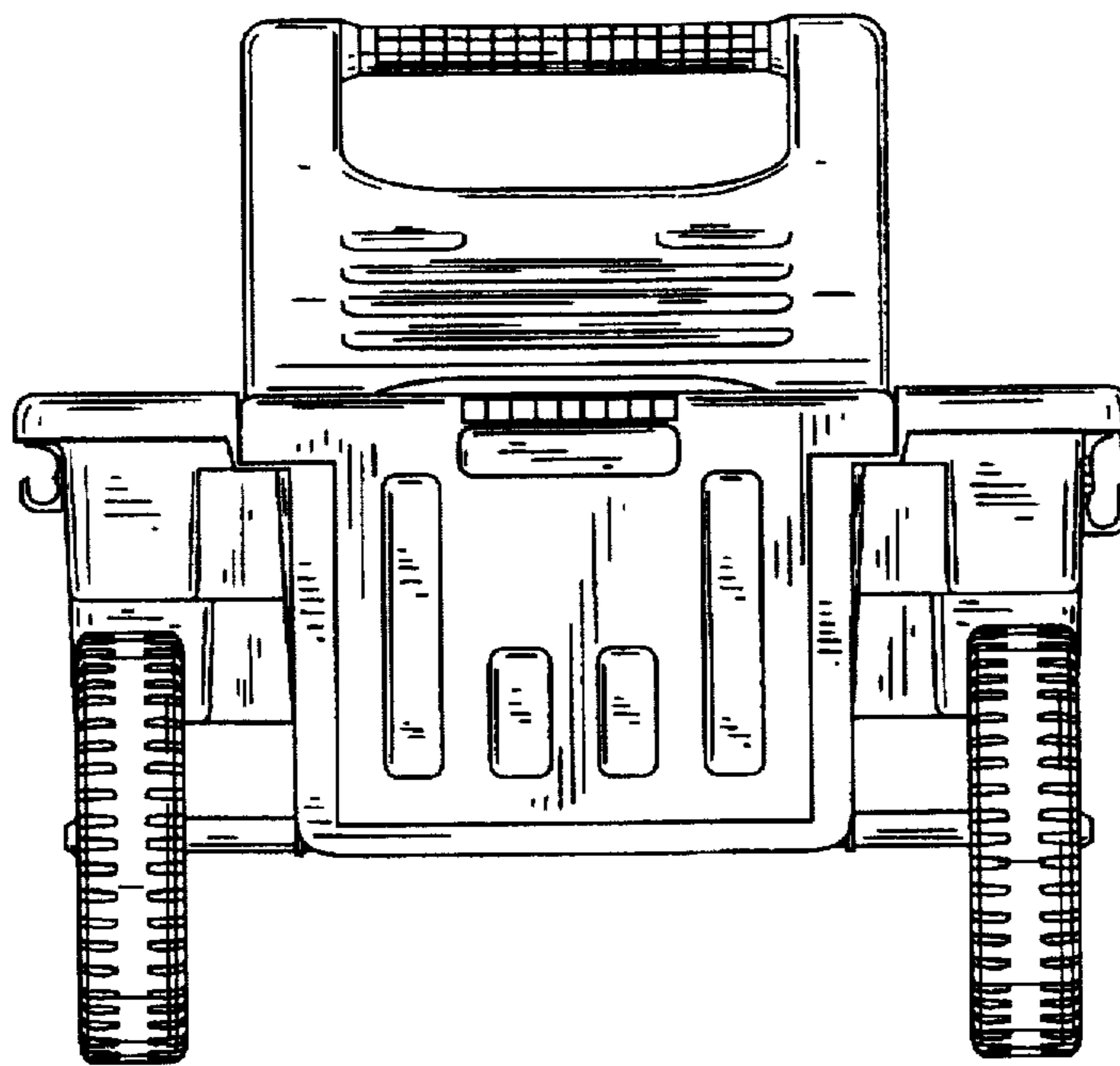


FIG. 8

