



US00D391730S

United States Patent [19]

Wang

[11] Patent Number: **Des. 391,730**

[45] Date of Patent: ****Mar. 3, 1998**

[54] **UTILITY TRAY FOR GOLF CLUB CARTS**

[76] Inventor: **Jessie Li-Kuo Wang**, 46980 Ocotillo Ct., Fremont, Calif. 94539

[**] Term: **14 Years**

[21] Appl. No.: **61,430**

[22] Filed: **Oct. 21, 1996**

[51] LOC (6) Cl. **12-02**

[52] U.S. Cl. **D34/15**

[58] Field of Search D21/288, 234;
D34/27; 280/646, DIG. 6, DIG. 5, 33.991,
33.992

[56] **References Cited**

U.S. PATENT DOCUMENTS

D. 165,661	1/1952	Morris	D34/15 X
D. 178,123	6/1956	Harke	D34/15 X
D. 183,339	8/1958	Baile	D34/15 X
D. 191,750	11/1961	Exline	D34/15 X
D. 195,472	6/1963	Zimmers	D34/15 X
2,782,971	2/1957	Hershey	.	
3,062,422	11/1962	Lord	.	
3,128,021	4/1964	Habbena	.	
5,435,474	7/1995	Lin	.	

Primary Examiner—Susan J. Lucas
Assistant Examiner—Cynthia E. Ramirez
Attorney, Agent, or Firm—Linval B. Castle

[57] **CLAIM**

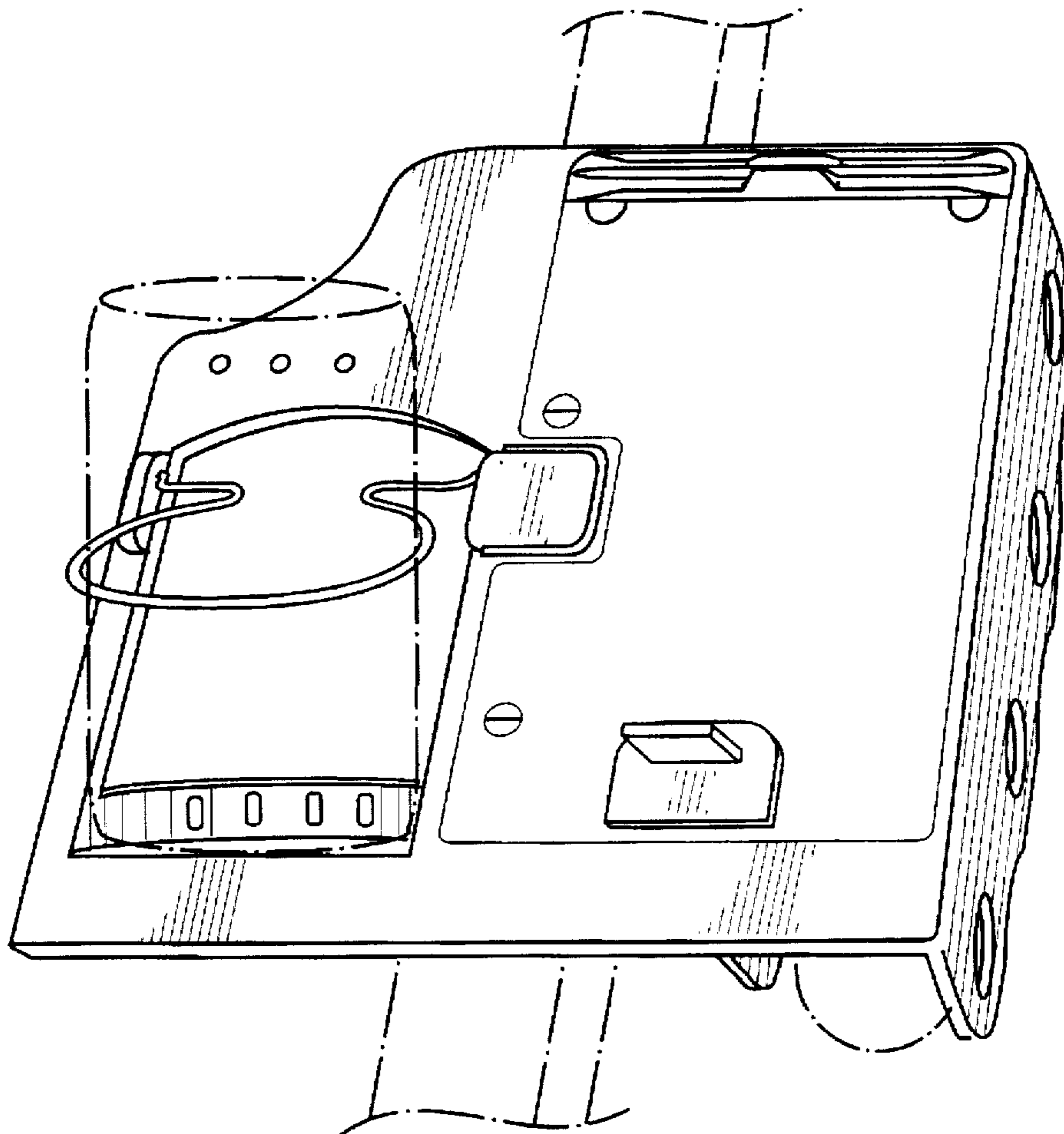
The ornamental design for a utility tray for golf club carts, as shown and described.

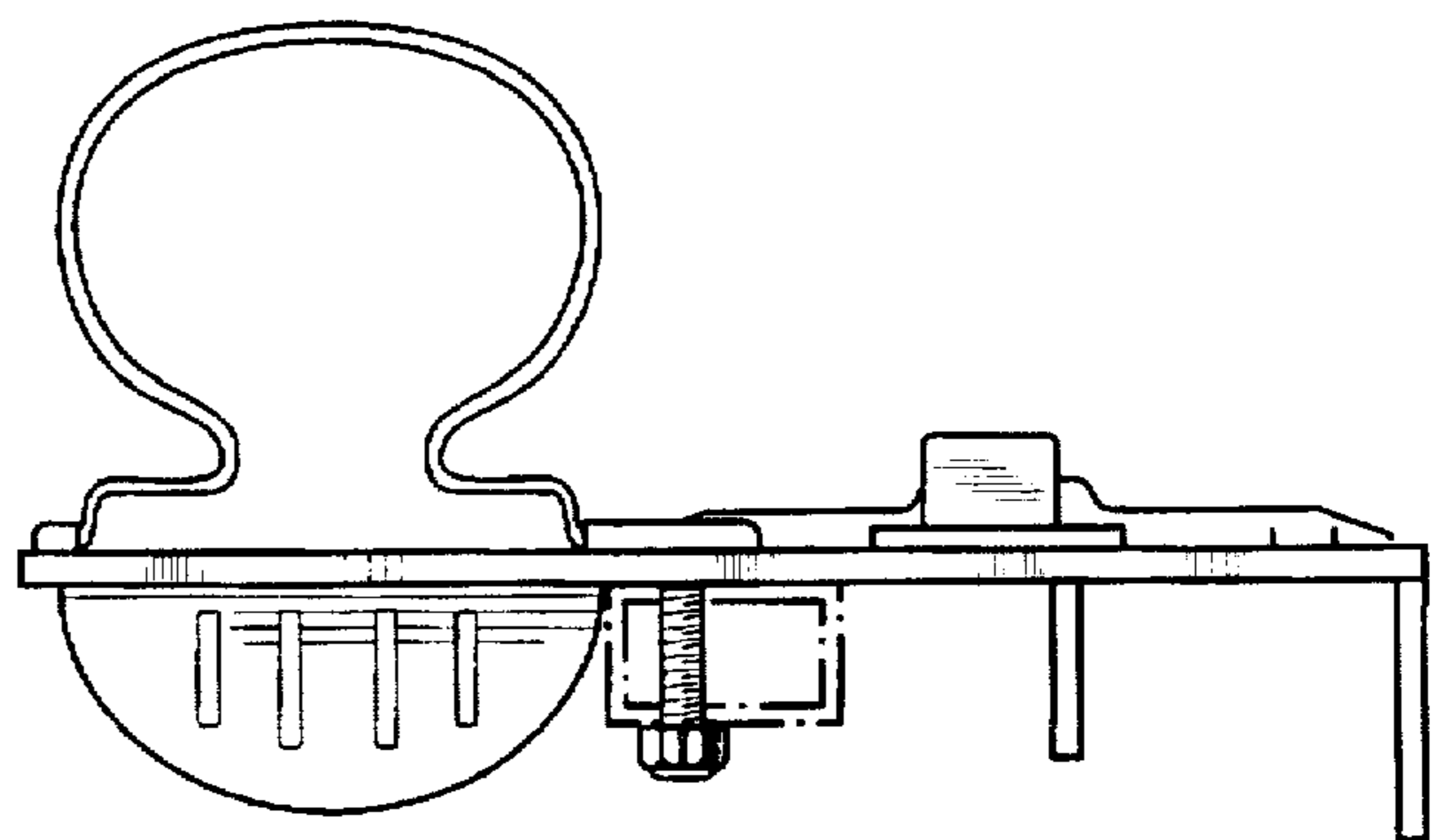
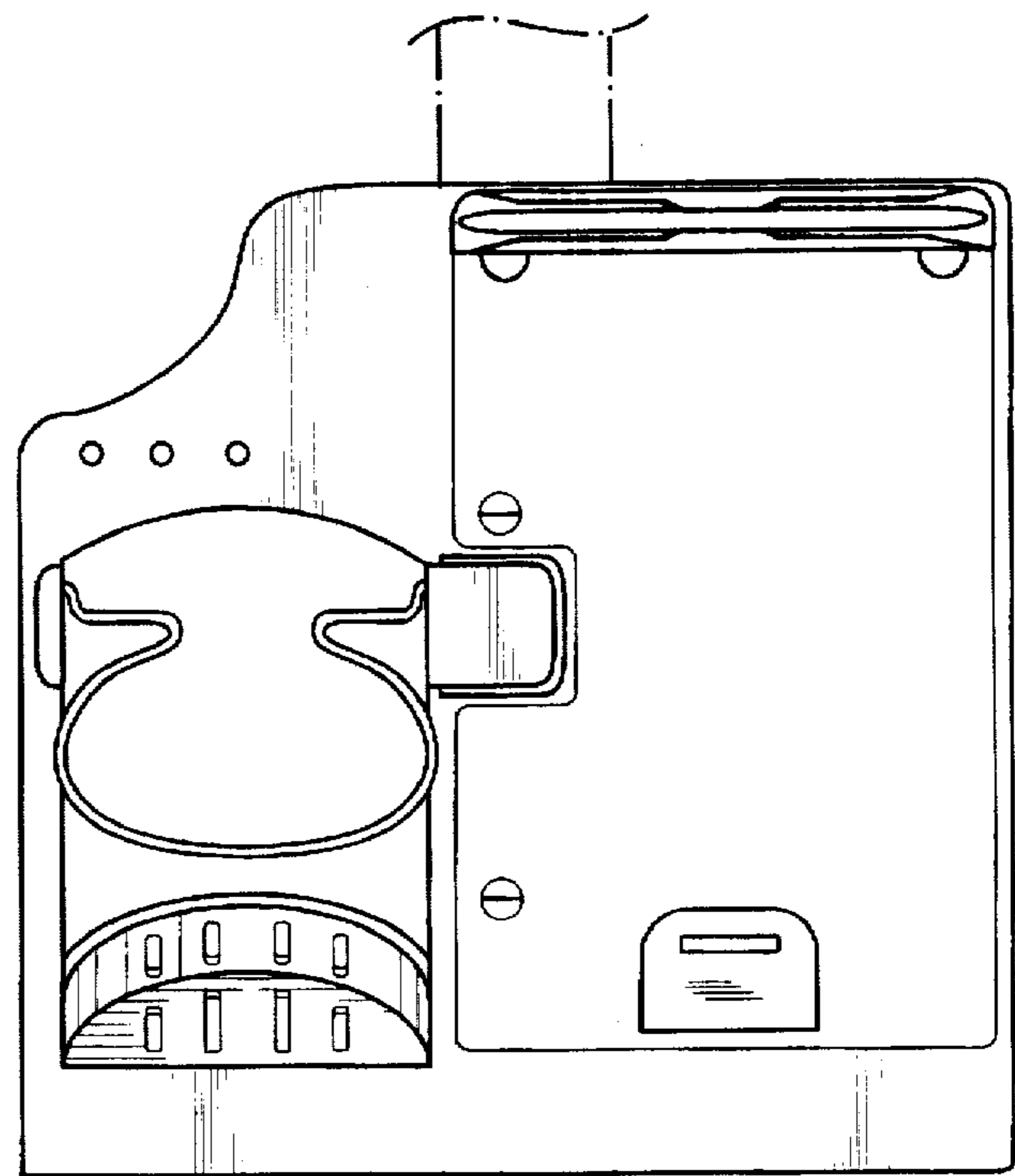
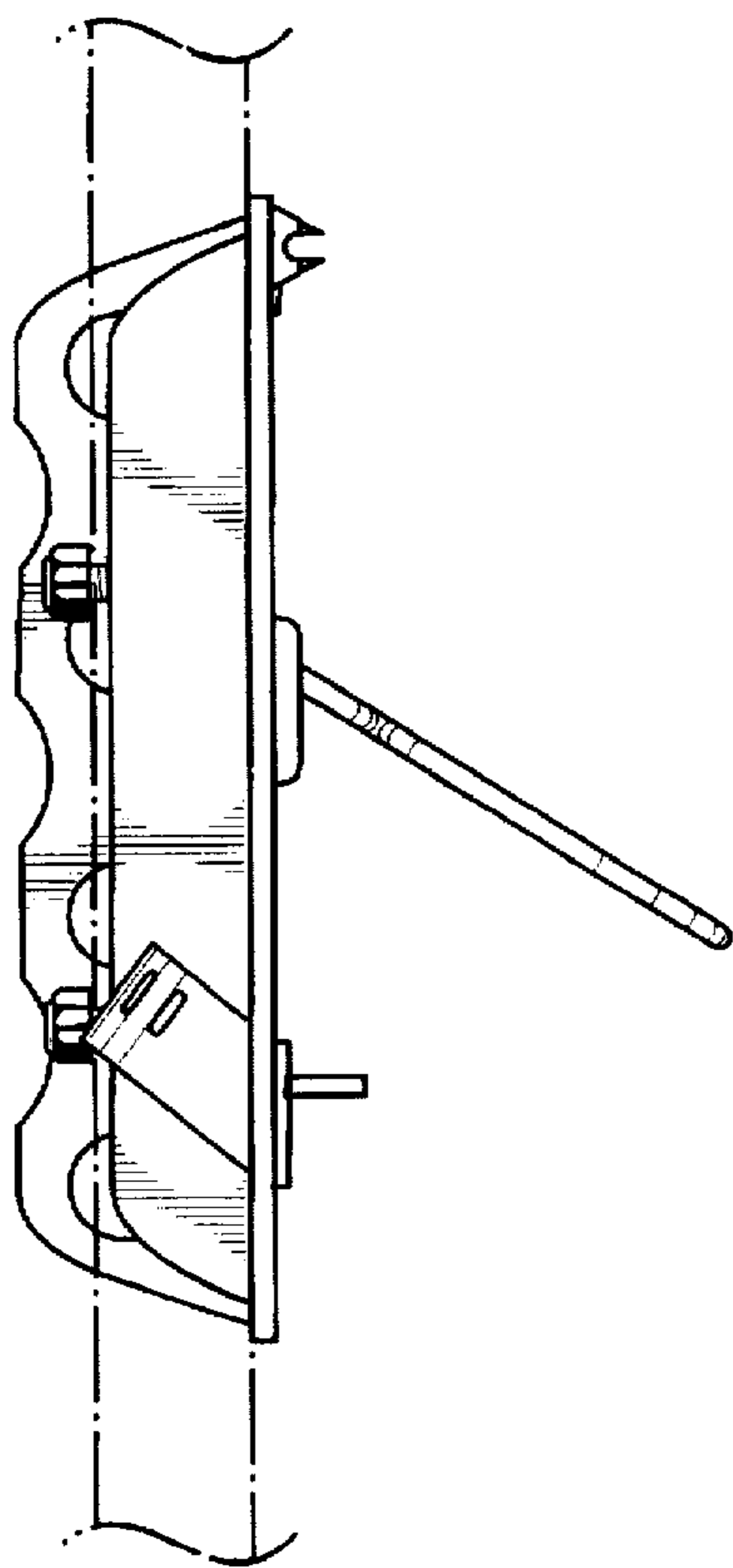
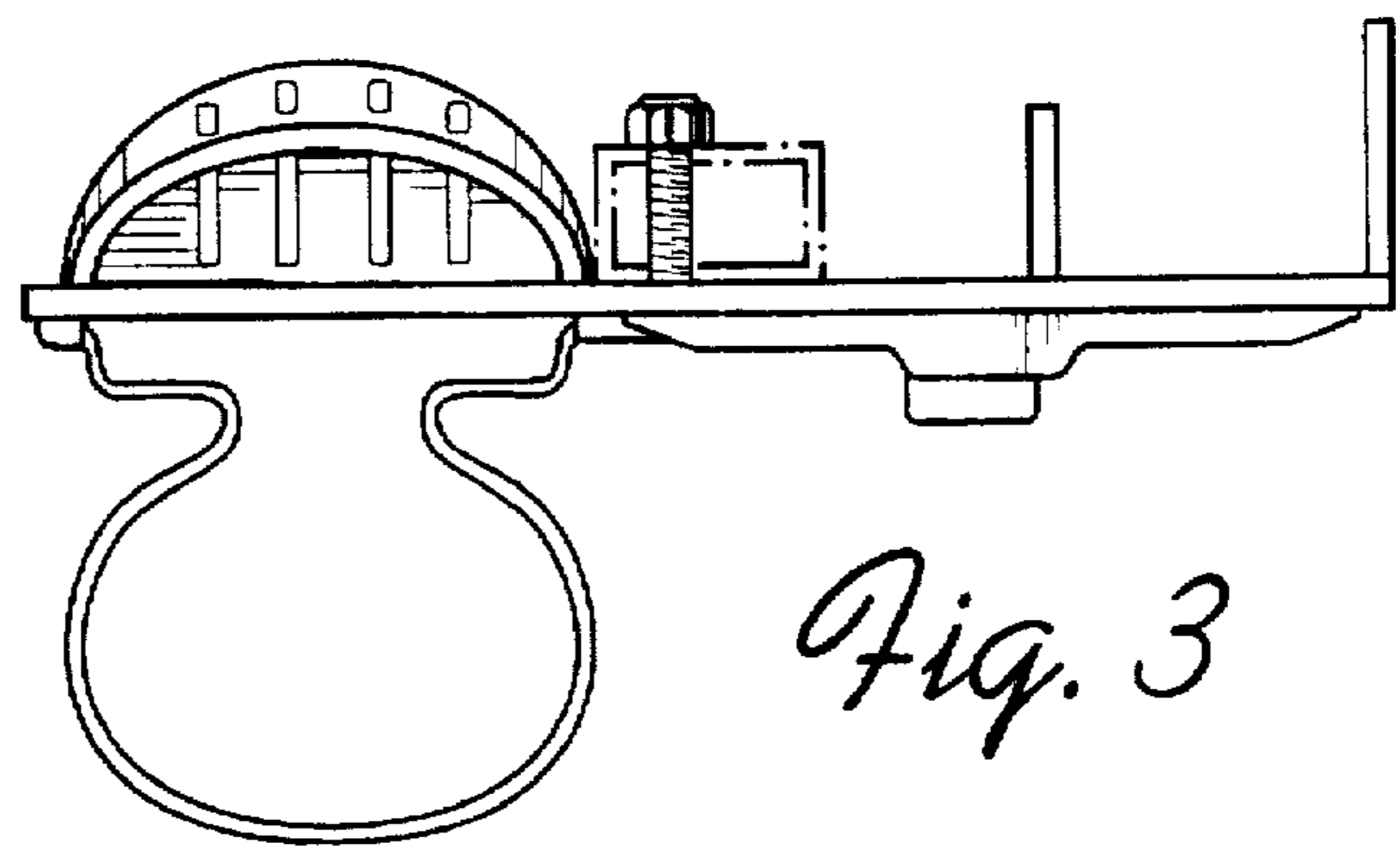
DESCRIPTION

FIG. 1 is a front elevational view of an utility tray for golf club carts showing my new design;
 FIG. 2 is a left side view thereof;
 FIG. 3 is a top plan view thereof;
 FIG. 4 is a bottom plan view thereof;
 FIG. 5 is a rear elevational view thereof;
 FIG. 6 is a right side view thereof;
 FIG. 7 is a front perspective view thereof showing a drink can and golf balls by broken lines; and,
 FIG. 8 is a rear perspective view thereof showing golf balls under the tray by broken lines.

The broken line disclosing various components is for illustrative purposes only and forms no part of the claimed design.

1 Claim, 3 Drawing Sheets





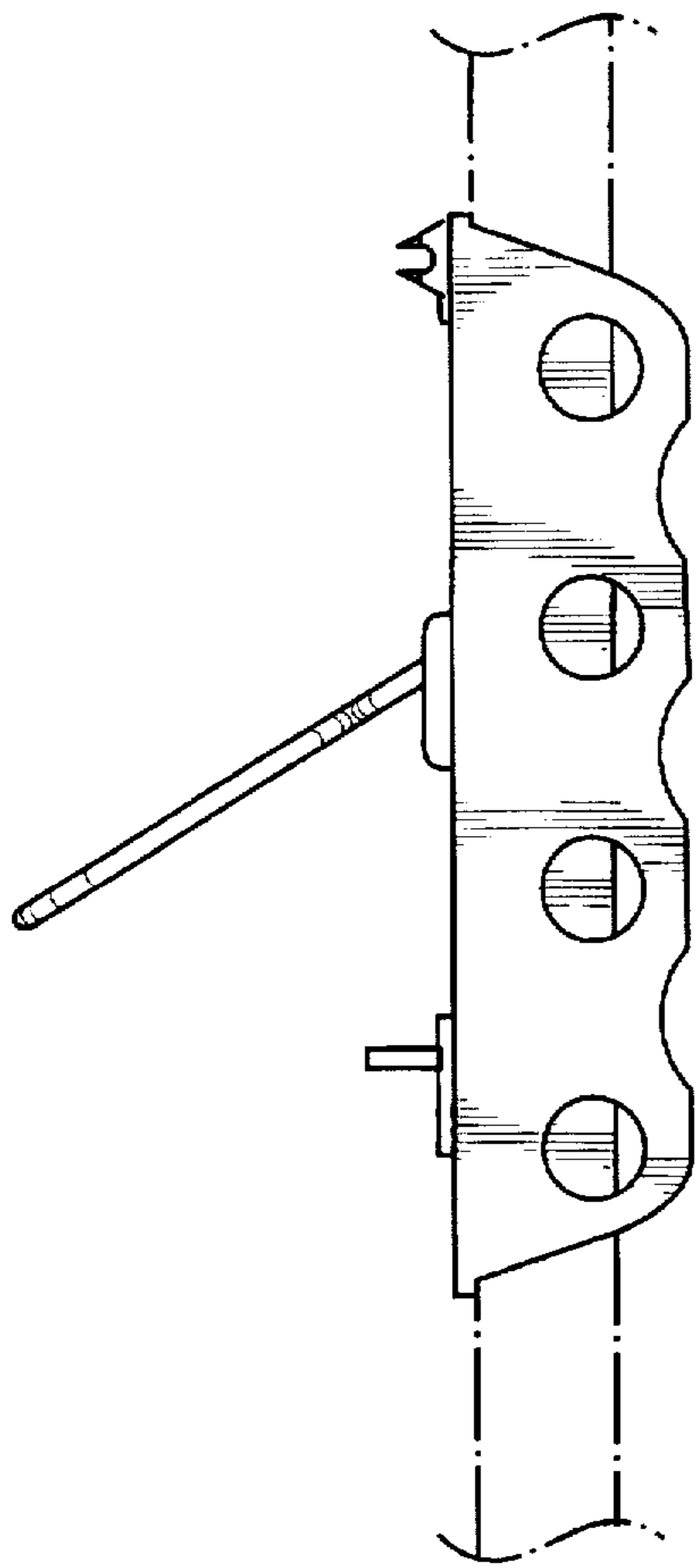


Fig. 6

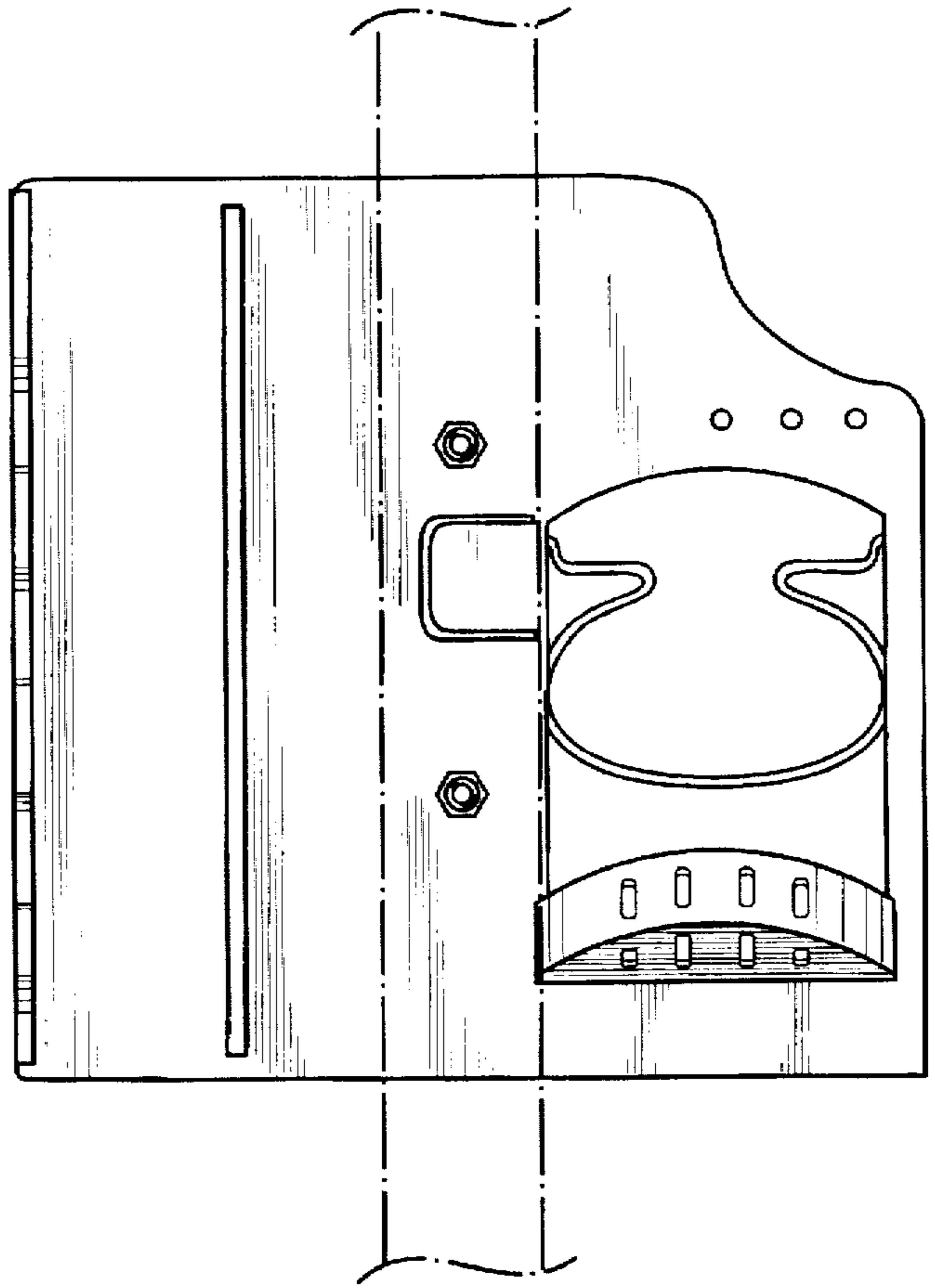


Fig. 5

