



US00D391729S

**United States Patent** [19]  
**Delmerico**

[11] **Patent Number:** **Des. 391,729**  
[45] **Date of Patent:** **\*\*Mar. 3, 1998**

- [54] **LID FOR REFUSE CONTAINER**
- [75] **Inventor:** **Paul E. Delmerico**, Winchester, Va.
- [73] **Assignee:** **Rubbermaid Commercial Products Inc.**, Winchester, Va.
- [\*\*] **Term:** **14 Years**
- [21] **Appl. No.:** **67,787**
- [22] **Filed:** **Mar. 11, 1997**
- [51] **LOC (6) Cl.** ..... **09-09**
- [52] **U.S. Cl.** ..... **D34/11; 220/908**
- [58] **Field of Search** ..... **D34/1, 5-7, 10, D34/11; 220/908-911, 252, 254, 260, 263**

4,860,910	8/1989	Zipper	.....	200/1 T
4,905,853	3/1990	Strawder	.....	200/1 T
5,022,548	6/1991	Stakis	.....	220/23.83
5,172,823	12/1992	Moetteli	.....	220/334

**OTHER PUBLICATIONS**

Pp. 3, 5, 6, 7; Lid for refuse container; Continental Manufacturing Company, A division of Contico International, Inc. 123 Byassee Dr., Hazelwood, Missouri 63042. Publication date Oct., 1994.  
 Catalog Page, Lid for refuse container; Frem Corporation, 60 Webster Place, P.O. Box 4, Worcester, MA 01603-0004. Publication date, May 1, 1991.

(List continued on next page.)

*Primary Examiner*—Kay H. Chin  
*Assistant Examiner*—Robin V. Taylor  
*Attorney, Agent, or Firm*—Richard B. O’Planick; Lisa B. Riedesel

[56] **References Cited**

**U.S. PATENT DOCUMENTS**

D. 126,632	4/1941	Perkins	.....	D34/11
D. 231,426	4/1974	Mele et al.	.....	D34/11
D. 233,127	10/1974	Karn, Jr.	.....	D7/194
D. 271,248	11/1983	Maza et al.	.....	D34/8
D. 276,753	12/1984	Maza et al.	.....	D34/11
D. 280,459	9/1985	McClelland	.....	D34/8
D. 280,857	10/1985	Fuller et al.	.....	D34/11
D. 281,111	10/1985	McClelland	.....	D34/8
D. 293,843	1/1988	Kroll et al.	.....	D34/8
D. 318,354	7/1991	Delmerico	.....	D34/7
D. 321,576	11/1991	Hradisky	.....	D34/8
D. 326,343	5/1992	Hradisky	.....	D34/7
D. 326,754	6/1992	Hradisky	.....	D34/7
D. 331,134	11/1992	Hradisky	.....	D34/11
D. 333,716	3/1993	Bird et al.	.....	D34/8
D. 338,763	8/1993	Marberger	.....	D34/7
D. 343,267	1/1994	Craft et al.	.....	D34/11
D. 351,705	10/1994	Bird et al.	.....	D34/11
D. 358,918	5/1995	Gale	.....	D34/11
D. 370,107	5/1996	Brightbill et al.	.....	D34/11
D. 370,108	5/1996	Brightbill et al.	.....	D34/11
1,646,623	10/1927	McConnell	.....	D34/11
3,083,859	4/1963	Gardiner	.....	220/30
3,219,227	11/1965	Deisner	.....	220/254
3,825,150	7/1974	Taylor	.....	220/63 R
3,904,218	9/1975	Kostle	.....	280/79.2
4,032,037	6/1977	Dubery et al.	.....	220/335
4,649,813	3/1987	Kehl	.....	100/227
4,776,478	10/1988	Miller et al.	.....	200/1 T

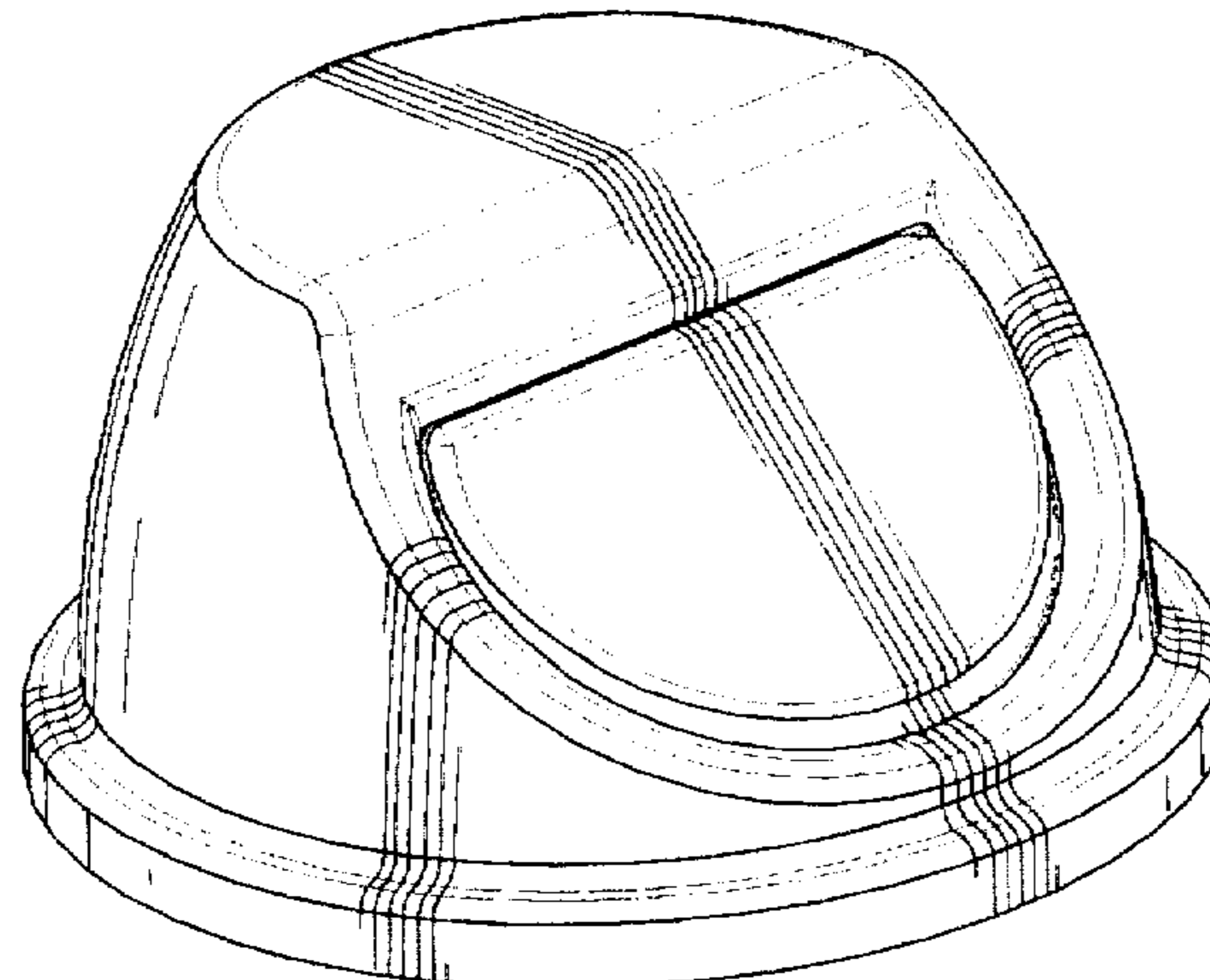
[57] **CLAIM**

The ornamental design for a lid for refuse container, as shown and described.

**DESCRIPTION**

FIG. 1 is a top left front perspective view of a lid for refuse container showing my new design;  
 FIG. 2 is a top plan view thereof;  
 FIG. 3 is a front elevational view thereof;  
 FIG. 4 is a left side elevational view thereof; the right side elevational view being a mirror image;  
 FIG. 5 is a rear elevational view thereof;  
 FIG. 6 is a bottom plan view thereof;  
 FIG. 7 is a top left front perspective view of the lid for refuse container, shown with the environmental unclaimed features removed;  
 FIG. 8 is a top plan view thereof, shown with the environmental unclaimed features removed;  
 FIG. 9 is a bottom plan view thereof, shown with the environmental unclaimed features removed.  
 The broken line drawing of an ashtray shown in FIGS. 1, 2 and 6 is for illustrative purposes only and forms no part of the claimed design.

**1 Claim, 9 Drawing Sheets**



OTHER PUBLICATIONS

Catalog Page, Lid for refuse container; Tamor Plastics Corp, Leominster, MA 01453. Publication date Jan. 1992.

Catalog page, Lid for refuse container; Sterilite Corporation, P.O. Box 524, Main Street, Townsend, MA. Publication date Jan. 17, 1990.

Catalog page, Lid for refuse container; Umbra, Paris Kitchens, Toronto. Publication date 1993.

Catalog page, Lid for refuse container; Placewares, 351 Congress Street, Boston, MA. 02210. Publication date 1990.

Catalog page, Lid for refuse container; F.H. Lawson Co., 801 Evans St., Cincinnati, OH 45204. Publication date 1987.

Catalog page, Lid for refuse container; Tucker Housewares, 25 Tucker Drive, Leominster, MA 01453. Publication date Sep. 1994.

P. 6, Lid for refuse container; Tucker Housewares, 25 Tucker Dr., Leominster, MA 01453. Publication date Aug. 1994.

P. 5, Lid for refuse container; Curver, address unknown. Publication data 1991.

P. 67, Lid for refuse container; Iwasaki Industry Inc., No. 26, Showa Kogyo Danchi, 1216-5, Nukatabe Kita-machi, Yamato-Koriyama, Nara, 639-11, Japan. Publication date 1990-91.

Pp. 8 & 9, Lid for refuse container; Rubbermaid Japan Inc., 136 Sakuragi, Mizuhashi, Toyama 939-05, Japan. Publication date Apr. 1995.

P. 6, Lid for refuse container; Dupol-Rubbermaid GmbH, An der Trift 63, D-6072 Dreieich. Publication date 1989.

Pp. 5, 6 & 9, Lid for refuse container; Rubbermaid Incorporated, 1147 Akron Road, Wooster, OH 44691. Publication date 1992.

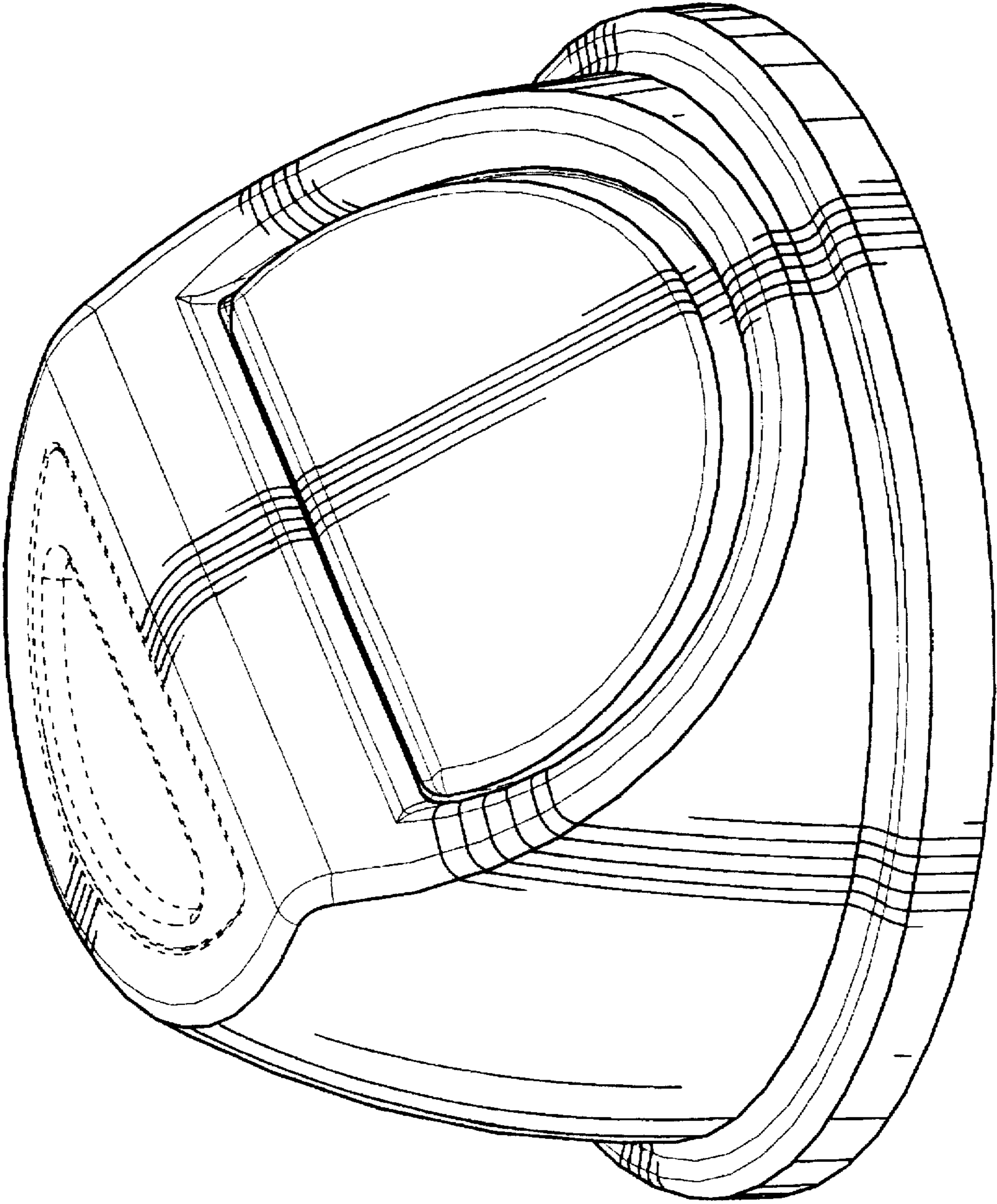


FIG. 1



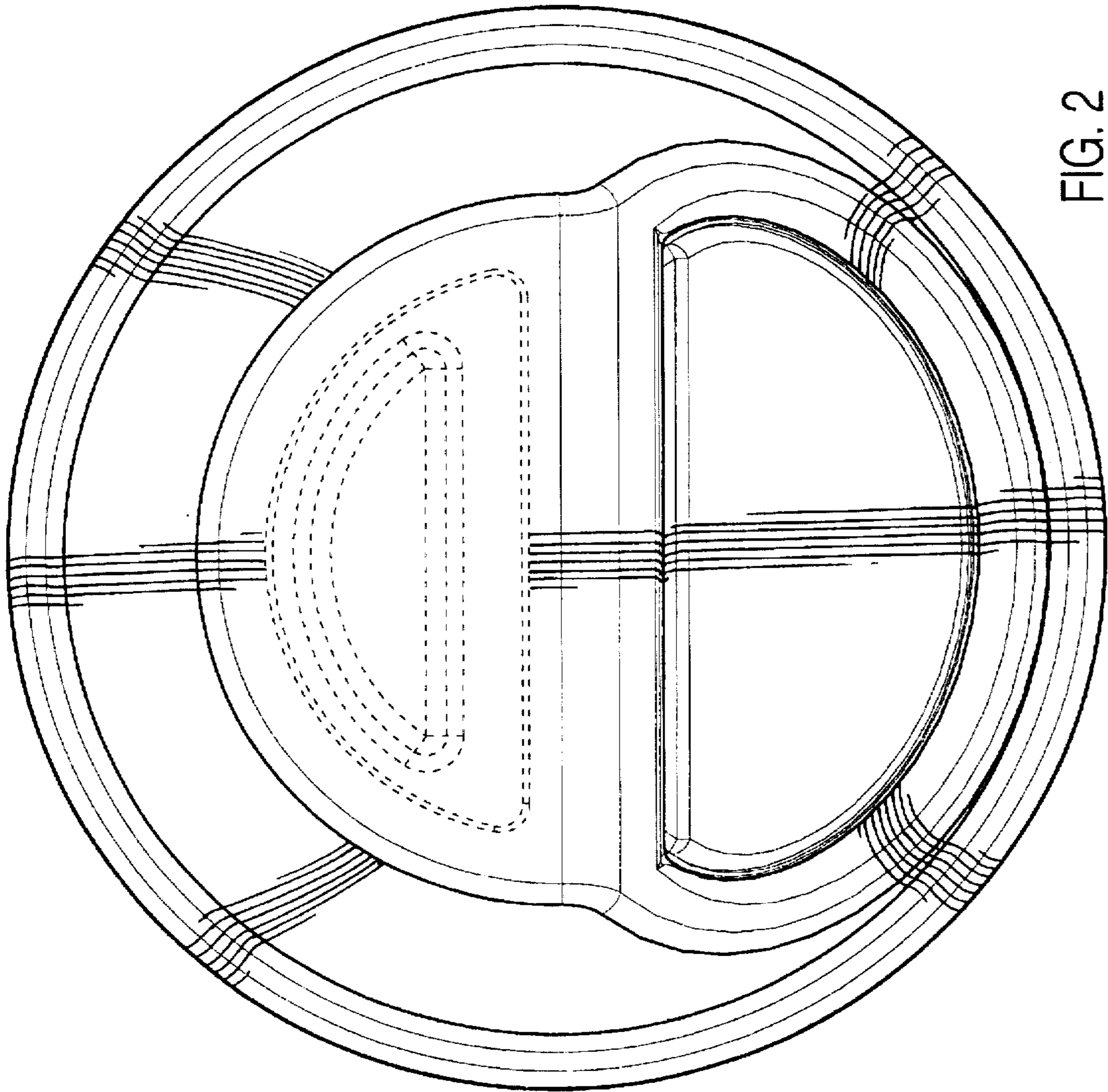


FIG. 2

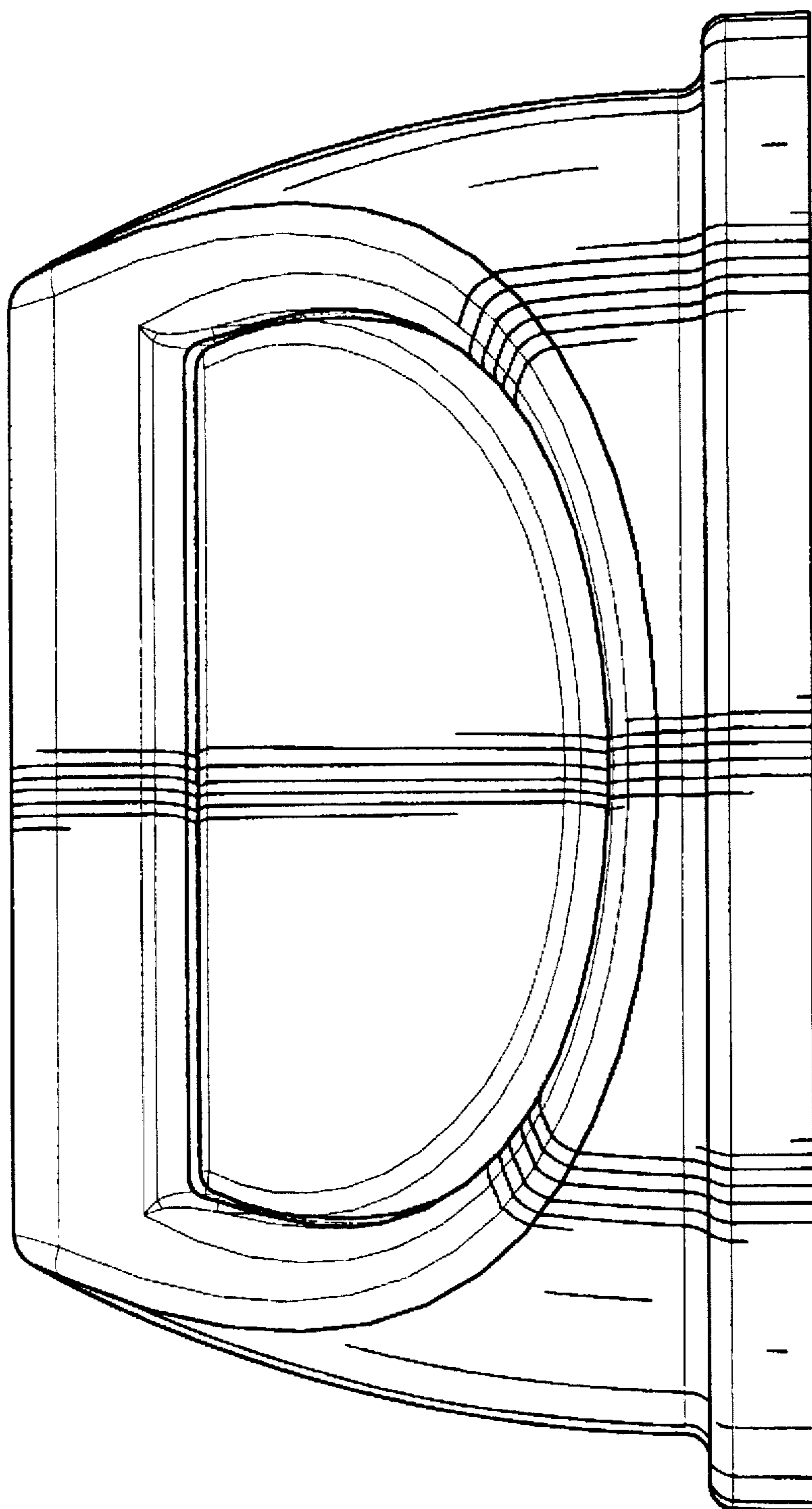


FIG. 3

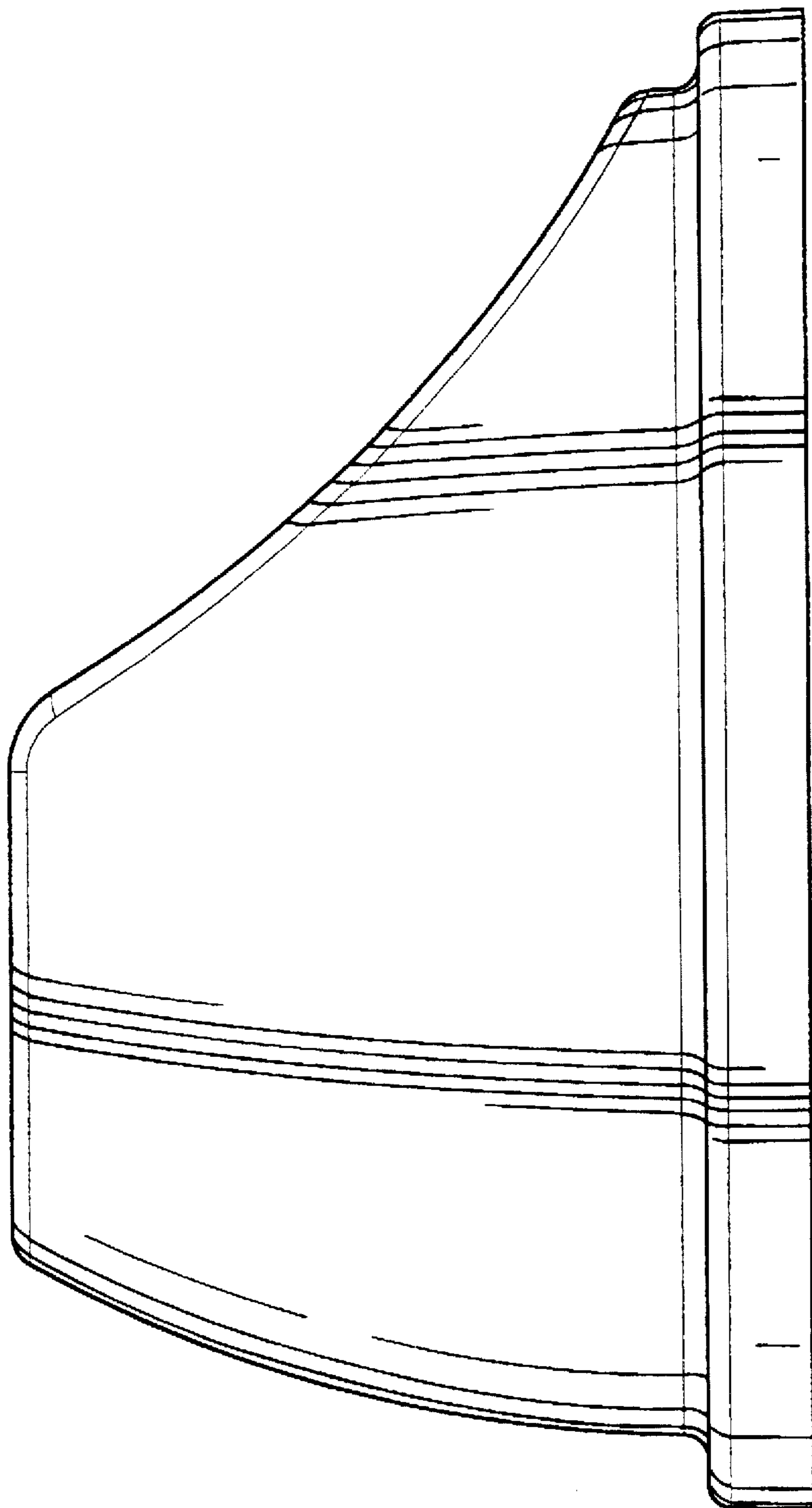


FIG. 4

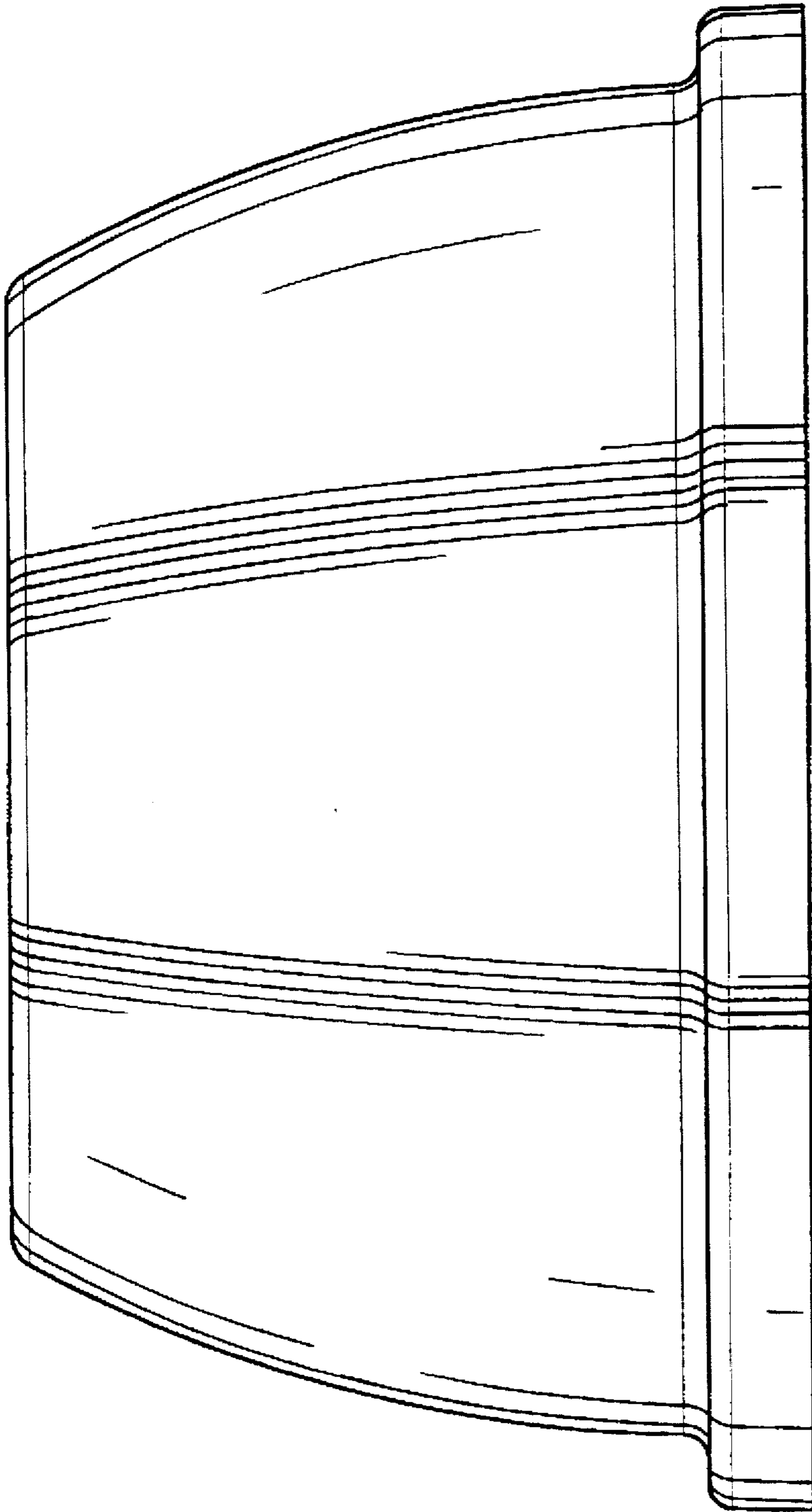


FIG. 5

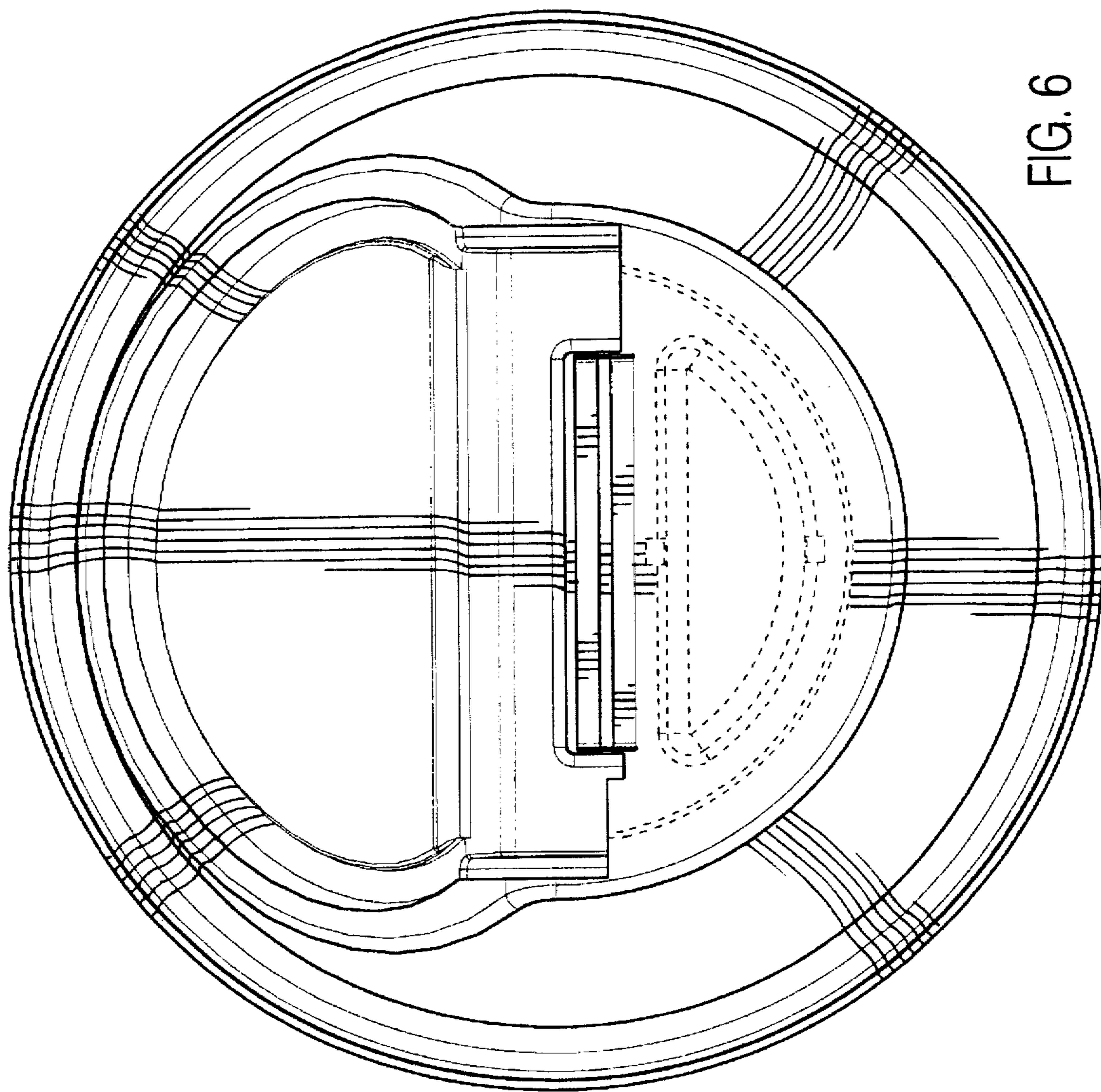


FIG. 6



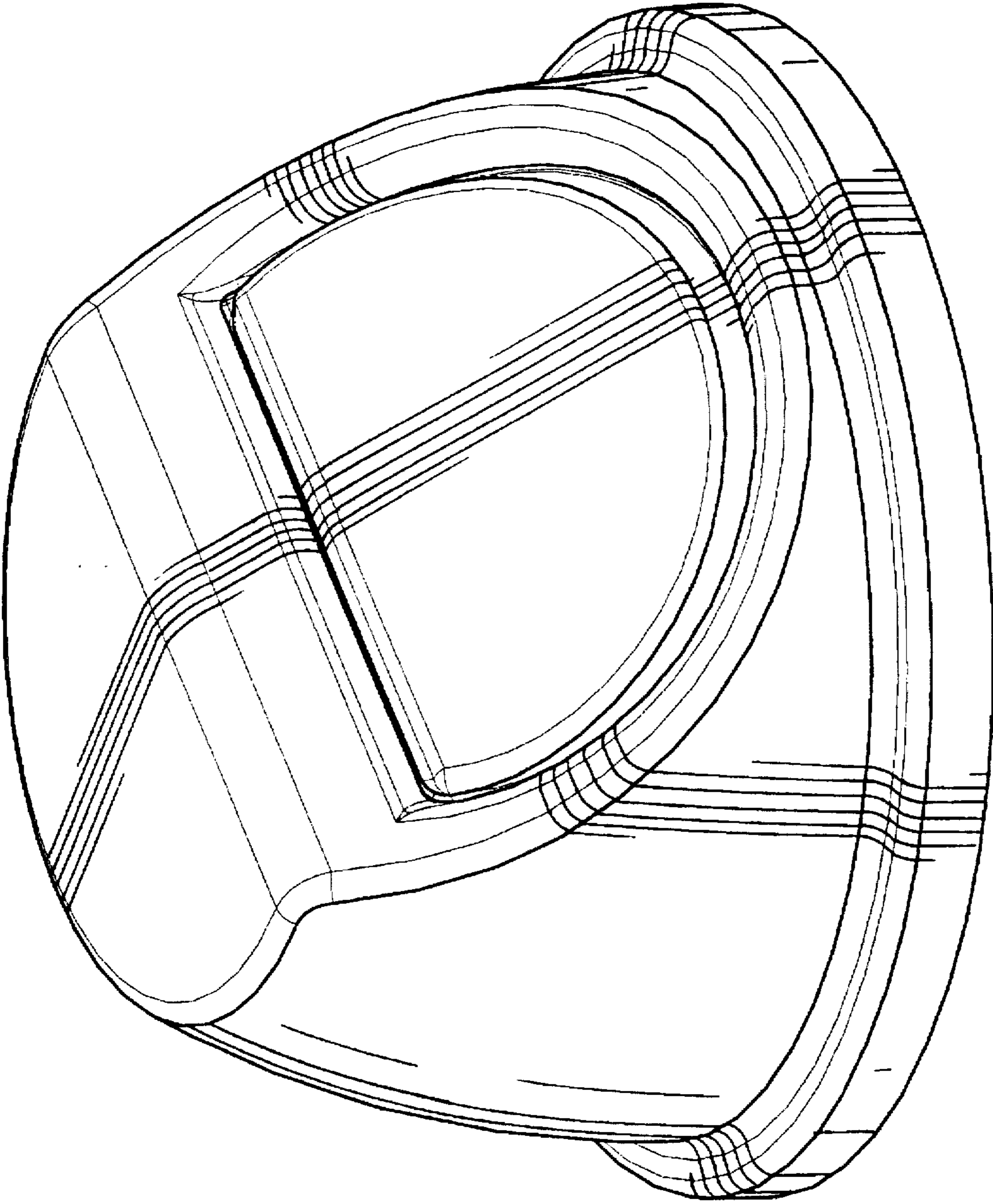


FIG. 7

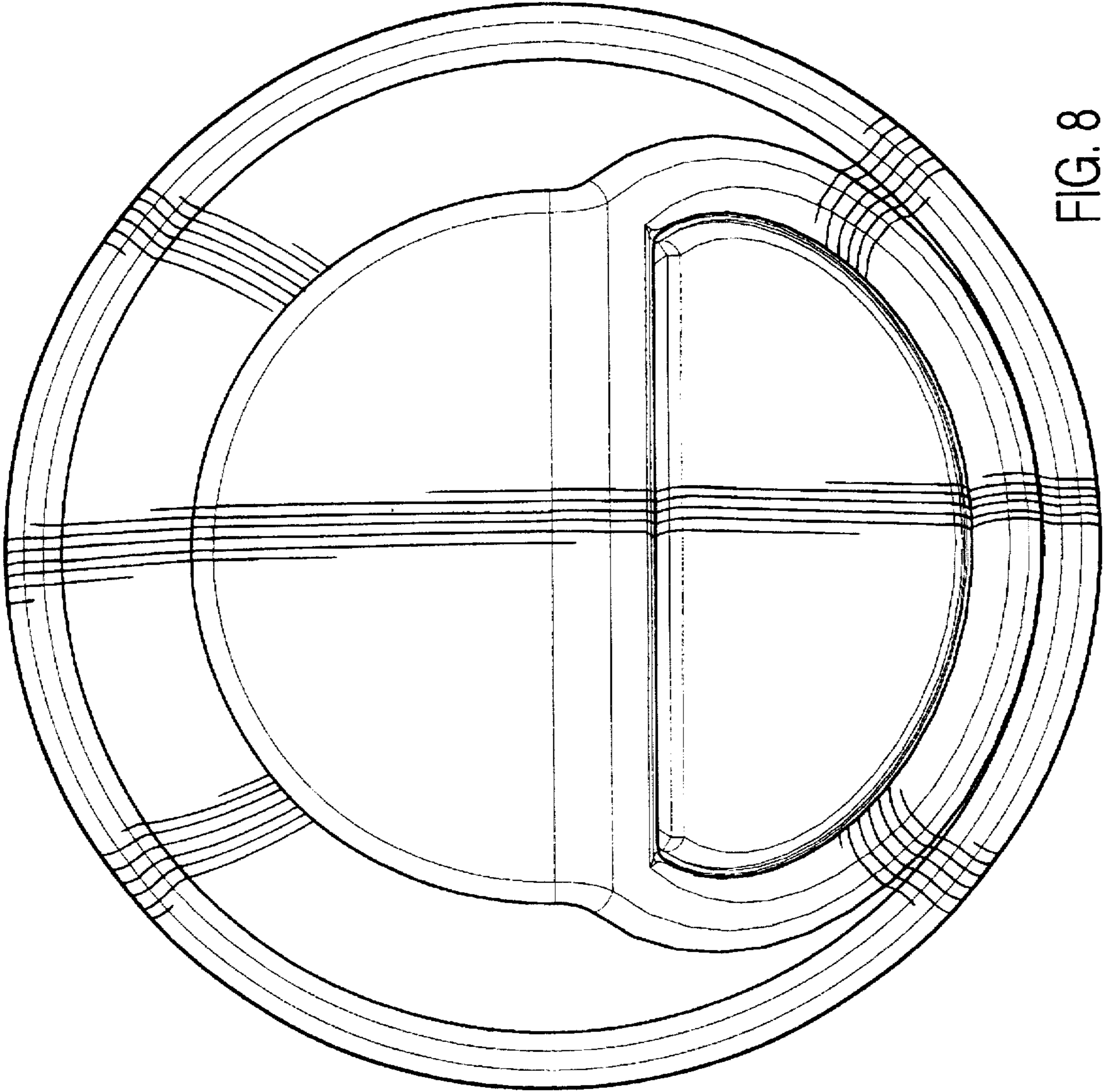


FIG. 8

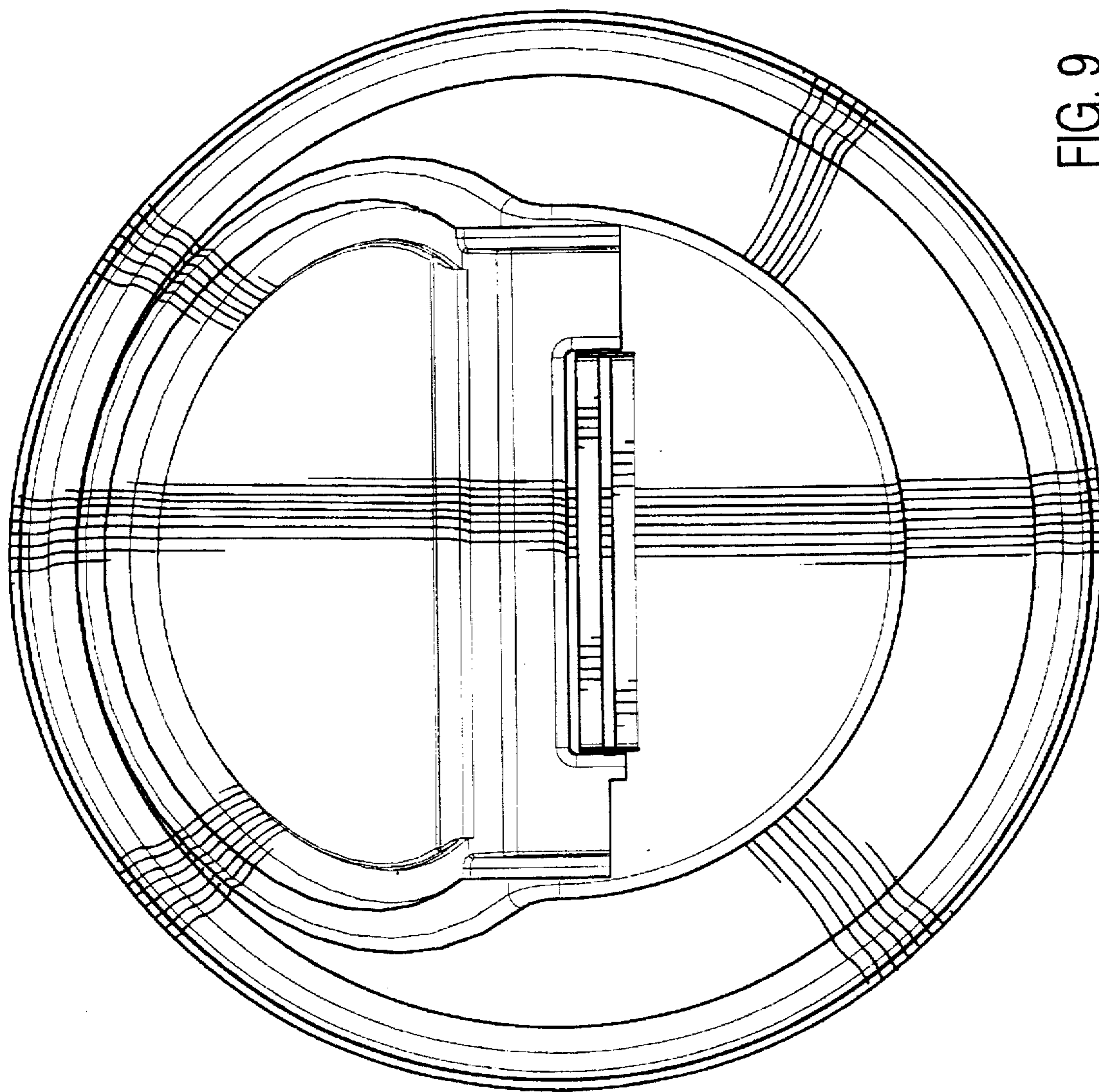


FIG. 9