

US00D391728S

United States Patent [19]
Delmerico

[11] **Patent Number: Des. 391,728**
[45] **Date of Patent: **Mar. 3, 1998**

- [54] **LID FOR TRASH CONTAINER**
- [75] **Inventor: Paul E. Delmerico, Winchester, Va.**
- [73] **Assignee: Rubbermaid Commercial Products Inc., Winchester, Va.**
- [**] **Term: 14 Years**
- [21] **Appl. No.: 67,786**
- [22] **Filed: Mar. 11, 1997**
- [51] **LOC (6) Cl. 09-09**
- [52] **U.S. Cl. D34/11; 220/908**
- [58] **Field of Search D34/1, 5-7, 10, D34/11; 220/908-911, 252, 254, 260, 263**

- 4,860,910 8/1989 Zipper 200/1 T
- 4,905,853 3/1990 Strawder 200/1 T
- 5,022,548 6/1991 Stakis 220/23.83
- 5,172,823 12/1992 Moetteli 220/334

OTHER PUBLICATIONS

Pp. 3, 5, 6, 7; Lid for refuse container; Continental Manufacturing Company. A division of Contico International, Inc. 123 Byassee Dr., Hazelwood, Missouri 63042. Publication date Oct., 1994.

(List continued on next page.)

Primary Examiner—Kay H. Chin
Assistant Examiner—Robin V. Taylor
Attorney, Agent, or Firm—Richard B. O’Planick; Lisa B. Riedesel

[56] **References Cited**

U.S. PATENT DOCUMENTS

- D. 68,055 8/1925 Sauvage D34/11
- D. 233,127 10/1974 Karn, Jr. D7/194
- D. 271,248 11/1983 Maza et al. D34/8
- D. 276,753 12/1984 Maza et al. D34/11
- D. 280,459 9/1985 McClelland D34/8
- D. 280,857 10/1985 Fuller et al. D34/11
- D. 281,111 10/1985 McClelland D34/8
- D. 293,843 1/1988 Kroll et al. D34/8
- D. 318,354 7/1991 Delmerico D34/7
- D. 321,576 11/1991 Hradisky D34/8
- D. 326,343 5/1992 Hradisky D34/7
- D. 326,754 6/1992 Hradisky D34/7
- D. 331,134 11/1992 Hradisky D34/11
- D. 333,716 3/1993 Bird et al. D34/8
- D. 335,565 5/1993 Juergens D34/11
- D. 338,763 8/1993 Marberger D34/7
- D. 343,267 1/1994 Craft et al. D34/11
- D. 351,705 10/1994 Bird et al. D34/11
- D. 358,918 5/1995 Gale D34/11
- D. 370,107 5/1996 Brightbill et al. D34/11
- D. 370,108 5/1996 Brightbill et al. D34/11
- 3,083,859 4/1963 Gardiner 220/30
- 3,219,227 11/1965 Deisner 220/31
- 3,825,150 7/1974 Taylor 220/63 R
- 3,904,218 9/1975 Kostle 280/79.2
- 4,032,037 6/1977 Dubery et al. 220/335
- 4,331,074 5/1982 Behman 220/908
- 4,649,813 3/1987 Kehl 100/227
- 4,776,478 10/1988 Miller et al. 220/1 T

[57] **CLAIM**

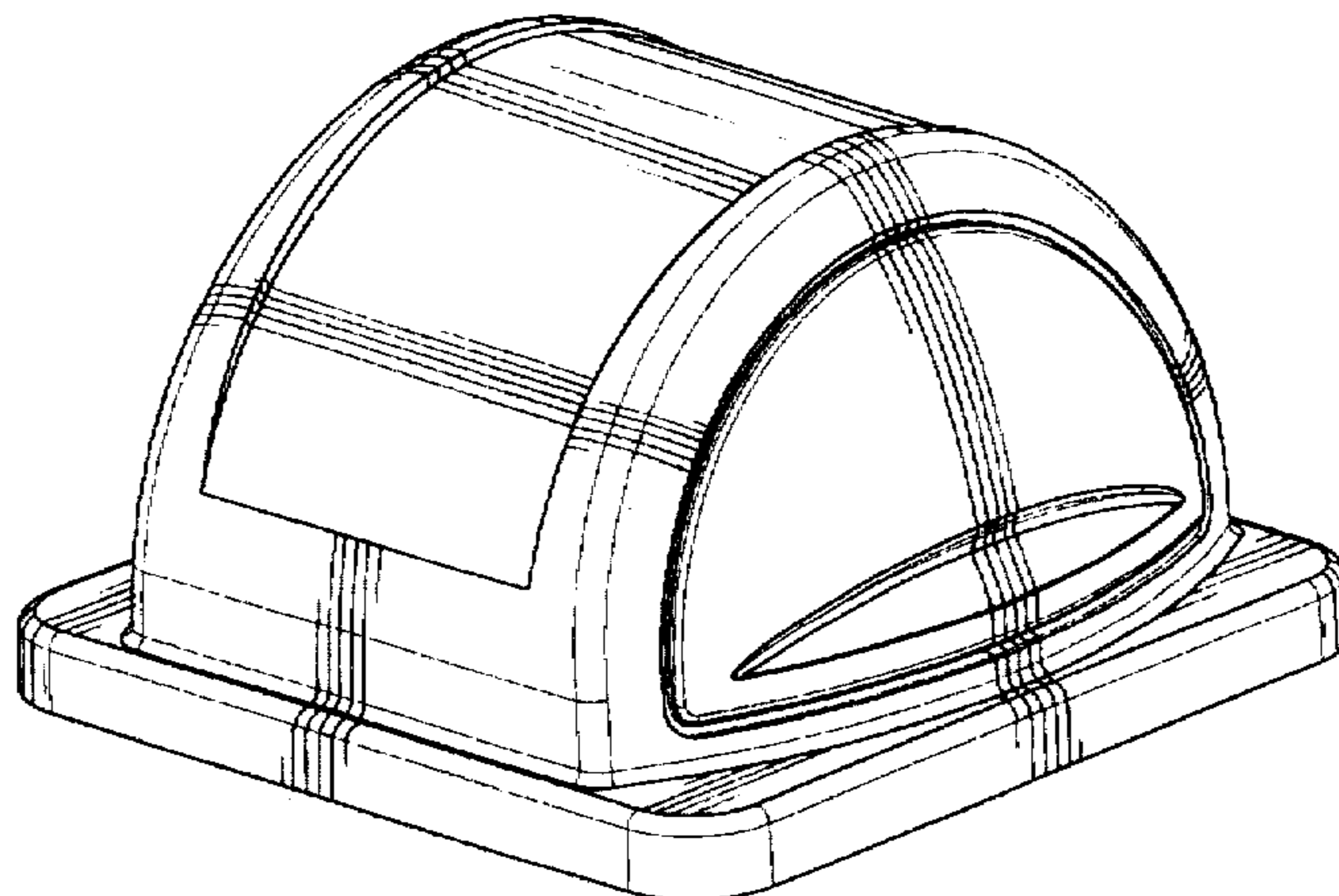
The ornamental design for a lid for trash container, as shown and described.

DESCRIPTION

FIG. 1 is a top left front perspective view of a lid for trash container showing my new design;
 FIG. 2 is a top plan view thereof;
 FIG. 3 is a front elevational view thereof; the rear elevational view being a mirror image;
 FIG. 4 is a right side elevational view thereof; the left side elevational view being a mirror image;
 FIG. 5 is a bottom plan view thereof;
 FIG. 6 is a top left front perspective view of the lid for trash container, shown with the environmental unclaimed features removed;
 FIG. 7 is a top plan view thereof, shown with the environmental unclaimed features removed;
 FIG. 8 is a right side elevational view thereof shown with the environmental unclaimed features removed; the left side elevational view being a mirror image; and,
 FIG. 9 is a bottom plan view thereof, shown with the environmental unclaimed features removed.

The broken line drawing of an ashtray shown in FIGS. 1 through 5 is for illustrative purposes only and forms no part of the claimed design.

1 Claim, 9 Drawing Sheets



OTHER PUBLICATIONS

Catalog Page, Lid for refuse container; Frem Corporation, 60 Webster Place, P.O. Box 4, Worcester, MA 01603-0004. Publication date, May 1, 1991.

Catalog Page, Lid for refuse container; Tamor Plastics Corp, Leominster, MA 01453. Publication date Jan. 1992.

Catalog page, Lid for refuse container; Sterilite Corporation, P.O. Box 524, Main Street, Townsend, MA. Publication date Jan. 17, 1990.

Catalog page, Lid for refuse container; Umbra, Paris Kitchens, Toronto, Publication date 1993.

Catalog page, Lid for refuse container; Placewares, 351 Congress Street, Boston, MA. 02210, Publication date 1990.

Catalog page, Lid for refuse container; F.H. Lawson Co., 801 Evans St., Cincinnati, OH 45204. Publication date 1987.

Catalog page, Lid for refuse container; Tucker Housewares, 25 Tucker Drive, Leominster, MA 01453. Publication date Sep. 1994.

P. 6, Lid for refuse container; Tucker Housewares, 25 Tucker Drive, Leominster, MA 01453. Publication date Aug. 1994.

P. 5, Lid for refuse container; Curver, address unknown. Publication date 1991.

P. 67, Lid for refuse container; Iwasaki Industry Inc., No. 26, Showa Kogyo Danchi, 1216-5, Nukatabe Kita-machi, Yamato-Koriyama, Nara, 639-11, Japan. Publication date 1990-91.

Pp. 8 & 9, Lid for refuse container; Rubbermaid Japan Inc., 136 Sakuragi, Mizuhashi, Toyama 939-05, Japan. Publication date Apr. 1995.

P. 6, Lid for refuse container; Dupol-Rubbermaid GmbH, An der Trift 63, D-6072 Dreieich. Publication date 1989.

Pp. 5, 6, & 9, Lid for refuse container; Rubbermaid Incorporated, 1147 Akron Road, Wooster, OH 44691. Publication date 1992.

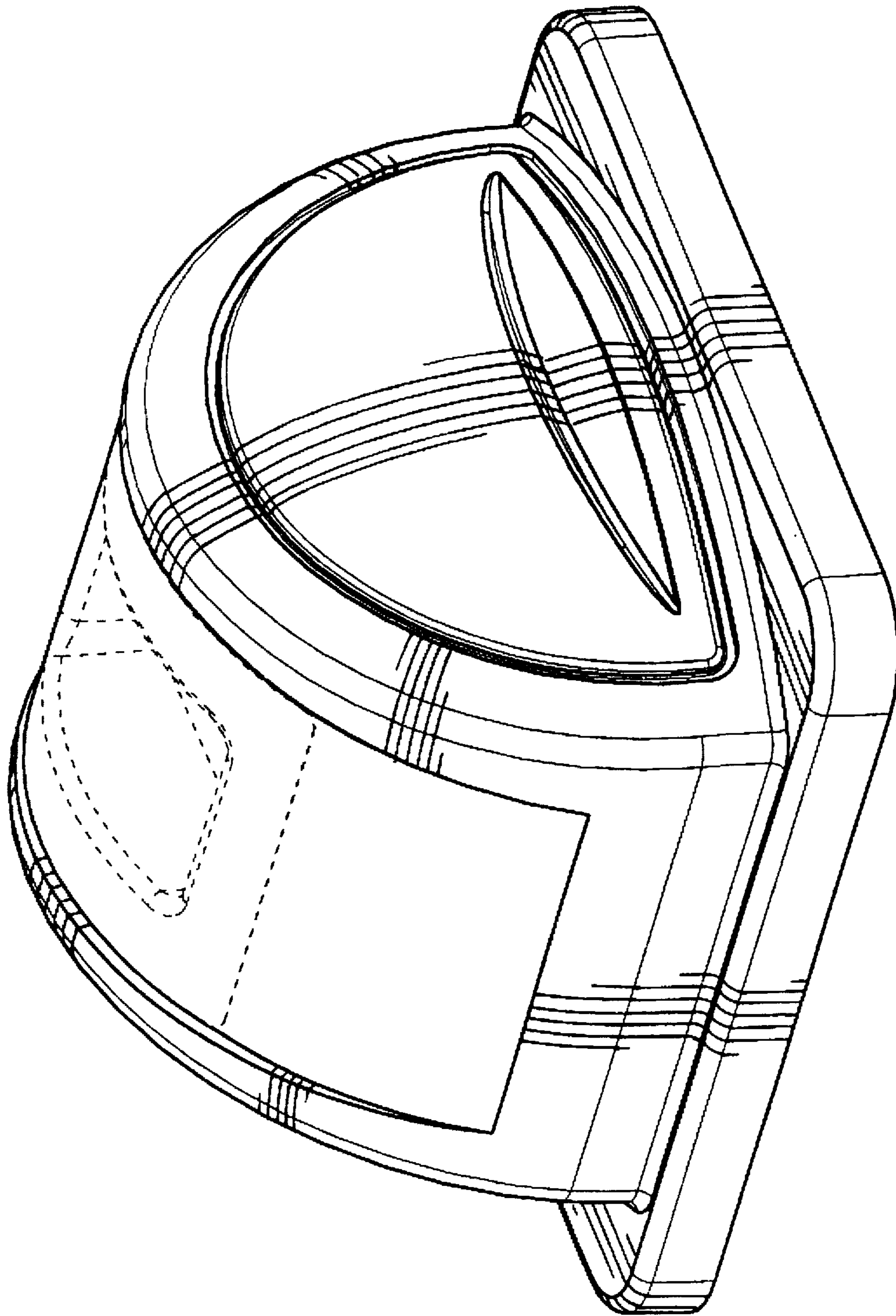


FIG. 1

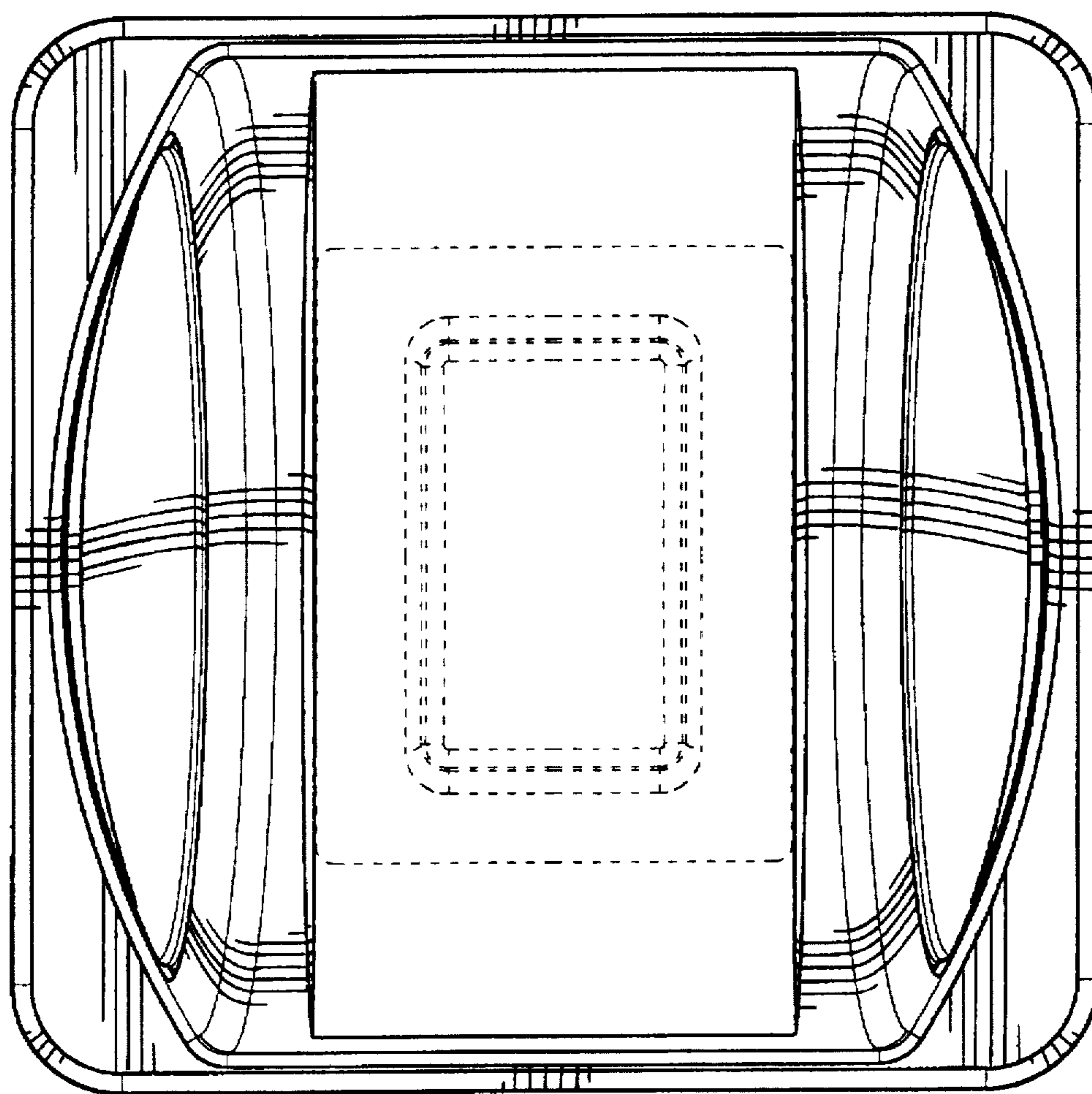


FIG. 2

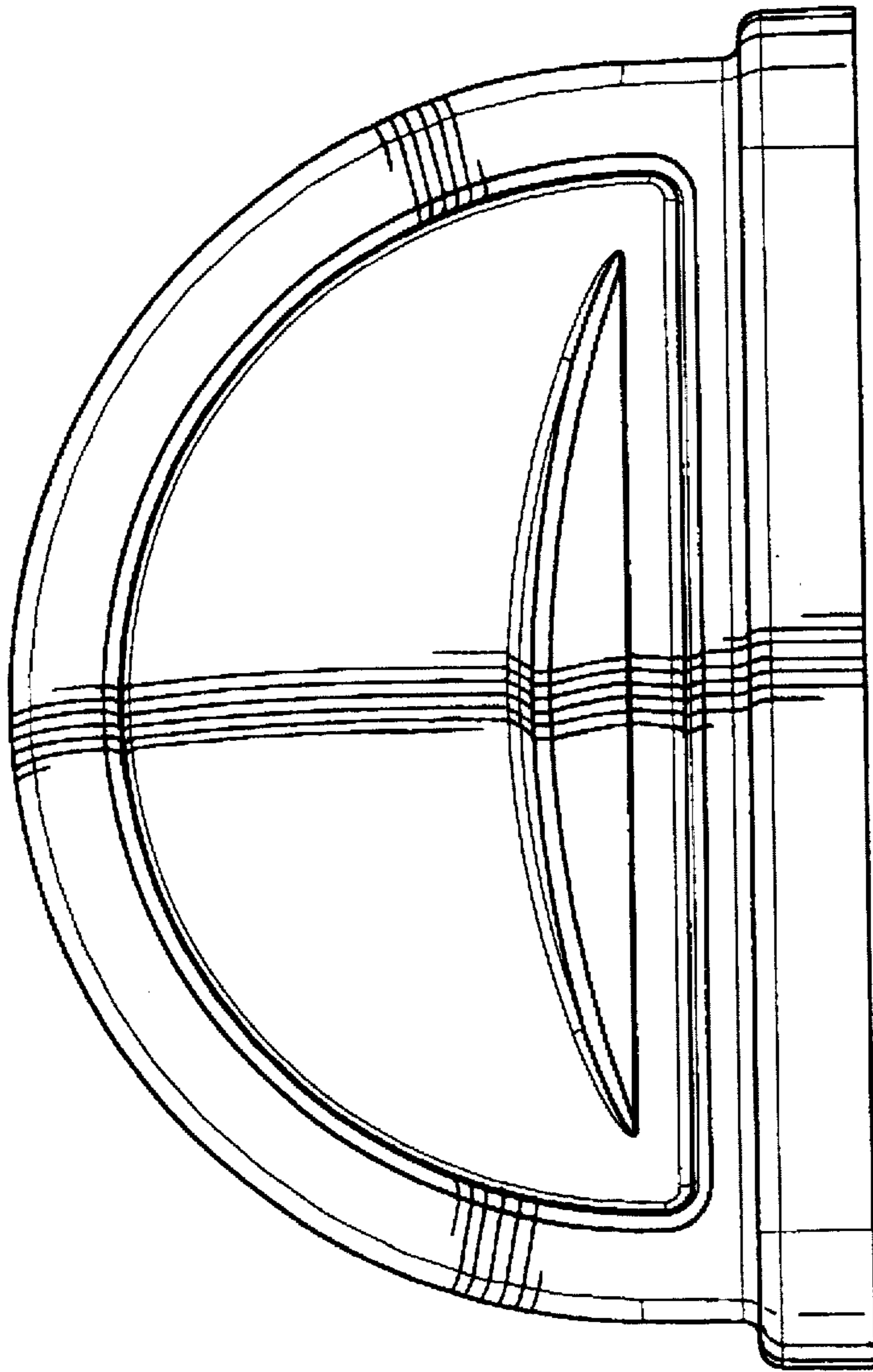


FIG. 3

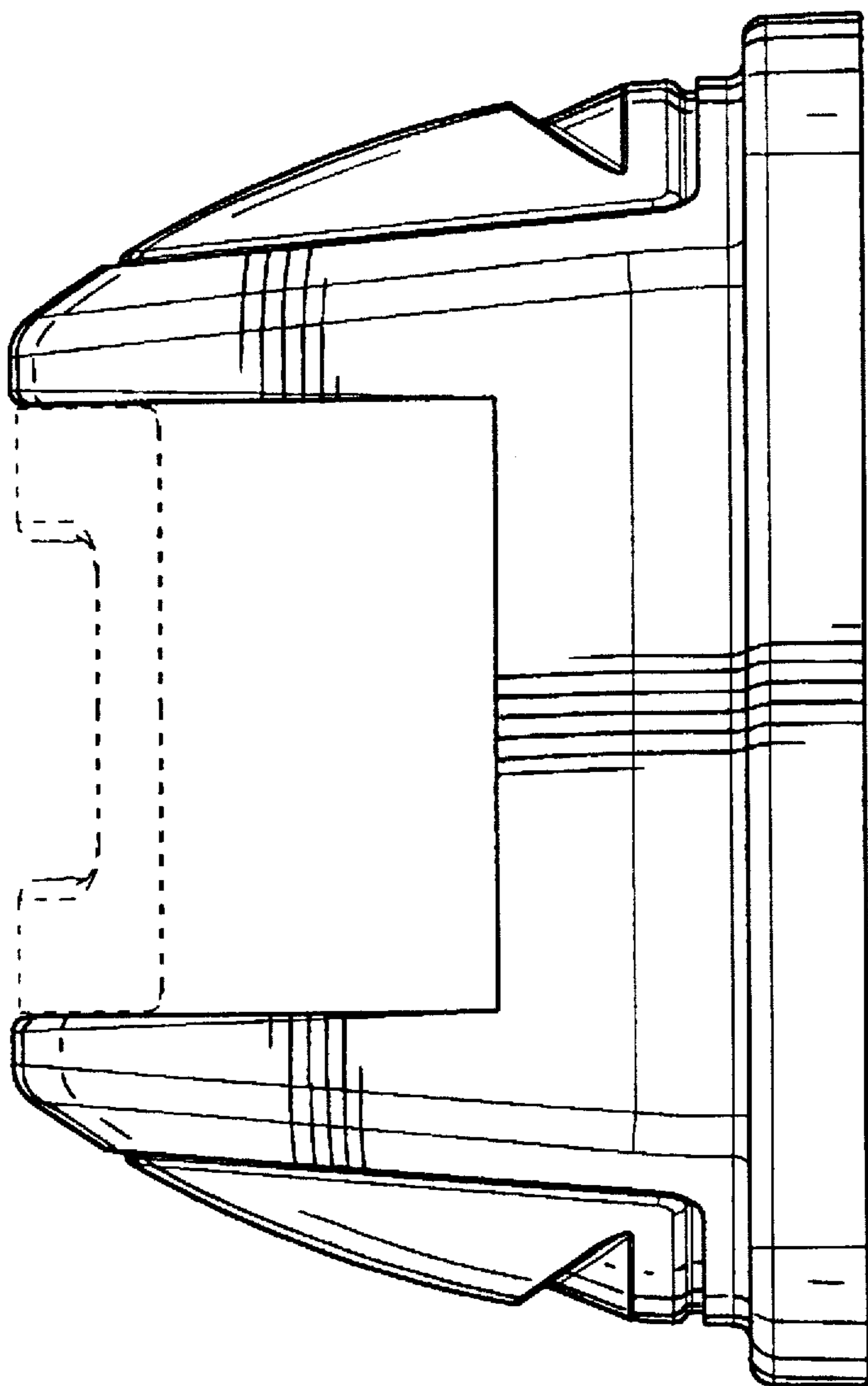


FIG. 4

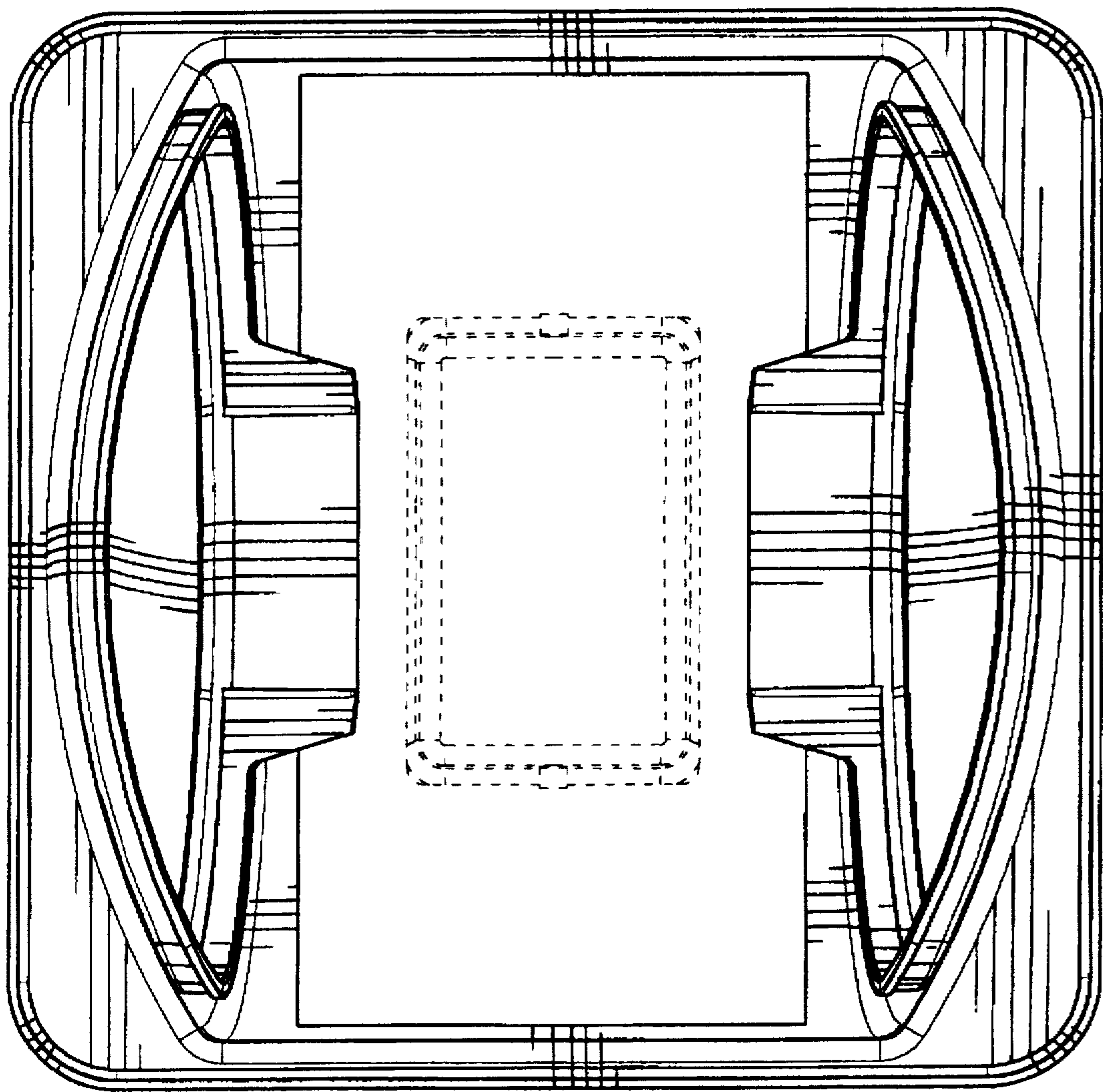


FIG. 5

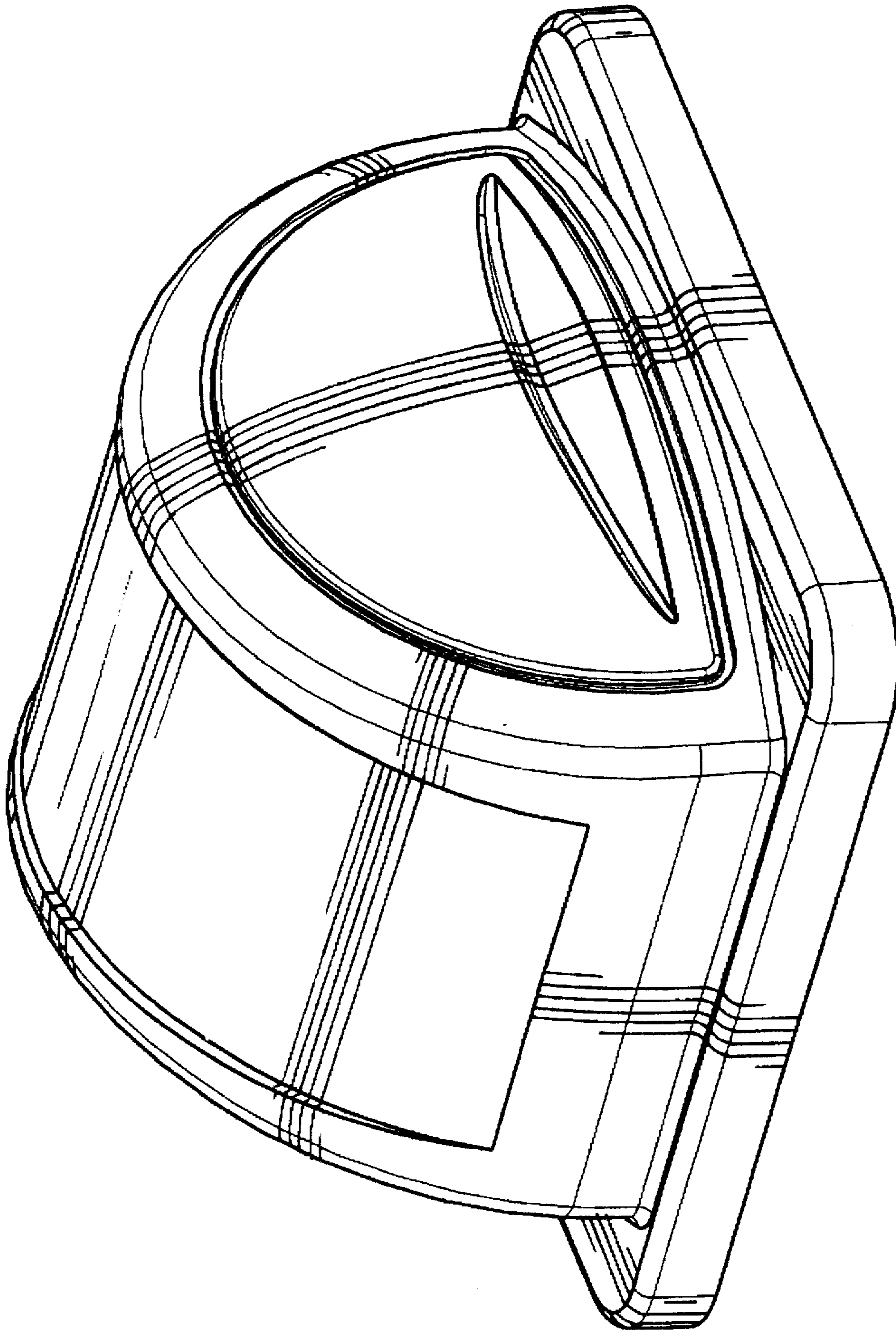


FIG. 6

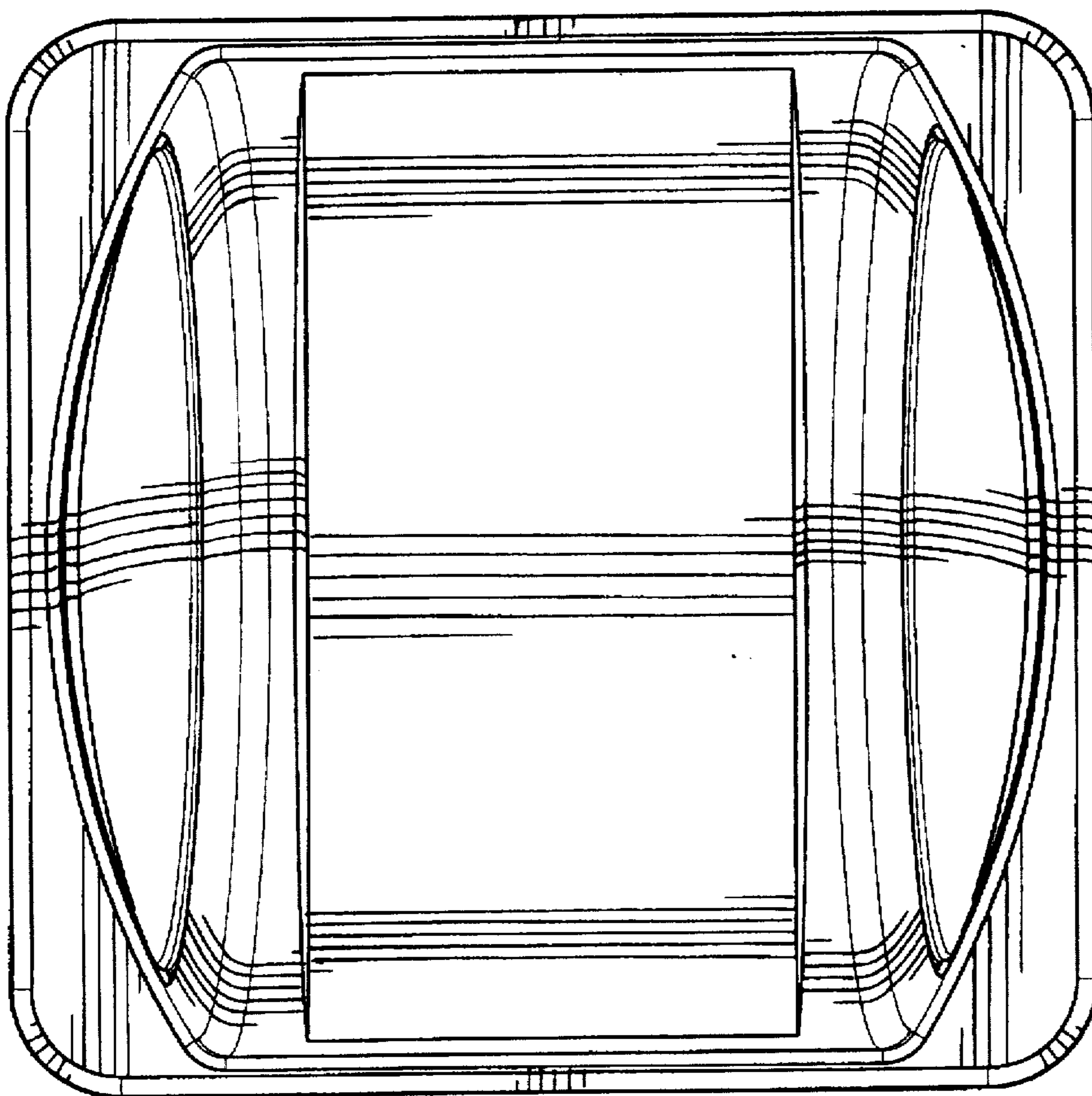


FIG. 7

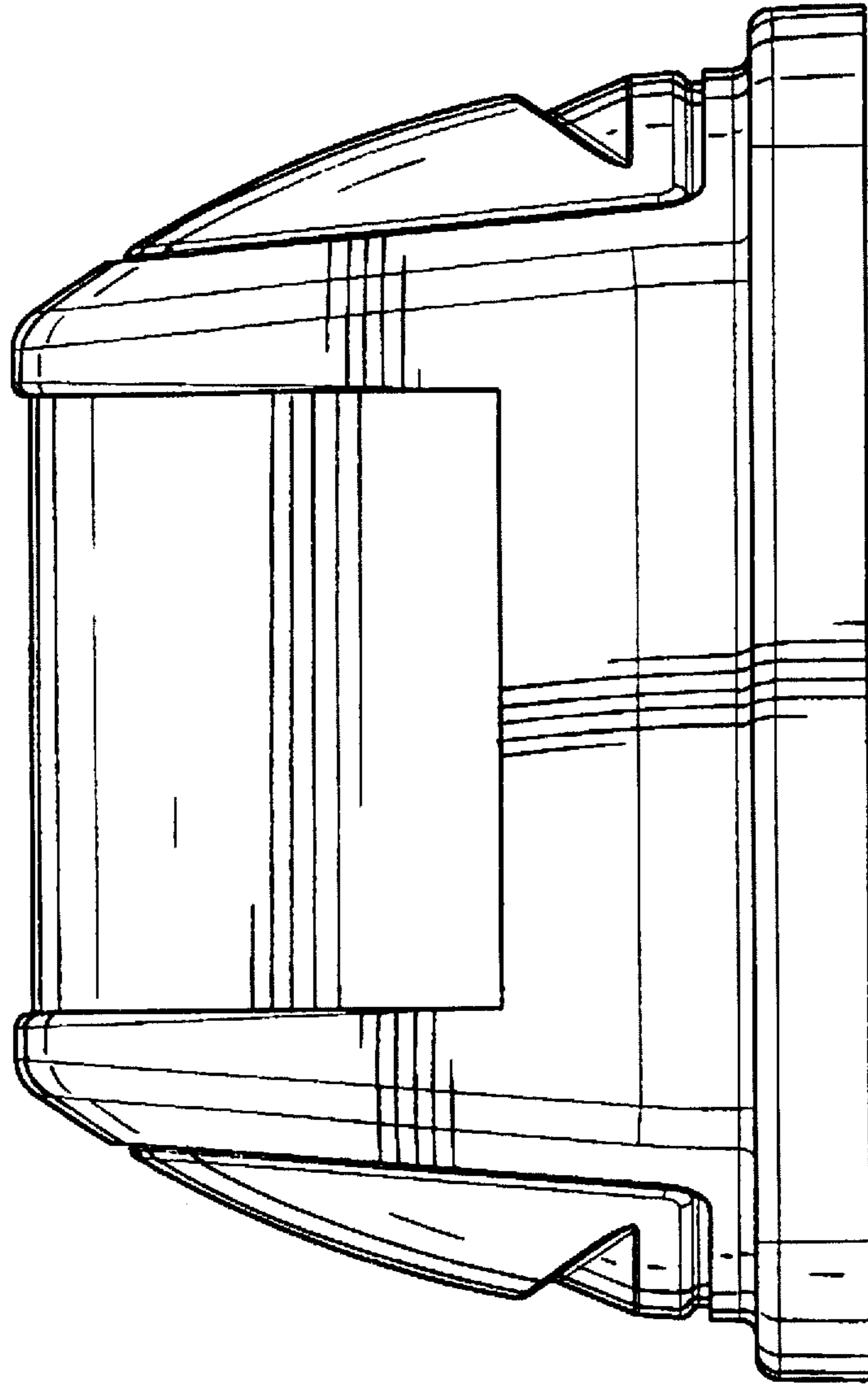


FIG. 8

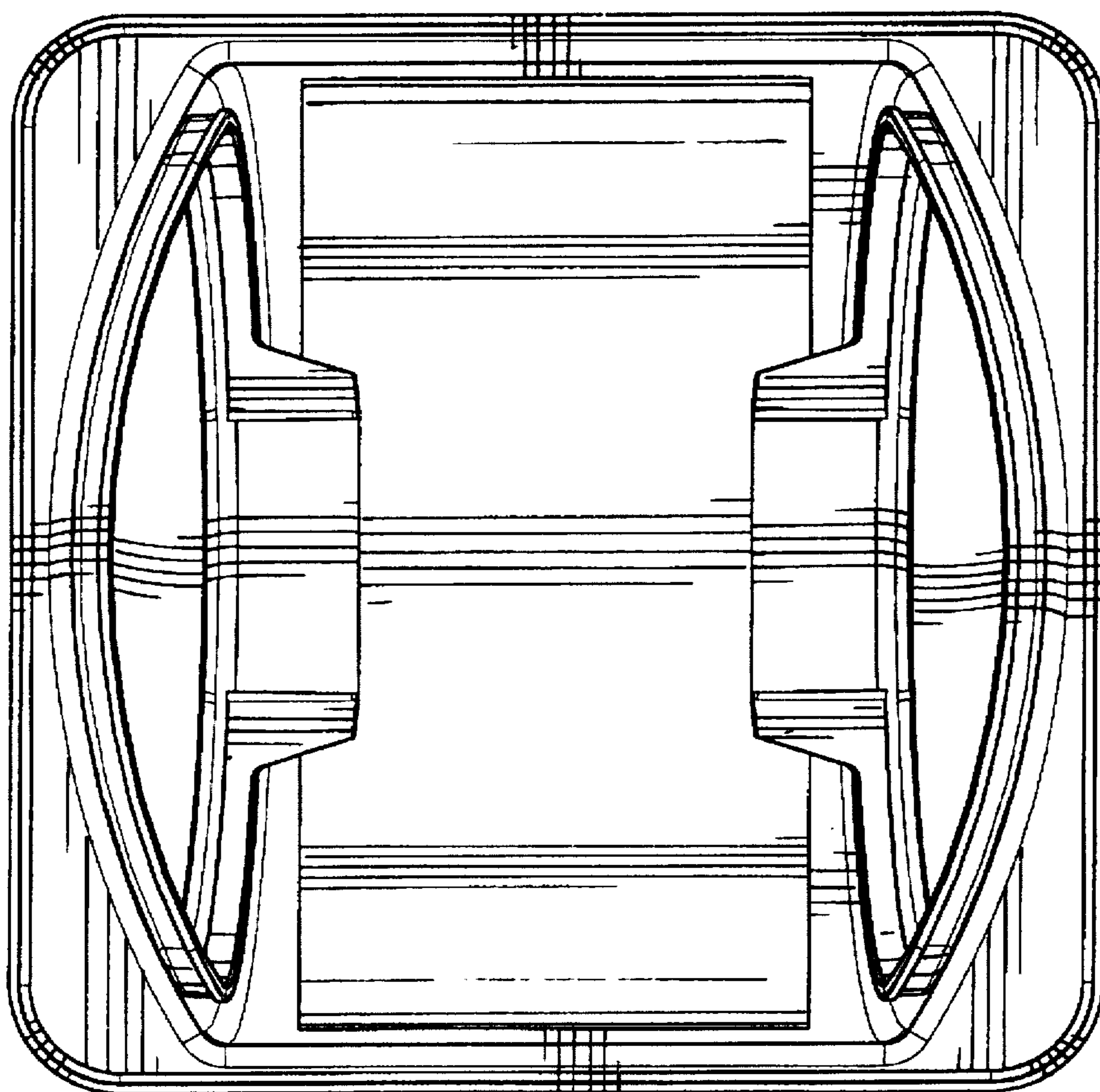


FIG. 9