



US00D391727S

United States Patent [19]

Delmerico

[11] Patent Number: **Des. 391,727**

[45] Date of Patent: ****Mar. 3, 1998**

- [54] REFUSE CONTAINER LID
- [75] Inventor: **Paul E. Delmerico**, Winchester, Va.
- [73] Assignee: **Rubbermaid Commercial Products Inc.**, Winchester, Va.
- [**] Term: **14 Years**
- [21] Appl. No.: **67,780**
- [22] Filed: **Mar. 11, 1997**
- [51] LOC (6) Cl. **09-09**
- [52] U.S. Cl. **D34/11; 220/908**
- [58] Field of Search **D34/1, 5-7, 10, D34/11; 220/908-911, 252, 254, 260, 263**

4,905,853 3/1990 Strawder 200/1 T
 5,022,548 6/1991 Stakis 220/23.83
 5,172,823 12/1992 Moetteli 220/334

OTHER PUBLICATIONS

Pages 3, 5, 6, 7; Lid for refuse container; Continental Manufacturing Company, A division of Contico International, Inc. 123 Byassee Dr., Hazelwood, Missouri 63042. Publication date Oct., 1994.
 Catalog Page, Lid for refuse container; Frem Corporation, 60 Webster Place, P.O. Box 4, Worchester, MA 01603-0004. Publication date, May 1, 1991.
 Catalog Page, Lid for refuse container; Tamor Plastics Corp. Leominster, MA 01453. Publication date Jan. 1992.
 Catalog page, Lid for refuse container; Sterilite Corporation, P.O. Box 524, Main Street, Townsend, MA. Publication date Jan. 17, 1990.
 Catalog page, Lid for refuse container; Umbra, Paris Kitchens, Toronto. Publication date 1993.
 Catalog page, Lid for refuse container; Placewares, 351 Congress Street, Boston, MA. 02110. Publication date 1990.
 Catalog page, Lid for refuse container; F.H. Lawson Co., 801 Evans St., Cincinnati, OH 45204. Publication date 1987.

(List continued on next page.)

[56] References Cited

U.S. PATENT DOCUMENTS

D. 200,360	2/1965	Deisner et al.	D34/11
D. 233,127	10/1974	Kam, Jr.	D7/194
D. 271,248	11/1983	Maza et al.	D34/8
D. 276,753	12/1984	Maza et al.	D34/11
D. 280,459	9/1985	McClelland	D34/8
D. 280,857	10/1985	Fuller et al.	D34/11
D. 281,111	10/1985	McClelland	D34/8
D. 293,843	1/1988	Kroll et al.	D34/8
D. 318,354	7/1991	Delmerico	D34/7
D. 321,576	11/1991	Hradisky	D34/8
D. 326,343	5/1992	Hradisky	D34/7
D. 326,754	6/1992	Hradisky	D34/7
D. 331,134	11/1992	Hradisky	D34/11
D. 333,716	3/1993	Bird et al.	D34/8
D. 338,763	8/1993	Marberger	D34/7
D. 343,267	1/1994	Craft et al.	D34/11
D. 351,705	10/1994	Bird et al.	D34/11
D. 358,918	5/1995	Gale	D34/11
D. 370,107	5/1996	Brightbill et al.	D34/11
D. 370,108	5/1996	Brightbill et al.	D34/11
3,083,859	4/1963	Gardiner	220/30
3,219,227	11/1965	Deisner	220/31
3,825,150	7/1974	Taylor	220/63 R
3,860,141	1/1975	Hawk	220/908
3,904,218	9/1975	Kostle	280/79.2
4,032,037	6/1977	Dubery et al.	220/335
4,649,813	3/1987	Kehl	100/227
4,776,478	10/1988	Miller et al.	220/1 T
4,860,910	8/1989	Zipper	200/1 T

Primary Examiner—Kay H. Chin
Assistant Examiner—Robin V. Taylor
Attorney, Agent, or Firm—Richard B. O'Planick; Lisa B. Riedesel

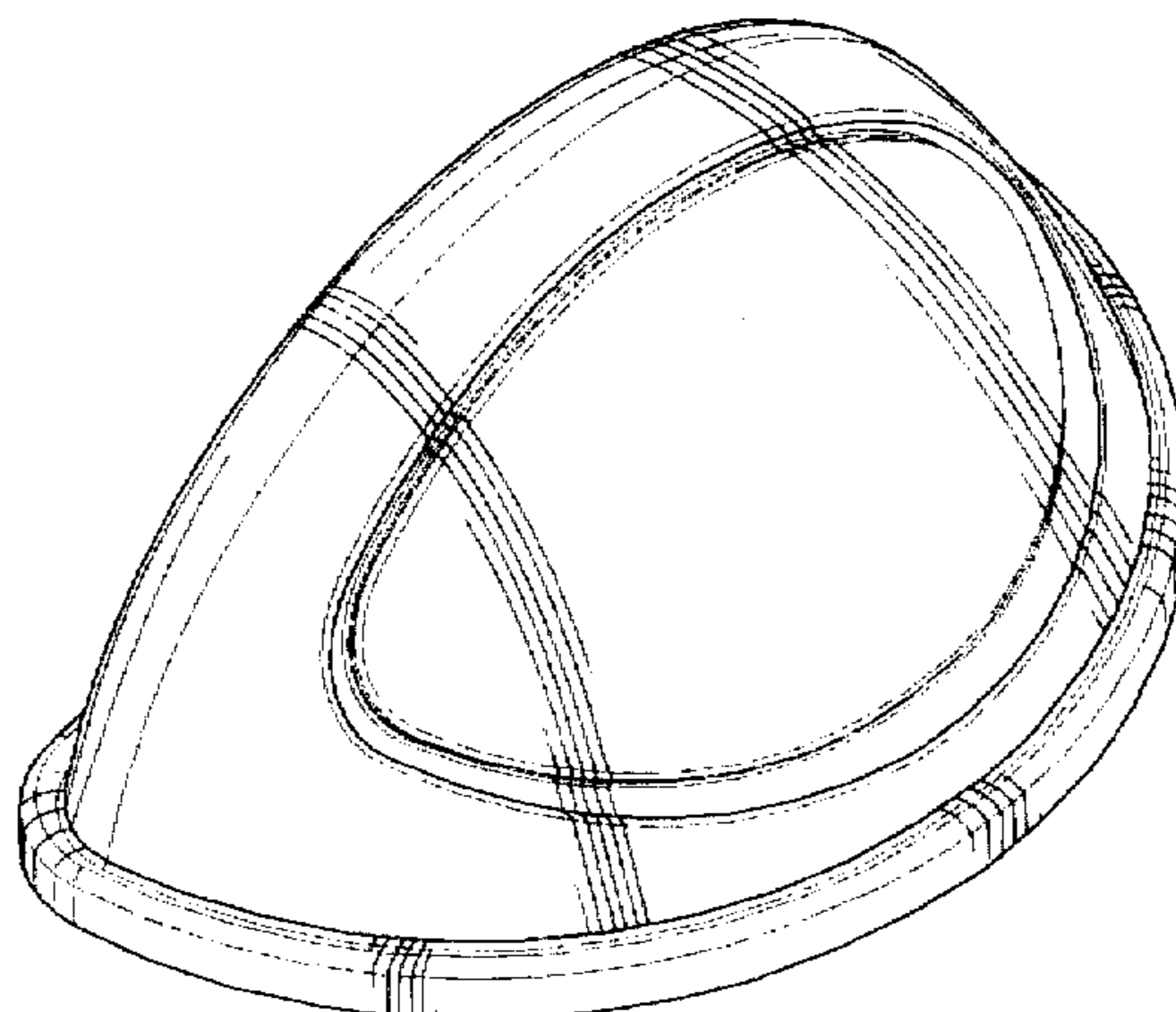
[57] CLAIM

The ornamental design for a refuse container lid, as shown and described.

DESCRIPTION

FIG. 1 is a top left front perspective view of a refuse container lid showing my new design;
 FIG. 2 is a top plan view thereof;
 FIG. 3 is a front elevational view thereof;
 FIG. 4 is a left side elevational view thereof; the right side elevational view being a mirror image;
 FIG. 5 is a rear elevational view thereof; and,
 FIG. 6 is a bottom plan view thereof.

1 Claim, 6 Drawing Sheets



OTHER PUBLICATIONS

Catalog page, Lid for refuse container; Tucker Housewares, 25 Tucker Drive, Leominster, MA 01453. Publication date Sep. 1994.

Page 6, Lid for refuse container; Tucker Housewares, 25 Tucker Drive, Leominster, MA 01453. Publication date Aug. 1994.

Page 5, Lid for refuse container; Curver, address unknown. Publication date 1991.

Page 67, Lid for refuse container; Iwasaki Industry Inc., No. 26, Showa Kogyo Danchi, 1216-5, Nukatabe Kita-machi,

Yamato-Koriyama, Nara, 639-11, Japan. Publication date 1990-91.

Page 8 & 9, Lid for refuse container; Rubbermaid Japan Inc., 136 Sakuragi, Mizuhashi, Toyama 939-05, Japan. Publication date Apr. 1995.

Page 6, Lid for refuse container; Dupol-Rubbermaid GmbH, An der Trift 63, D-6072 Dreieich. Publication date 1989.

Page 5, 6, & 9, Lid for refuse container; Rubbermaid Incorporated, 1147 Akron Road, Wooster, OH 44691. Publication date 1992.

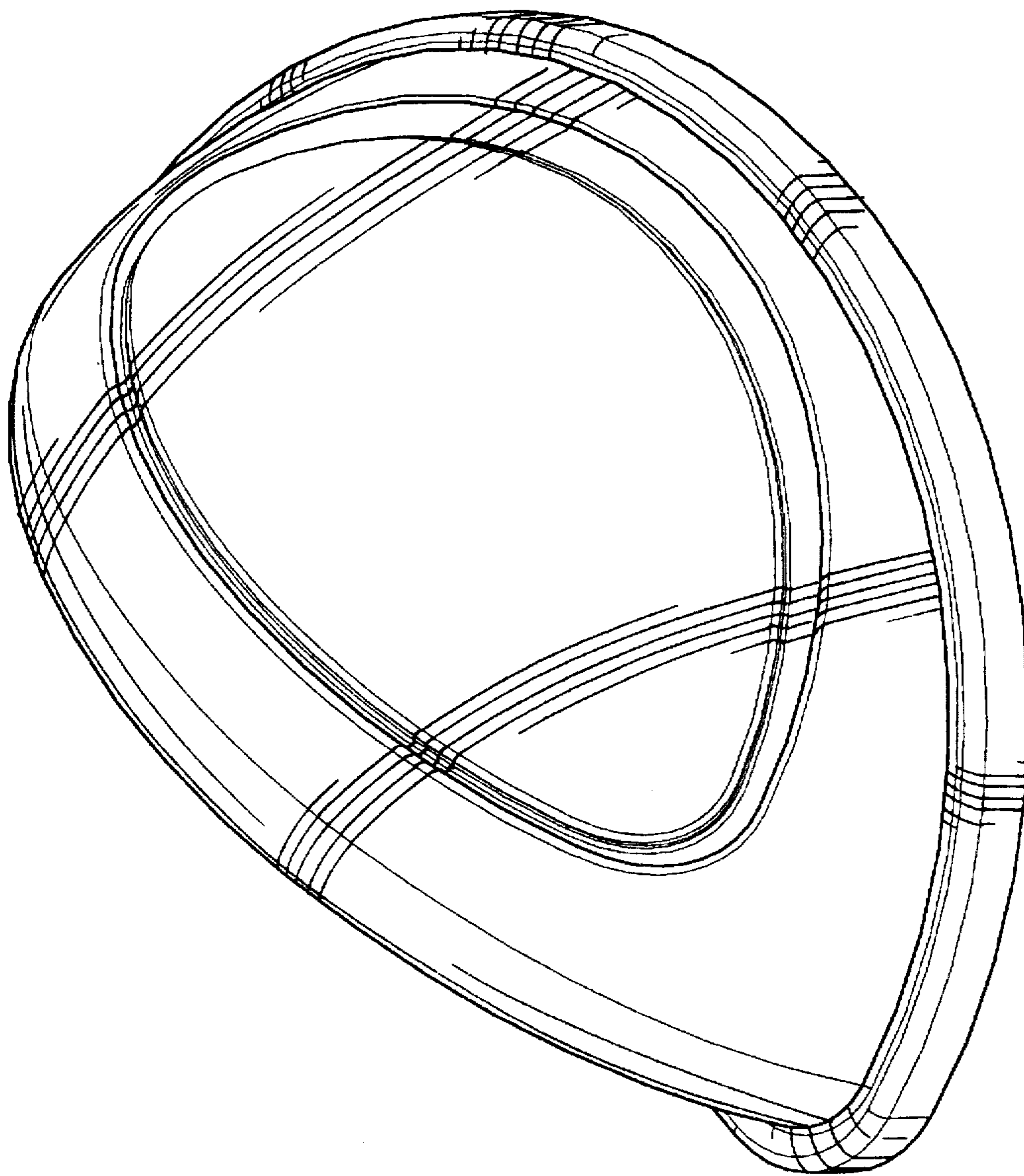


FIG. 1

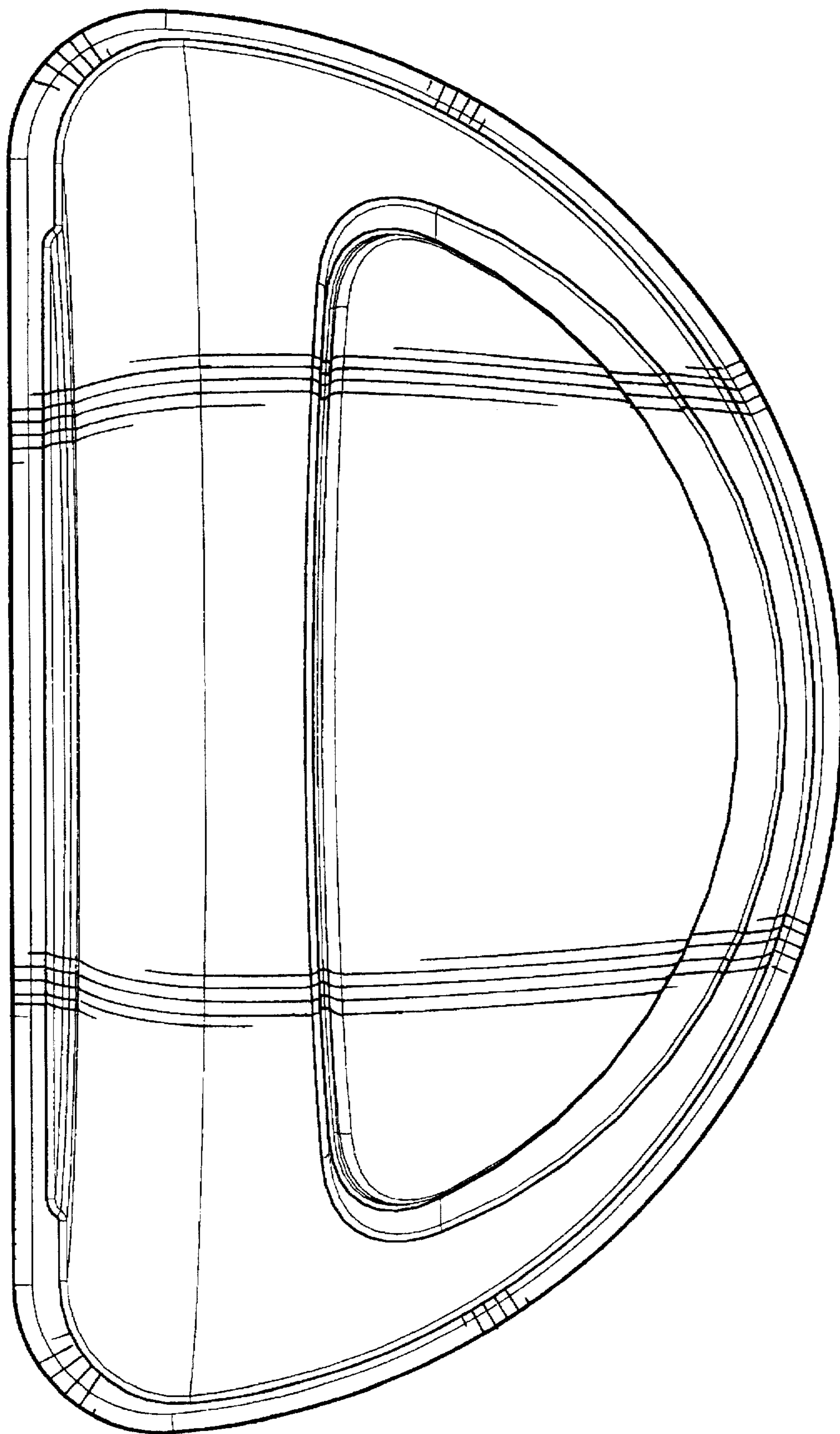


FIG. 2

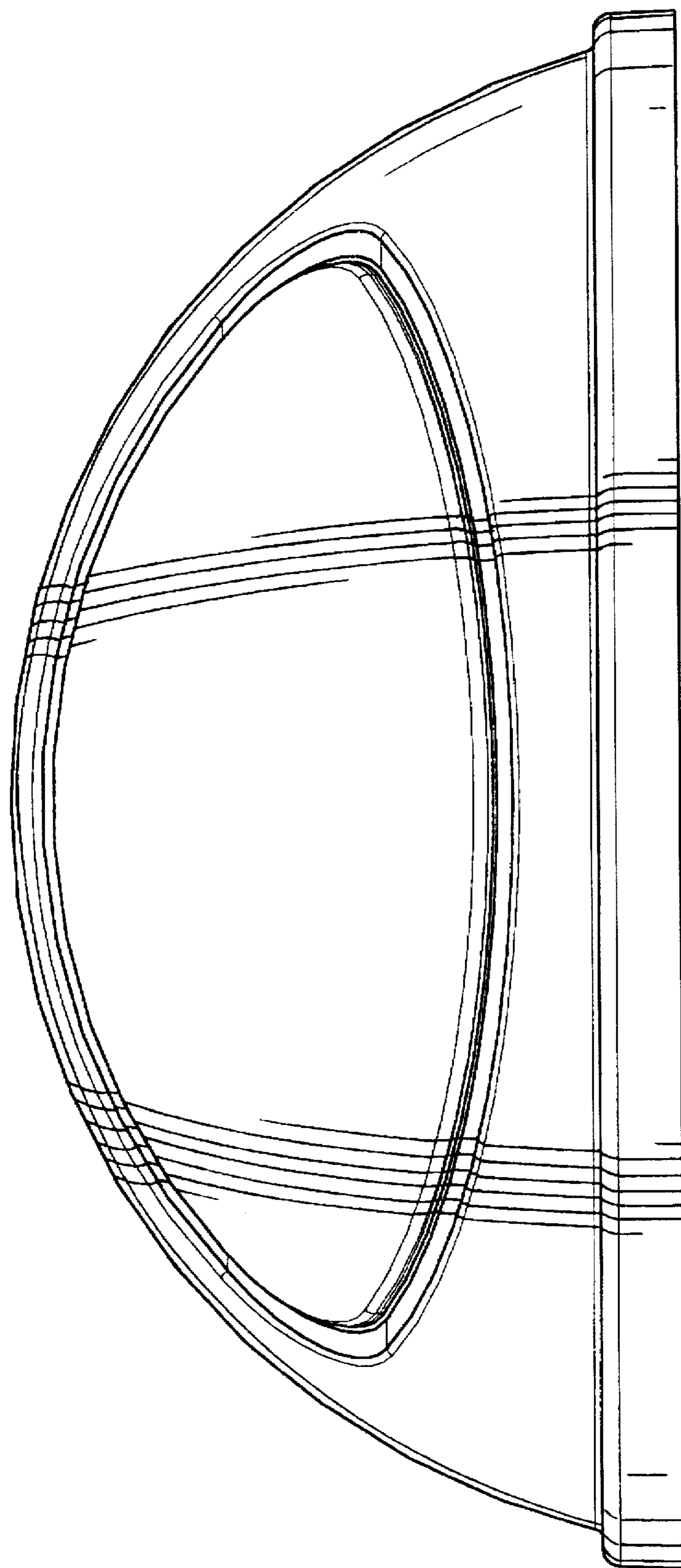


FIG. 3

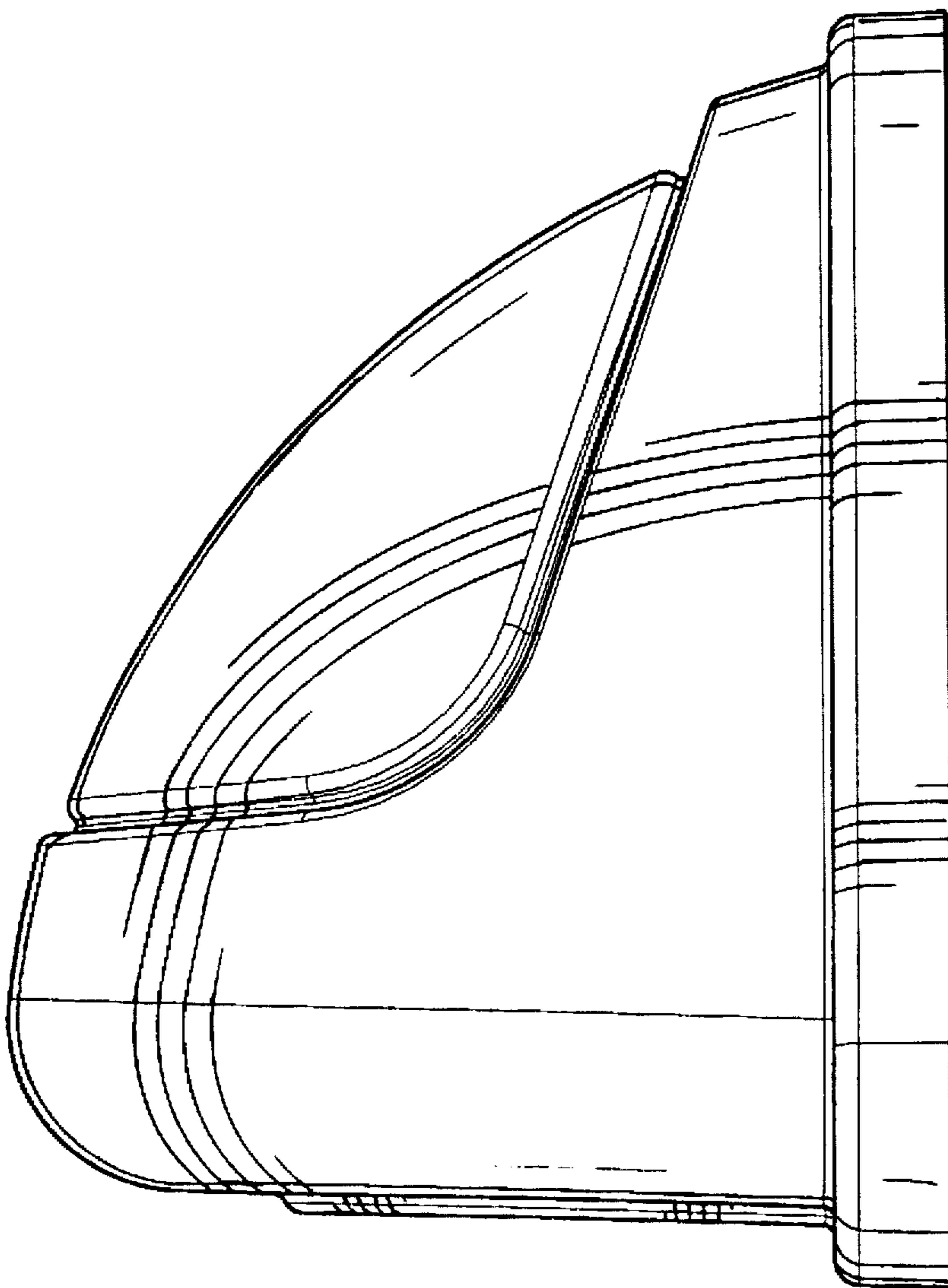


FIG. 4

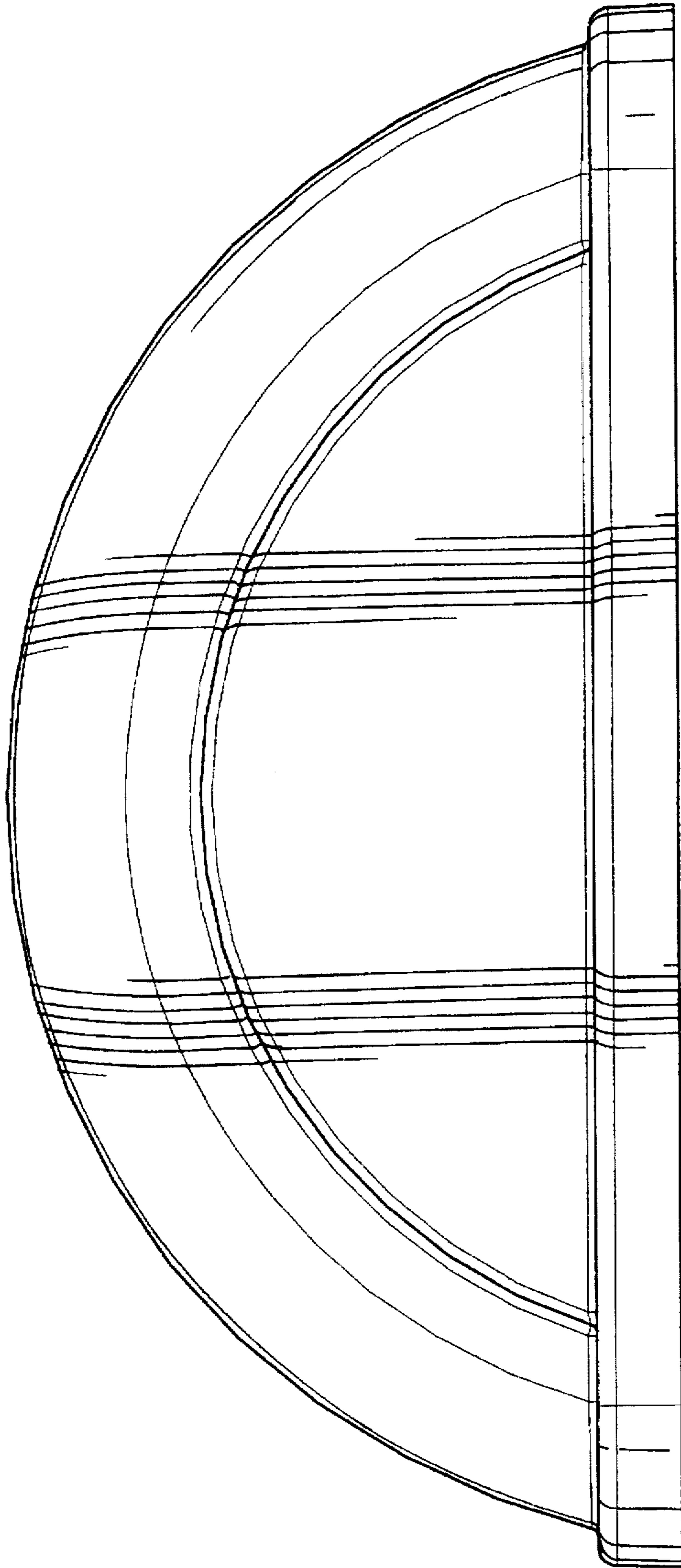


FIG. 5

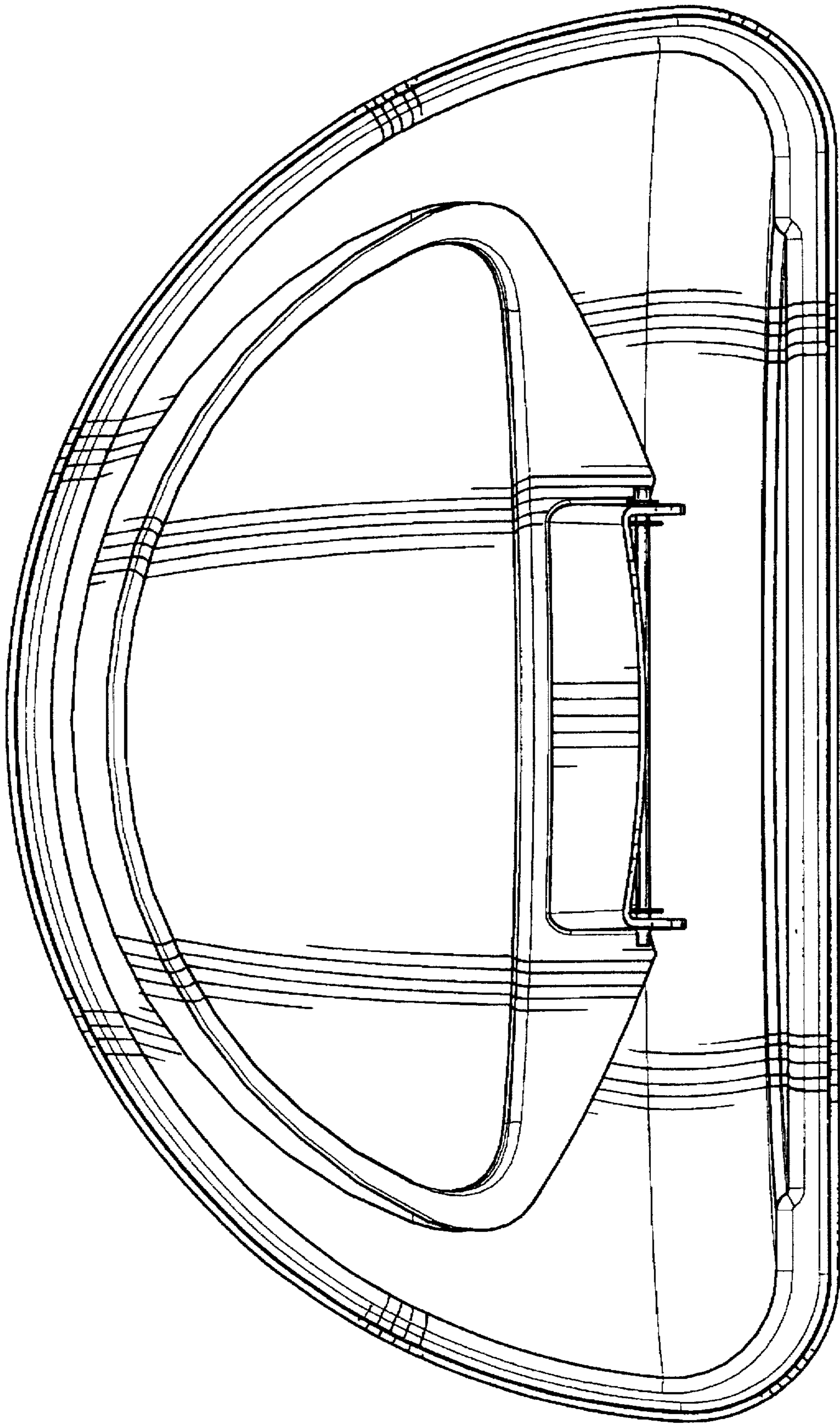


FIG. 6