



US00D391725S

United States Patent [19] Triglia

[11] Patent Number: **Des. 391,725**
[45] Date of Patent: ****Mar. 3, 1998**

[54] TRASH BAG ROLL RETAINER/DISPENSER

[75] Inventor: **Benito Triglia**, Peekskill, N.Y.

[73] Assignee: **Innovative Product Development Corp.**, Yorktown Heights, N.Y.

[**] Term: **14 Years**

[21] Appl. No.: **60,058**

[22] Filed: **Sep. 20, 1996**

[51] LOC (6) Cl. **09-09**

[52] U.S. Cl. **D34/10; D6/515**

[58] Field of Search **D34/1, 5-7, 10; D6/515, 518, 519; 206/390, 397; 220/908, 909, 403, 404, 407, 409**

[56] **References Cited**

U.S. PATENT DOCUMENTS

D. 300,972	5/1989	Streno	D34/6
D. 308,272	5/1990	Koepsell	D34/1
4,349,123	9/1982	Yang	220/404
4,364,490	12/1982	Lang et al.	220/407
4,721,226	1/1988	Yurko	220/407
4,955,505	9/1990	Battaglia	220/407
5,109,978	5/1992	Cawley	206/390
5,115,935	5/1992	Lemongelli	D34/6
5,322,180	6/1994	Ker	220/908

Primary Examiner—Alan P. Douglas
Assistant Examiner—Robin V. Taylor

Attorney, Agent, or Firm—Nolte, Nolte and Hunter, P.C.

[57] **CLAIM**

The ornamental design for a trash bag roll retainer/dispenser, as shown and described.

DESCRIPTION

FIG. 1 is a top rear perspective view of the closed end of the trash bag roll retainer/dispenser of the invention positioned within a garbage container; the garbage container shown in phantom and not forming a part of the invention;

FIG. 2 is a top, front perspective view of the open end of the trash bag roll retainer/dispenser, the interengaging clips shown in phantom and not forming a part of the invention;

FIG. 3 is an end elevational view of the same trash bag roll retainer/dispenser taken at the open end;

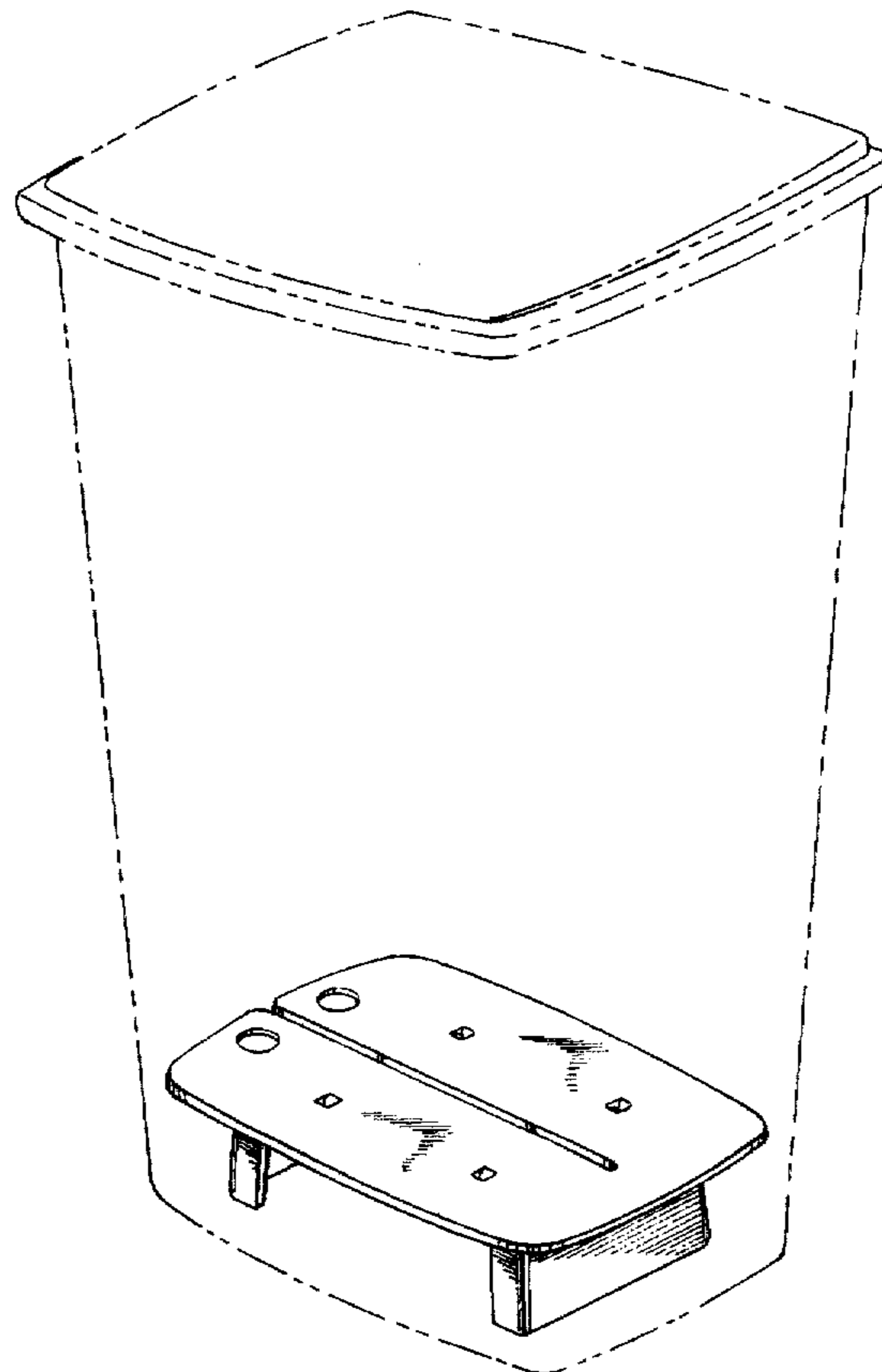
FIG. 4 is a side elevational view of one side of the same trash bag roll retainer/dispenser; the other side of the dispenser having the same appearance;

FIG. 5 is an end elevational view of the same trash bag roll retainer/dispenser taken at the closed end;

FIG. 6 is a top plan view of the same trash bag roll retainer/dispenser; the interengaging clips of the parts of the dispenser shown in phantom and not forming a part of the invention; and,

FIG. 7 is a bottom plan view of the same trash bag roll retainer/dispenser; the interengaging clips of the part of the dispenser shown in phantom and not forming a part of the invention.

1 Claim, 4 Drawing Sheets



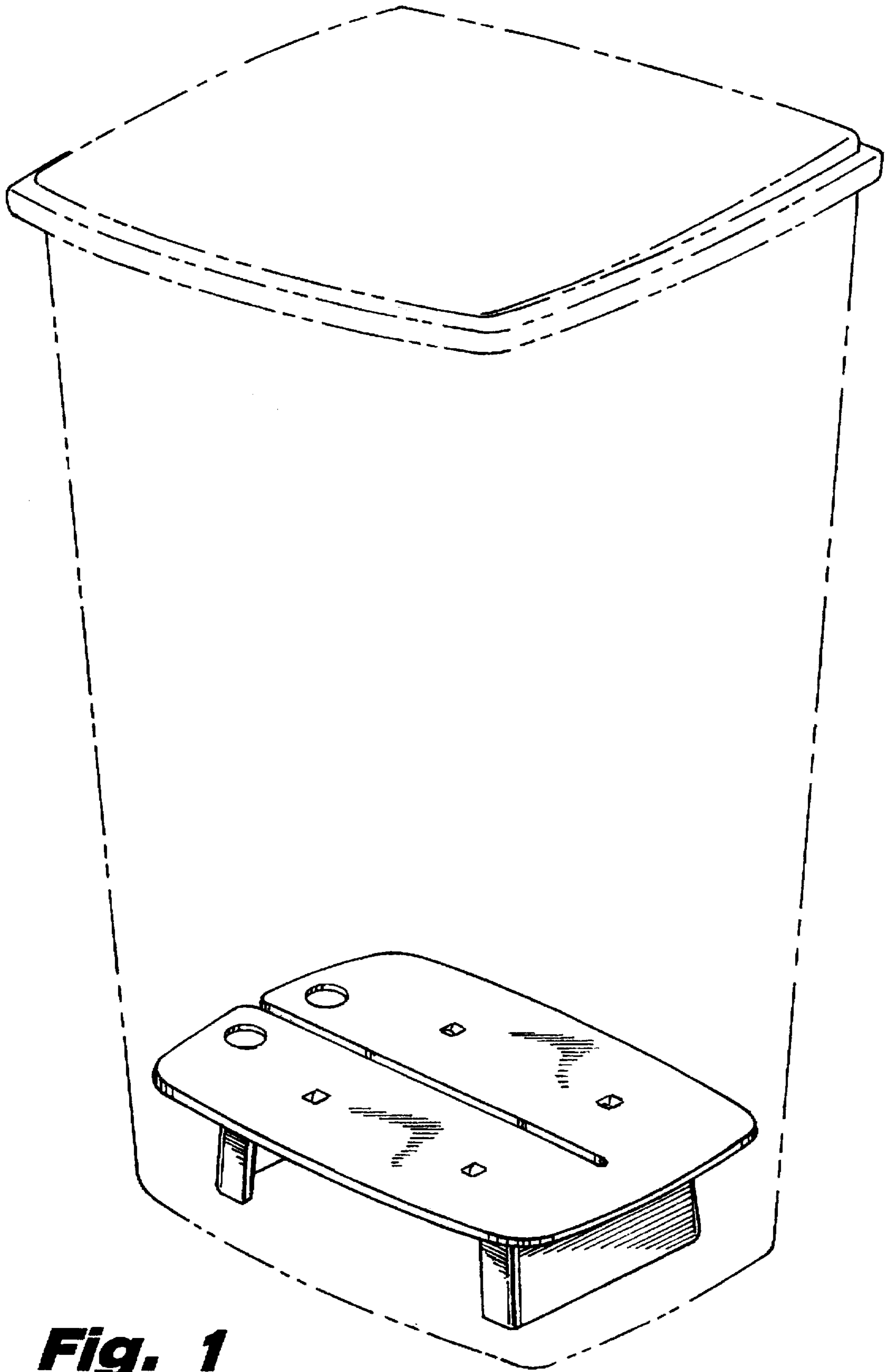


Fig. 1

Fig. 2

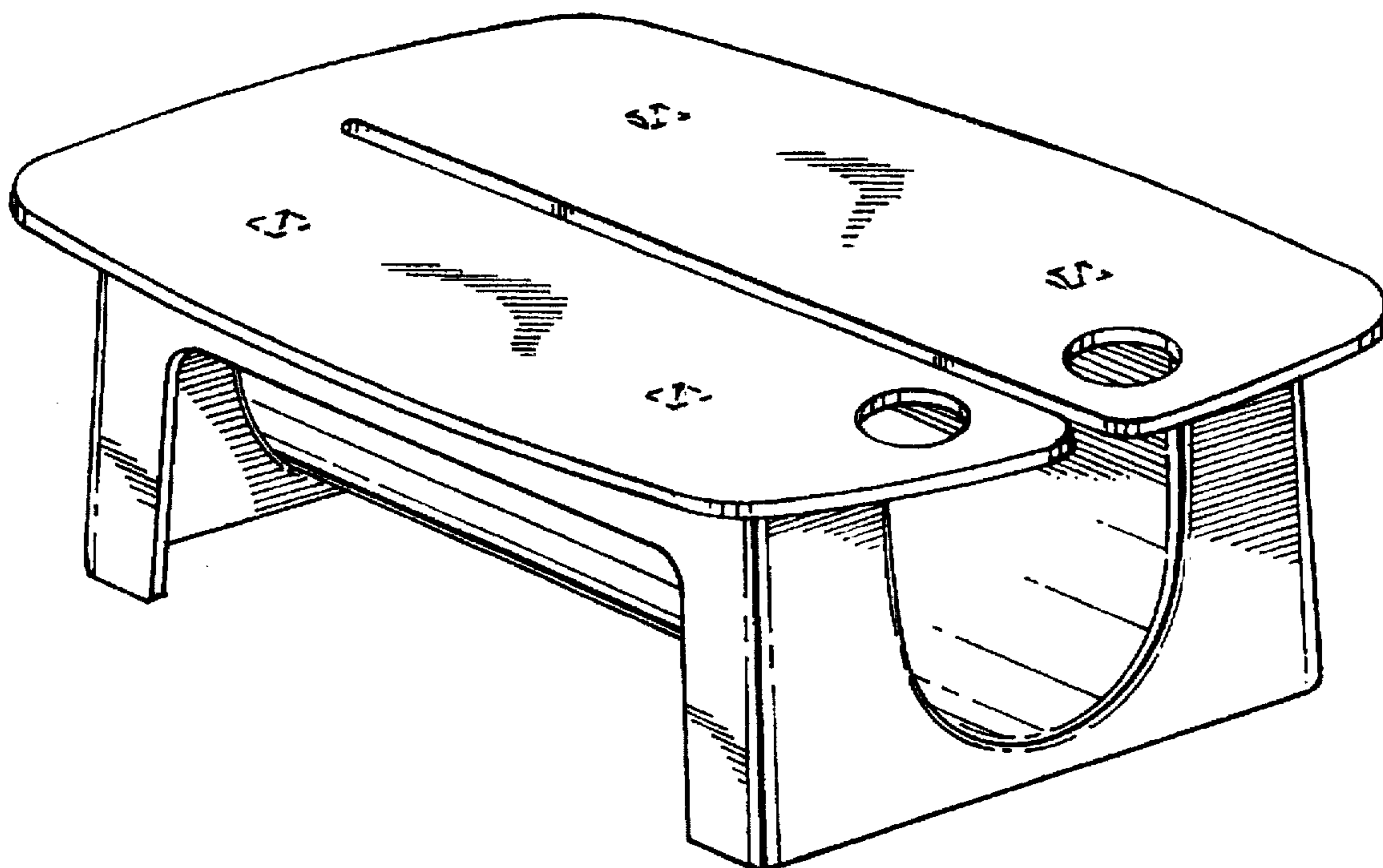


Fig. 3

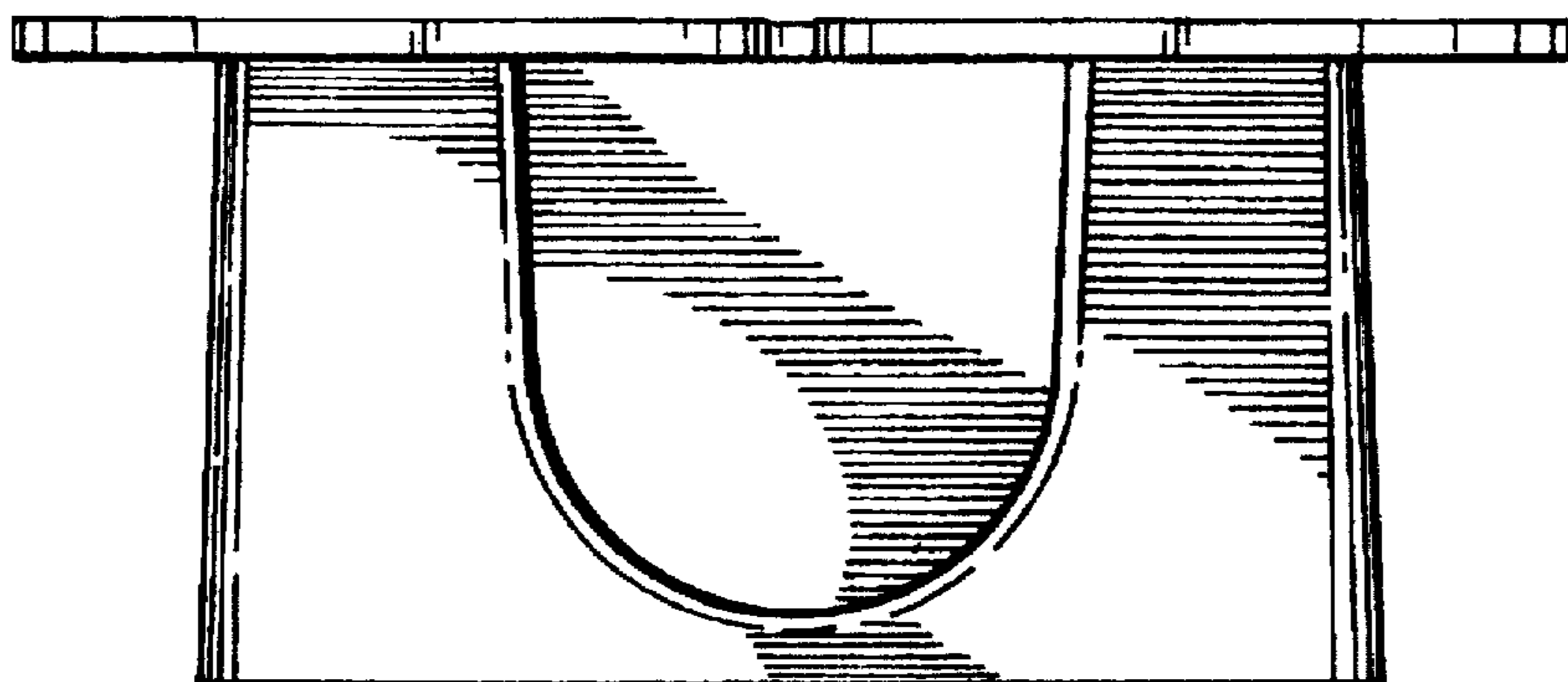


Fig. 4

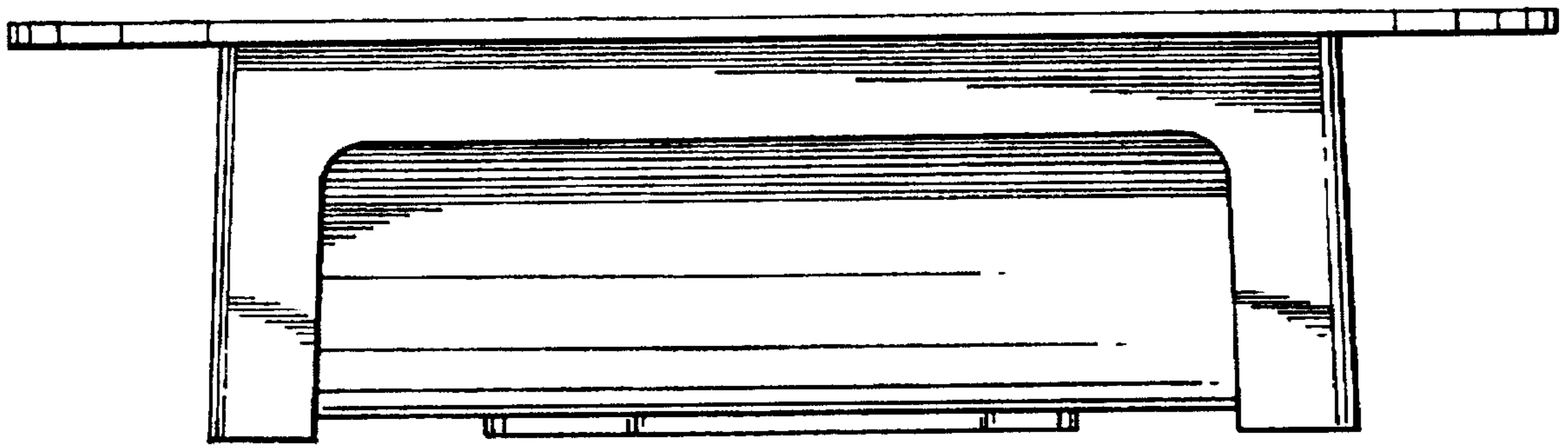


Fig. 5

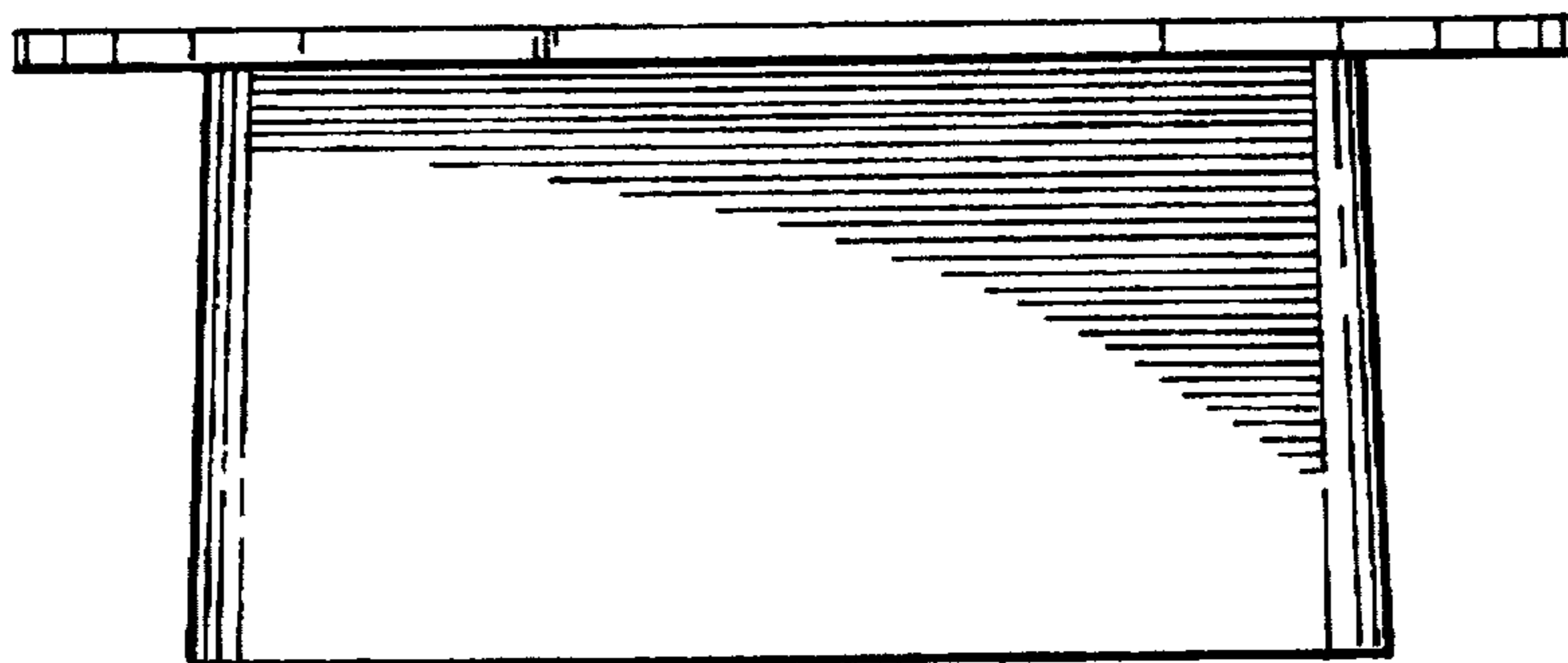


Fig. 6

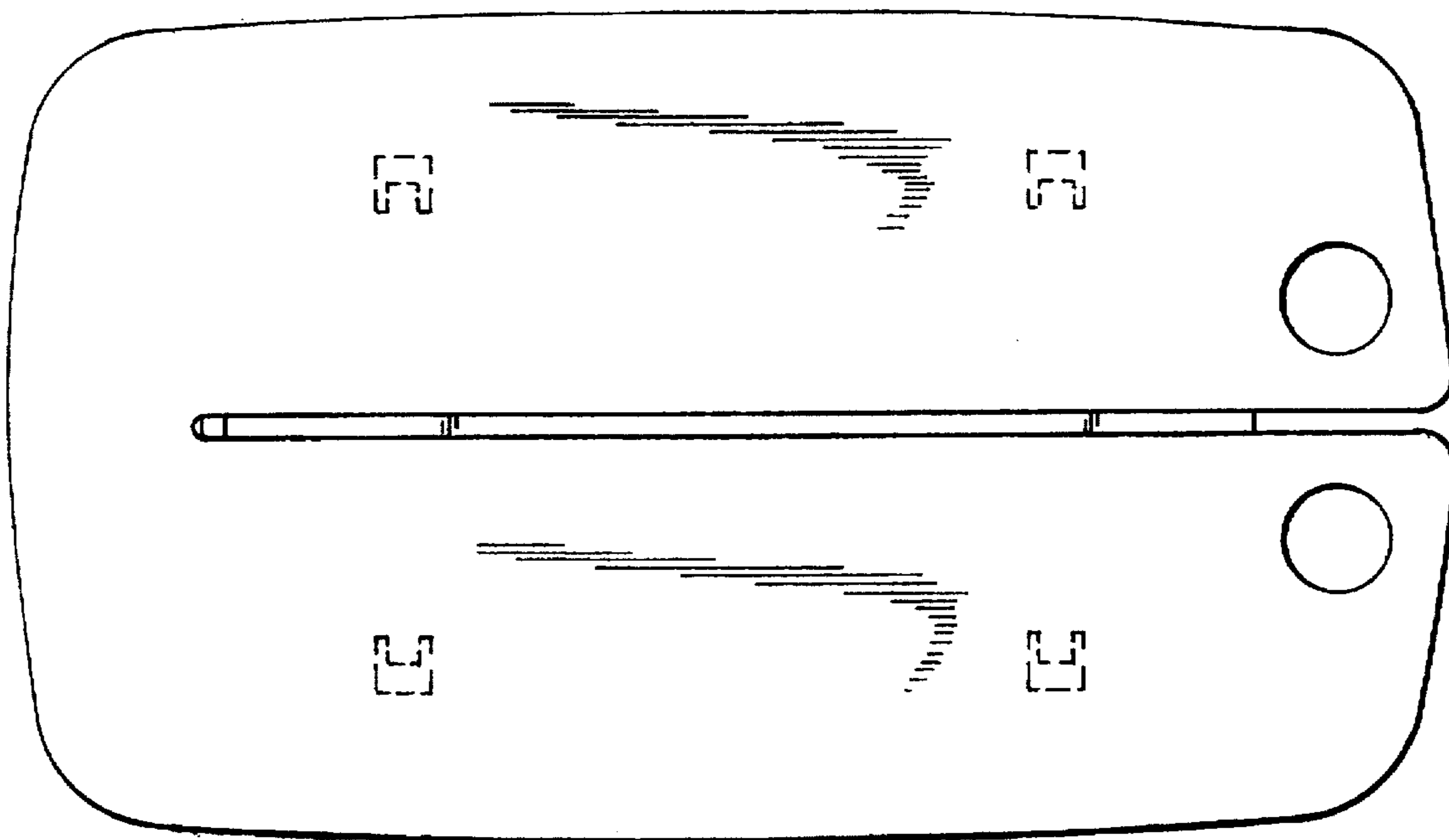


Fig. 7

