



US00D391724S

**United States Patent** [19]  
**Blackburn**

[11] **Patent Number:** **Des. 391,724**  
[45] **Date of Patent:** **\*\*Mar. 3, 1998**

[54] **FLEXIBLE BAG FILLING SUPPORT**

5,354,132 10/1994 Young et al. .... 383/49  
5,597,022 1/1997 Reifers ..... 220/404

[76] **Inventor:** **Bobby Dee Blackburn**, 1303 Oakwood Rd., Jonesboro, Ga. 30236

*Primary Examiner*—Alan P. Douglas  
*Assistant Examiner*—Robin V. Taylor  
*Attorney, Agent, or Firm*—David L. Volk

[\*\*] **Term:** **14 Years**

[57] **CLAIM**

[21] **Appl. No.:** **69,535**

The ornamental design for a flexible bag filling support, as shown and described.

[22] **Filed:** **Apr. 25, 1997**

[51] **LOC (6) Cl.** ..... **09-09**

[52] **U.S. Cl.** ..... **D34/5**

[58] **Field of Search** ..... D34/1, 5-11; 220/908-911, 220/403, 404; 248/95, 97, 99, 100

**DESCRIPTION**

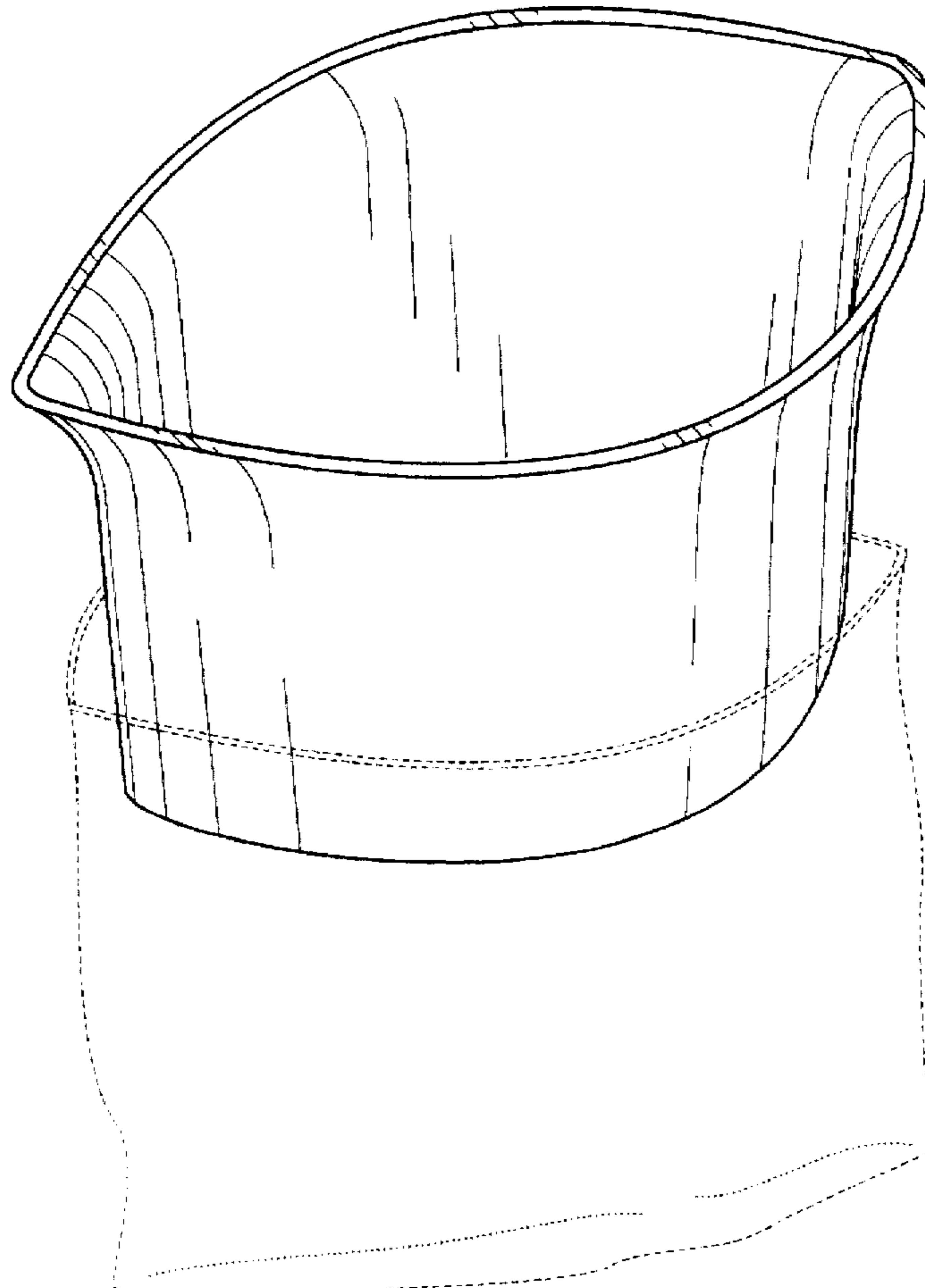
FIG. 1 is a perspective view of a flexible bag filling support showing my new design;  
FIG. 2 is a perspective view thereof, shown inserted into a flexible bag;  
FIG. 3 is a top plan view thereof;  
FIG. 4 is a bottom plan view thereof;  
FIG. 5 is a front elevational view thereof, the rear view being a mirror image; and,  
FIG. 6 is a left side elevational view thereof, the opposite side being a mirror image.  
The broken line illustration shows environmental structure and forms no part of the claimed invention.

[56] **References Cited**

**U.S. PATENT DOCUMENTS**

D. 236,938	9/1975	Bowen	.....	D34/10
D. 304,872	11/1989	Jebb	.....	D34/5
D. 308,270	5/1990	Sarabia	.....	D34/5
D. 309,960	8/1990	Applebaugh	.....	D29/7
D. 345,642	3/1994	Tucker et al.	.....	D34/10
D. 361,185	8/1995	Seiler et al.	.....	D34/5
4,832,292	5/1989	Beckham	.....	248/99
5,219,006	6/1993	Bishop	.....	141/1

**1 Claim, 3 Drawing Sheets**



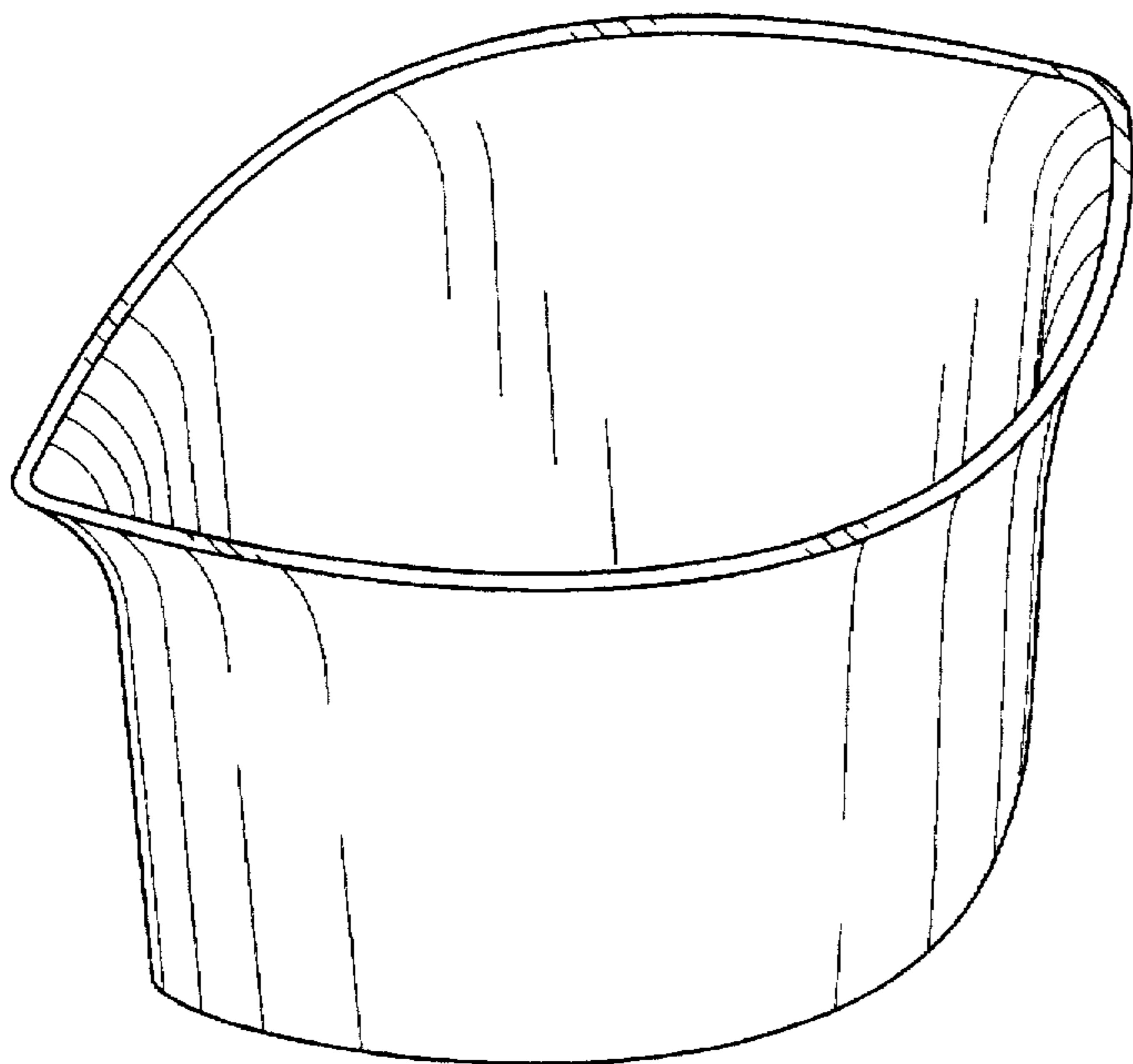


FIG. 1

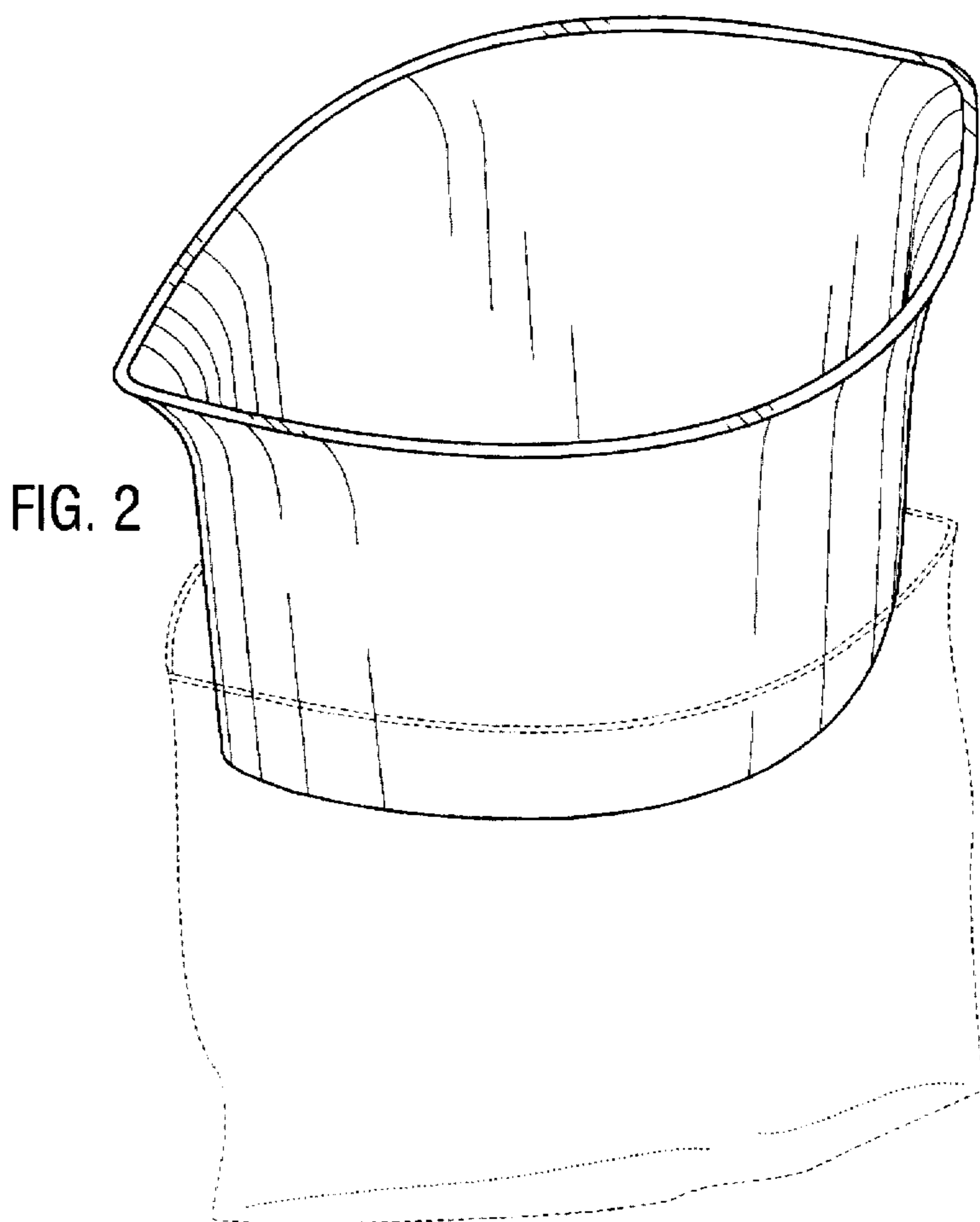


FIG. 2

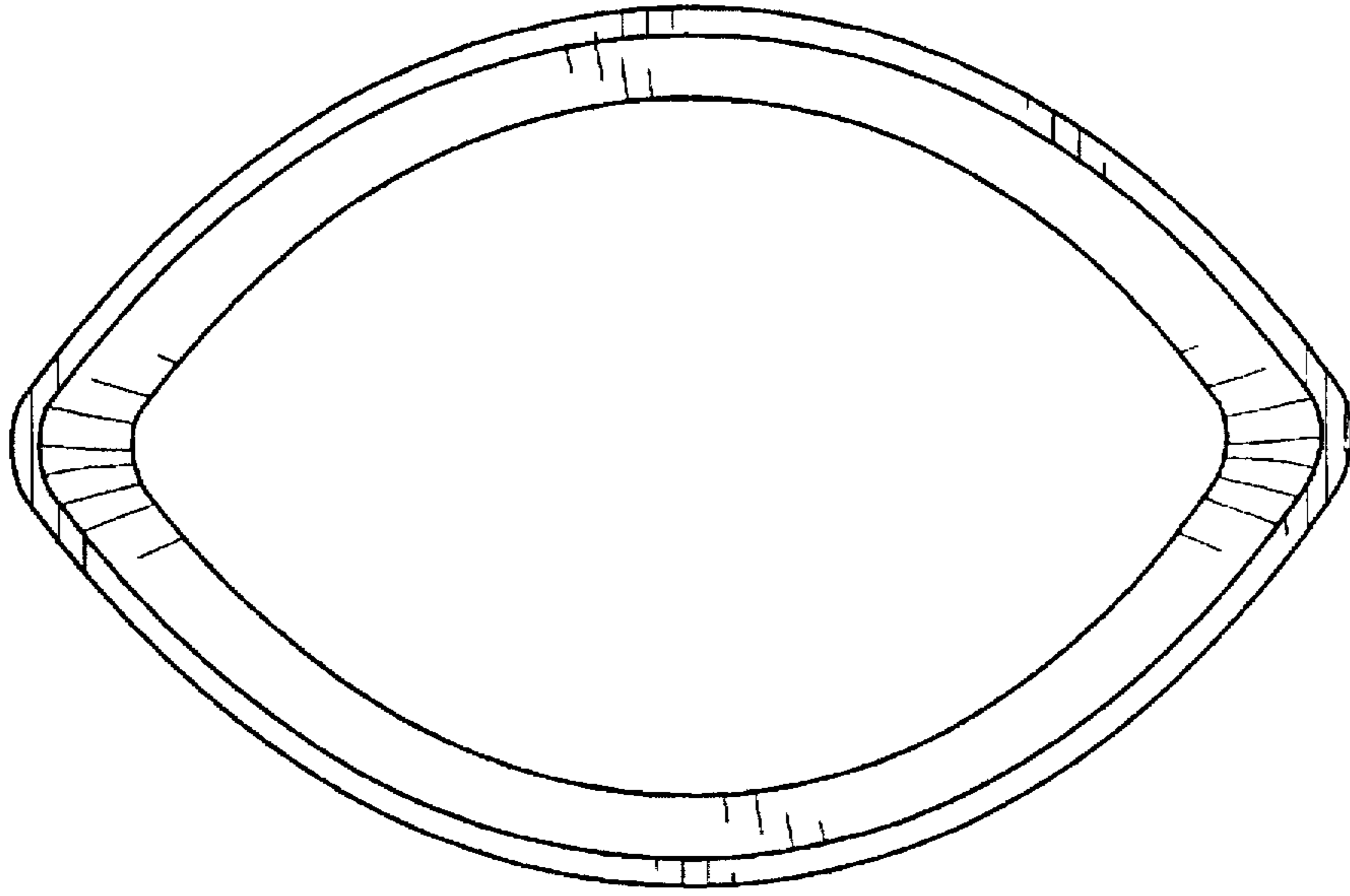


FIG. 3

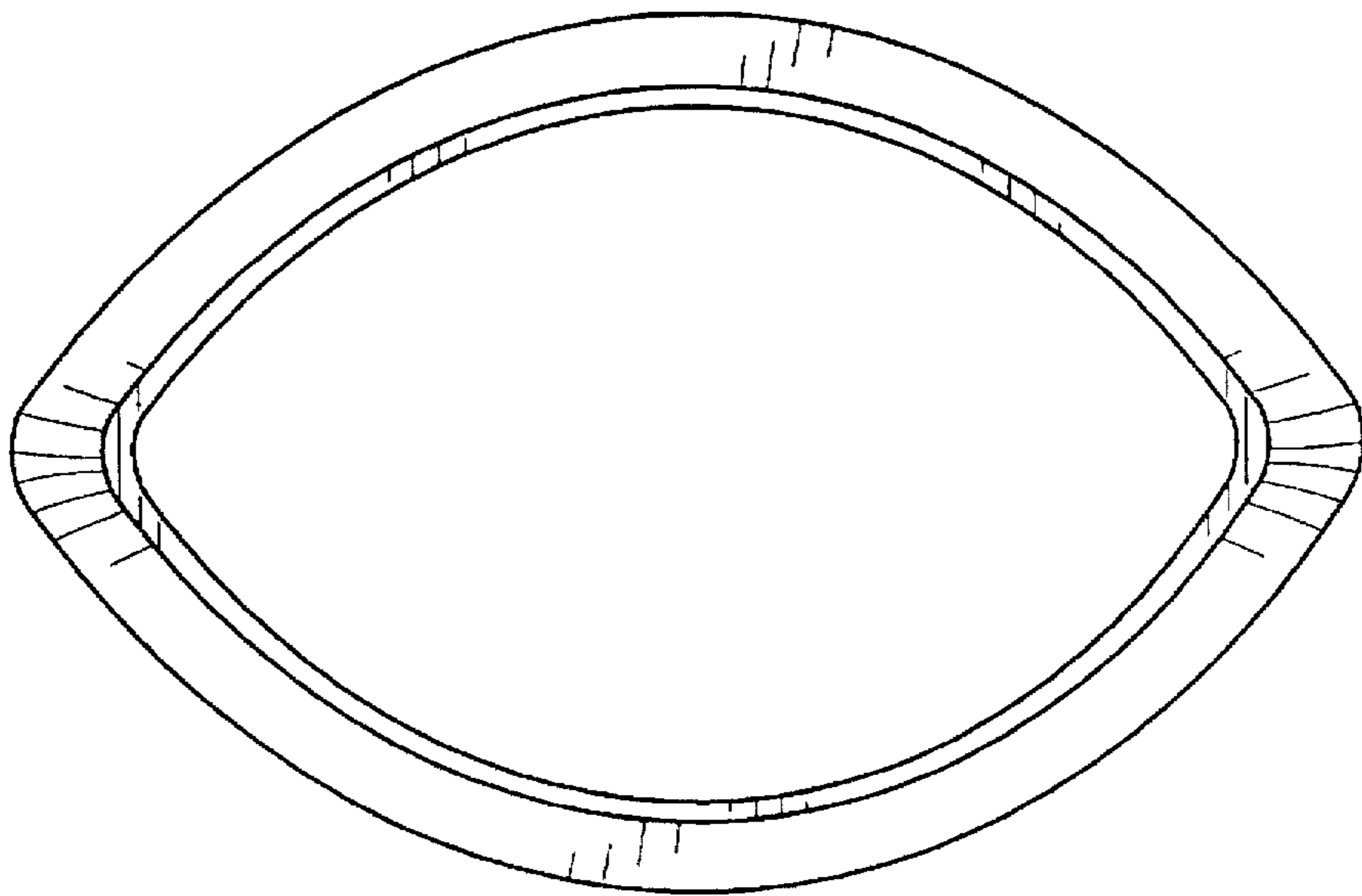


FIG. 4

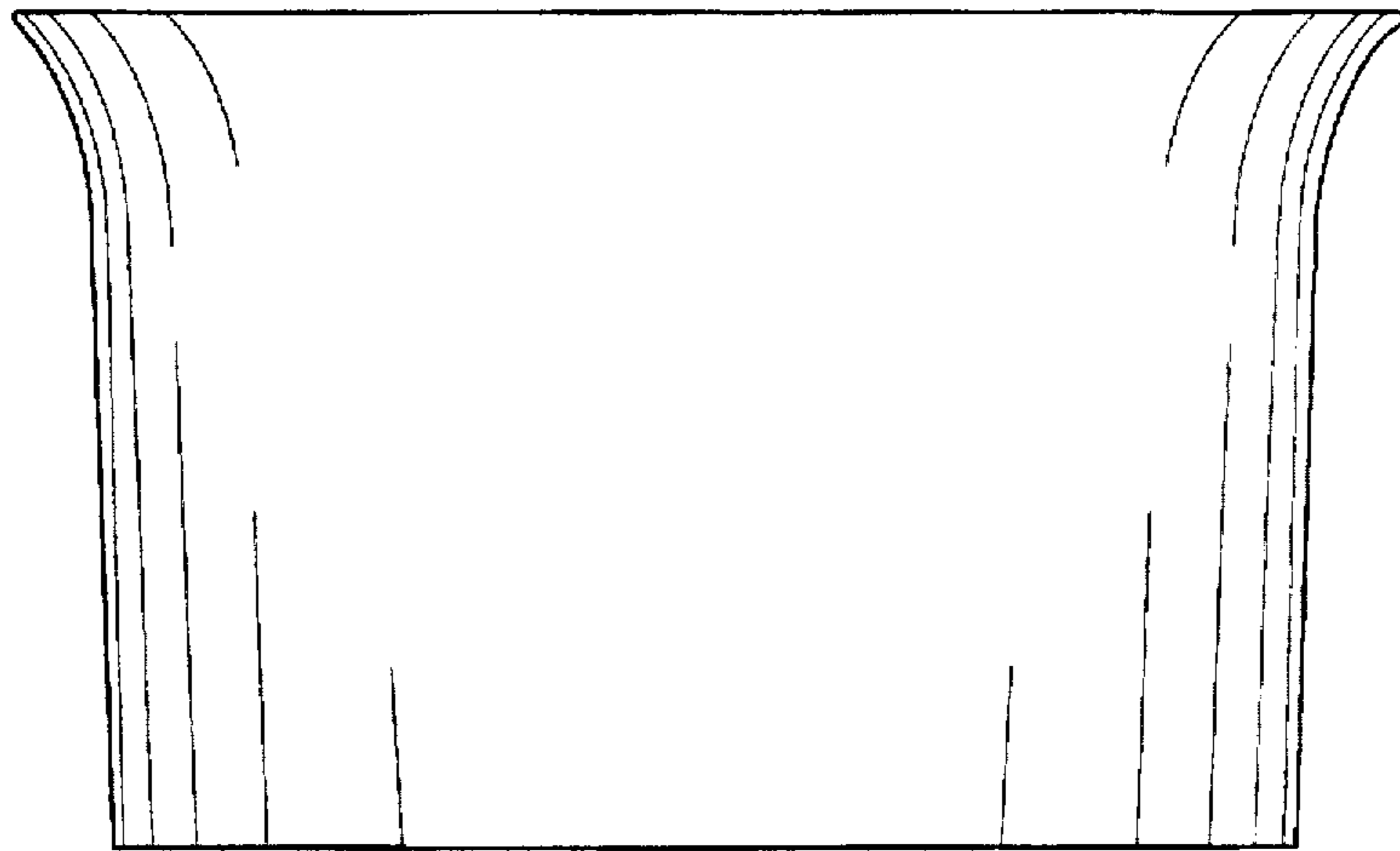


FIG. 5

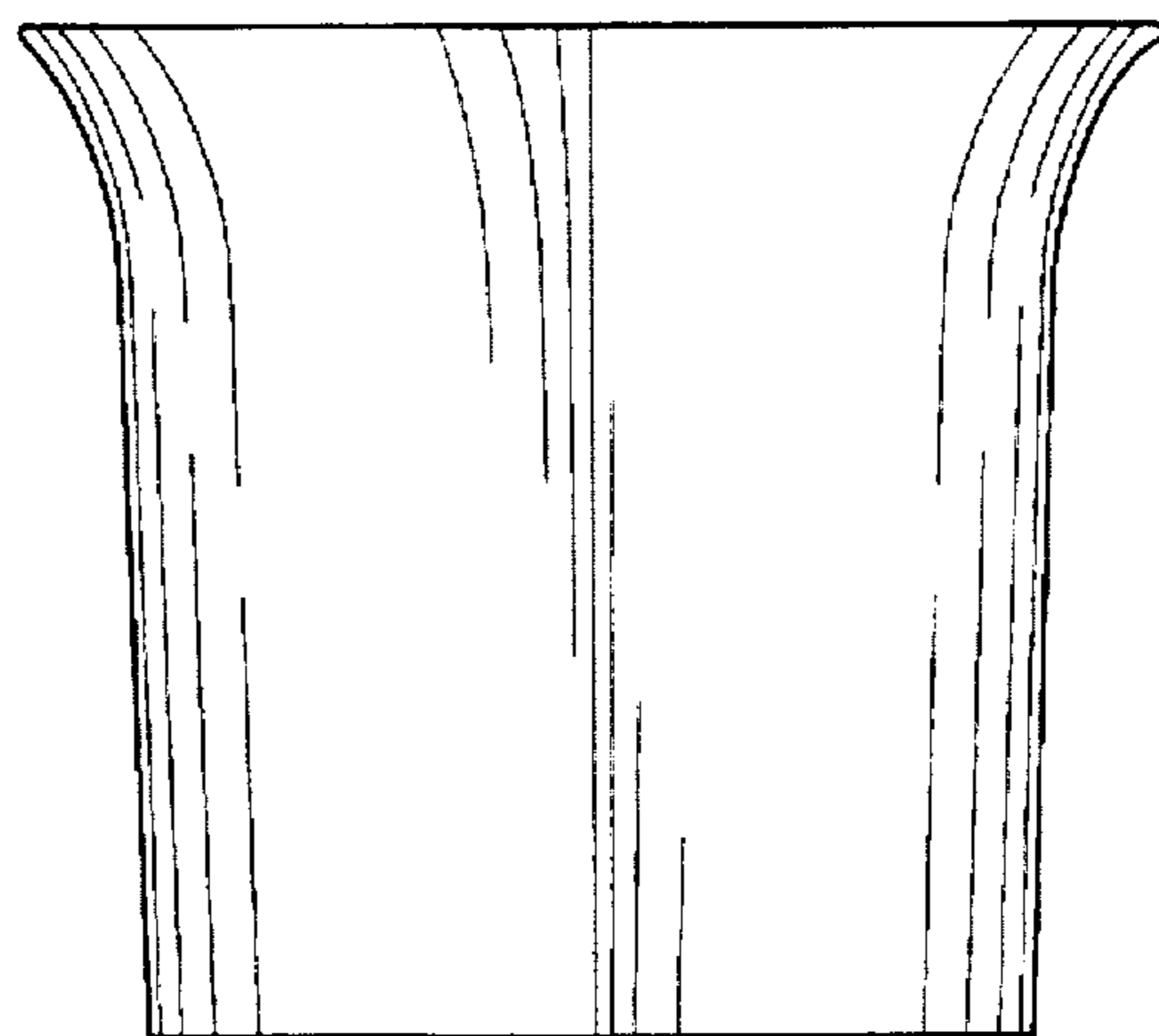


FIG. 6