



US00D391719S

United States Patent [19]

Anderson

[11] Patent Number: **Des. 391,719**

[45] Date of Patent: ****Mar. 3, 1998**

[54] **ELECTRIC DRYING RACK**

[75] Inventor: **Kevin Anderson**, Upper Hutt, New Zealand

[73] Assignee: **Hydraflow Industries Limited**, Upper Hutt, New Zealand

[**] Term: **14 Years**

[21] Appl. No.: **67,010**

[22] Filed: **Feb. 20, 1997**

[51] LOC (6) Cl. **07-05**

[52] U.S. Cl. **D32/58**

[58] Field of Search D32/58-60; D6/462, D6/513; 34/239, 553; 248/353; 211/86, 90, 104, 99, 100, 119.01

[56] **References Cited**

U.S. PATENT DOCUMENTS

D. 136,075	7/1943	Luger	D32/58
D. 200,728	3/1965	Spielman	D32/58
D. 238,410	1/1976	Weick	D32/58
D. 353,244	12/1994	Brazis	D32/58
1,667,657	4/1928	Dobert	211/99

Primary Examiner—Kay H. Chin
Assistant Examiner—Robin V. Taylor
Attorney, Agent, or Firm—McAulay Fisher Nissen Goldberg & Kiel, LLP

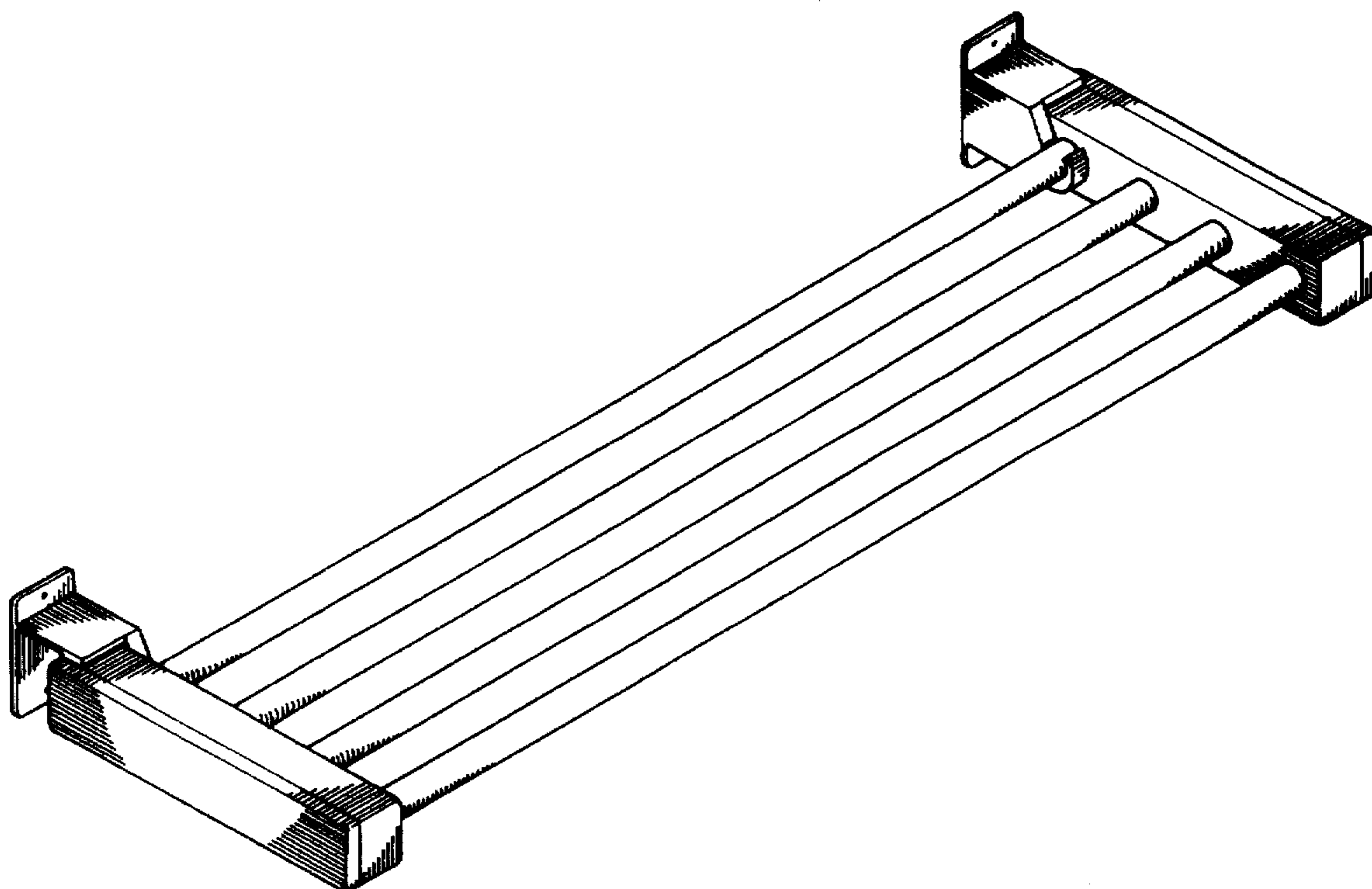
[57] **CLAIM**

The ornamental design for an electric drying rack, as shown and described.

DESCRIPTION

FIG. 1 is a perspective view of the electric drying rack in an operative position;
FIG. 2 is an alternate view to FIG. 1, except the drying rack is folded up out of the way on its wall mounting brackets, in which position it is intended to be stored while not in use;
FIG. 3 is a right side elevational view of the electric drying rack shown in FIG. 1;
FIG. 4 is a left side elevational view of the electric drying rack shown in FIG. 1;
FIG. 5 is a front elevational view of the electric drying rack shown in FIG. 1;
FIG. 6 is a rear elevational view of the electric drying rack shown in FIG. 1; and
FIG. 7 is a plan view of the electric drying rack shown in FIG. 1.

1 Claim, 3 Drawing Sheets



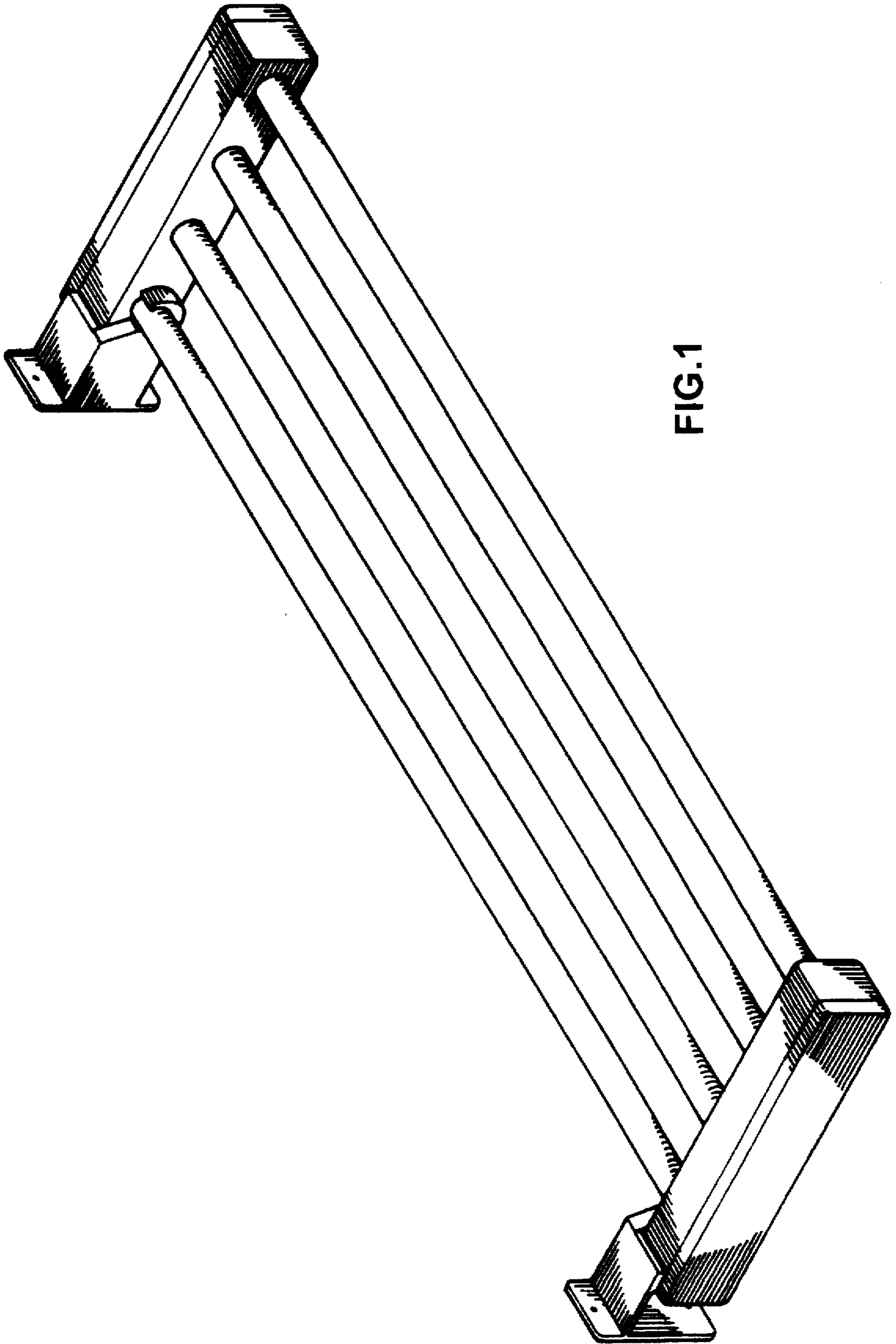


FIG.1

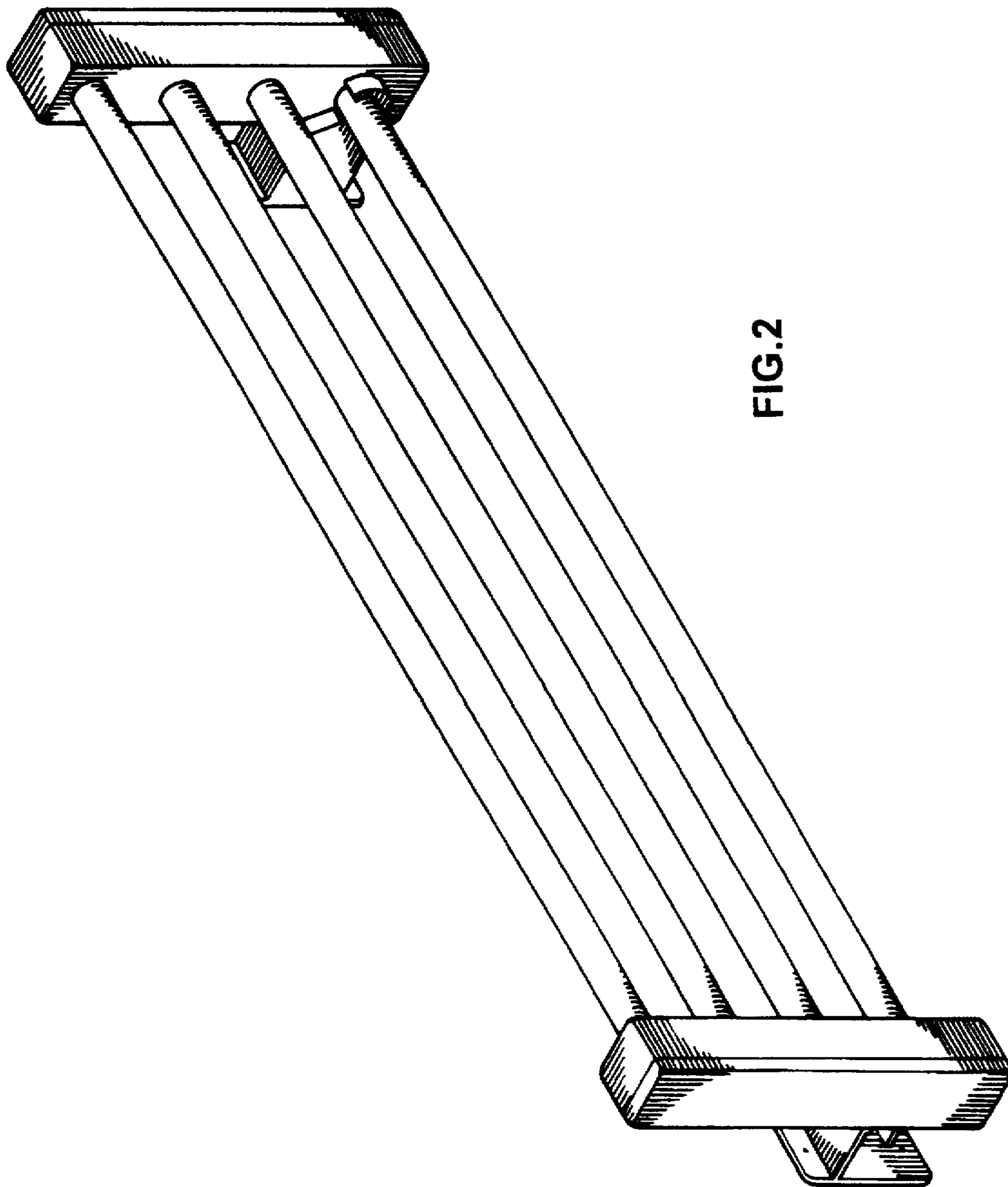


FIG.2

