



US00D391717S

United States Patent [19]
Stein

[11] **Patent Number:** **Des. 391,717**
[45] **Date of Patent:** ****Mar. 3, 1998**

- [54] **LID/SEAT FOR A BUCKET**
- [75] **Inventor:** **Harvey L. Stein, Annapolis, Md.**
- [73] **Assignee:** **Hometown Advantage, Inc., Annapolis, Md.**
- [**] **Term:** **14 Years**
- [21] **Appl. No.:** **58,153**
- [22] **Filed:** **Aug. 8, 1996**
- [51] **LOC (6) Cl.** **19-06**
- [52] **U.S. Cl.** **D32/54**
- [58] **Field of Search** **D32/53, 53.1, D32/54; 222/570; D9/434, 435, 436; 15/264; 220/697, 698, 699, 700, 701, 904**

4,782,970 11/1988 Edwards 220/908
5,123,576 6/1992 Lawrence 222/570

Primary Examiner—Kay H. Chin
Assistant Examiner—Robin V. Taylor
Attorney, Agent, or Firm—Shapiro and Shapiro

[57] **CLAIM**

The ornamental design for a lid/seat for a bucket, as shown and described.

DESCRIPTION

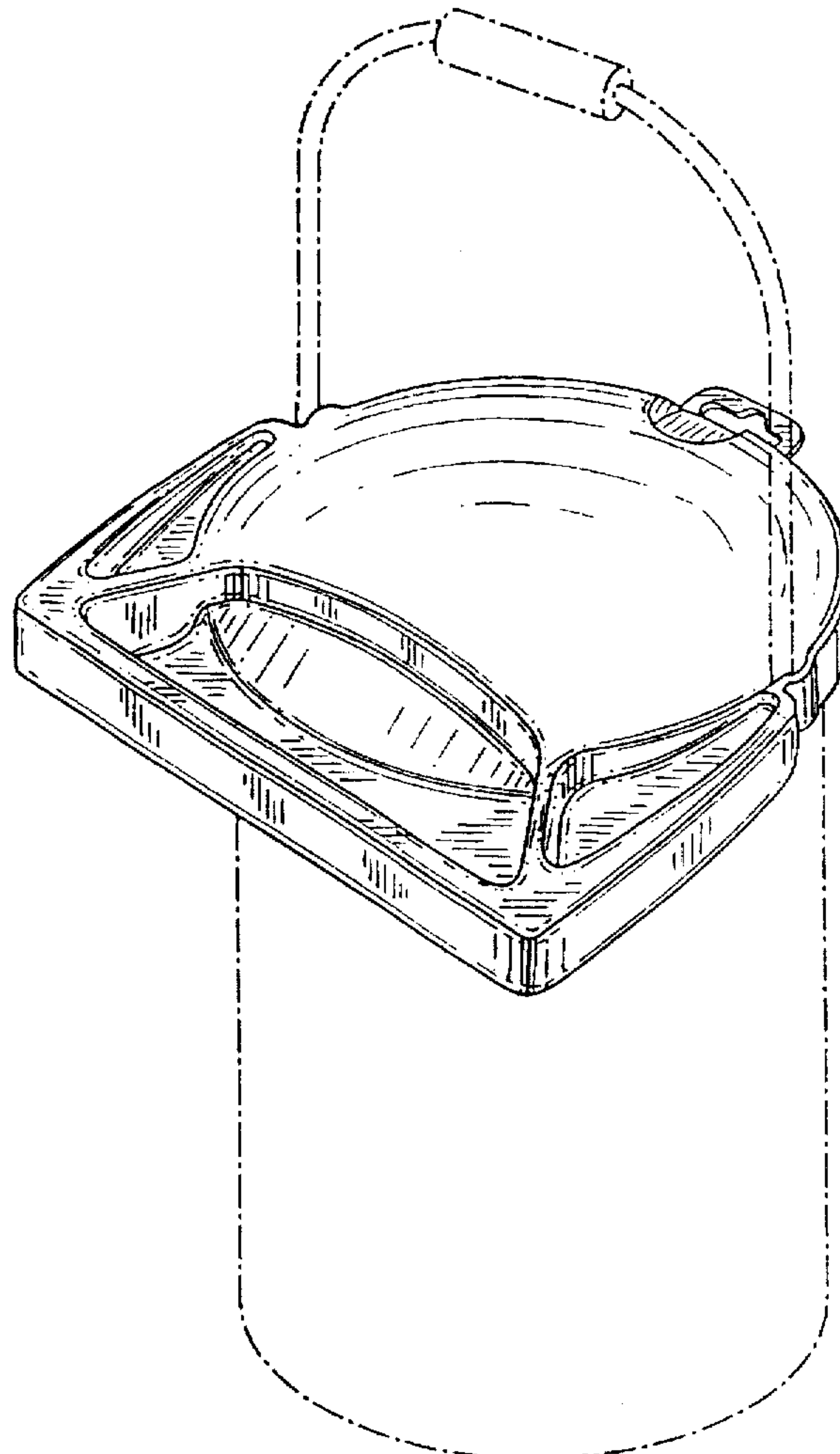
FIG. 1 is a perspective view of a lid/seat for a bucket showing my new design; the broken line showing is for illustrative purposes only and forms no part of the claimed design;
FIG. 2 is a top plan view thereof;
FIG. 3 is a rear elevational view thereof;
FIG. 4 is a side elevational view thereof, the opposite side being a mirror image;
FIG. 5 is a front elevational view thereof; and,
FIG. 6 is a bottom plan view thereof.

[56] **References Cited**

U.S. PATENT DOCUMENTS

- D. 236,578 9/1975 Powell D32/53
- D. 328,507 8/1992 Campbell D32/53
- D. 345,833 4/1994 Truran D32/54
- 4,203,537 5/1980 McAlister D32/54

1 Claim, 4 Drawing Sheets



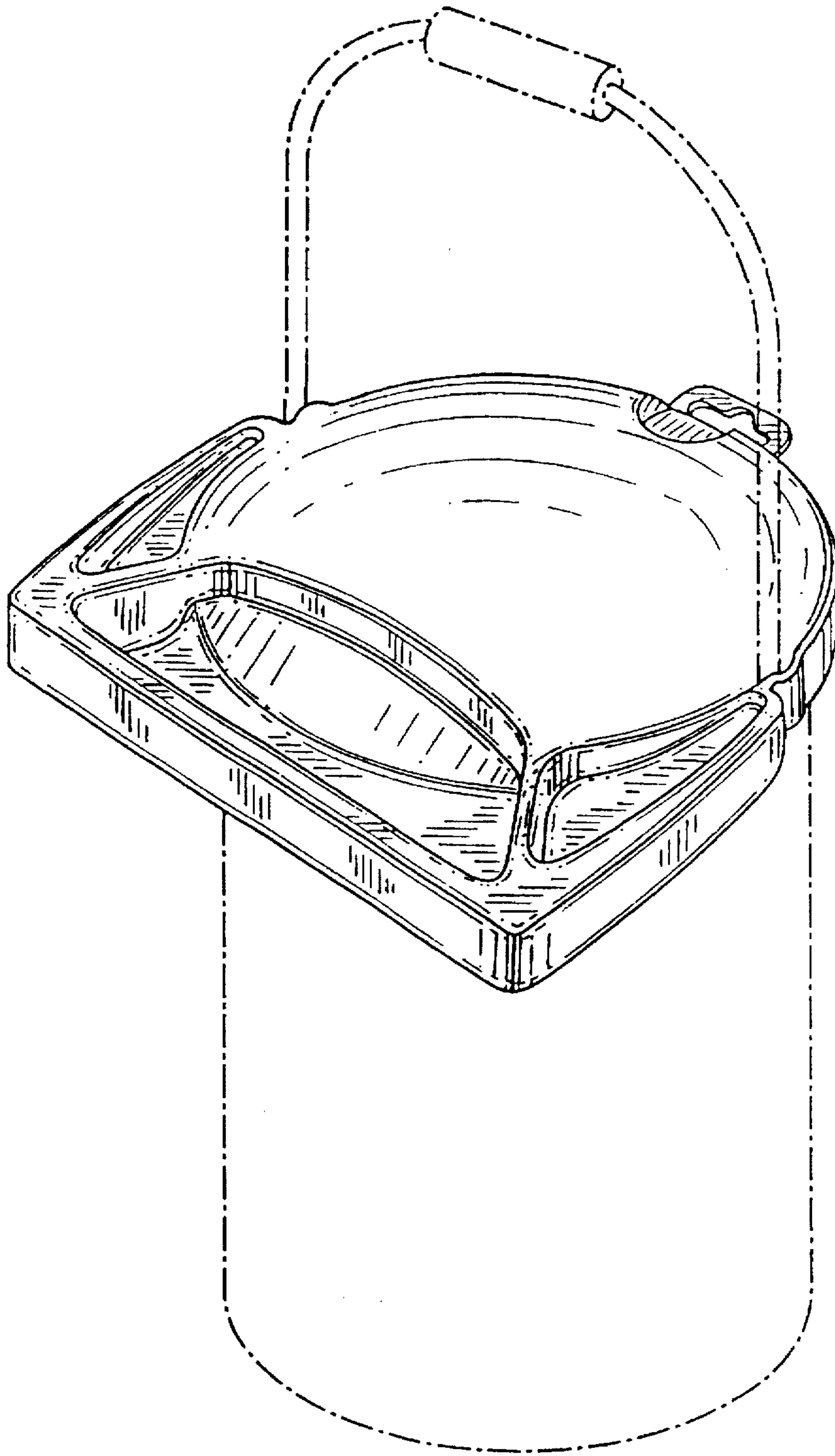


FIG. 1

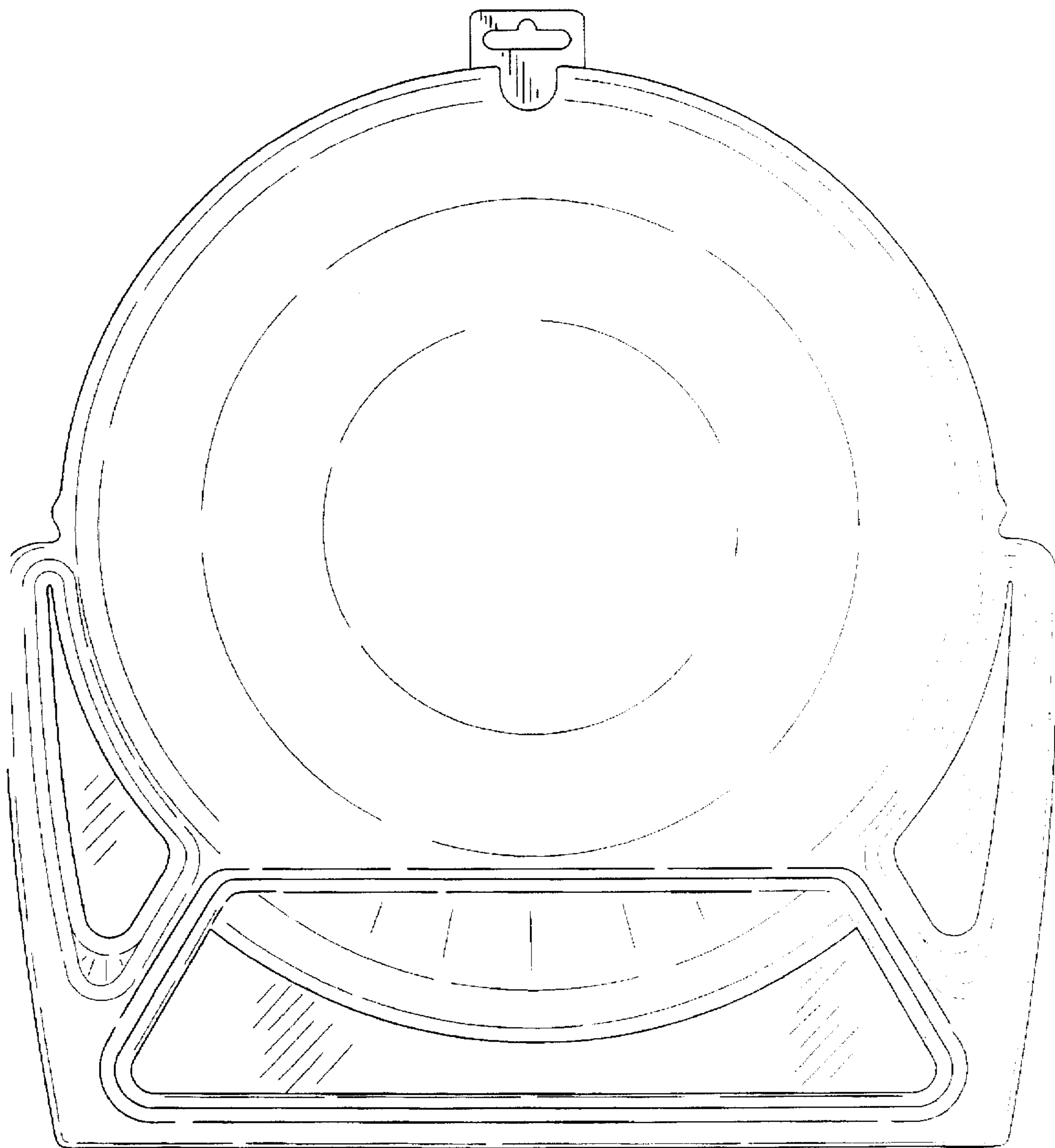


FIG. 2

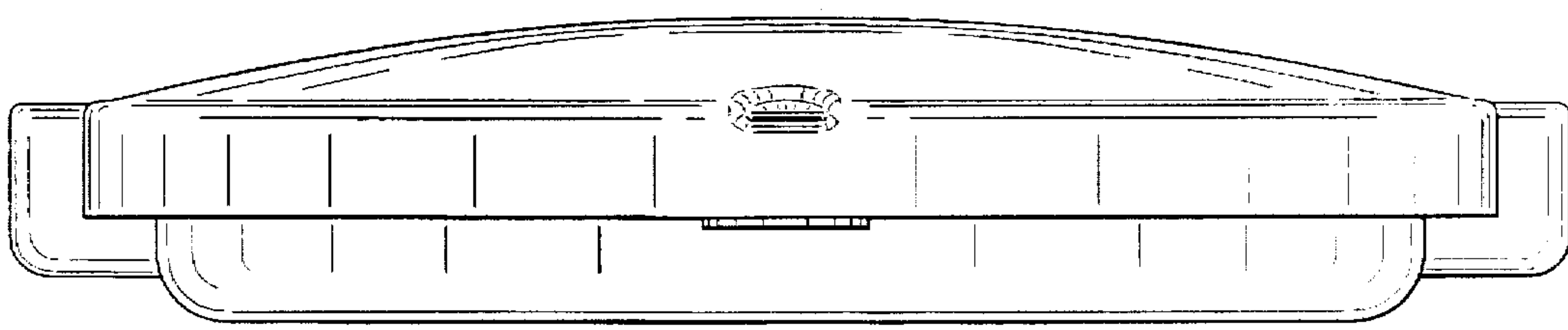


FIG. 3

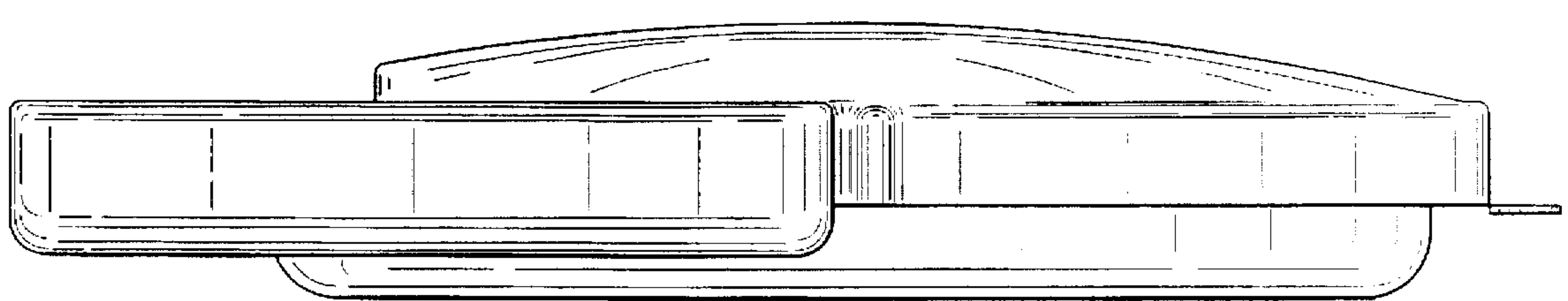


FIG. 4

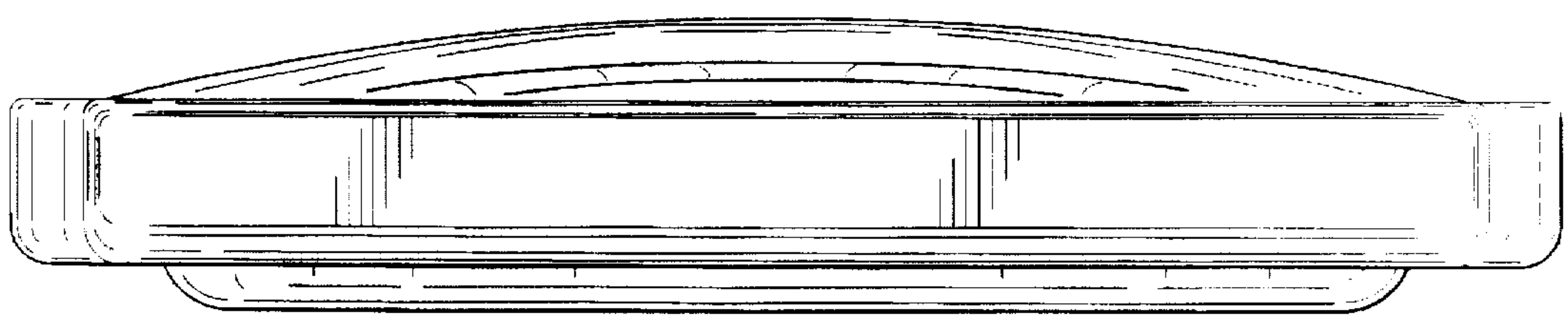


FIG. 5

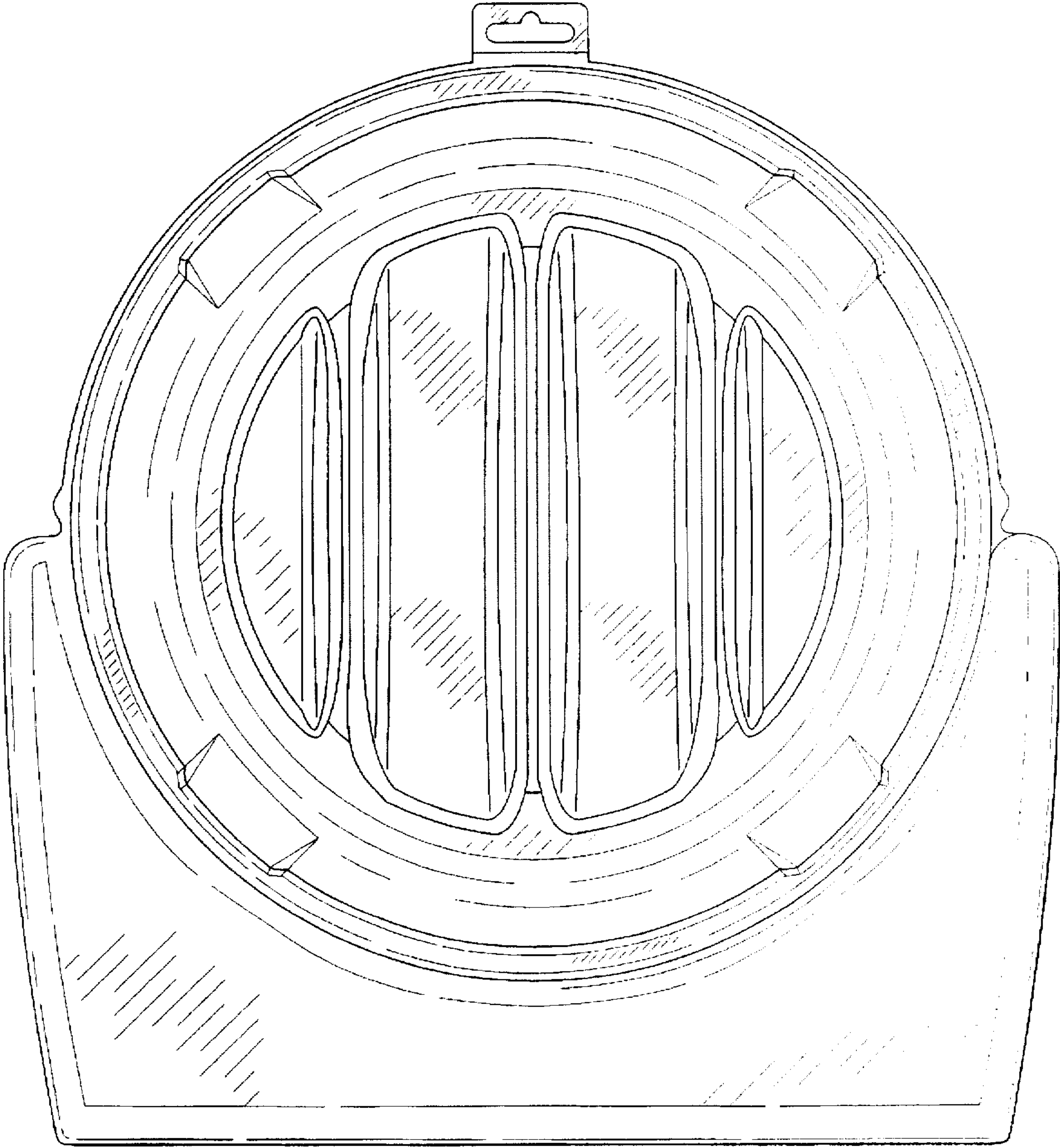


FIG. 6