



US00D391716S

United States Patent [19]

[11] Patent Number: **Des. 391,716**

Lyles, Sr.

[45] Date of Patent: ****Mar. 3, 1998**

[54] COMBINED DUAL CLAMP MOP HOLDER AND MOP HEAD

[76] Inventor: **Charles Franklin Lyles, Sr., 2027 Featherbed La., Woodlawn, Md. 21207**

[**] Term: **14 Years**

[21] Appl. No.: **65,196**

[22] Filed: **Jan. 23, 1997**

[51] LOC (6) Cl. **04-01**

[52] U.S. Cl. **D32/51**

[58] Field of Search D32/40, 49, 50, D32/51, 52; 15/115, 229.1, 229.2, 147.1, 147.2, 149, 150, 153, 116.1, 116.2, 229.5, 228, 229.3, 229.4, 229.6, 229.7, 229.8, 120.2

[56] References Cited

U.S. PATENT DOCUMENTS

D. 139,173	10/1944	Cambern	D32/50
D. 163,585	6/1951	Vore	15/105 X
166,850	8/1875	Clark	15/153
416,163	12/1889	Hanson	15/245
1,459,525	6/1923	Finton	15/153
1,464,500	8/1923	Dennis	15/153
1,564,332	12/1925	Elias	15/150
1,934,342	11/1933	Canino	15/153 X
2,005,904	6/1935	Myers	15/153
2,175,157	10/1939	Nu-Dell	15/152

2,222,834	11/1940	Cooper	15/116.1 X
2,900,652	8/1959	Kautenberg	15/150
3,081,474	3/1963	Modrak	15/229.2
3,398,420	8/1968	Manning	15/150
4,523,347	6/1985	Tames	15/118 X
4,850,072	7/1989	Smith	15/147.1

Primary Examiner—Susan J. Lucas
Assistant Examiner—Cynthia E. Ramirez

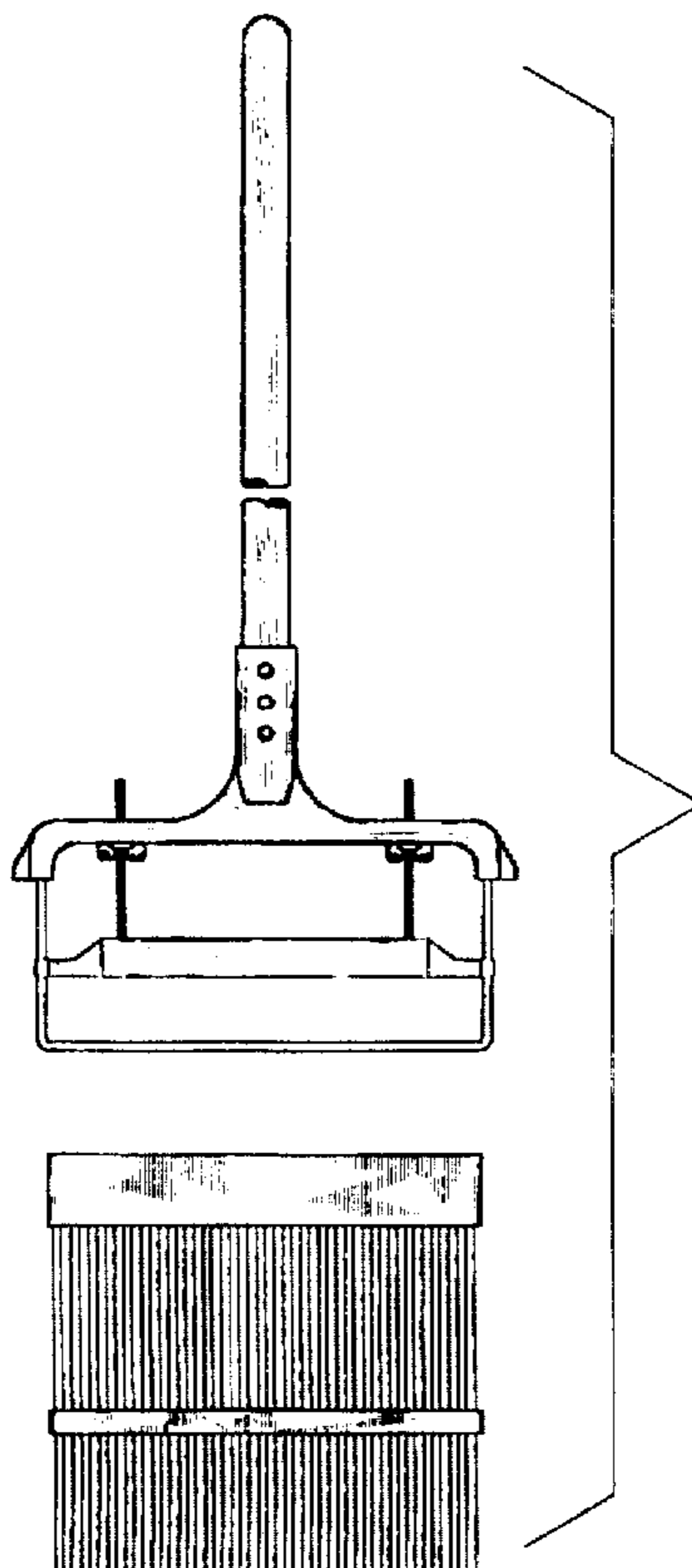
[57] CLAIM

The ornamental design for a combined dual clamp mop holder and mop head, as shown.

DESCRIPTION

FIG. 1 is a left side plan view of the combined dual clamp mop holder and mop head of the present invention;
 FIG. 2 is right side plan view of the combined dual clamp mop holder and mop head of FIG. 1;
 FIG. 3 is a front plan view of the combined dual clamp mop holder and mop head of FIG. 1;
 FIG. 4 is a rear plan view of the combined dual clamp mop holder and mop head of FIG. 1;
 FIG. 5 is a top plan view of the combined dual clamp mop holder and mop head of FIG. 1; and,
 FIG. 6 is bottom plan view of the combined dual clamp mop holder and mop head of FIG. 1.
 The handle is shown broken away in the disclosure for convenience of illustration.

1 Claim, 3 Drawing Sheets



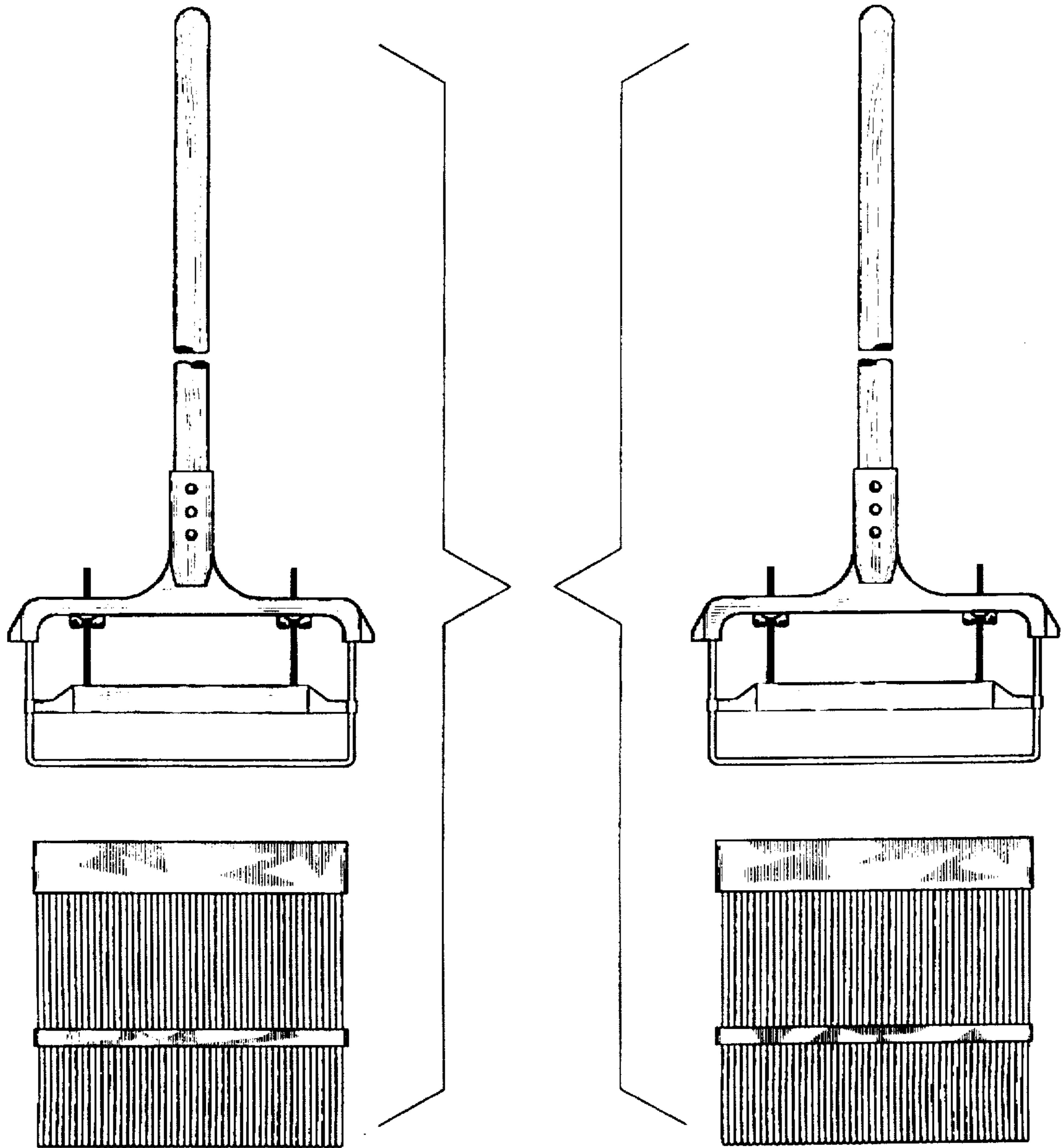


Fig. 1

Fig. 2

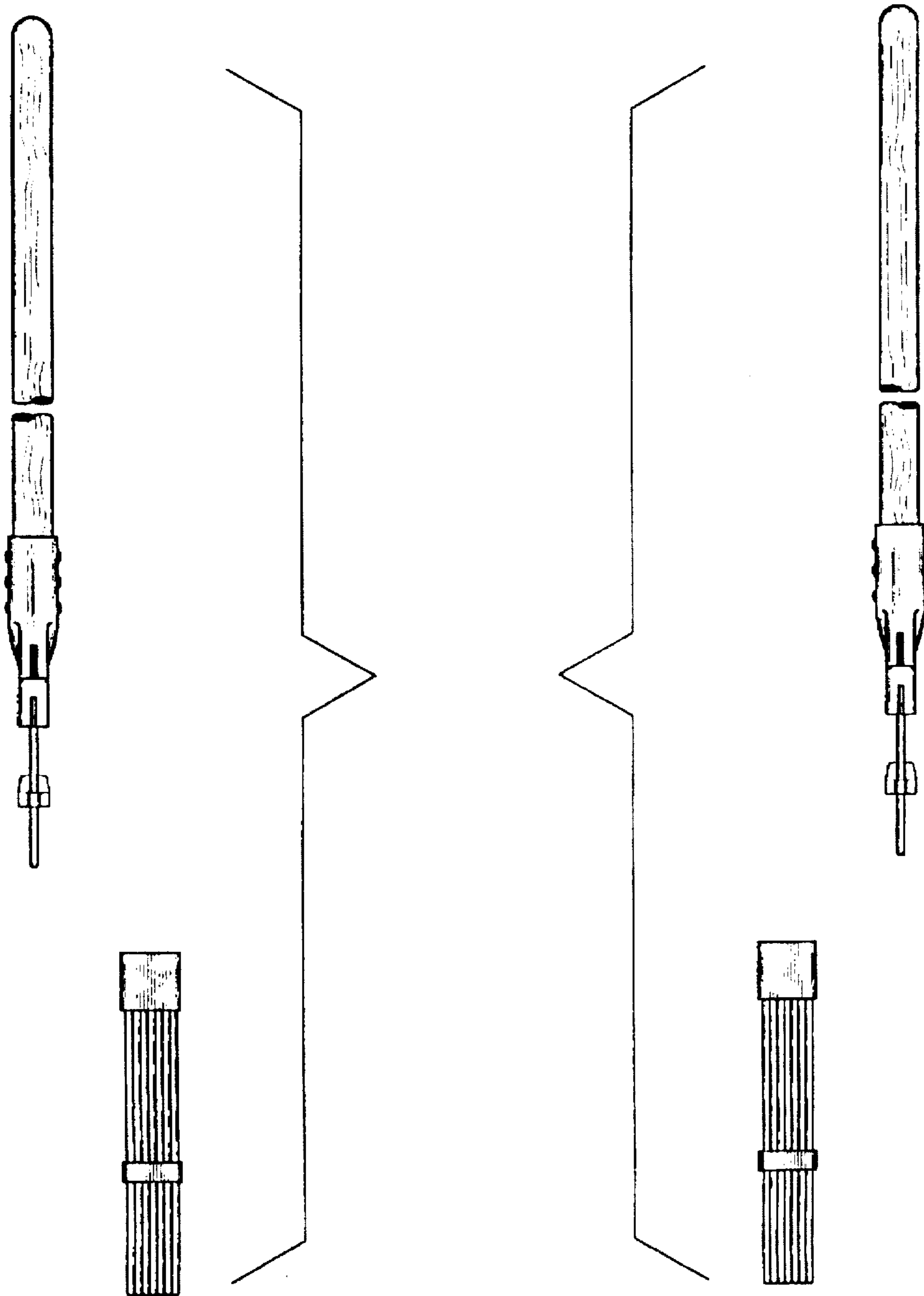


Fig. 3

Fig. 4

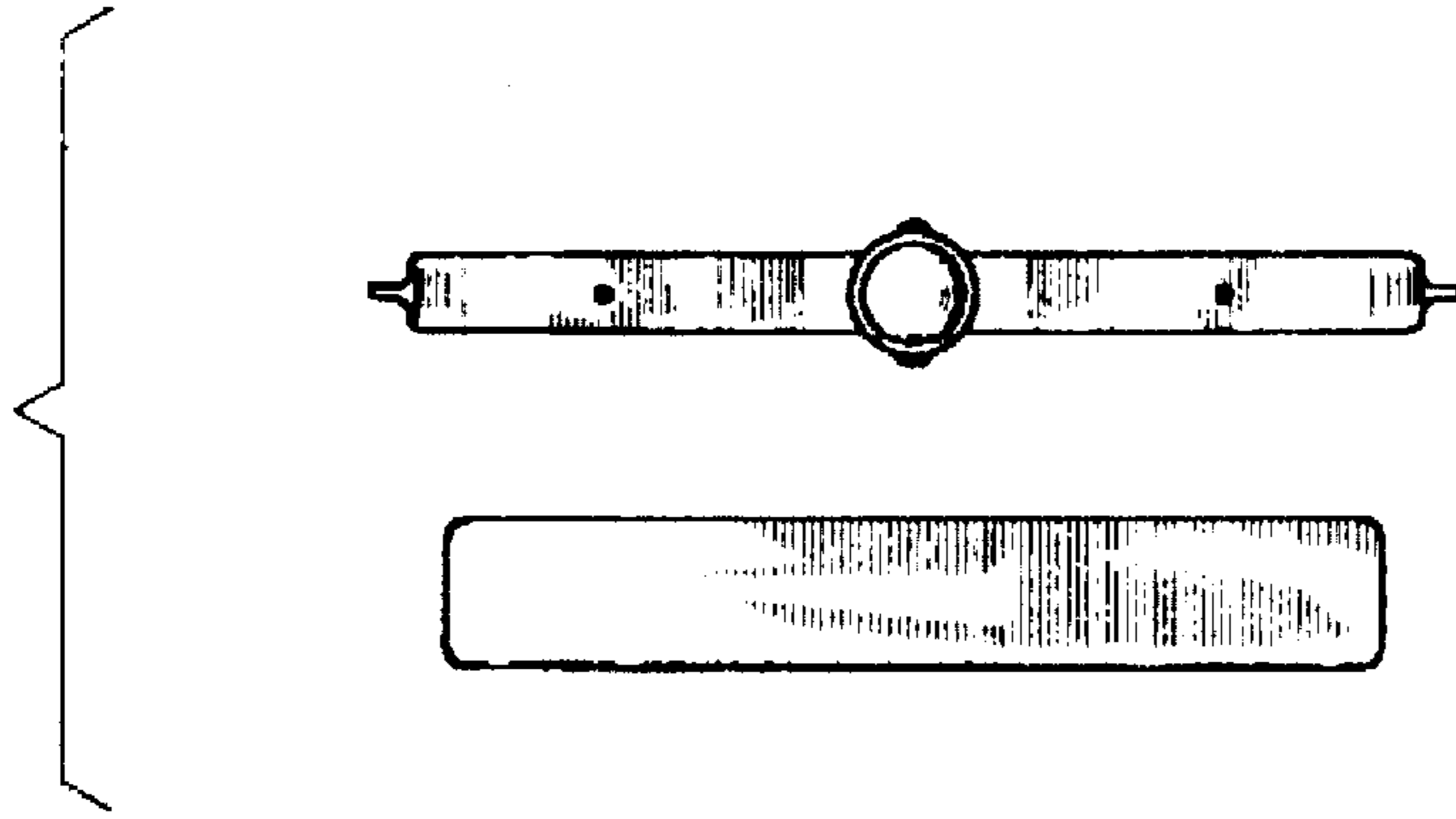


Fig. 5

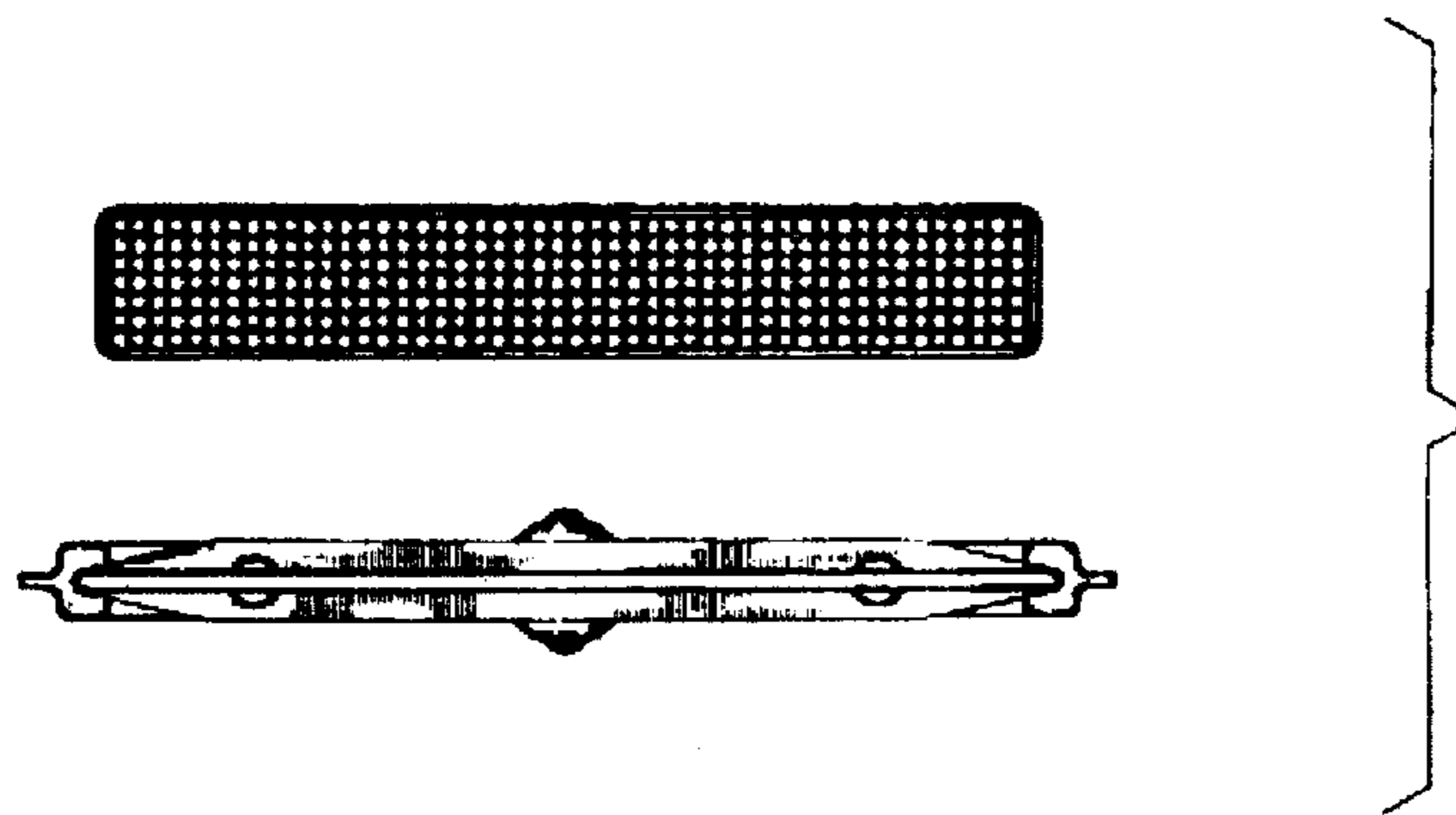


Fig. 6