



US00D391714S

United States Patent [19]
Kilander

[11] **Patent Number:** **Des. 391,714**
[45] **Date of Patent:** ****Mar. 3, 1998**

- [54] **COMBINED BROOM AND RAKE**
- [76] **Inventor:** **Holger F. Kilander**, H.C. 75, Box 152, Hackensack, Minn. 56452
- [**] **Term:** **14 Years**
- [21] **Appl. No.:** **67,264**
- [22] **Filed:** **Feb. 18, 1997**
- [51] **LOC (6) Cl.** **08-05**
- [52] **U.S. Cl.** **D32/42; D32/51**
- [58] **Field of Search** **D35/40, 42, 43, D35/44, 50, 51; 15/159.1, 160, 171, 172, 146, 176.1-176.4, 244.1, 244.3, 244.4, 245, 245.1; D4/117, 110, 130, 132, 135, 199**

4,528,713 7/1985 Libman 15/146
 4,756,039 7/1988 Pardo 15/160
 4,856,136 8/1989 Janssen 15/244.3

Primary Examiner—Susan J. Lucas
Assistant Examiner—Cynthia F. Ramirez
Attorney, Agent, or Firm—L. McRoy Lillehaugen

[57] **CLAIM**

The ornamental design for a combined broom and rake, as shown and described.

DESCRIPTION

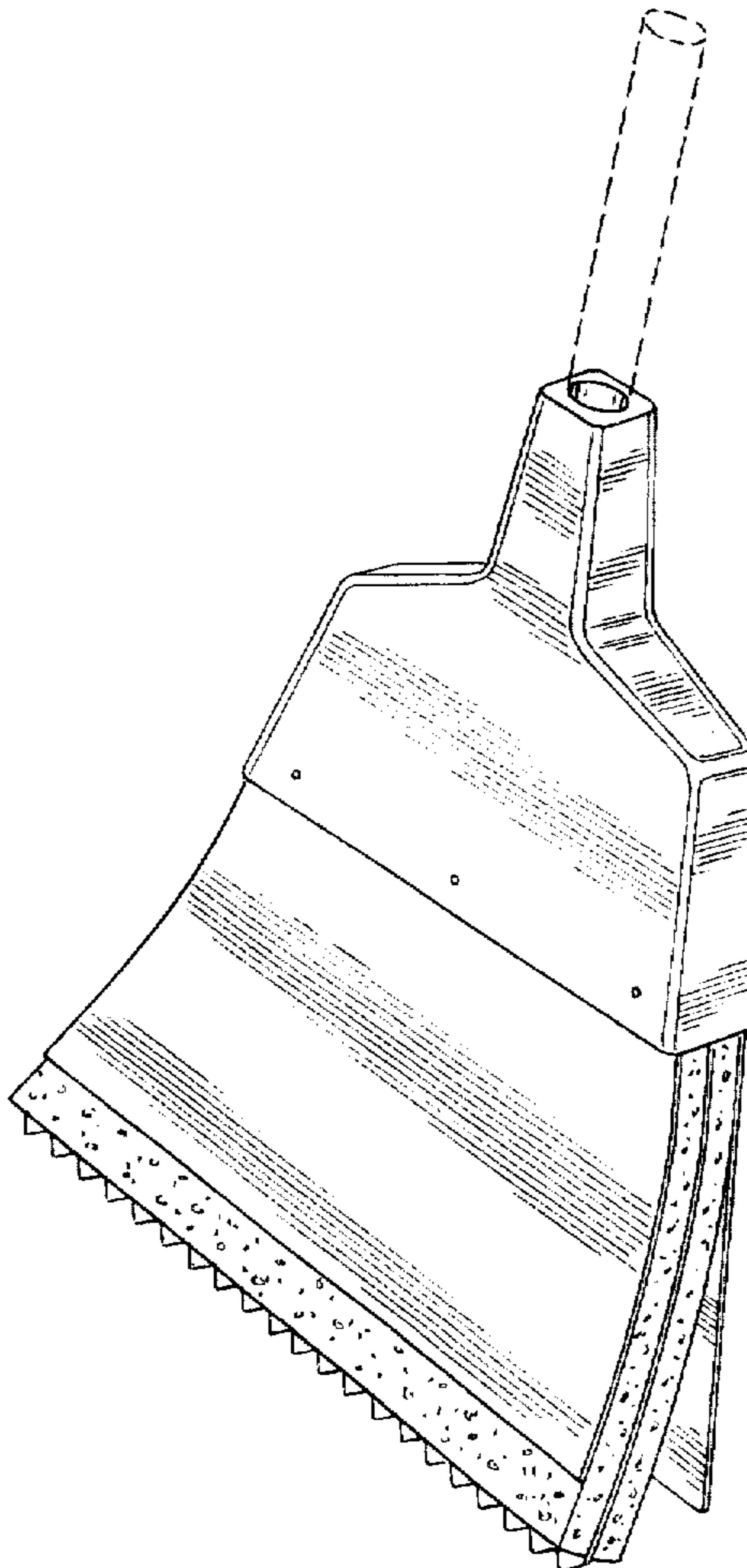
FIG. 1 is a perspective view of a combined broom and rake showing my new design;
 FIG. 2 is a side elevational view thereof, as viewed from the right of FIG. 3;
 FIG. 3 is a front elevational view thereof, the rear view being a mirror image thereof;
 FIG. 4 is a side elevational view thereof, as viewed from the left of FIG. 3;
 FIG. 5 is a top plan view thereof; and,
 FIG. 6 is a bottom plan view thereof.
 The broken line showing of a partial handle is for illustrative purposes only and forms no part of the claimed design.

[56] **References Cited**

U.S. PATENT DOCUMENTS

- D. 63,074 10/1923 Edlund D4/135
- D. 227,199 6/1973 Payne D4/135
- D. 293,165 12/1987 Machacek D4/135
- 1,209,927 12/1916 Bailey .
- 2,735,129 2/1956 Lorenz .
- 3,131,419 5/1964 Vosbikian et al. .
- 3,134,124 5/1964 Horn .

1 Claim, 2 Drawing Sheets



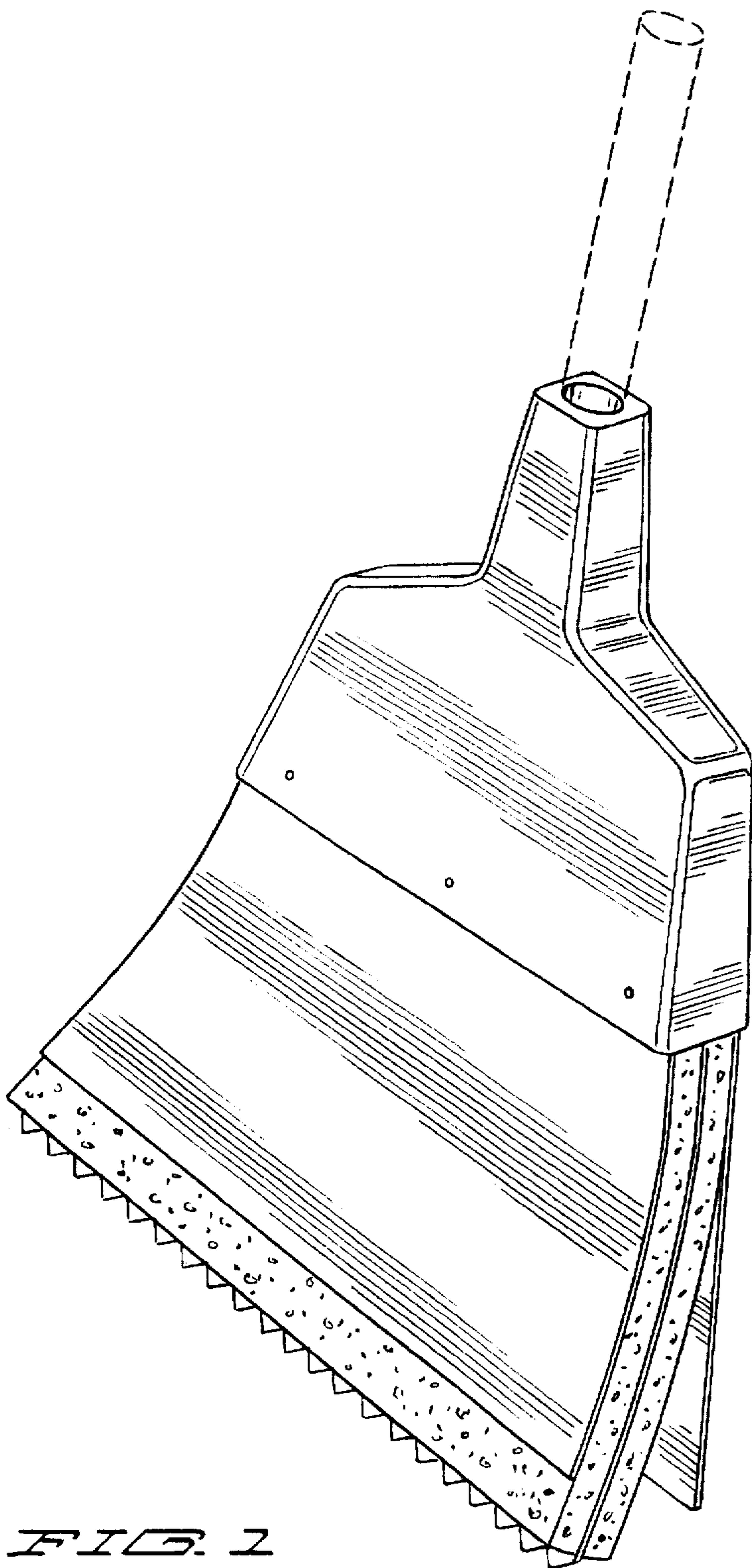


FIG. 1

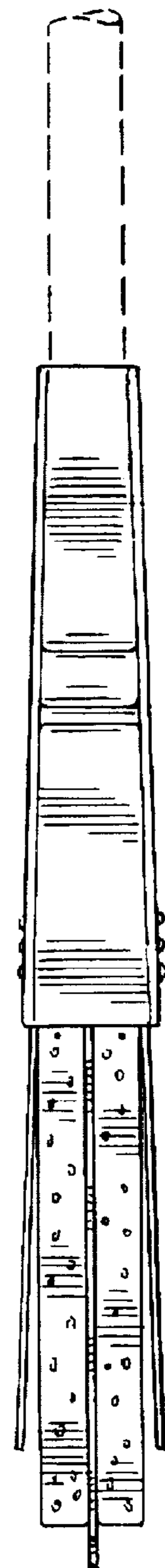


FIG. 2

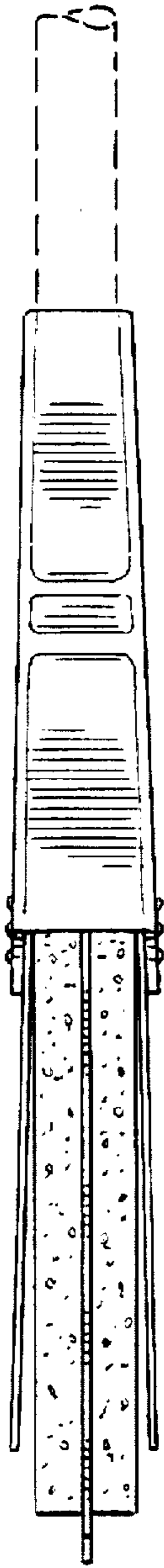


FIG. 4

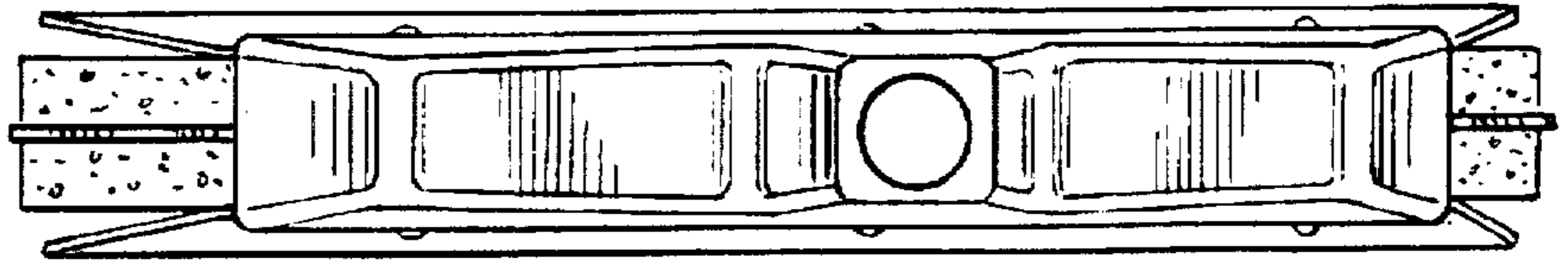


FIG. 5

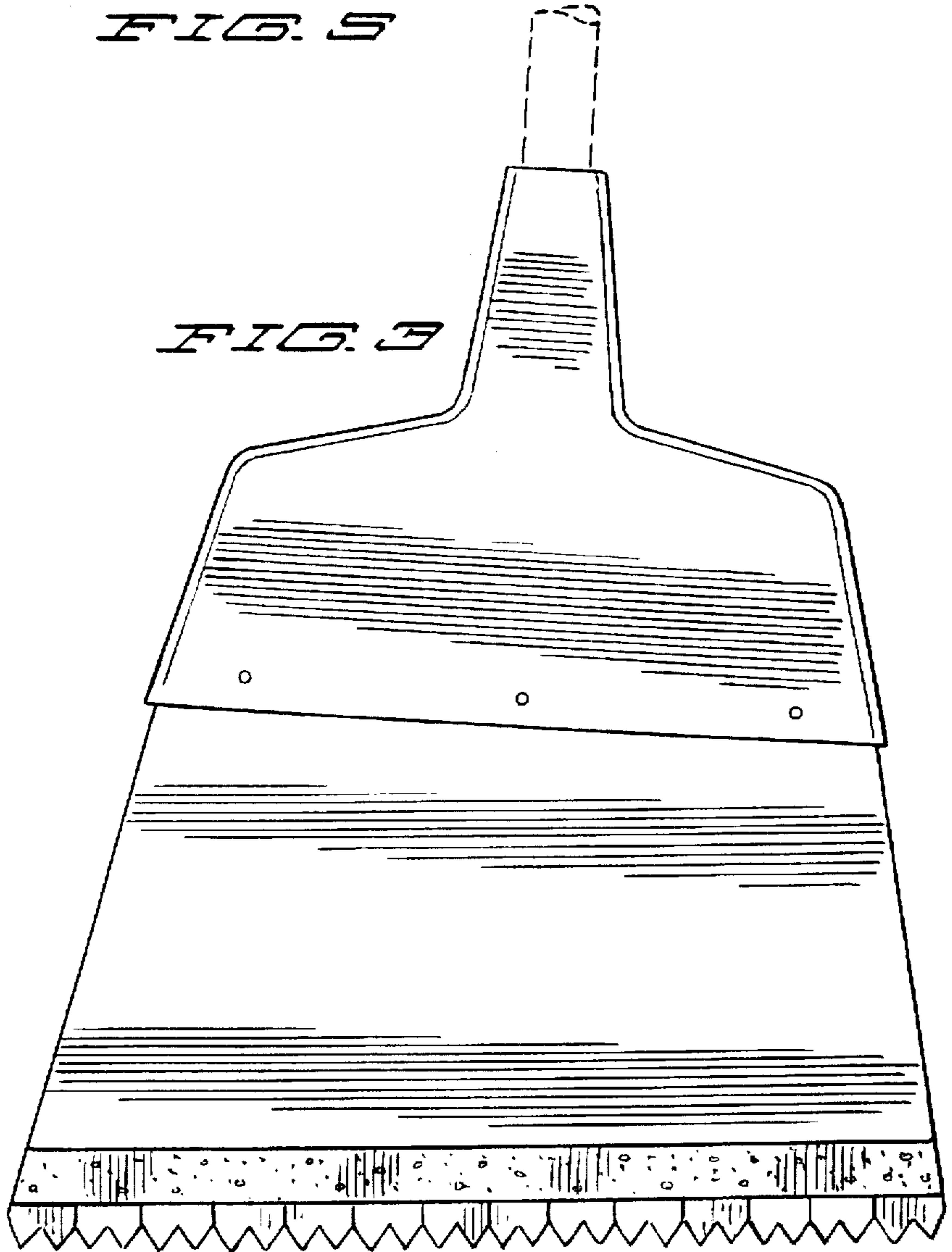


FIG. 6

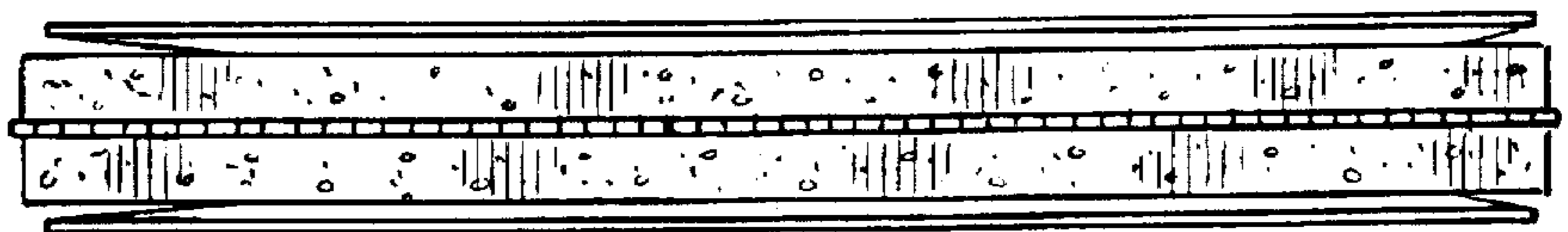


FIG. 7