



US00D391708S

United States Patent [19]

Canavan et al.

[11] Patent Number: **Des. 391,708**

[45] Date of Patent: ****Mar. 3, 1998**

[54] **CARPET SWEEPER**

[75] Inventors: **Eugene M. Canavan; Oliver Hood,**
both of Dublin, Ireland

[73] Assignee: **Bissell, Inc.,** Grand Rapids, Mich.

[**] Term: **14 Years**

[21] Appl. No.: **62,484**

[22] Filed: **Nov. 15, 1996**

[51] LOC (6) Cl. **15-05**

[52] U.S. Cl. **D32/38**

[58] Field of Search **D32/35, 38, 39,**
D32/21, 22, 24, 18, 19, 17, 15; 15/41.1,
42, 43, 44, 45, 46, 47, 48, 48.1, 48.2

[56] **References Cited**

U.S. PATENT DOCUMENTS

D. 91,705	3/1934	Cummins	D32/38
D. 142,535	10/1945	Storm, Jr.	D32/22
D. 144,222	3/1946	Snyder et al. .	
D. 181,010	9/1957	Liddell et al. .	
D. 210,241	2/1968	Anderson .	
D. 283,455	4/1986	Slany	D32/38
D. 285,735	9/1986	Hanyu	D32/38
D. 312,154	11/1990	Kuroda	D32/38
D. 317,067	5/1991	Kuroda	D32/38
D. 371,875	7/1996	Parker et al. .	D32/38
2,962,740	12/1960	Plantholt .	
3,800,351	4/1974	Fukuba .	
4,813,096	3/1989	Tsuchiya	15/41.1
5,224,232	7/1993	Zahuranec et al.	15/41.1

OTHER PUBLICATIONS

Catalogue Sheet, 2301 Sweeper, Bissell Inc. 1995.

Primary Examiner—Susan J. Lucas

Assistant Examiner—Cynthia E. Ramirez

Attorney, Agent, or Firm—Rader, Fishman, Grauer & McGarry

[57] **CLAIM**

The ornamental design for a carpet sweeper, as shown and described.

DESCRIPTION

FIG. 1 is a perspective view of a carpet sweeper which embodies our design, the broken lines being for environmental purposes only and form no part of the claimed design;

FIG. 2 is a side elevational view thereof, the opposite side being a mirror image thereof;

FIG. 3 is a top plan view thereof;

FIG. 4 is a front elevational view thereof;

FIG. 5 is a bottom plan view thereof;

FIG. 6 is a rear elevational view thereof;

FIG. 7 is a perspective view of a carpet sweeper housing which embodies a modified form of our design, the broken lines being for environmental purposes only and form no part of the claimed design;

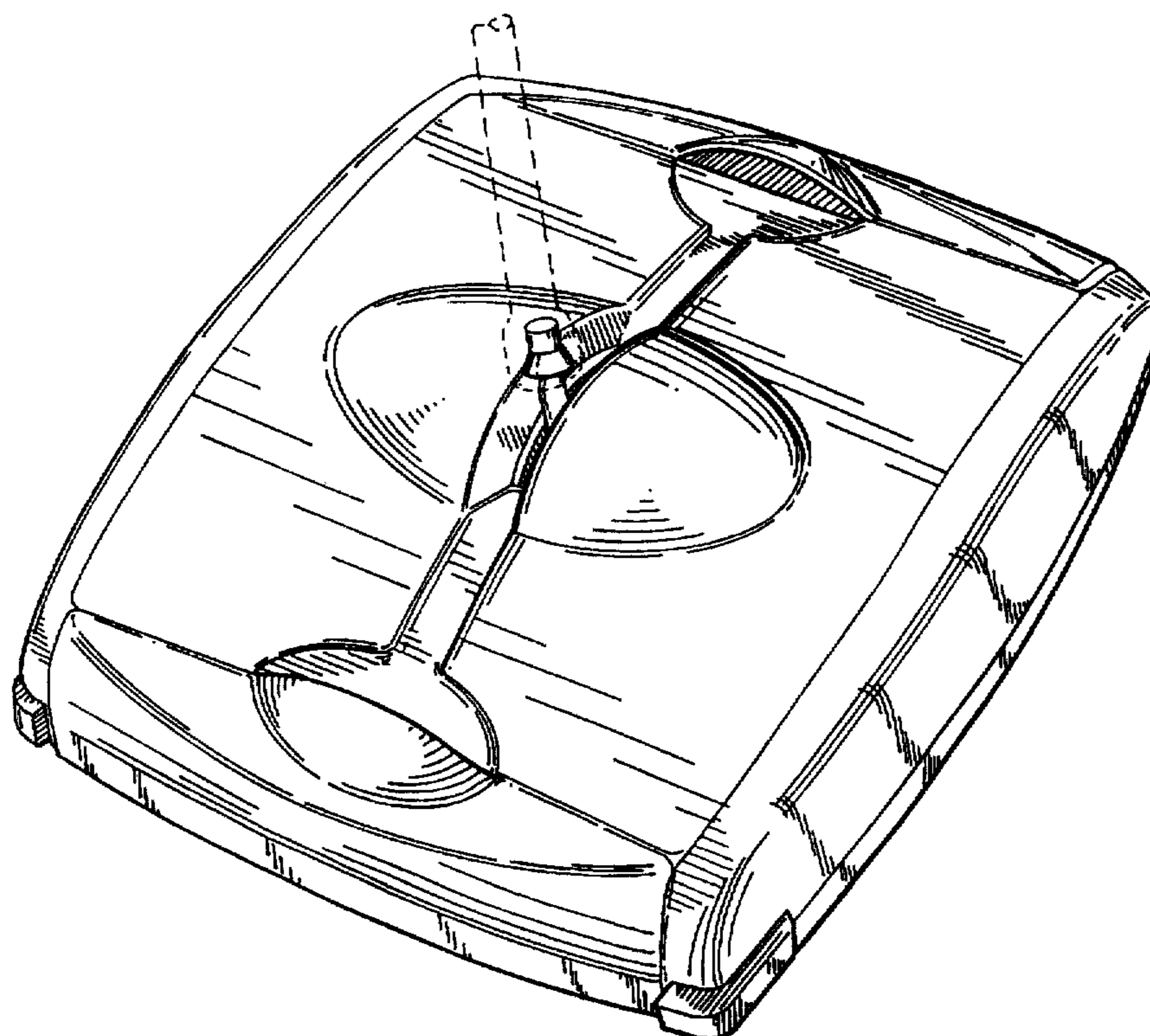
FIG. 8 is a side elevational view thereof, the opposite side being a mirror image thereof;

FIG. 9 is a top plan view thereof;

FIG. 10 is a front elevational view thereof; and,

FIG. 11 is a rear elevational view thereof.

1 Claim, 6 Drawing Sheets



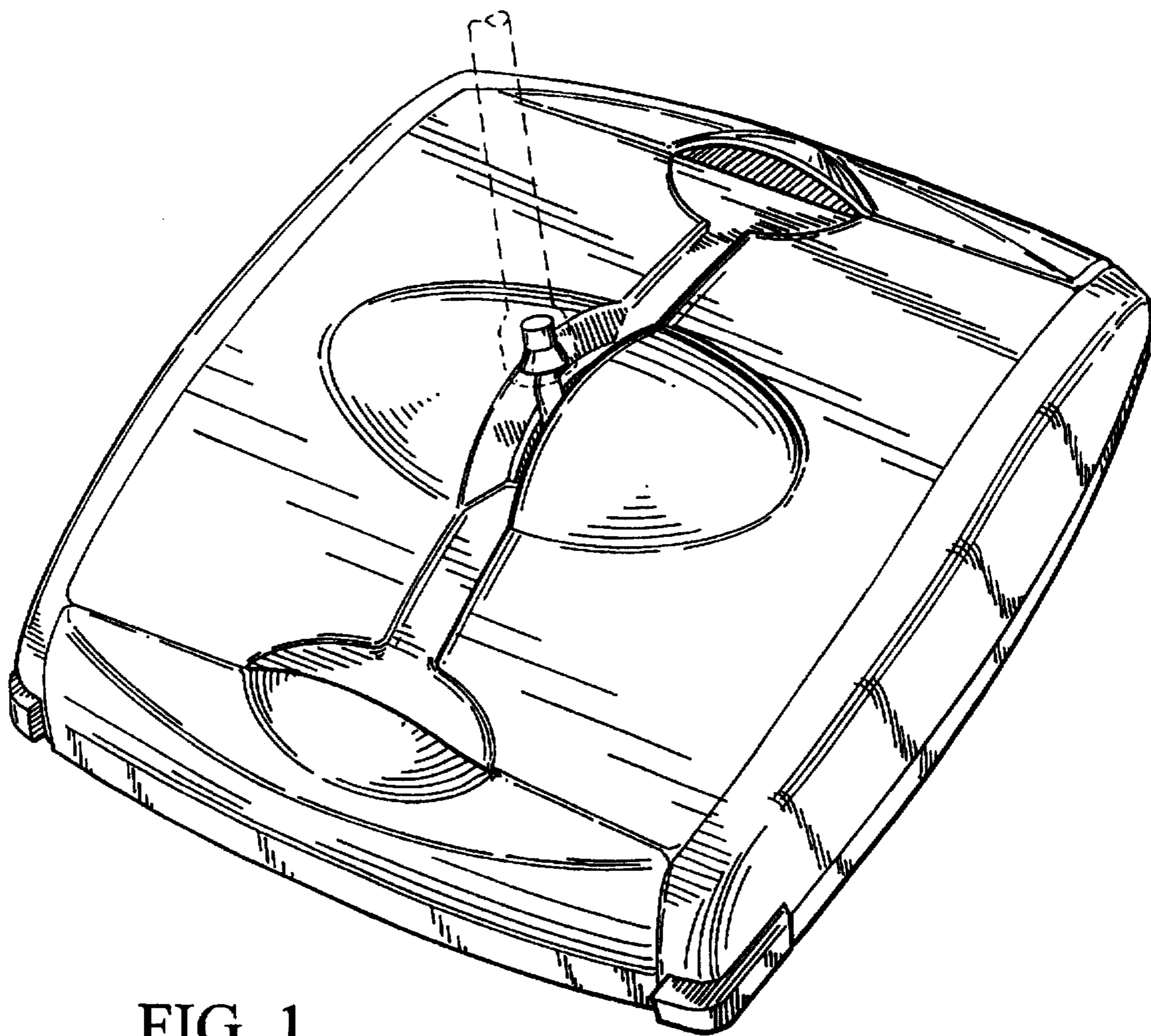


FIG. 1

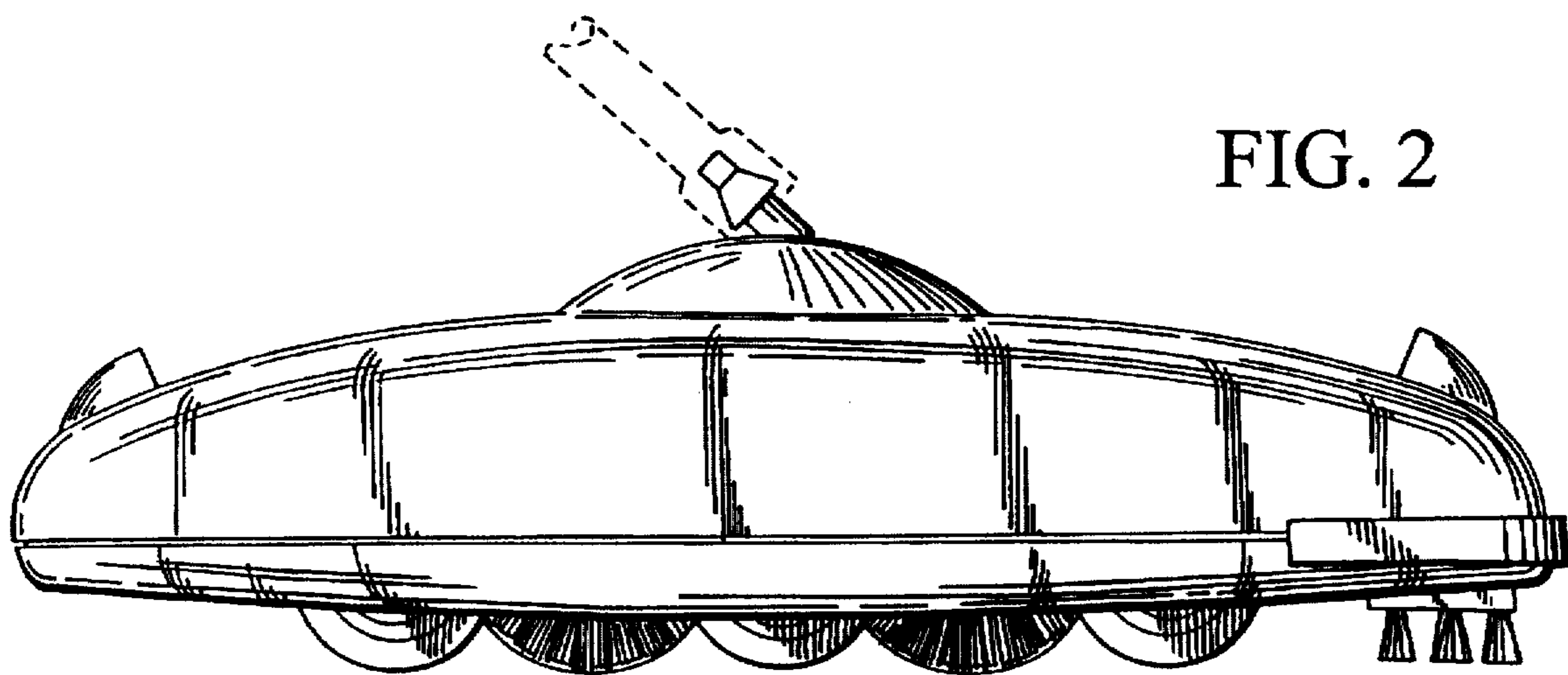


FIG. 2

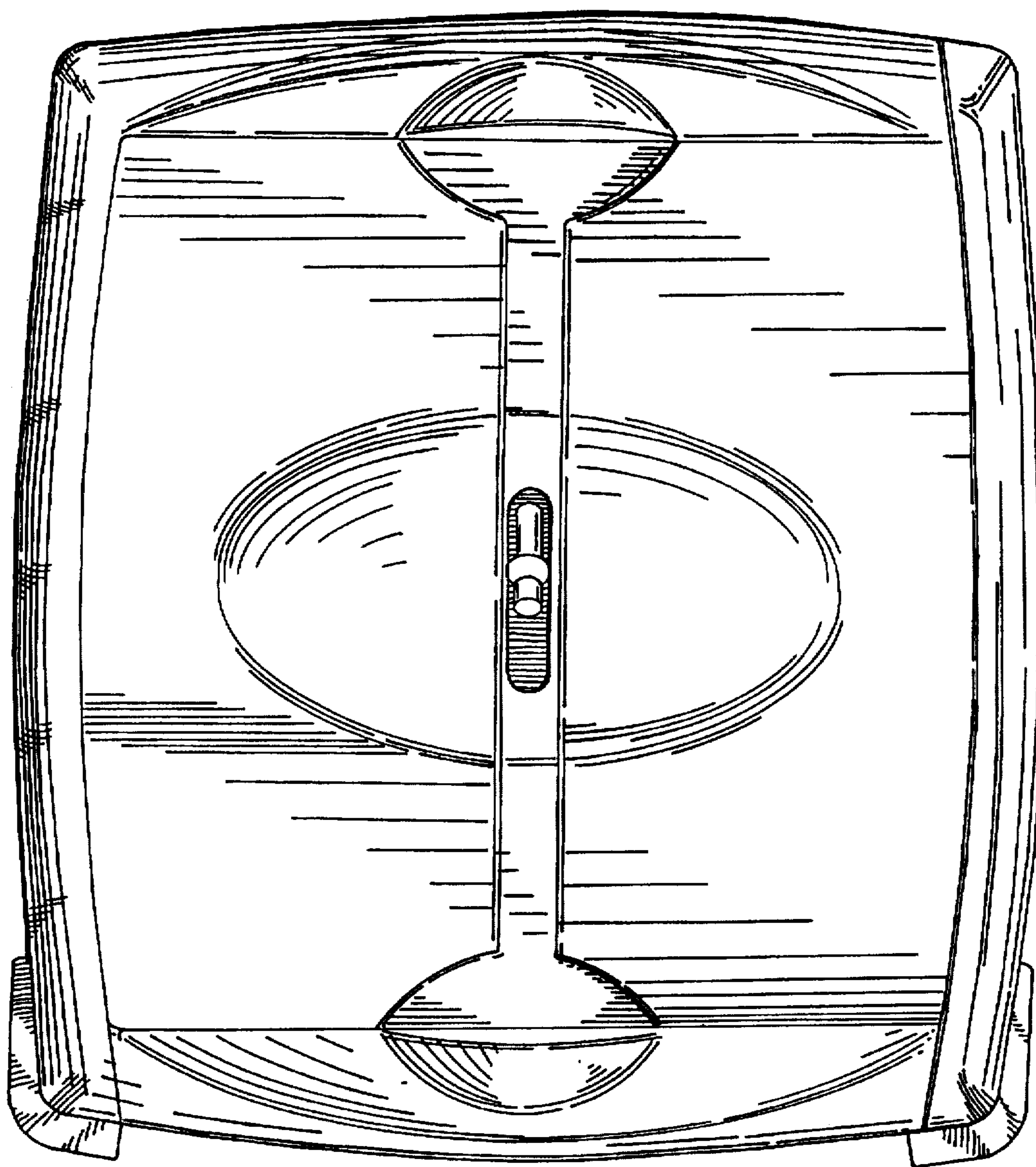


FIG. 3

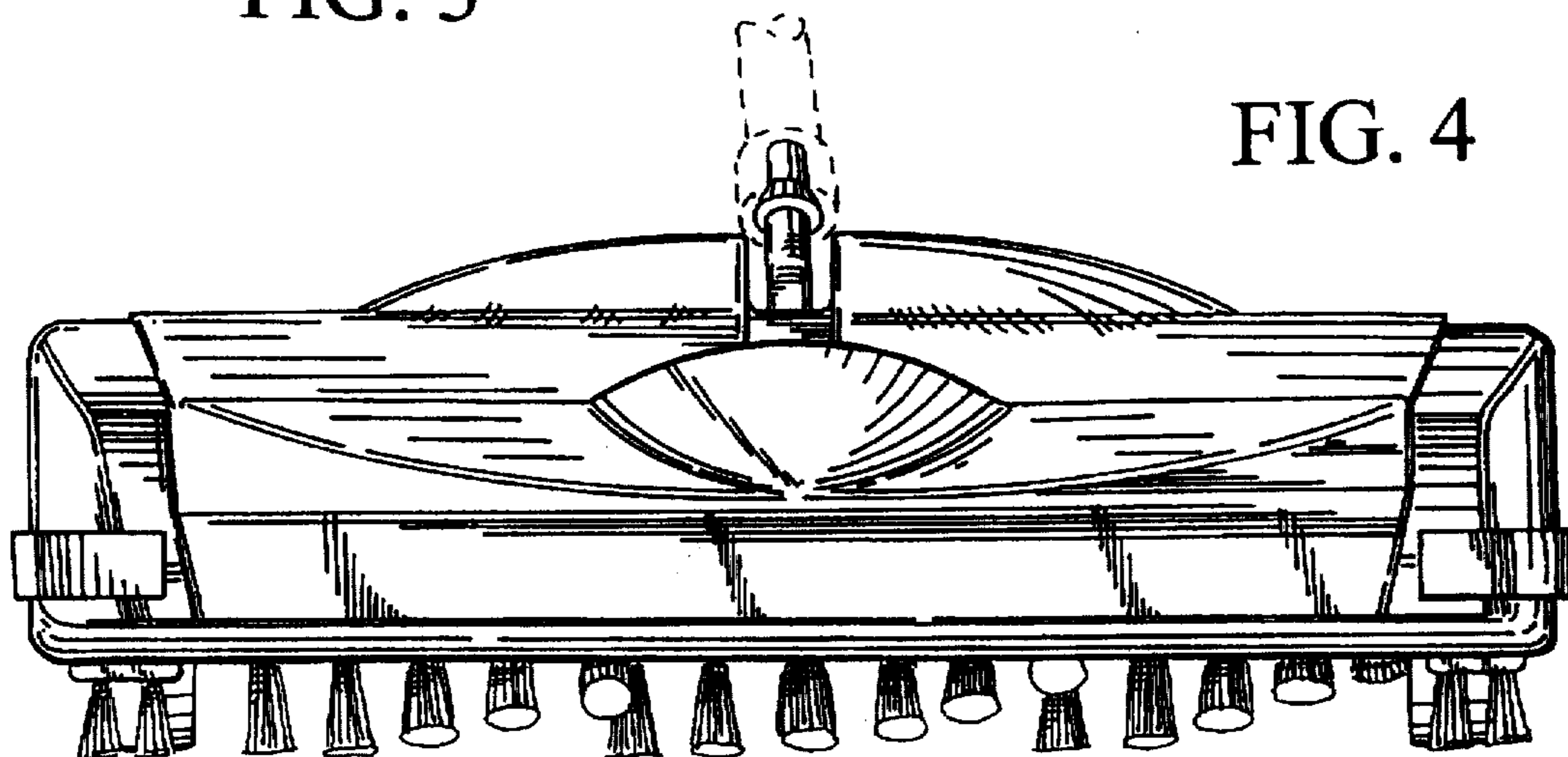


FIG. 4

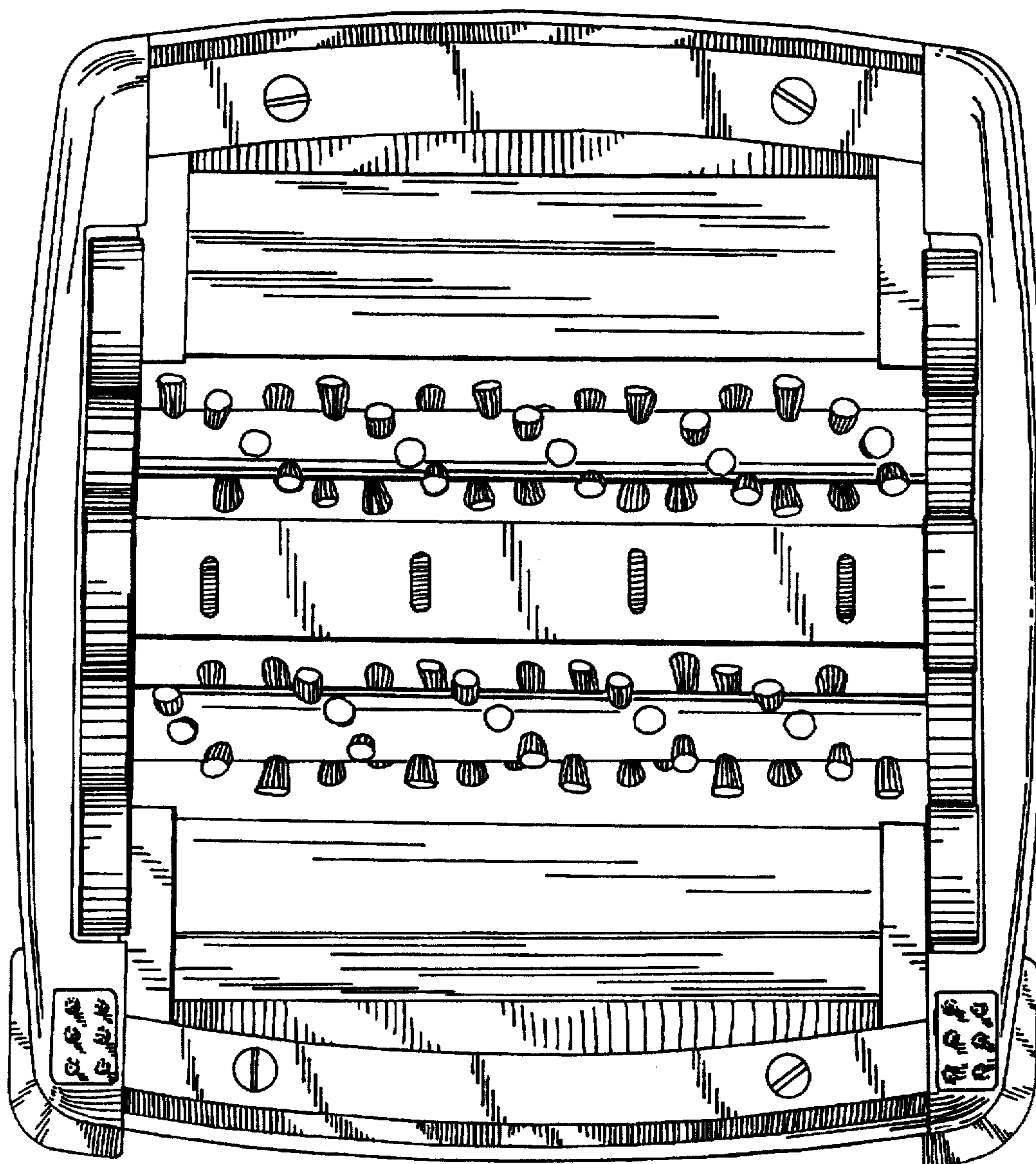


FIG. 5

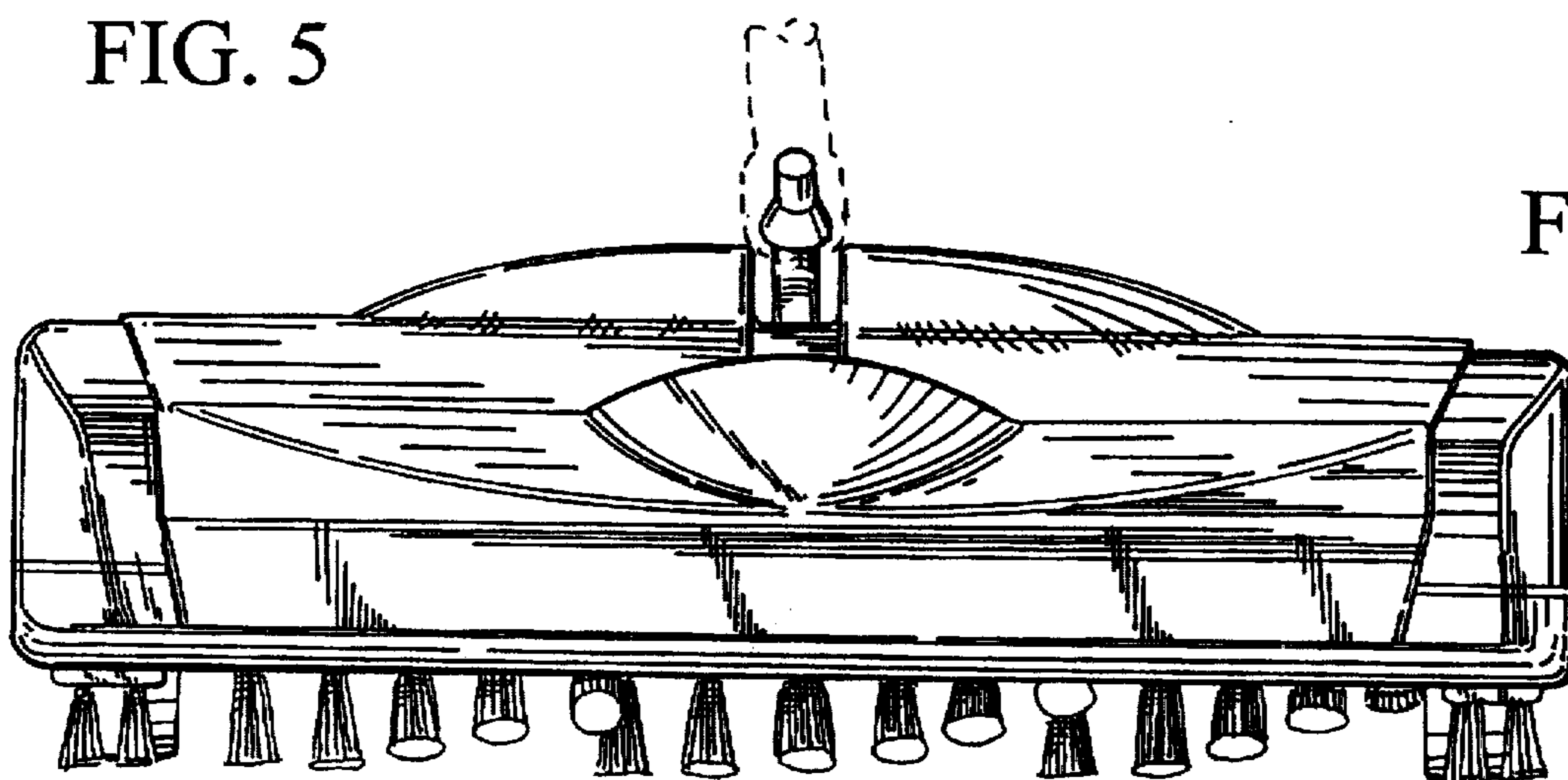


FIG. 6

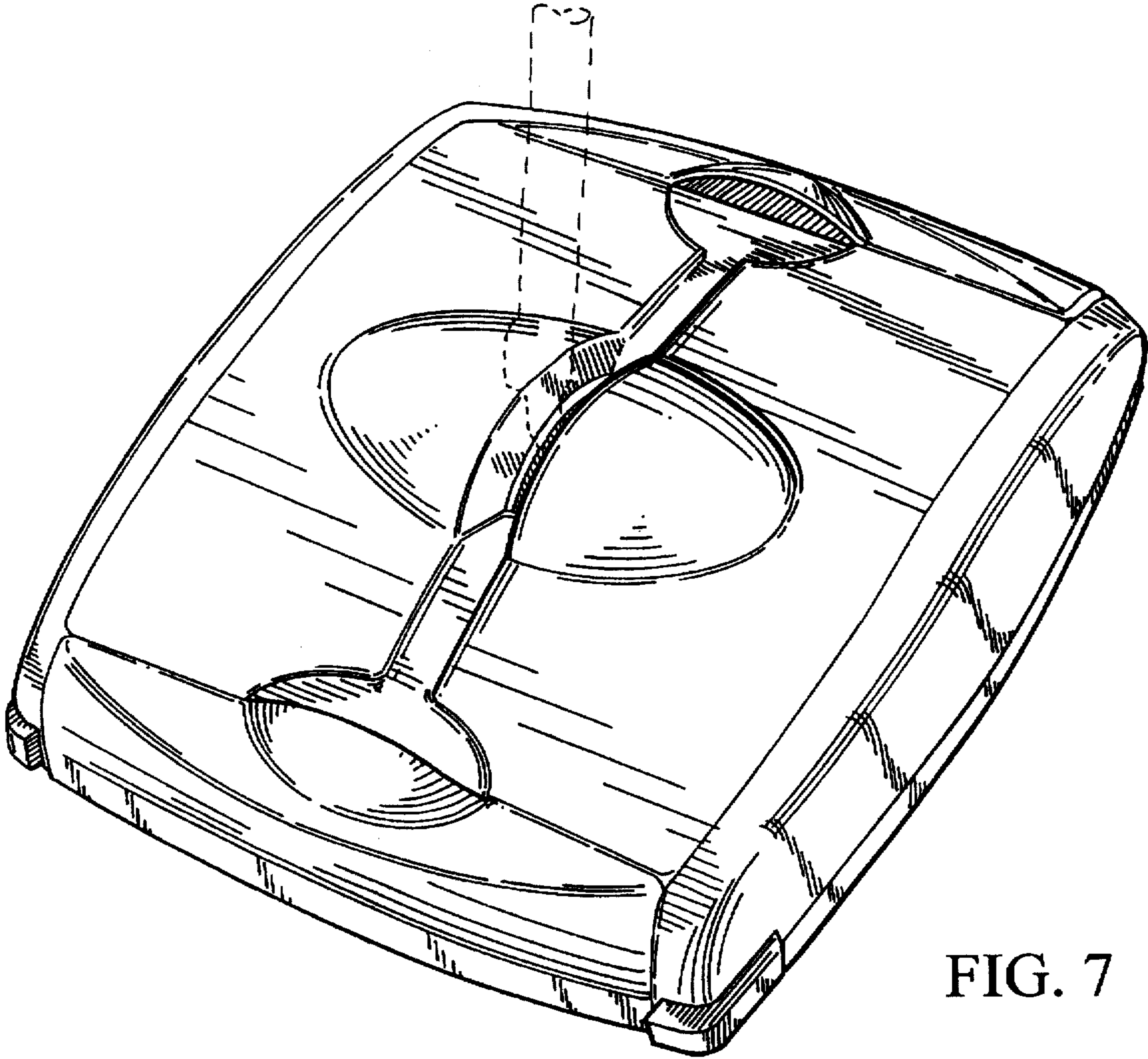
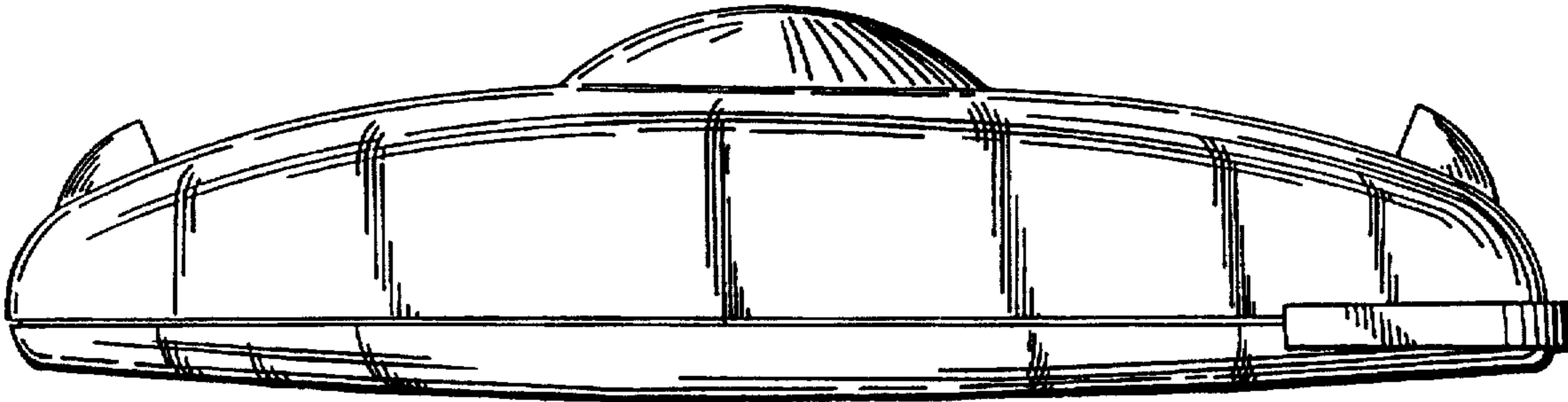


FIG. 7

FIG. 8



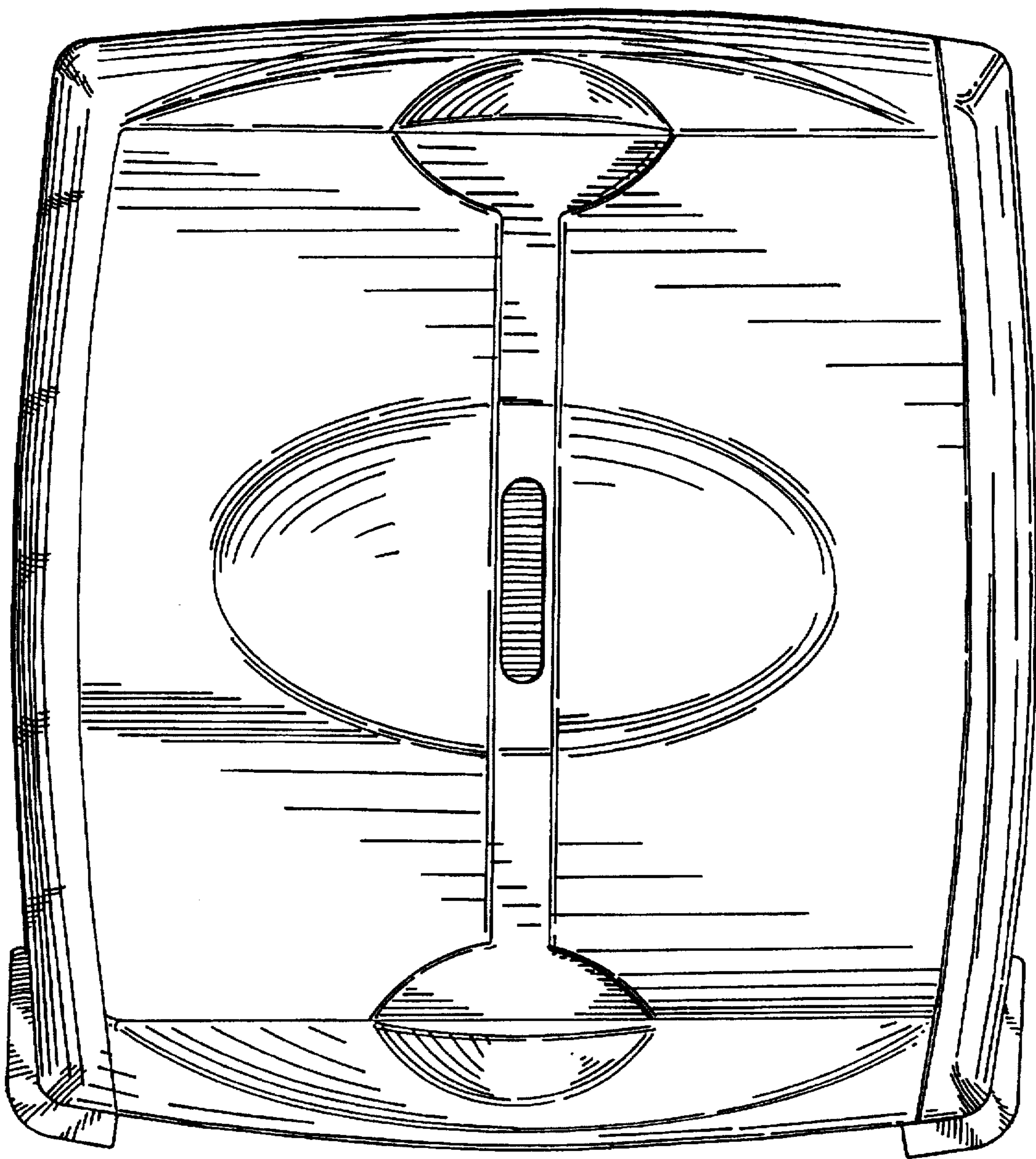
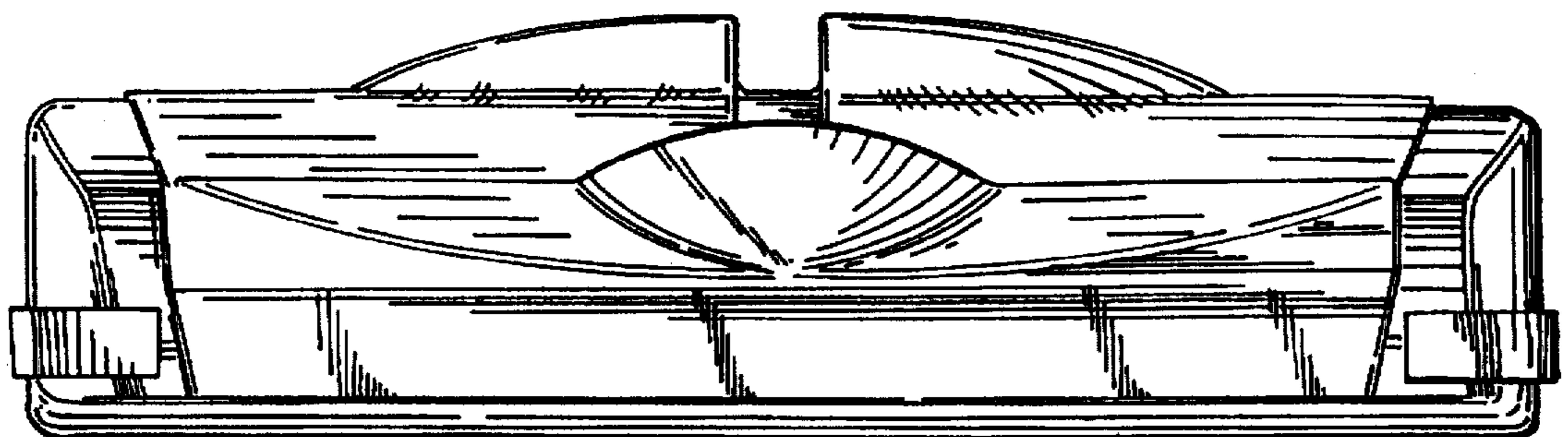


FIG. 9

FIG. 10



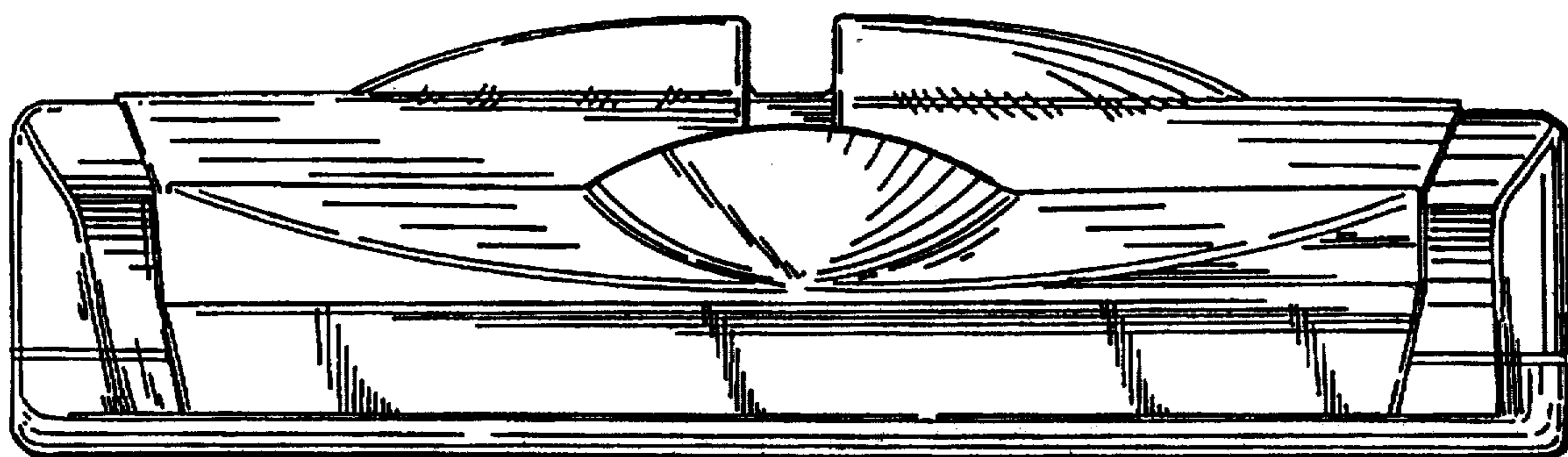


FIG. 11