



US00D391704S

United States Patent [19]

Facer

[11] Patent Number: **Des. 391,704**

[45] Date of Patent: ****Mar. 3, 1998**

[54] STEAM CLEANING WAND

D. 347,504 5/1994 Furcron et al. D32/33
5,060,341 10/1991 Nelle D32/31

[76] Inventor: **Richard S. Facer**, 700 Canfield Dr.,
Lompoc, Calif. 93436

Primary Examiner—Ruth McInroy
Attorney, Agent, or Firm—Kenneth J. Hovet

[**] Term: **14 Years**

[57] **CLAIM**

[21] Appl. No.: **54,880**

The ornamental design for a steam cleaning wand, as shown.

[22] Filed: **May 24, 1996**

DESCRIPTION

[51] LOC (6) Cl. **15-05**

[52] U.S. Cl. **D32/32**

[58] Field of Search D32/21, 22, 31-34;
15/320-322, 415.1, 323, 353, 410

FIG. 1 is a front elevational view of a steam cleaning wand showing my new design;

FIG. 2 is a left elevational view thereof;

FIG. 3 is a right elevational view thereof;

FIG. 4 is a rear elevational view thereof;

FIG. 5 is a top plan view thereof; and,

FIG. 6 is a bottom plan view thereof.

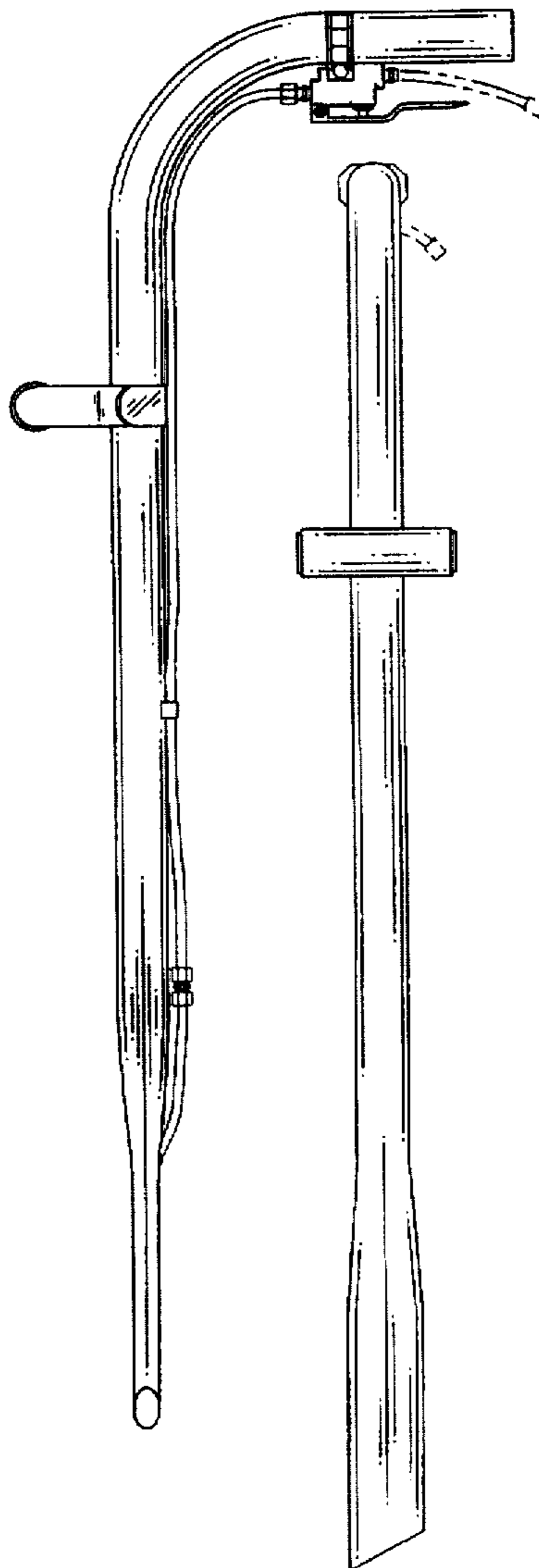
The details shown in broken lines in FIG. 1-6 are for illustrative purposes only and form no part of the claimed design.

[56] References Cited

U.S. PATENT DOCUMENTS

D. 232,298	8/1974	Jones	D32/32
D. 246,523	11/1977	Bartlett	D32/32
D. 255,359	6/1980	Bartlett	D32/32
D. 306,788	3/1990	McAllister et al.	D32/32

1 Claim, 2 Drawing Sheets



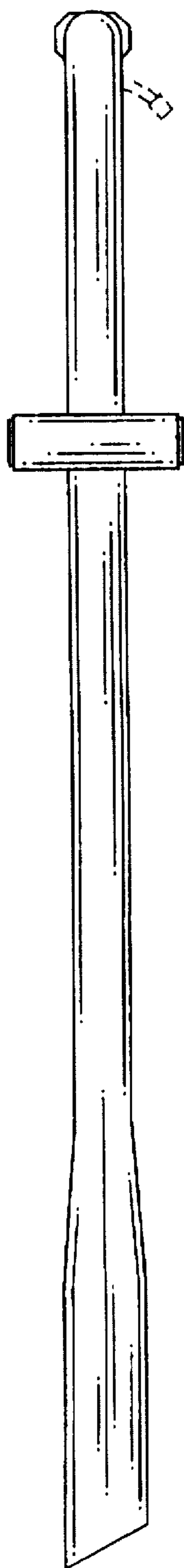


FIG. 2

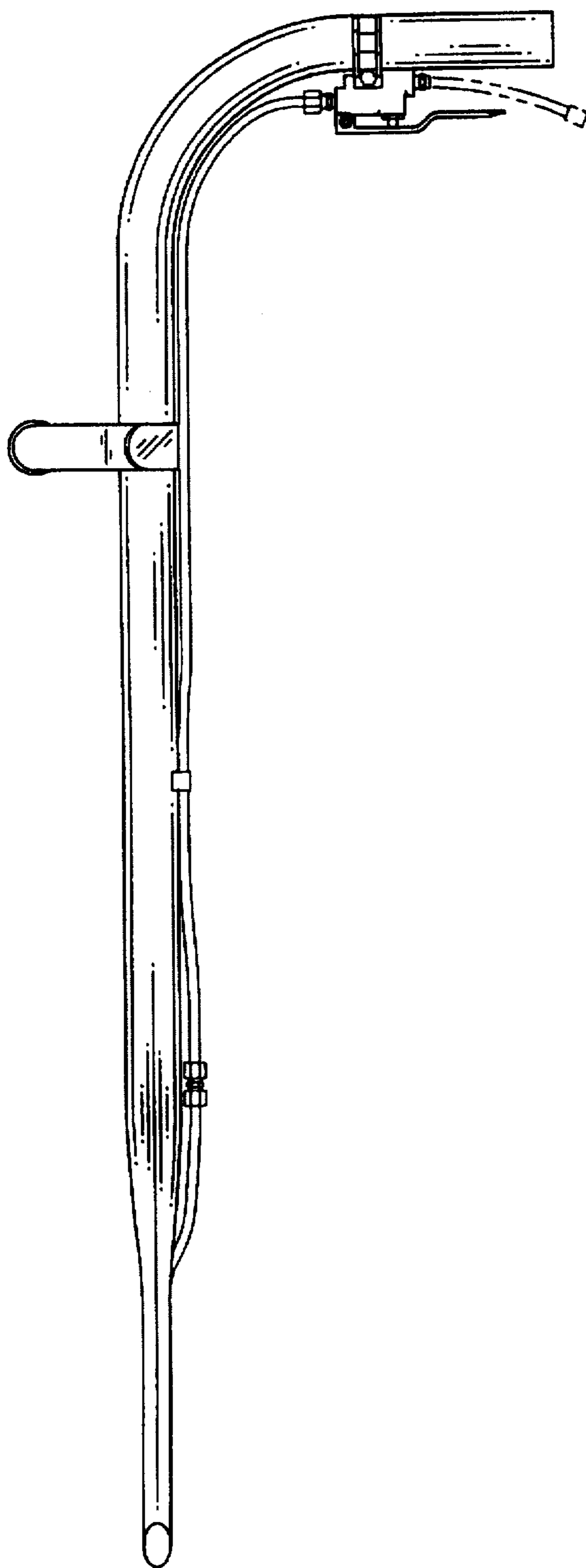


FIG. 1

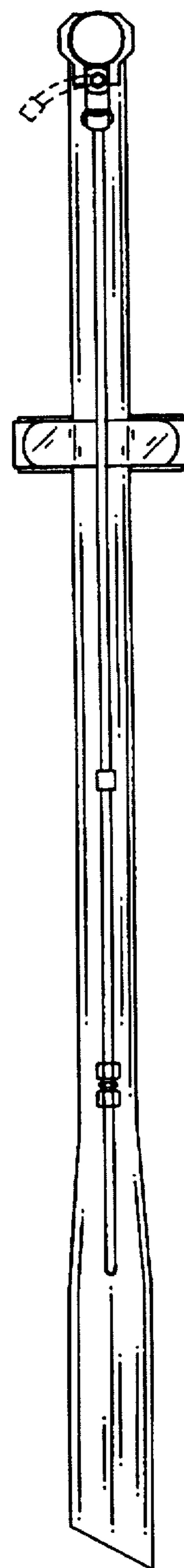


FIG. 3

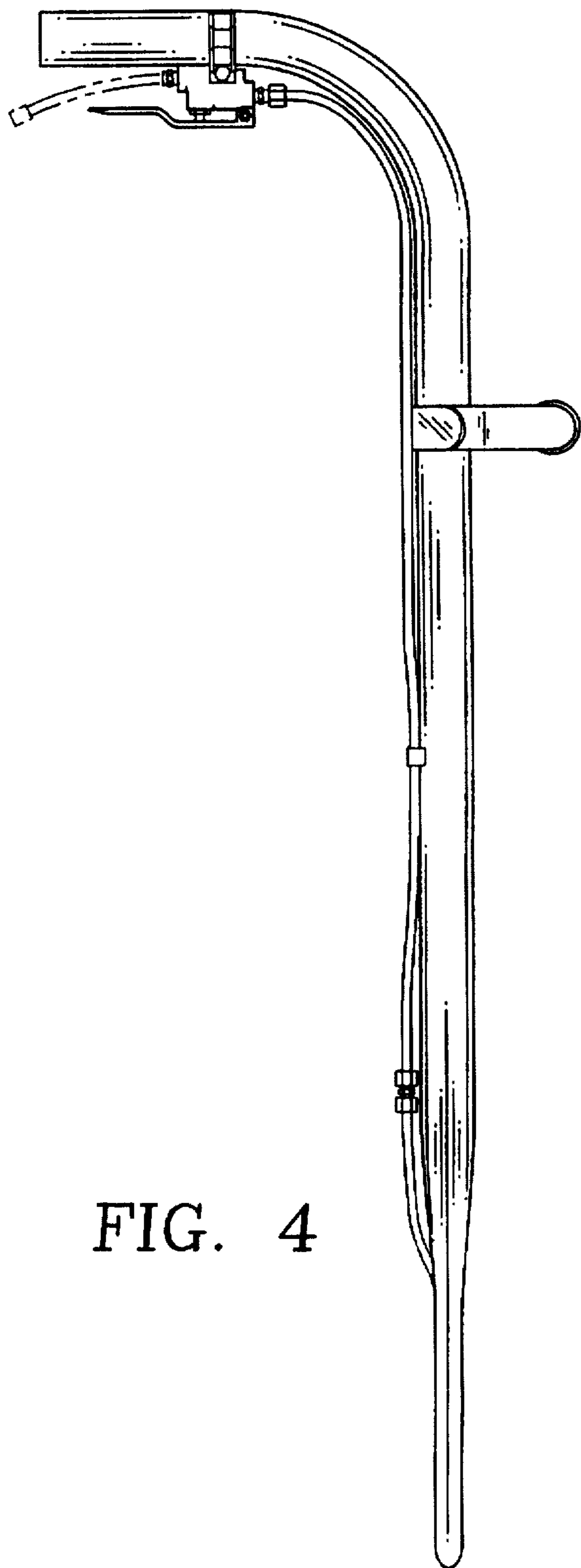


FIG. 4

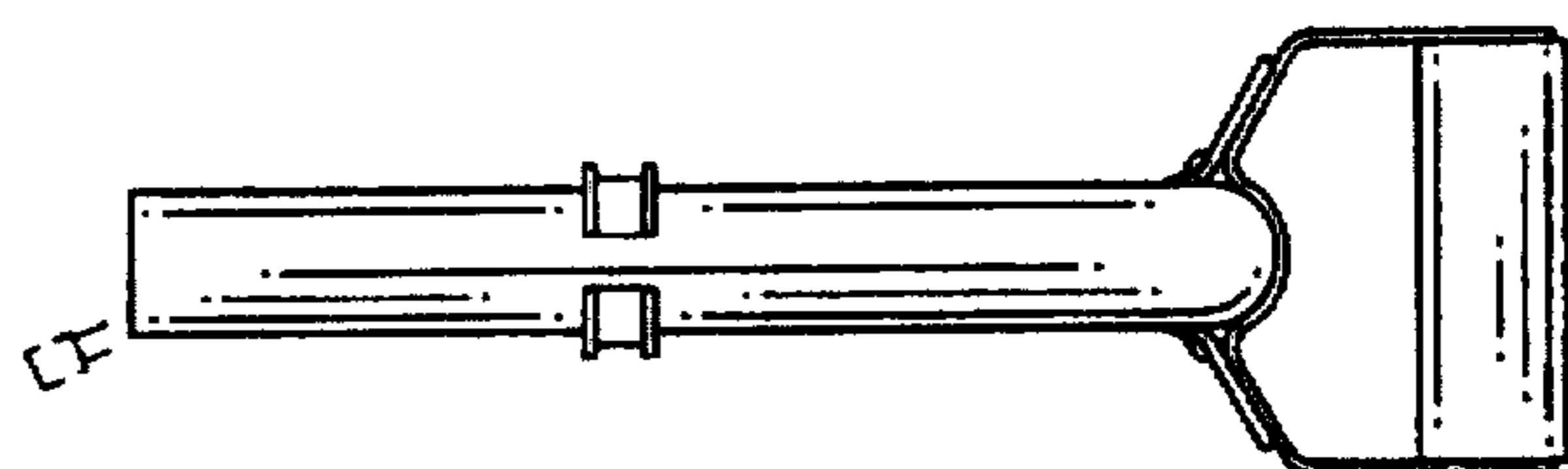


FIG. 5

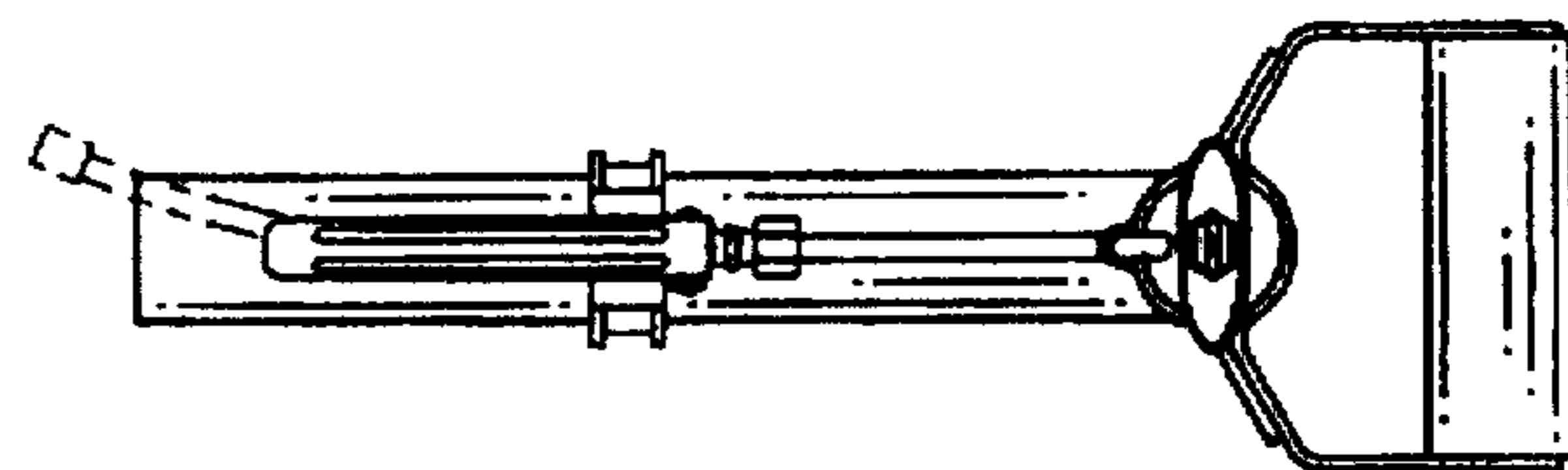


FIG. 6