



US00D391703S

United States Patent [19]

[11] Patent Number: Des. 391,703

Miller et al.

[45] Date of Patent: **Mar. 3, 1998

[54] **TOOL CADDY FOR ATTACHMENT TO A CARPET EXTRACTOR**

[75] Inventors: **Daniel R. Miller**, Massillon; **Vincent L. Weber**, North Lawrence; **Roland J. Knouff**, Massillon; **Edgar A. Maurer**, Canton; **Joseph W. Clifford**, North Canton, all of Ohio

[73] Assignee: **The Hoover Company**, North Canton, Ohio

[**] Term: **14 Years**

[21] Appl. No.: **64,768**

[22] Filed: **Jan. 10, 1997**

[51] LOC (6) Cl. **15-05**

[52] U.S. Cl. **D32/31; D32/22; D32/34**

[58] Field of Search **D32/21, 22, 31-34; 15/320-322, 329, 335, 347, 350-353, 410, 412, 414**

[56] **References Cited**

U.S. PATENT DOCUMENTS

D. 307,658	5/1990	Ikeda et al.	D32/22
D. 309,203	7/1990	Goodrich	D32/22
D. 309,806	8/1990	Chieda et al.	D32/22
D. 330,615	10/1992	Essex et al.	D32/31
D. 333,020	2/1993	McKnight	D32/31
D. 334,260	3/1993	Kieft et al.	D32/31
D. 334,261	3/1993	McKnight	D32/31
D. 339,433	9/1993	Stein et al.	D32/22
D. 346,052	4/1994	Saunders et al.	D32/22

D. 346,053	4/1994	Hoshino	D32/31
D. 354,379	1/1995	Shinozaki	D32/22
D. 357,096	4/1995	Wareham	D32/31
D. 358,236	5/1995	Kopco et al.	D32/22
D. 358,241	5/1995	Bradd	D32/22
D. 361,181	8/1995	Wareham et al.	D32/31
D. 365,179	12/1995	Bradd	D32/31
1,936,761	11/1933	Hoover .	
2,070,689	2/1937	Smellie .	

OTHER PUBLICATIONS

Eureka Dream Machine Carpet Cleaning Extractor, Owners Guide 2400 Series, copyright 1996.

Primary Examiner—Ruth McInroy

Attorney, Agent, or Firm—A. Burgess Lowe; Bruce P. Watson

[57] **CLAIM**

The ornamental design of a tool caddy for attachment to a carpet extractor, as shown and described.

DESCRIPTION

FIG. 1 is a rear view showing my new design, the portion of the vacuum cleaner shown in broken lines is for illustrative purposes only and forms no part of the claimed design; FIG. 2 is a front elevational view of the tool caddy in FIG. 1; FIG. 3 is a rear elevational view thereof; FIG. 4 is a right side elevational view thereof; FIG. 5 is a left side elevational view thereof; FIG. 6 is a top view thereof; and, FIG. 7 is a bottom view thereof.

1 Claim, 3 Drawing Sheets

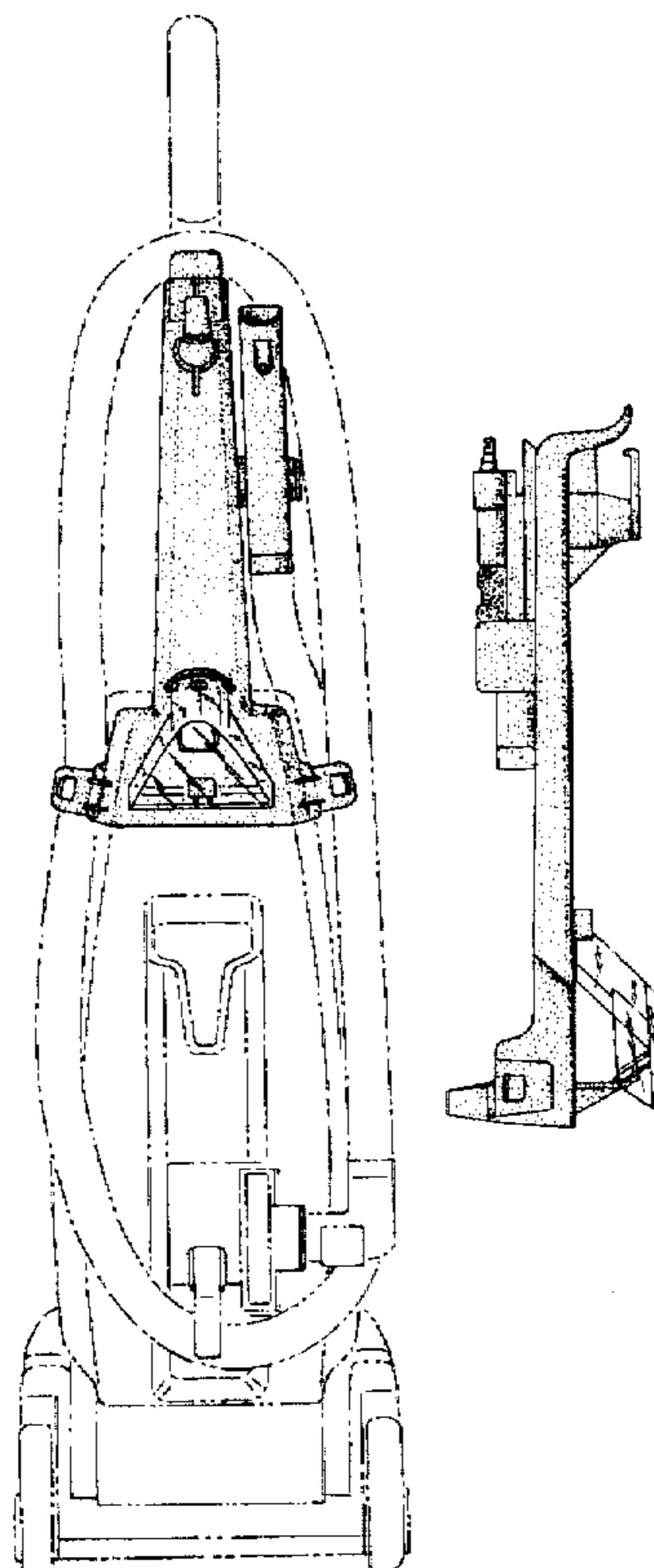
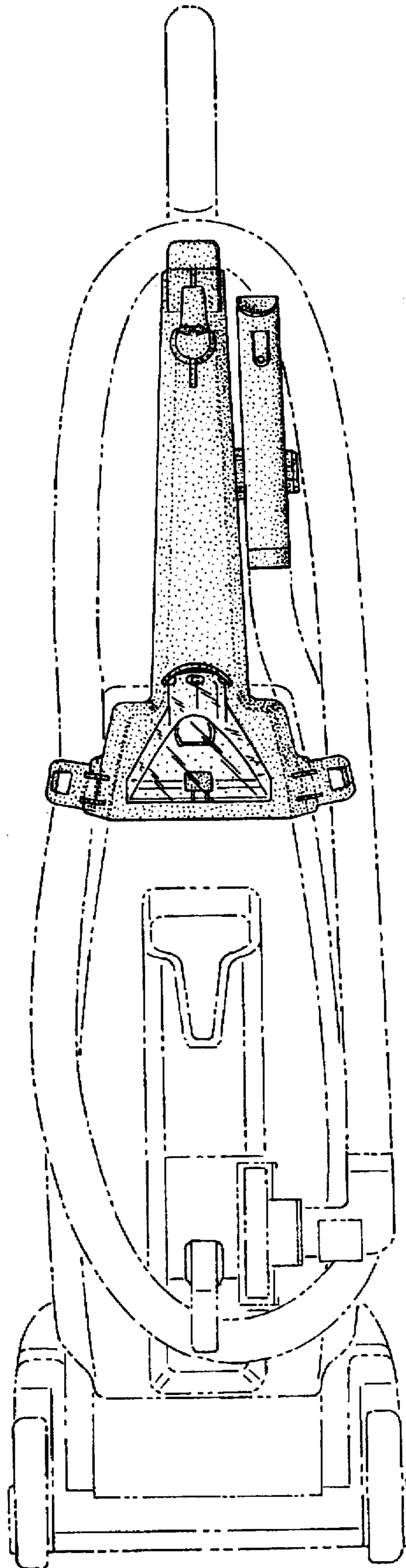


FIG.-1



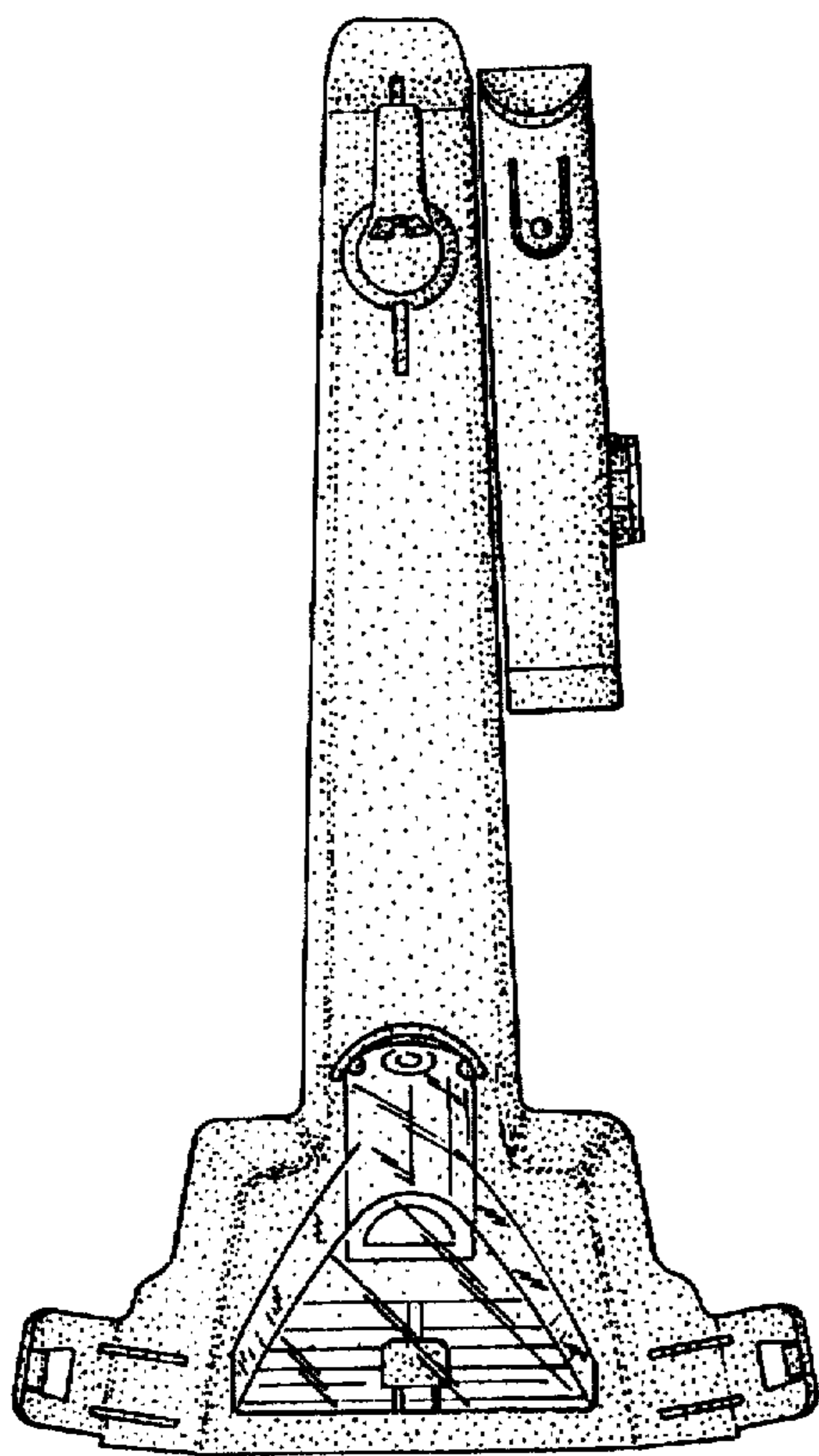


FIG. -2

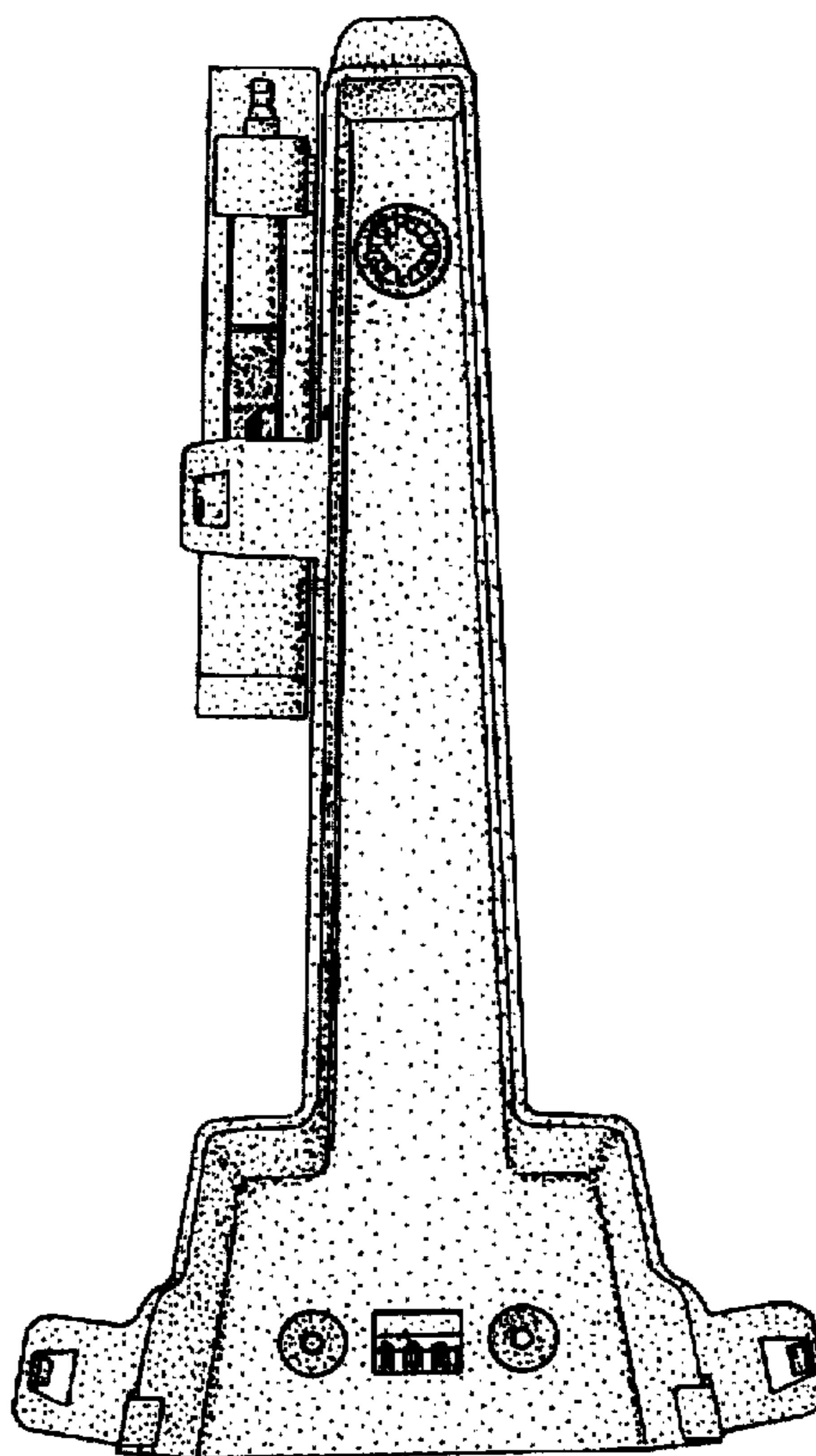


FIG. -3

FIG. -4

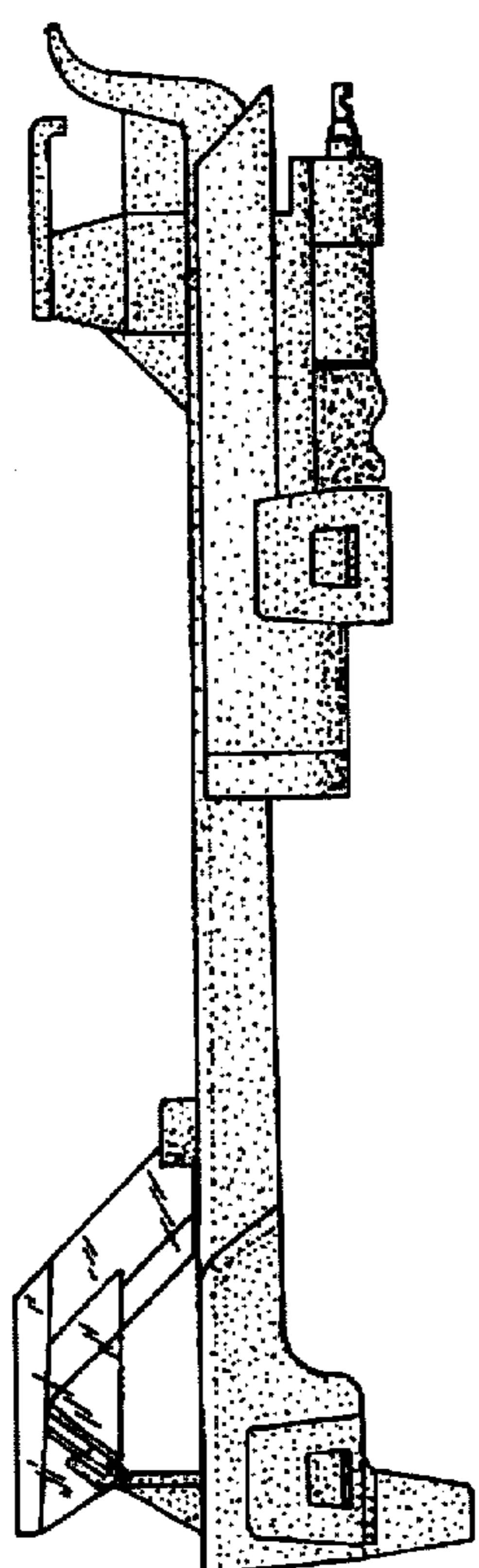
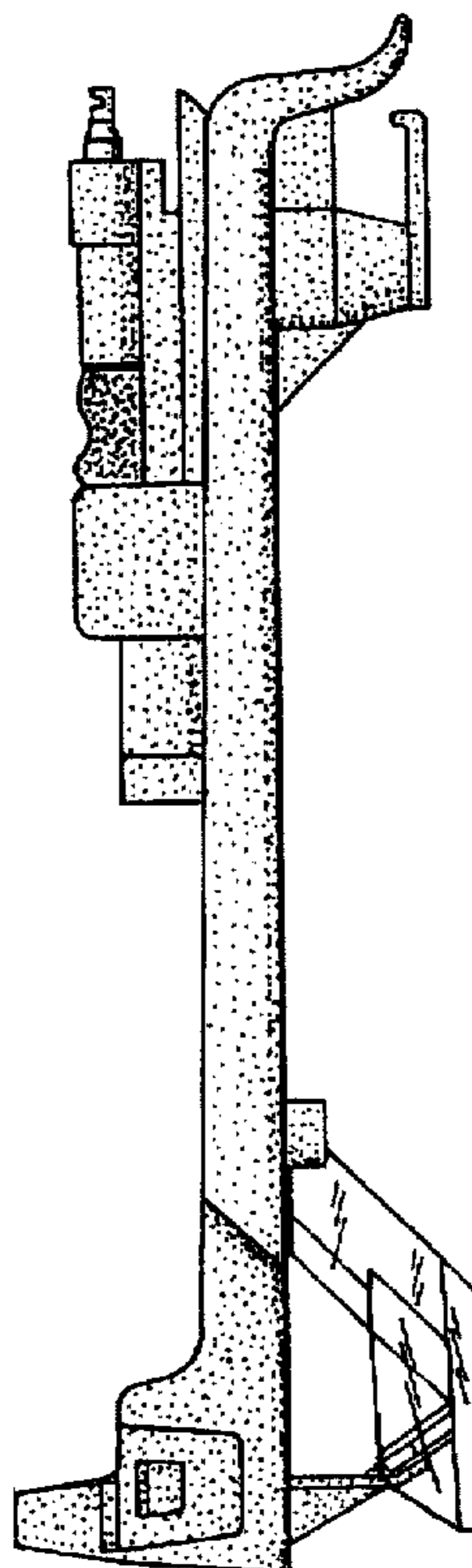


FIG. -5



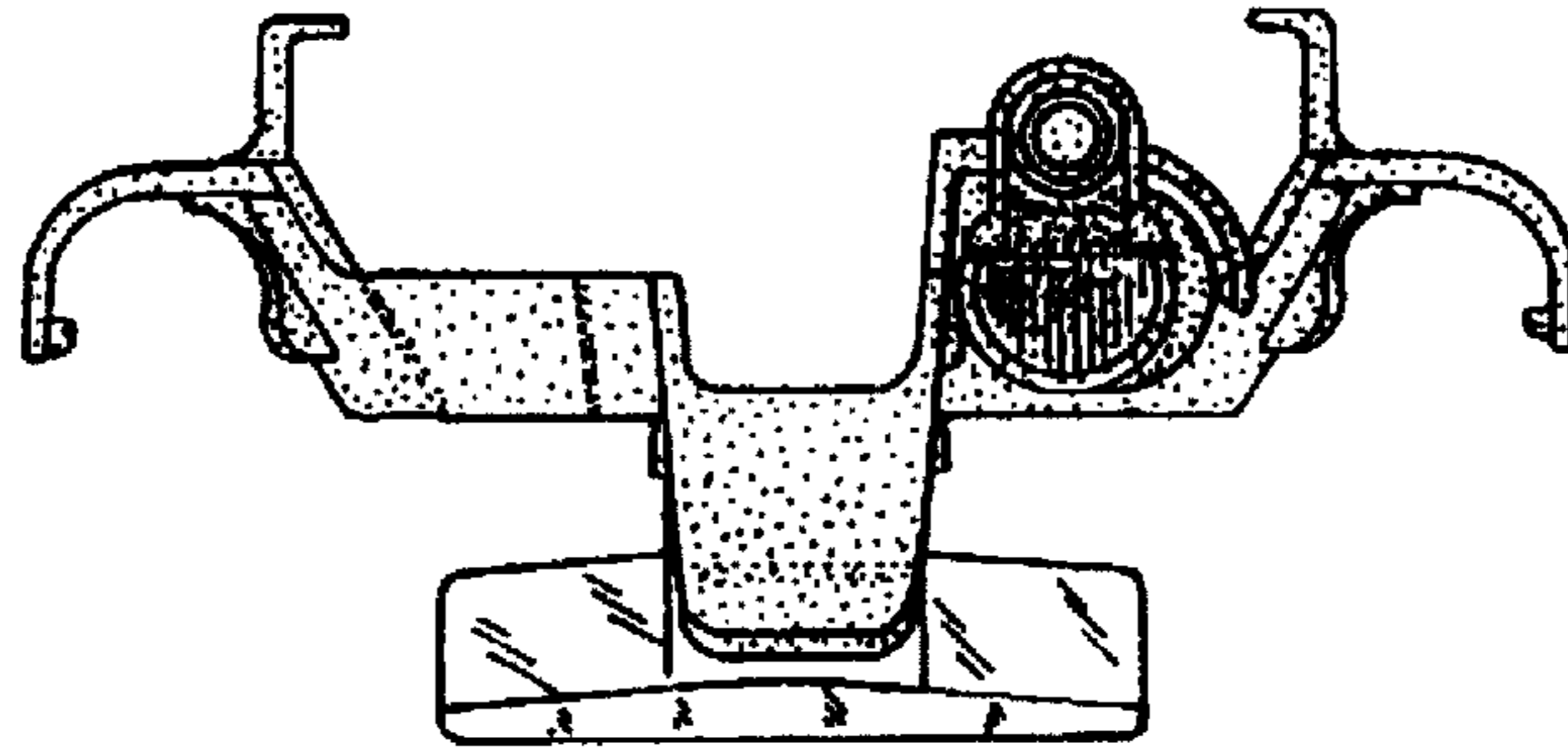


FIG.-6

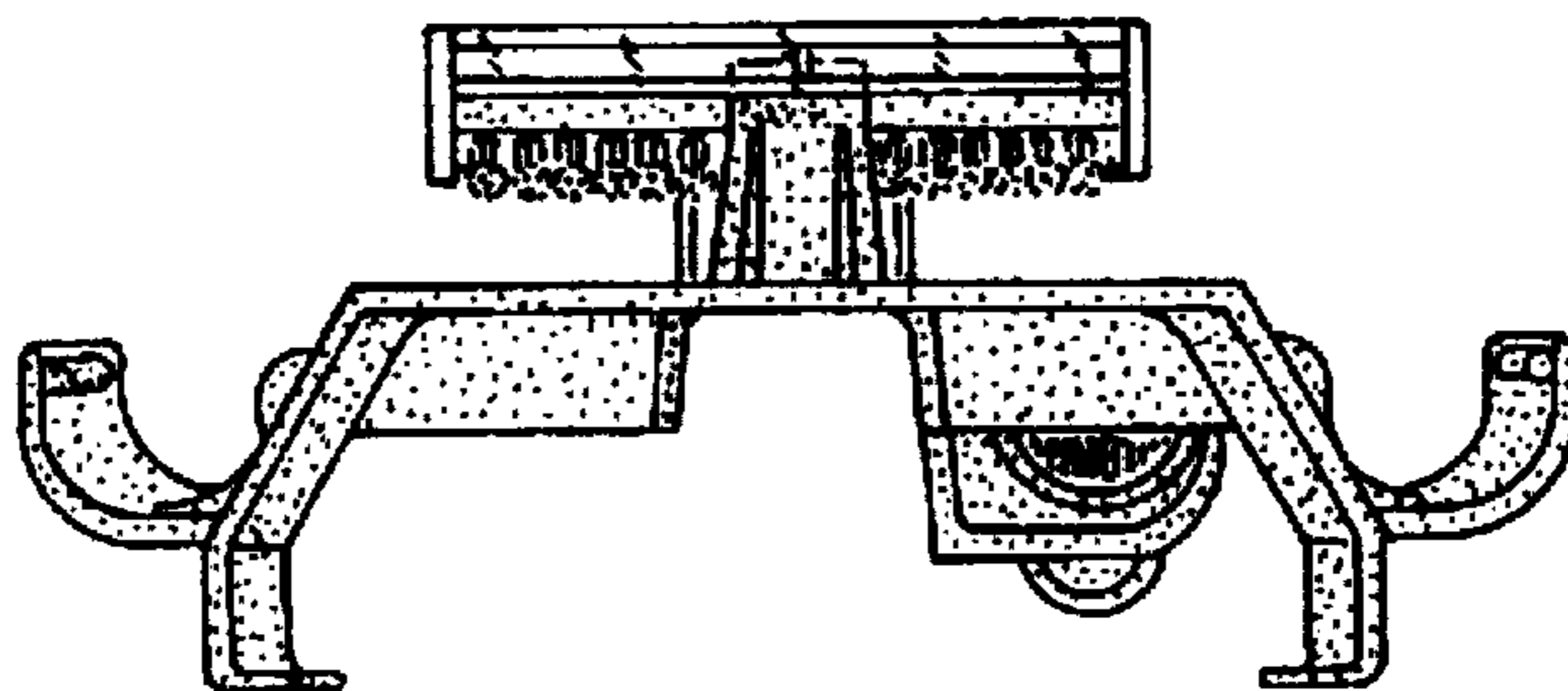


FIG.-7