



US00D391699S

United States Patent [19] Creecy

[11] Patent Number: **Des. 391,699**
[45] Date of Patent: ****Mar. 3, 1998**

[54] **SCRUBBER MACHINE**

[76] Inventor: **Charles T. Creecy**, 218 13th St.,
Racine, Wis. 53403

[**] Term: **14 Years**

[21] Appl. No.: **63,739**

[22] Filed: **Dec. 13, 1996**

[51] LOC (6) Cl. **15-05**

[52] U.S. Cl. **D32/16**

[58] Field of Search D32/15, 16, 19,
D32/20; 15/320, 321, 340.1, 340.3, 340.4,
78, 79.2, 80-83, 87, 49.1

[56] **References Cited**

U.S. PATENT DOCUMENTS

D. 228,087	8/1973	Kasper et al.	D32/16
D. 246,106	10/1977	Russell	D15/5
D. 257,845	1/1981	Peabody et al.	D32/16
D. 267,824	2/1983	Mannelly	D32/16
D. 273,620	4/1984	Kimzey et al.	D32/16
D. 273,622	4/1984	Brown et al.	D32/16
D. 291,932	9/1987	Knowlton et al.	D32/4
D. 329,311	9/1992	Knowlton et al.	D32/16
D. 376,227	12/1996	Knowlton et al.	D32/16

OTHER PUBLICATIONS

Two pages from a Dulevo ad, undated, admitted prior art showing the Model 72 sweeper.
A page from an Amros ad, undated, admitted prior art showing the Model 701 sweeper.

A page from a Kent ad, undated, admitted prior art showing the KS-35BR sweeper.

A page from a Motorscope Industrial ad, undated, admitted prior art showing the R 702 sweeper.

Two pages from a Clarke ad, undated, admitted prior art showing the Model 114 RS sweeper.

One page of an ad, source unknown, undated, admitted prior art showing the 1200 and 1500 Sweepmate sweepers.

Four pages of a R.P.S. Corporation *Factory Cat* Brochure dated 1994.

Primary Examiner—Ruth McInroy
Attorney, Agent, or Firm—Quarles & Brady

[57] **CLAIM**

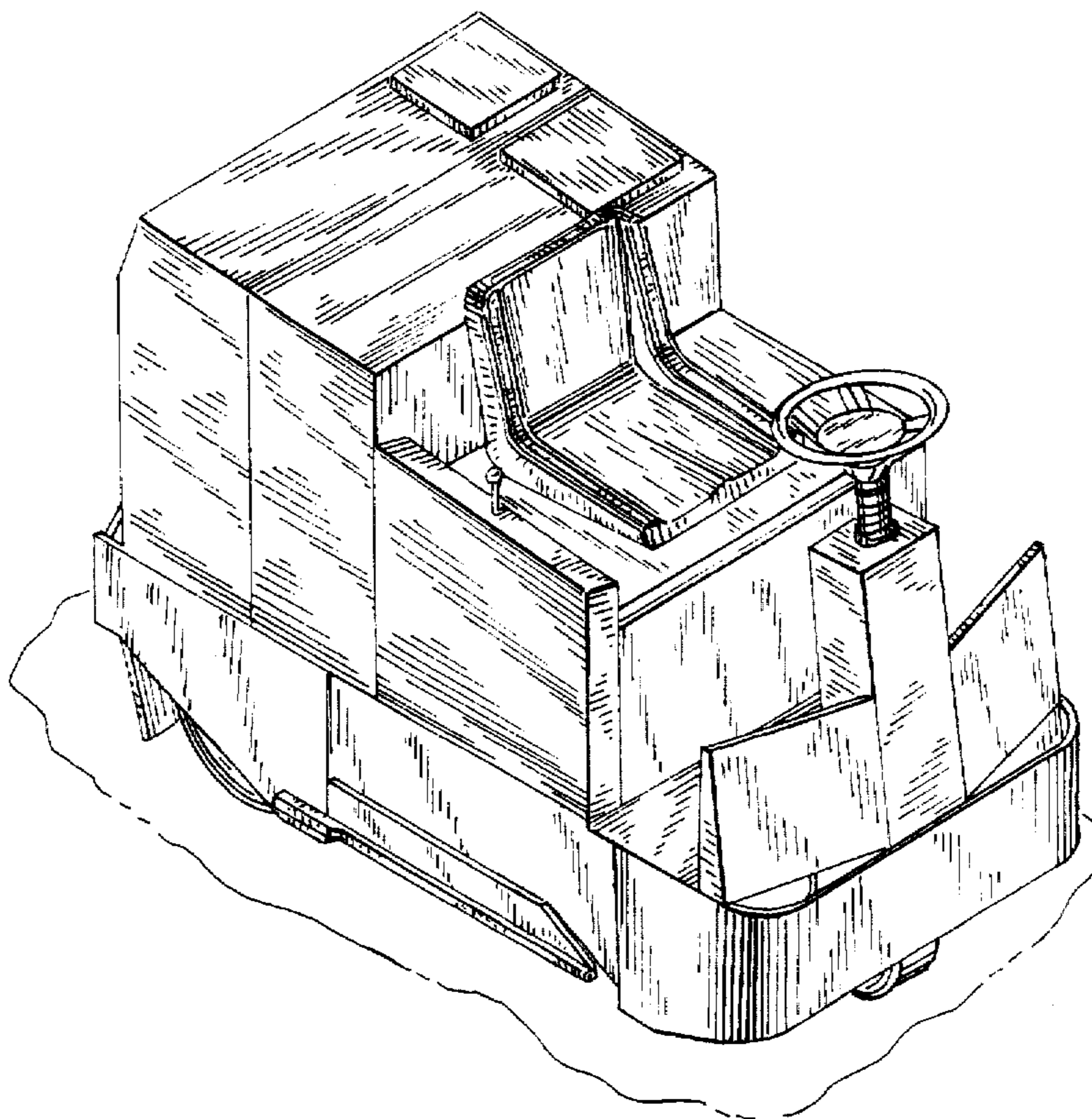
The ornamental design for a scrubber machine, as shown and described.

DESCRIPTION

FIG. 1 is a left, frontal perspective view of a scrubber machine showing my new design;
FIG. 2 is a top plan view thereof;
FIG. 3 is a left side elevational view thereof;
FIG. 4 is a front elevational view thereof;
FIG. 5 is a right side elevational view thereof; and,
FIG. 6 is a back elevational view thereof.

The fragmentary showing of a floor in FIG. 1 is for illustration only and forms no part of the claimed design.

1 Claim, 3 Drawing Sheets



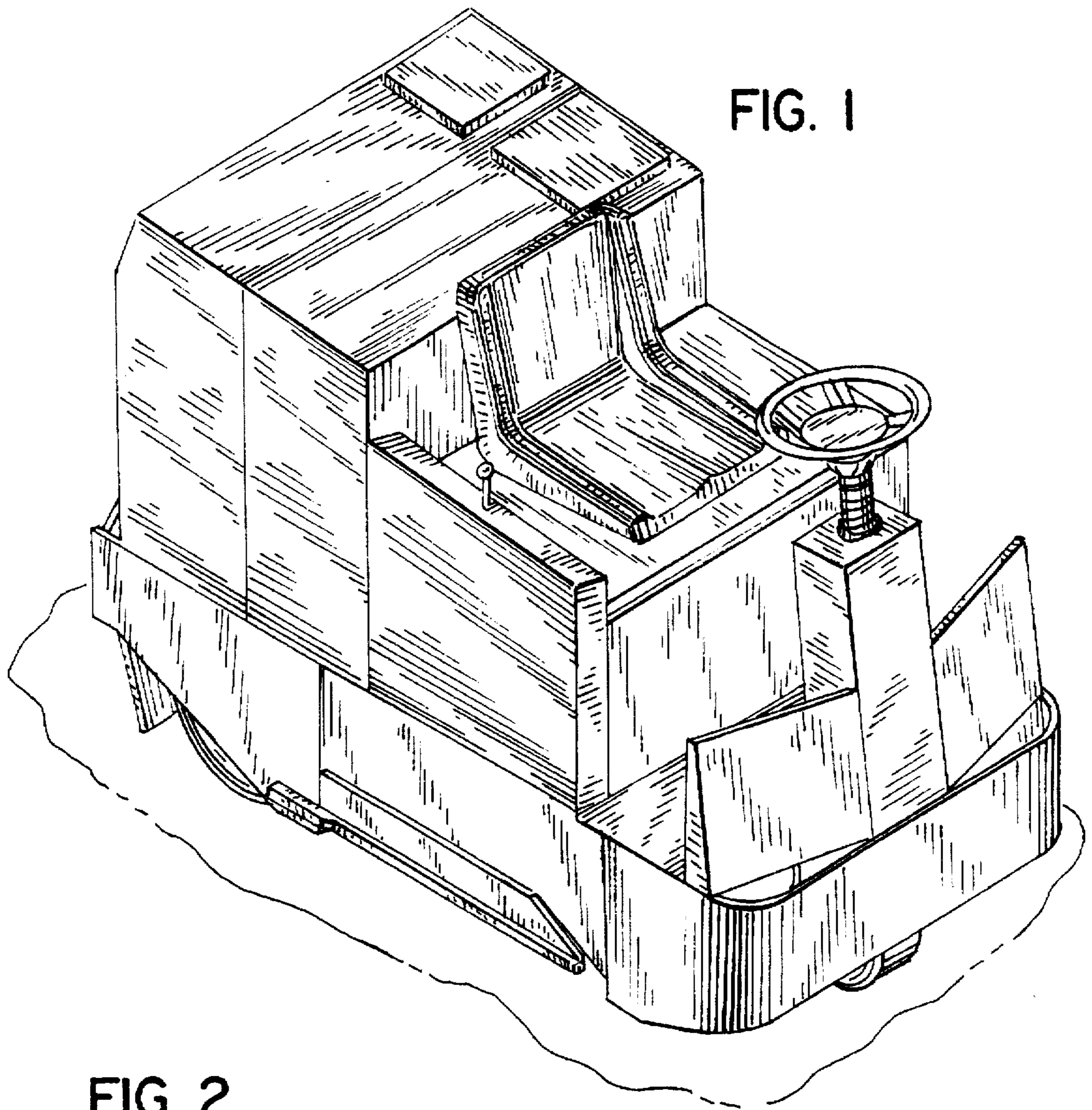


FIG. 1

FIG. 2

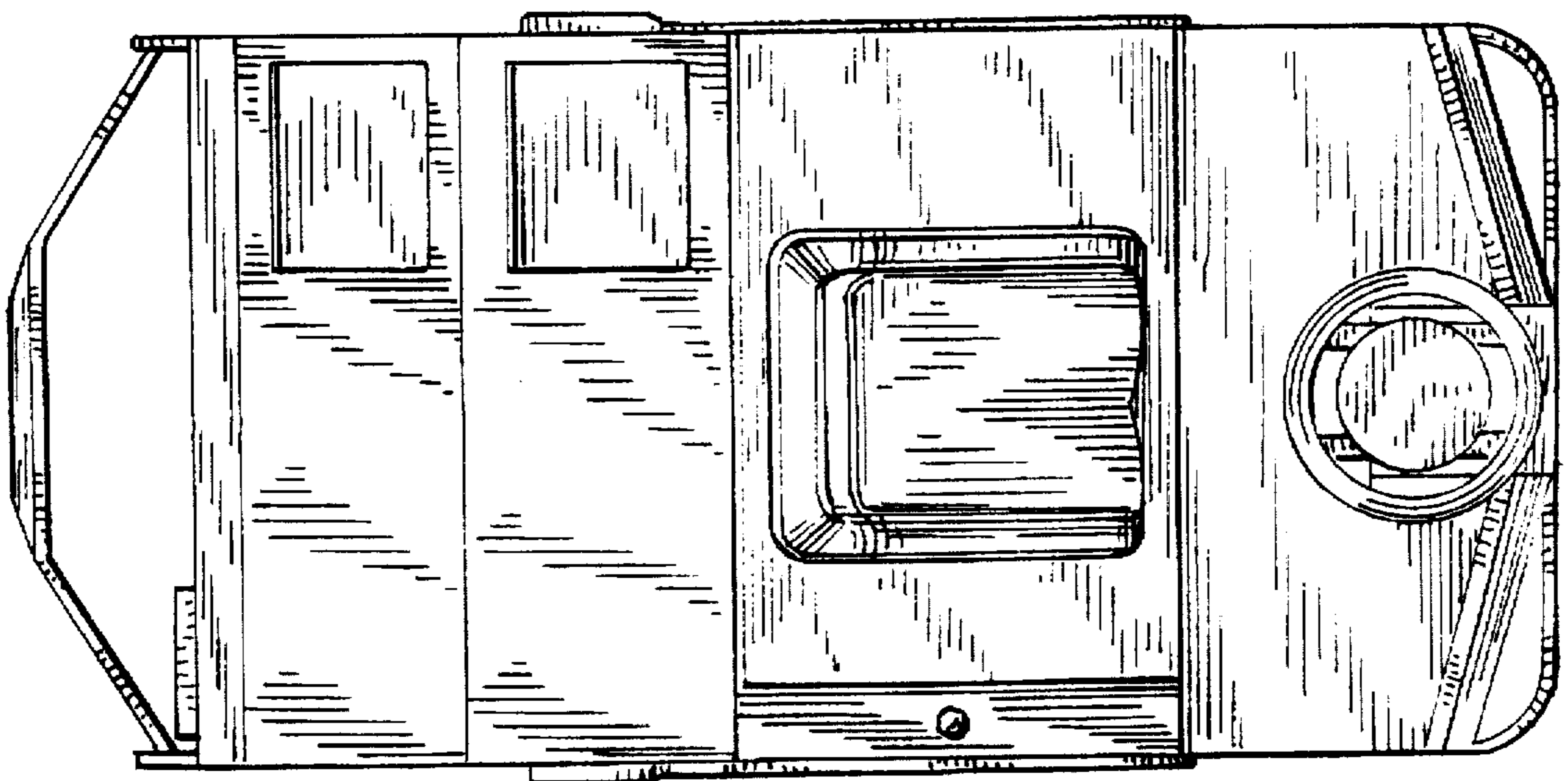


FIG. 3

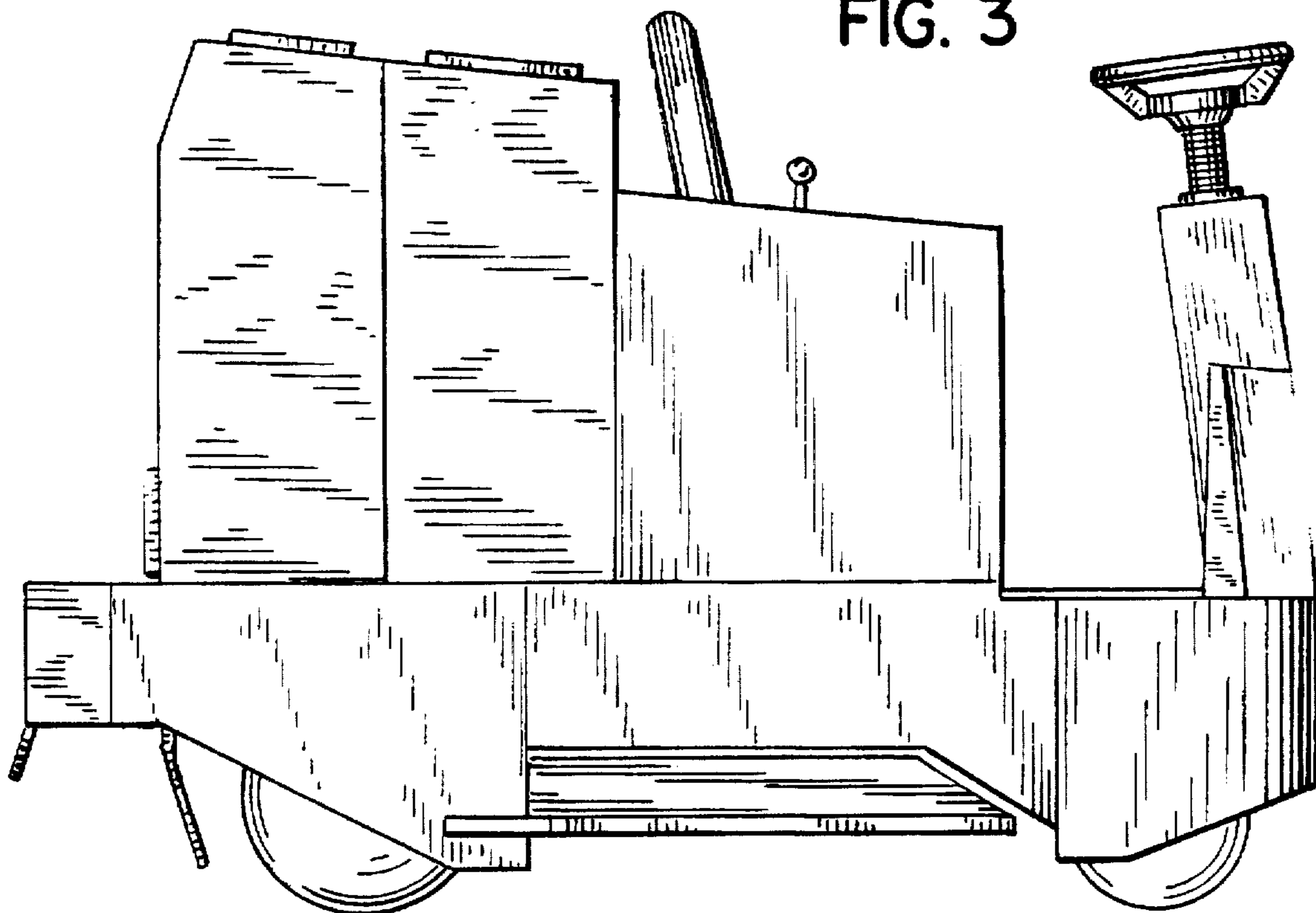


FIG. 4

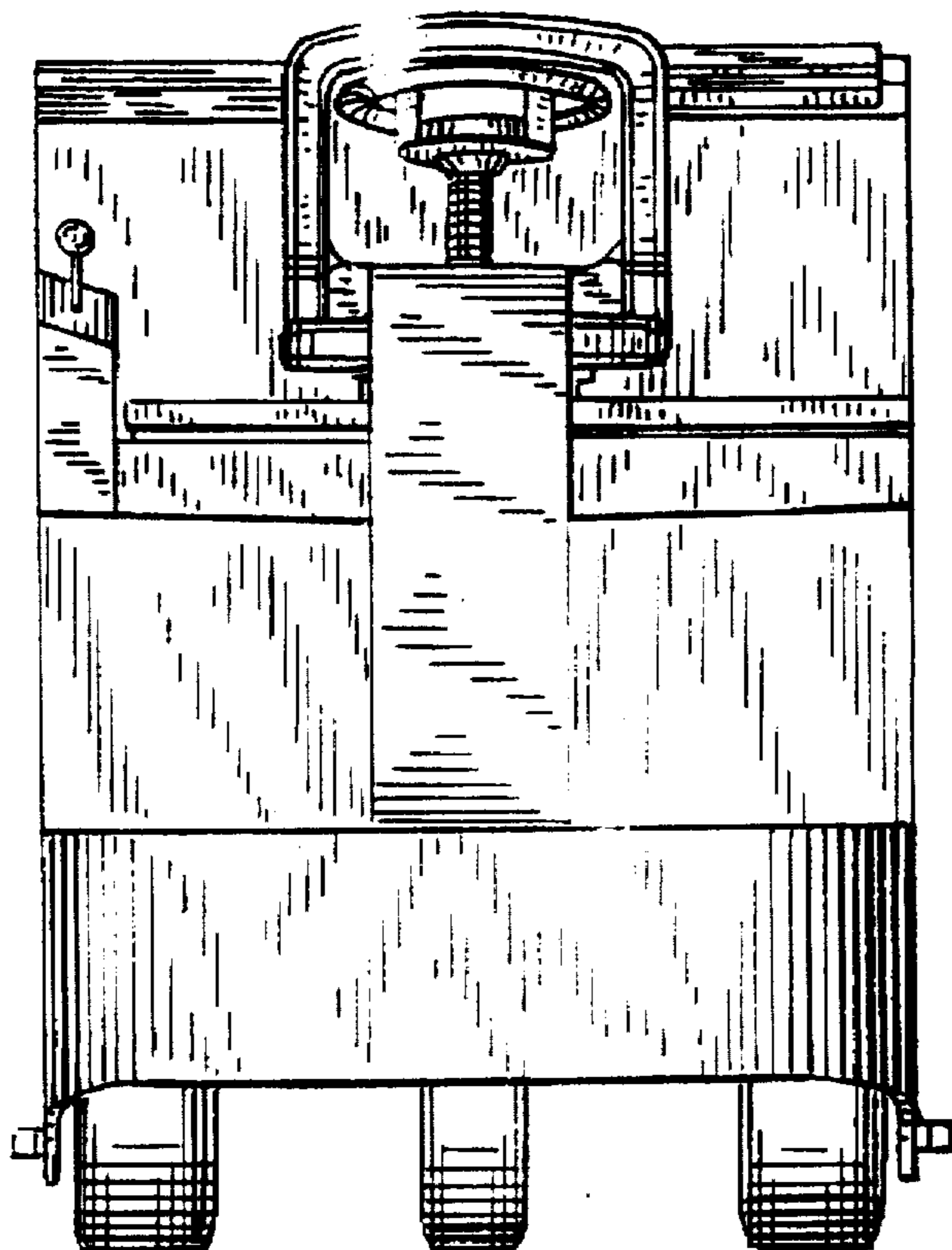


FIG. 5

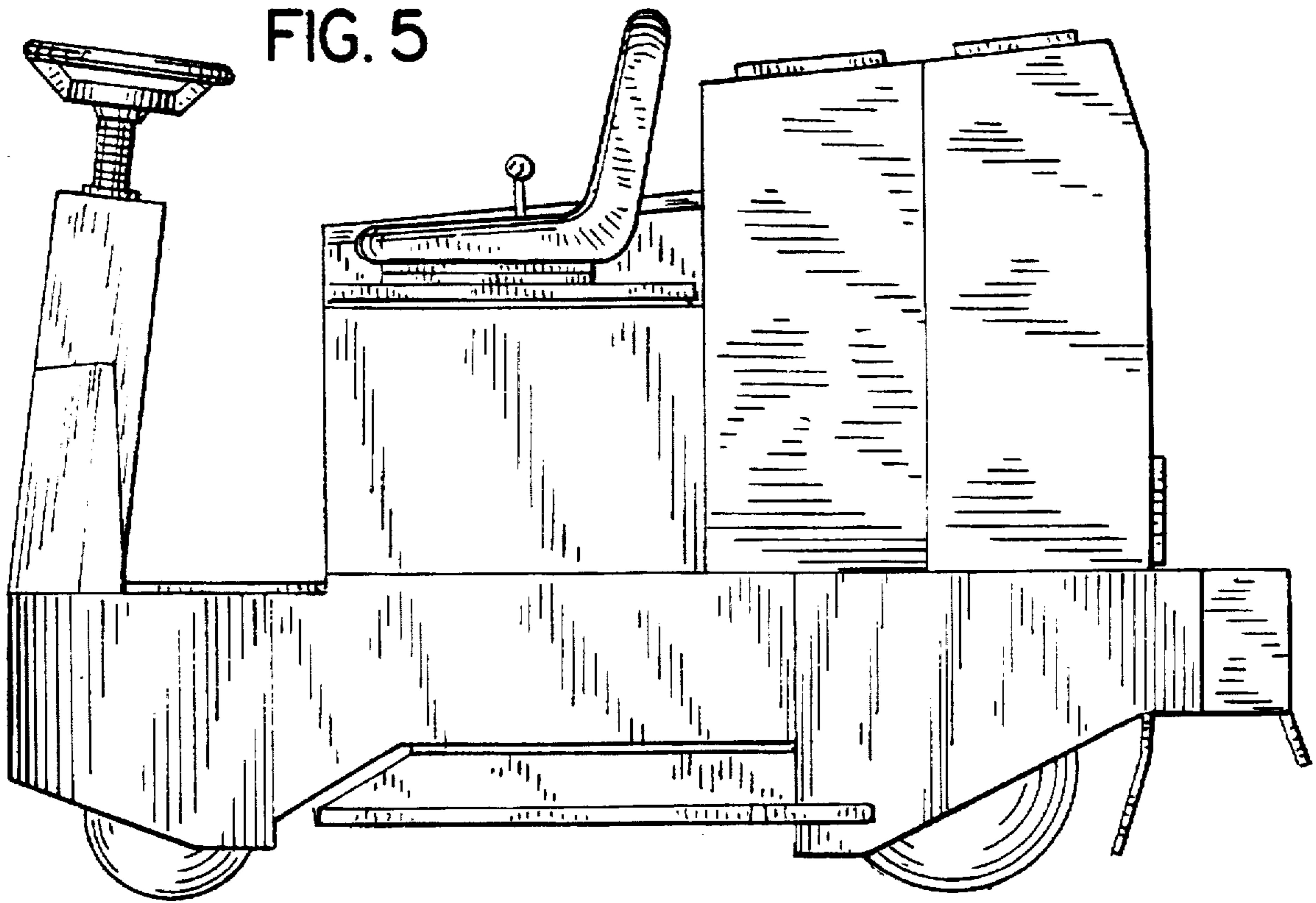


FIG. 6

