



US00D391698S

United States Patent [19]

McCracken et al.

[11] Patent Number: **Des. 391,698**

[45] Date of Patent: ****Mar. 3, 1998**

[54] **ELECTRICALLY-POWERED WAXER**

[75] Inventors: **Robert E. McCracken**, Tucson, Ariz.;
James B. Watson, Conyers, Ga.

[73] Assignee: **Waxing Corporation of America, Inc.**,
Elmhurst, Ill.

[**] Term: **14 Years**

[21] Appl. No.: **46,675**

[22] Filed: **Oct. 20, 1995**

[51] **LOC (6) Cl.** **15-05**

[52] **U.S. Cl.** **D32/15**

[58] **Field of Search** D32/15, 19; D8/62;
15/97.1, 97.3, 53.2, 52.1, 50.3; D4/137;
310/68 D

[56] **References Cited**

U.S. PATENT DOCUMENTS

D. 221,129	7/1971	Hutchins	D8/2
D. 252,731	8/1979	Parise	D8/62
D. 270,515	9/1983	Dunlap	D8/67
D. 273,079	3/1984	Ibaraki	D8/67
D. 277,638	2/1985	Somers	D8/62
D. 283,590	4/1986	Ibaraki	D8/62
D. 295,253	4/1988	Ashworth	D8/62
D. 312,714	12/1990	Simonelli et al.	D32/19
D. 313,094	12/1990	Itaya et al.	D32/19
D. 332,558	1/1993	Hoshino et al.	D8/62
D. 336,229	6/1993	Bunyea	D8/62
D. 337,499	7/1993	Matsunaga et al.	D8/62
D. 349,789	8/1994	Bunyea	D32/19
1,259,609	3/1918	Denhard	.	
1,929,662	10/1933	Wappat	200/157
2,544,343	3/1951	Miller	173/322
2,597,971	5/1952	Burnham	15/97
2,759,305	8/1956	Helbig	51/170
3,401,416	9/1968	Ziegler	15/49
3,780,246	12/1973	Beckering et al.	200/157
3,793,782	2/1974	Bowling	51/170 PT
3,873,796	3/1975	Worobec, Jr.	200/157
4,122,320	10/1978	Edgell et al.	200/157
4,133,971	1/1979	Boyd et al.	174/46
4,216,630	8/1980	Smart et al.	51/170 T

4,276,459	6/1981	Willett et al.	200/157
4,295,240	10/1981	Lex	15/22 R
4,381,628	5/1983	Dicke	51/170 TL
4,388,780	6/1983	Rees	51/128
4,523,411	6/1985	Freerks	51/170 MT
4,799,282	1/1989	Fischer	15/98
4,858,271	8/1989	Berfield et al.	15/339
4,866,804	9/1989	Masbruch et al.	15/49 R
4,875,879	10/1989	Bunyea et al.	439/501
4,962,562	10/1990	Englund et al.	15/230.16
5,007,128	4/1991	Englund et al.	15/230.16
5,008,574	4/1991	Kitahata	310/68 D
5,038,523	8/1991	Farber et al.	51/170 R
5,136,130	8/1992	Daly	200/318.1
5,138,735	8/1992	Kusz et al.	15/97.1
5,185,964	2/1993	Englund et al.	51/281 R
5,231,727	8/1993	Armbruster	15/97.1
5,243,727	9/1993	Tanaka et al.	15/98
5,289,605	3/1994	Armbruster	15/97.1
5,309,594	5/1994	Thompson	15/97.1
5,318,158	6/1994	Seasholtz	191/12 R
5,330,138	7/1994	Schlessmann	248/52
5,347,673	9/1994	Nickels, Jr.	15/97.1
5,349,785	9/1994	Nickels, Jr. et al.	451/357

FOREIGN PATENT DOCUMENTS

3313704 A1	10/1984	Germany	.
2 224 231	5/1990	United Kingdom	.

Primary Examiner—Ruth McInroy
Attorney, Agent, or Firm—Fitch, Even, Tabin & Flannery

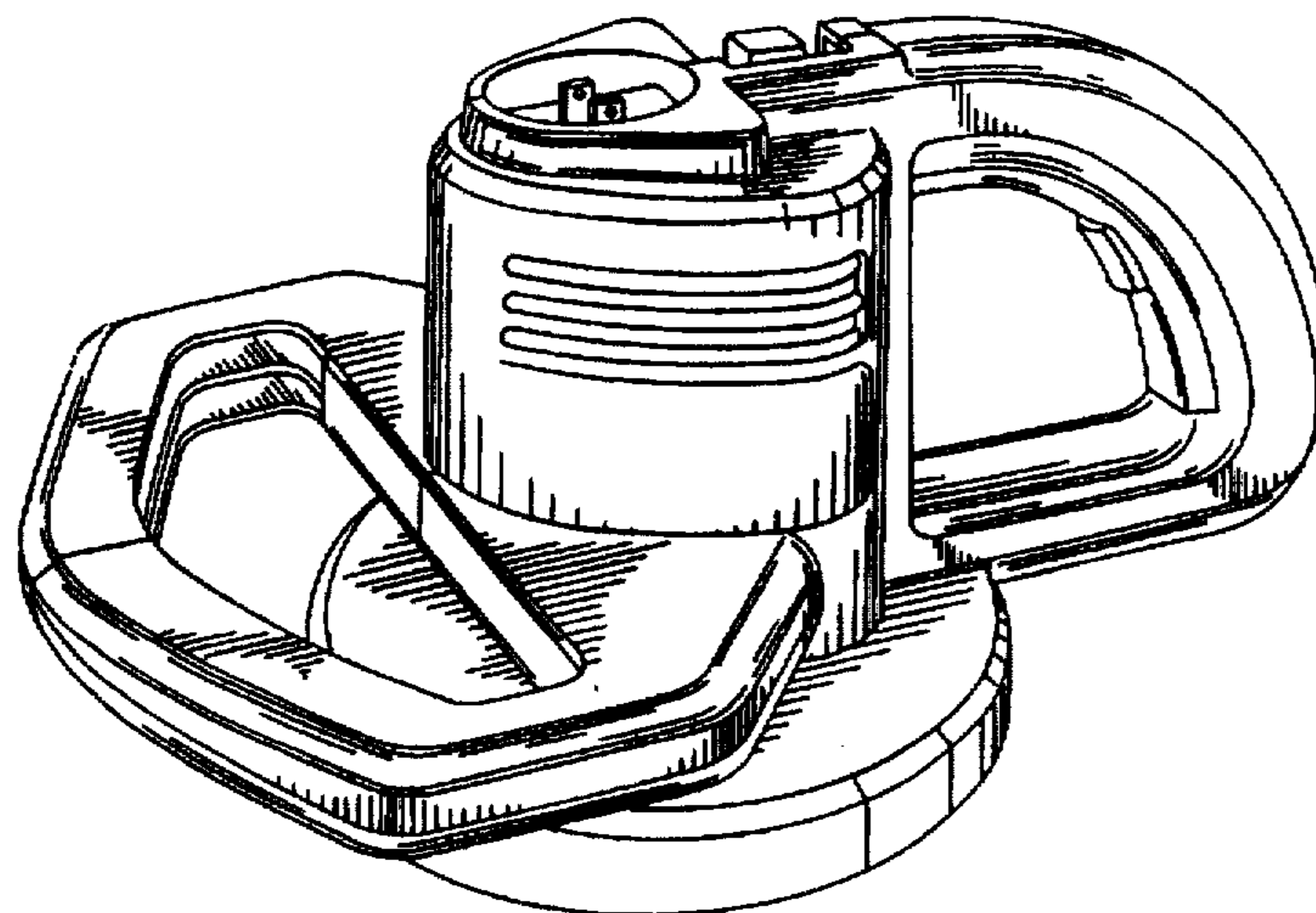
[57] **CLAIM**

The ornamental design for an electrically-powered waxer, as shown and described.

DESCRIPTION

FIG. 1 is a perspective view of the electrically-powered waxer showing our new design;
FIG. 2 is a left side elevational view thereof;
FIG. 3 is a top plan view thereof;
FIG. 4 is a right side elevational view thereof;
FIG. 5 is a front elevational view thereof;
FIG. 6 is a rear elevational view thereof; and,
FIG. 7 is a bottom plan view thereof.

1 Claim, 3 Drawing Sheets



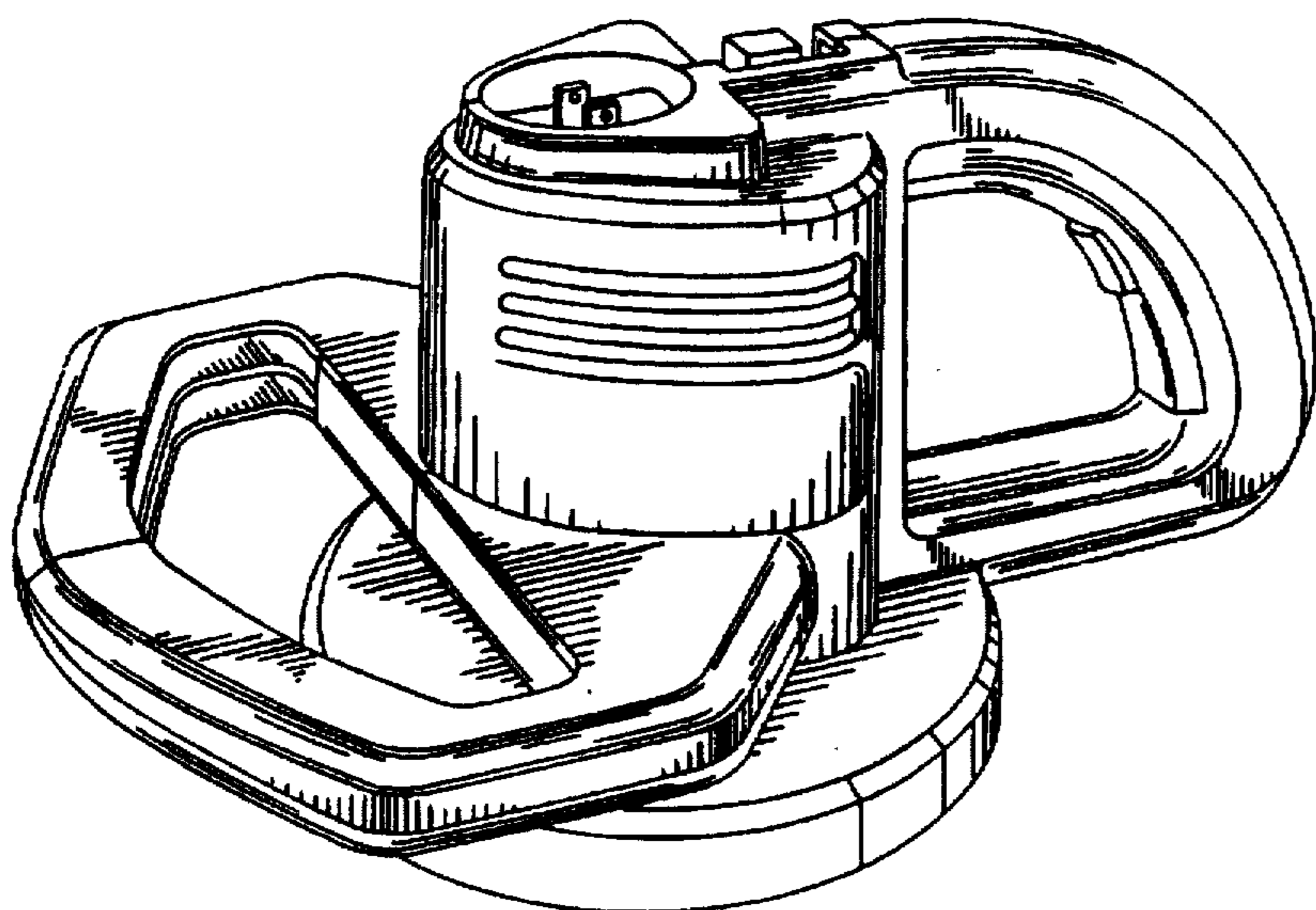


FIG. 1

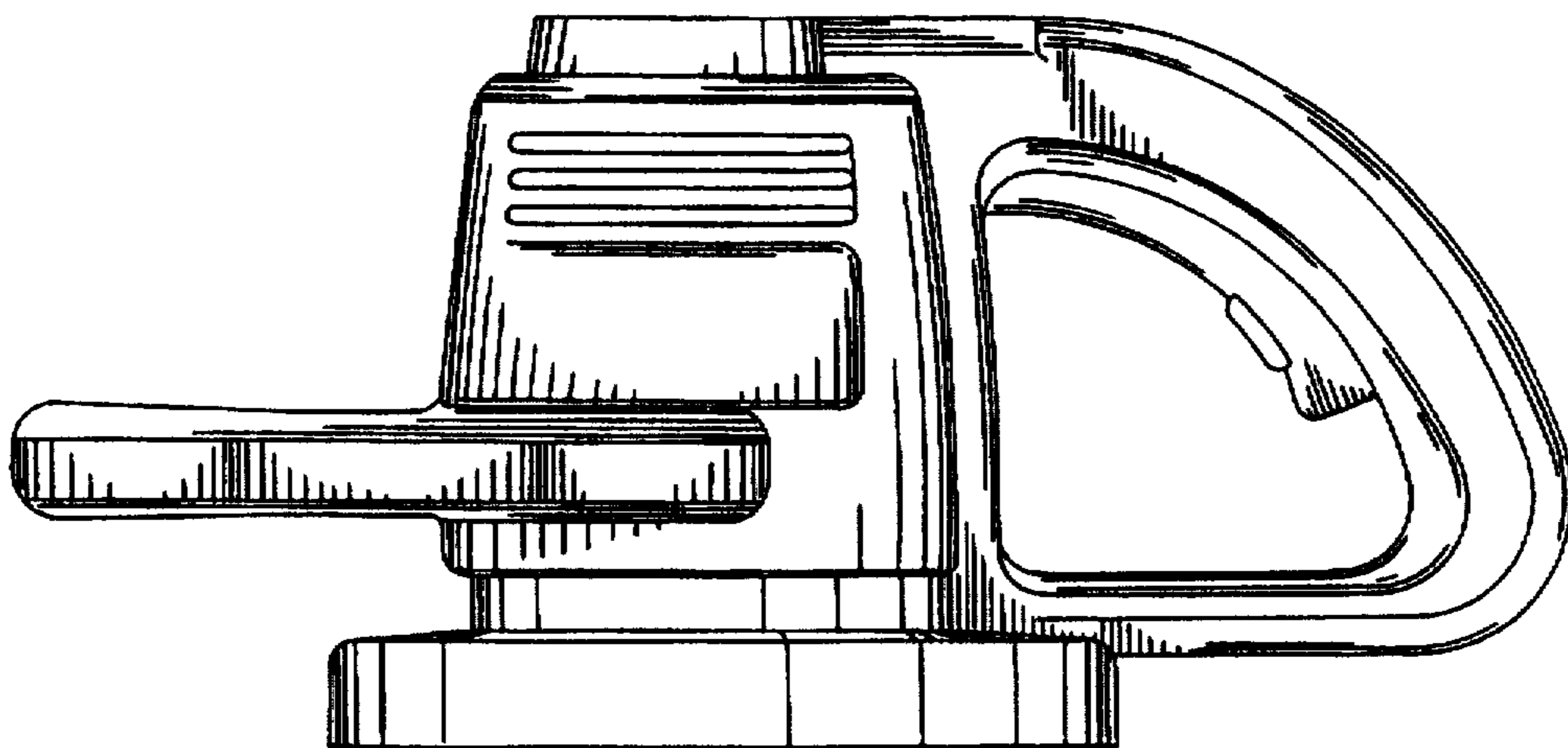


FIG. 2

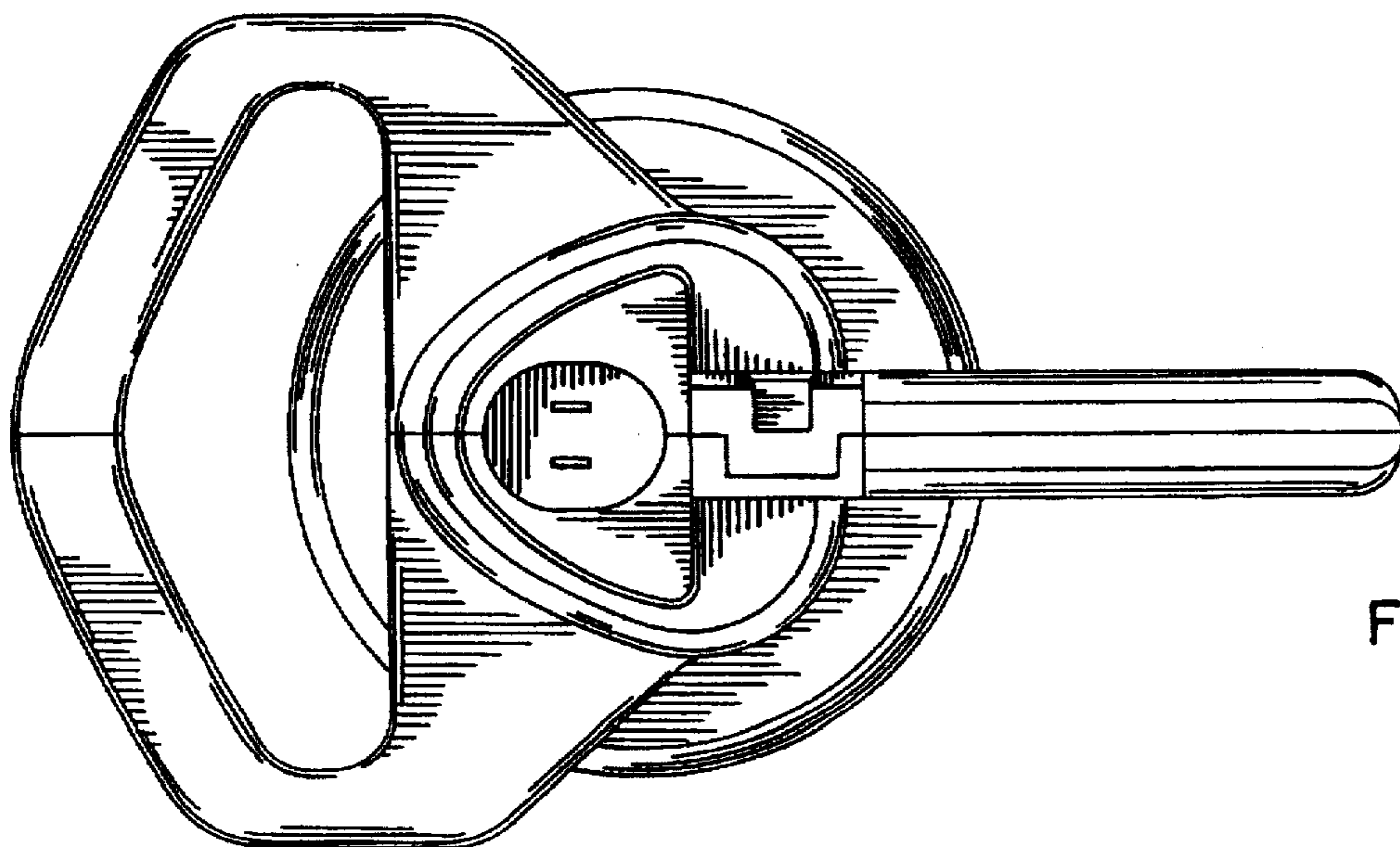


FIG. 3

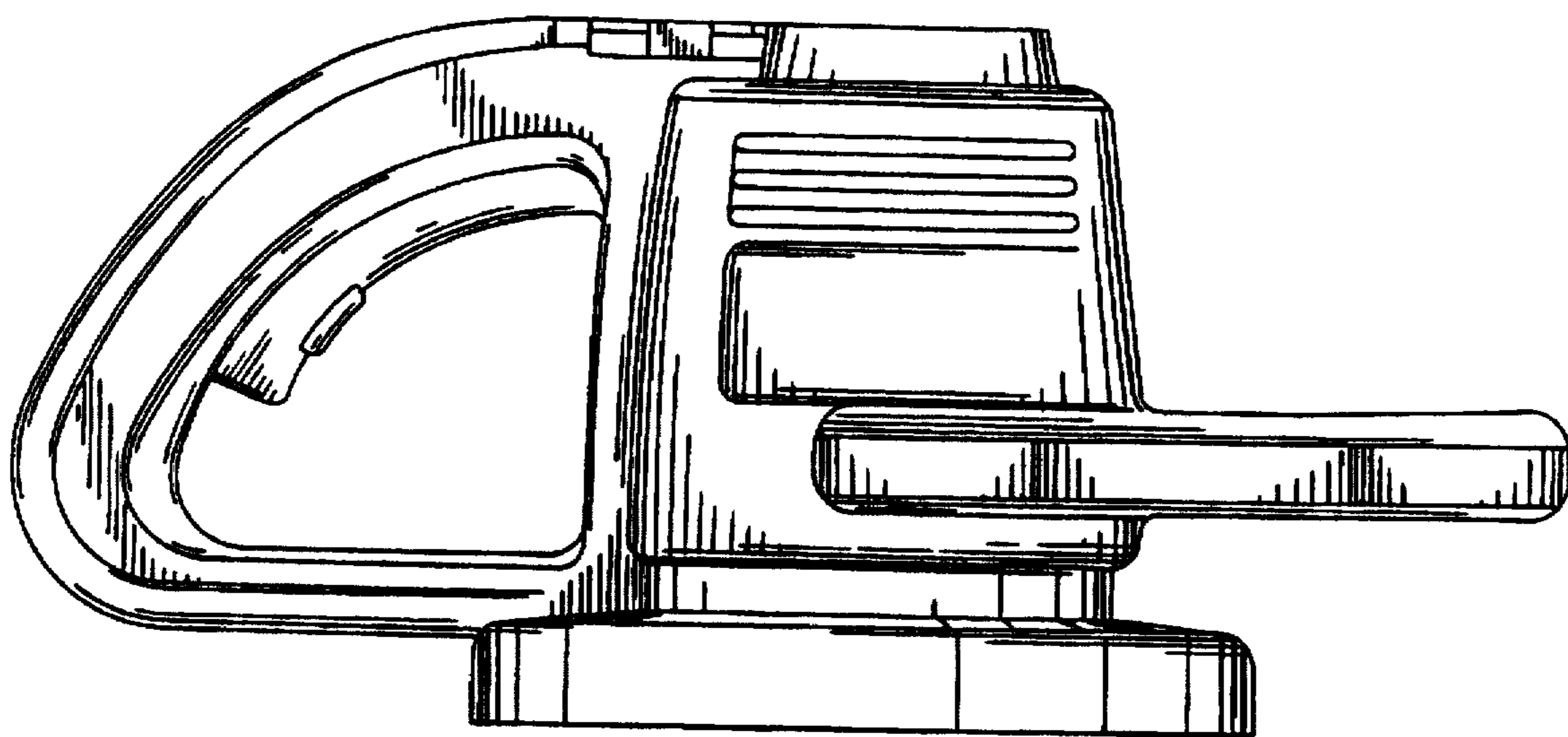


FIG. 4

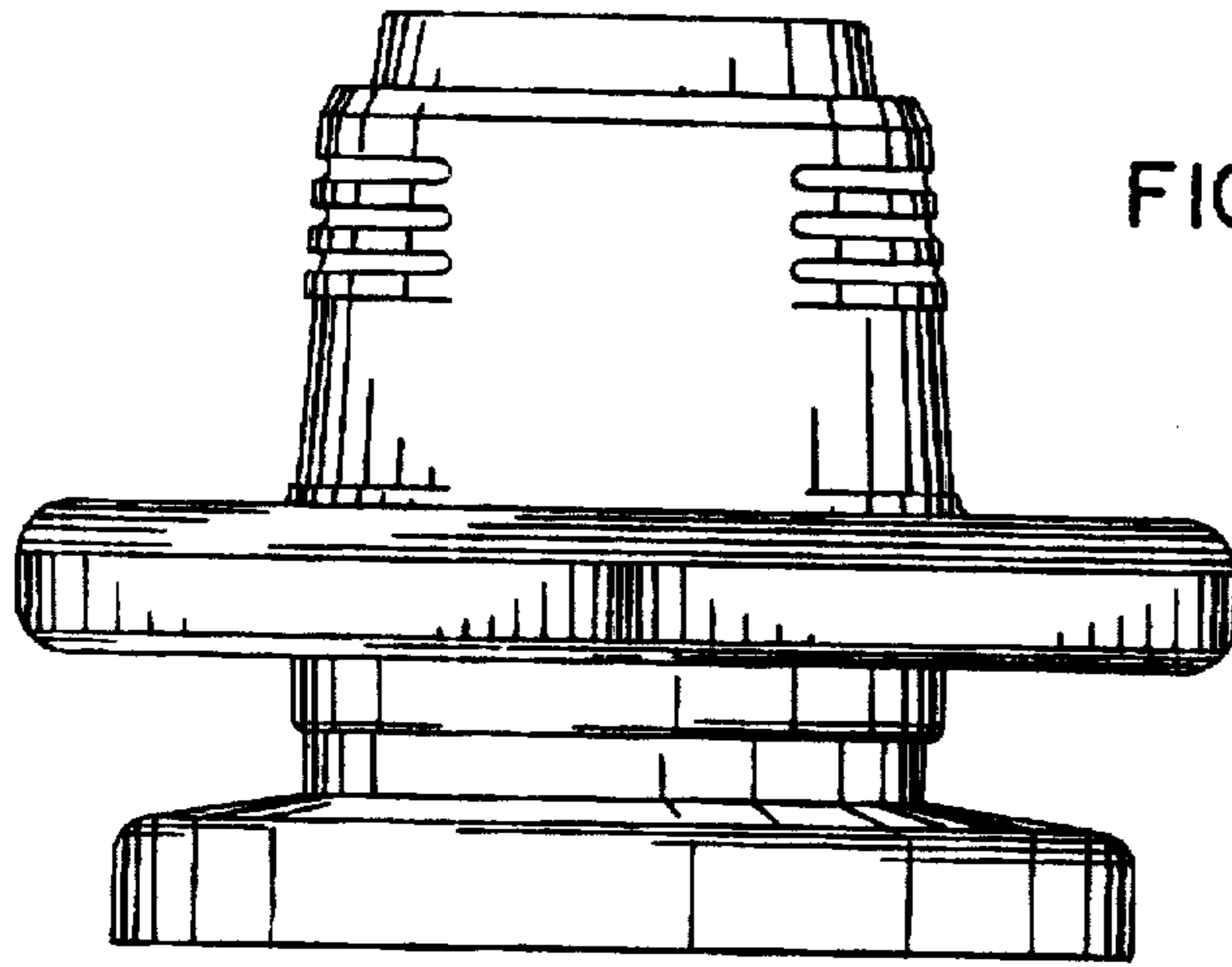


FIG. 5

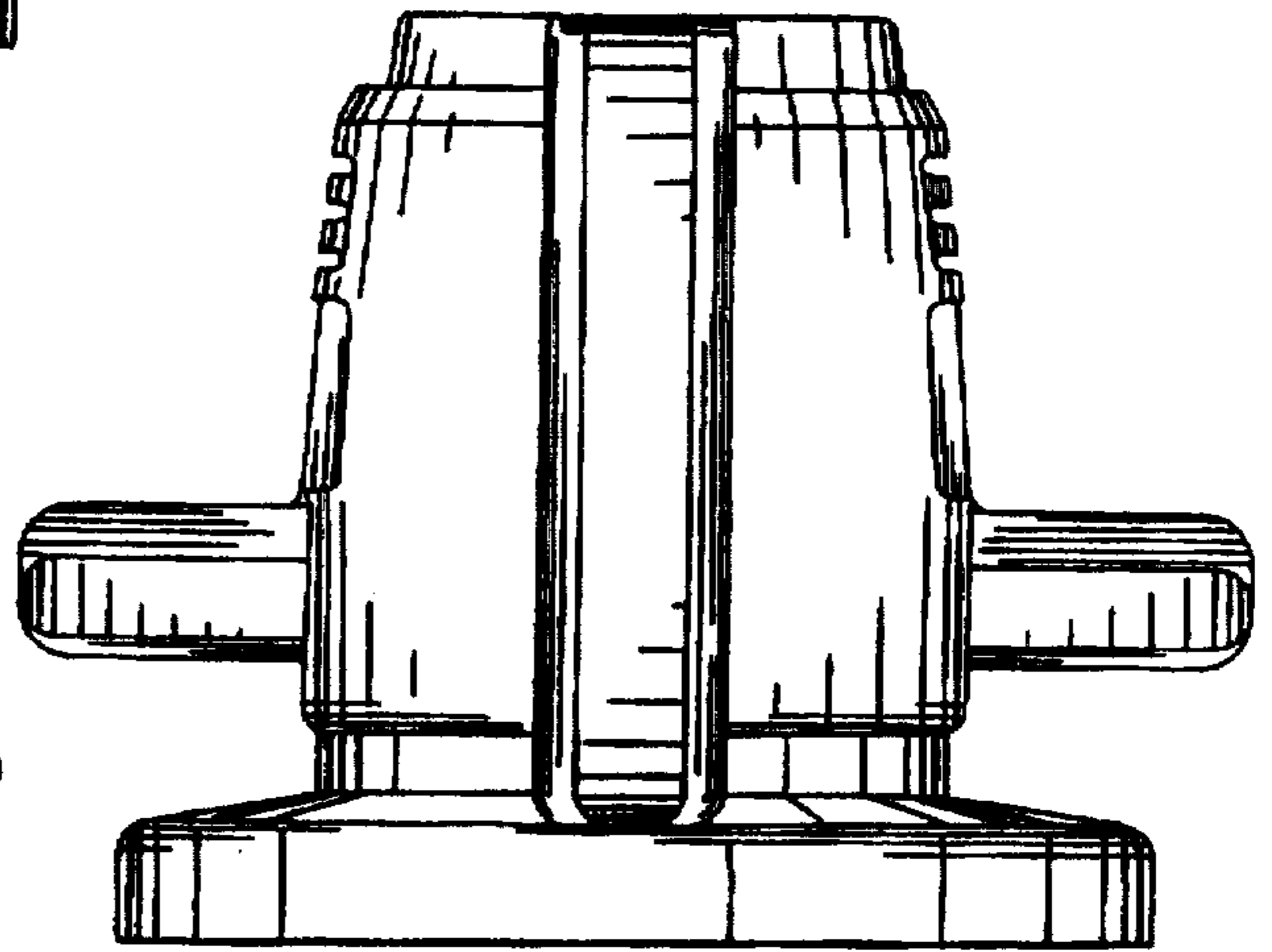


FIG. 6

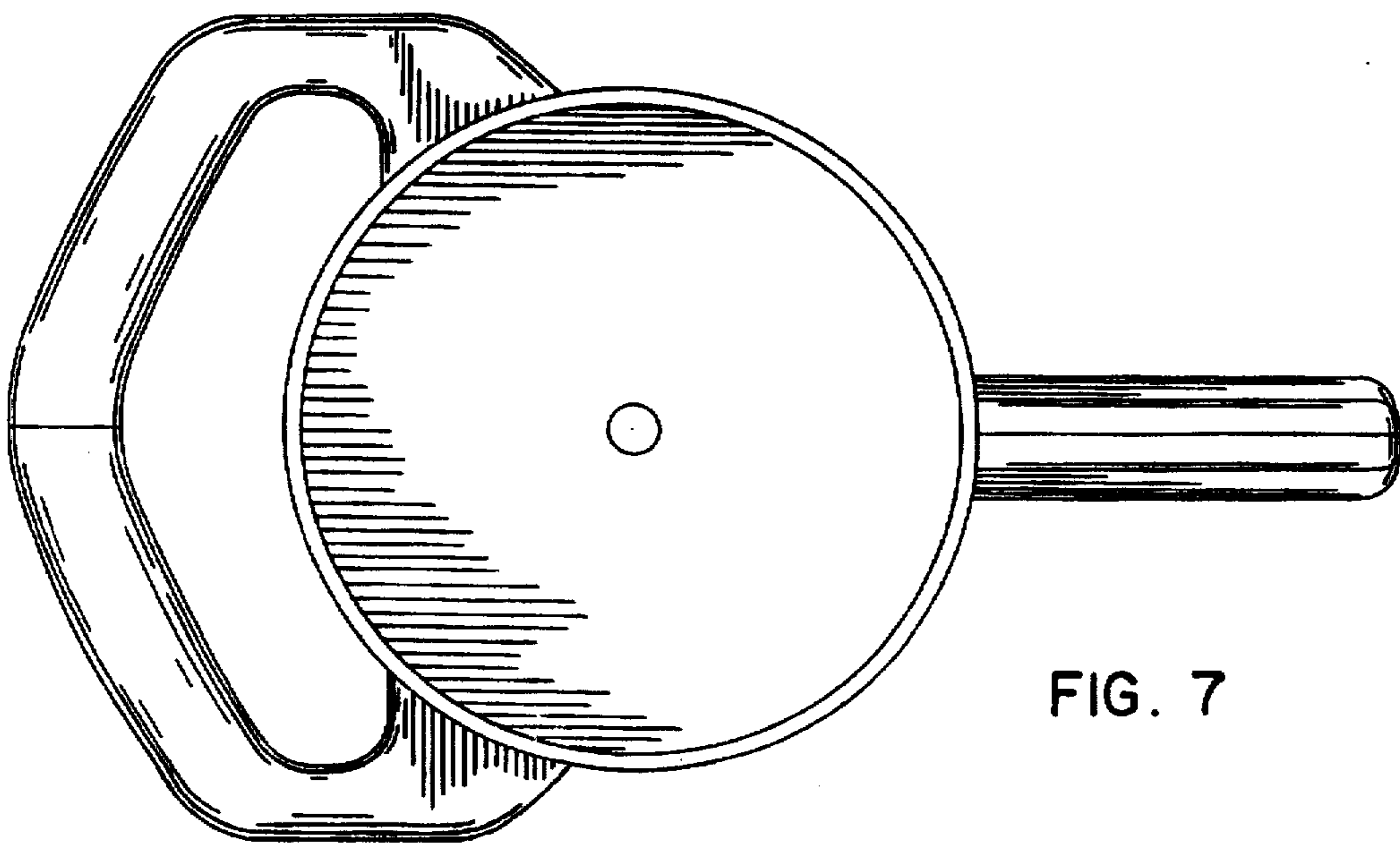


FIG. 7