



US00D391697S

United States Patent [19]

Knowlton et al.

[11] Patent Number: **Des. 391,697**

[45] Date of Patent: ****Mar. 3, 1998**

[54] **ARTICULATED FLOOR CLEANER**

[75] Inventors: **Christopher M. Knowlton**, Pinehurst, N.C.; **Robert J. O'Hara**, Castle Rock, Colo.

[73] Assignee: **Windsor Industries, Inc.**, Englewood, Colo.

[**] Term: **14 Years**

[21] Appl. No.: **54,101**

[22] Filed: **May 6, 1996**

[51] LOC (6) Cl. **15-05**

[52] U.S. Cl. **D32/4; D32/4**

[58] Field of Search D32/1, 4, 15, 16;
15/320, 78-87, 340.1

[56] References Cited

U.S. PATENT DOCUMENTS

D. 202,170	9/1965	Little et al.	D32/16
D. 228,087	8/1973	Kasper	D32/16
D. 228,362	9/1973	Krier et al.	D32/16
D. 231,387	4/1974	Krier et al.	D32/16
D. 291,932	9/1987	Knowlton et al.	D32/16
D. 314,257	1/1991	Hoover	D32/15

D. 329,311	9/1992	Knowlton et al.	D32/16
D. 376,227	12/1996	Knowlton et al.	D32/16
2,637,055	5/1953	Mott	D32/16 X
2,701,377	2/1955	Luksch et al.	D32/16 X

Primary Examiner—Raphael Barkai
Assistant Examiner—Mitchell I. Siegel
Attorney, Agent, or Firm—Sheridan Ross P.C.

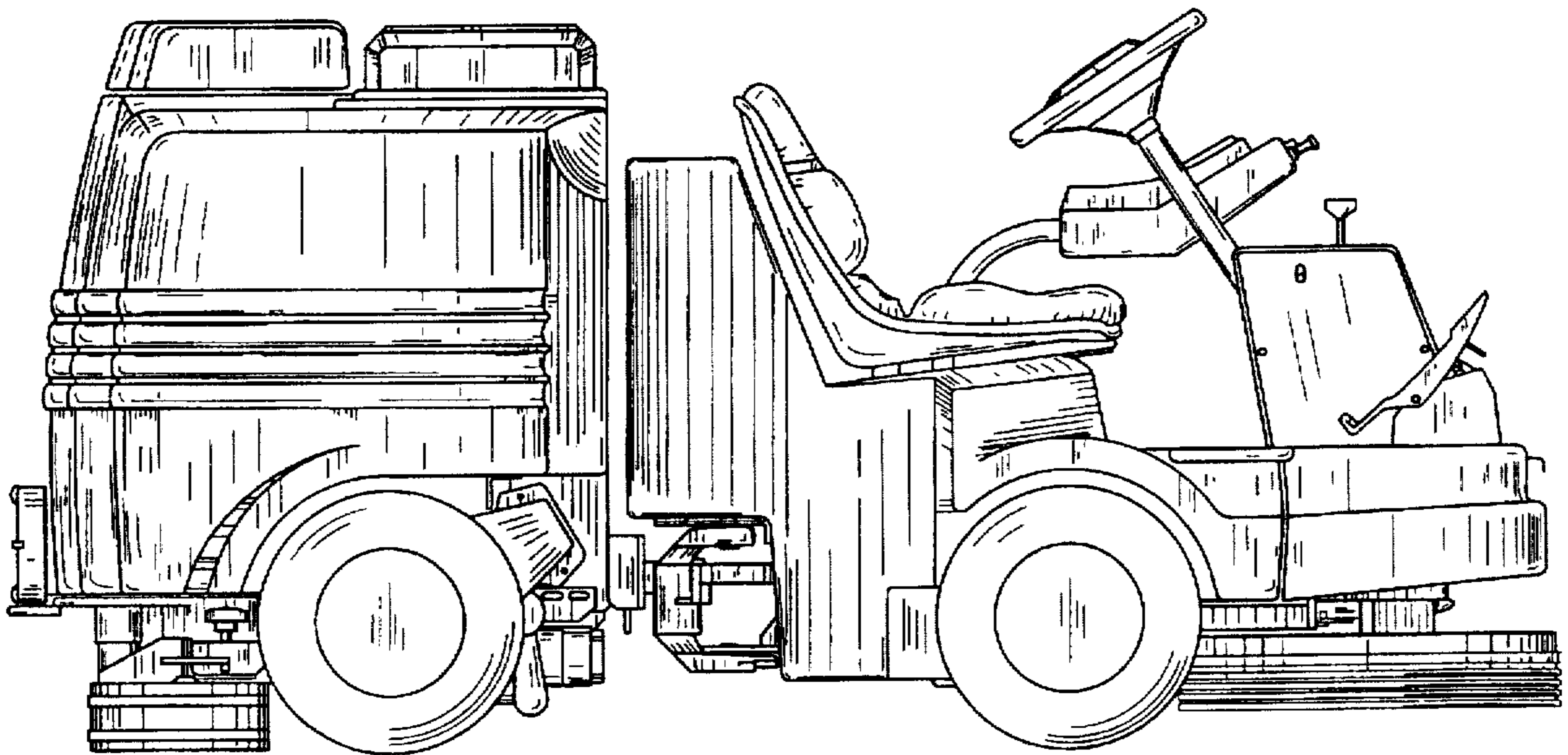
[57] CLAIM

The ornamental design for an articulated floor cleaner, as shown and described.

DESCRIPTION

FIG. 1 is a right side elevational view of an articulated floor cleaner showing our new design;
FIG. 2 is a left side elevational view thereof;
FIG. 3 is a top plan view thereof;
FIG. 4 is a front elevational view of the front section of the floor cleaner;
FIG. 5 is a rear elevational view of FIG. 4;
FIG. 6 is a rear elevational view of the rear section of the floor cleaner;
FIG. 7 is a front elevational view of FIG. 6; and,
FIG. 8 is a bottom plan view of FIG. 1.

1 Claim, 6 Drawing Sheets



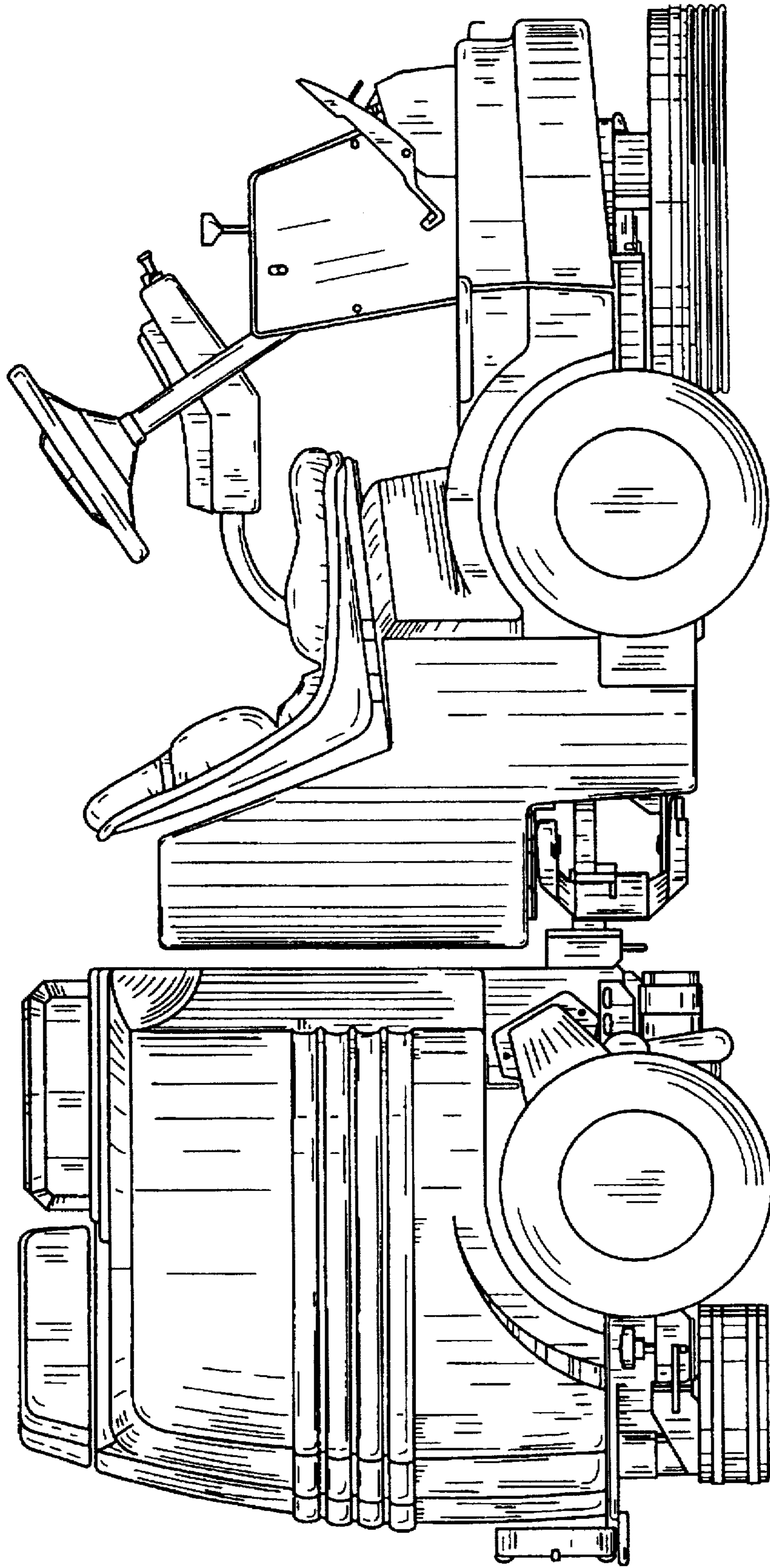


Fig. 1

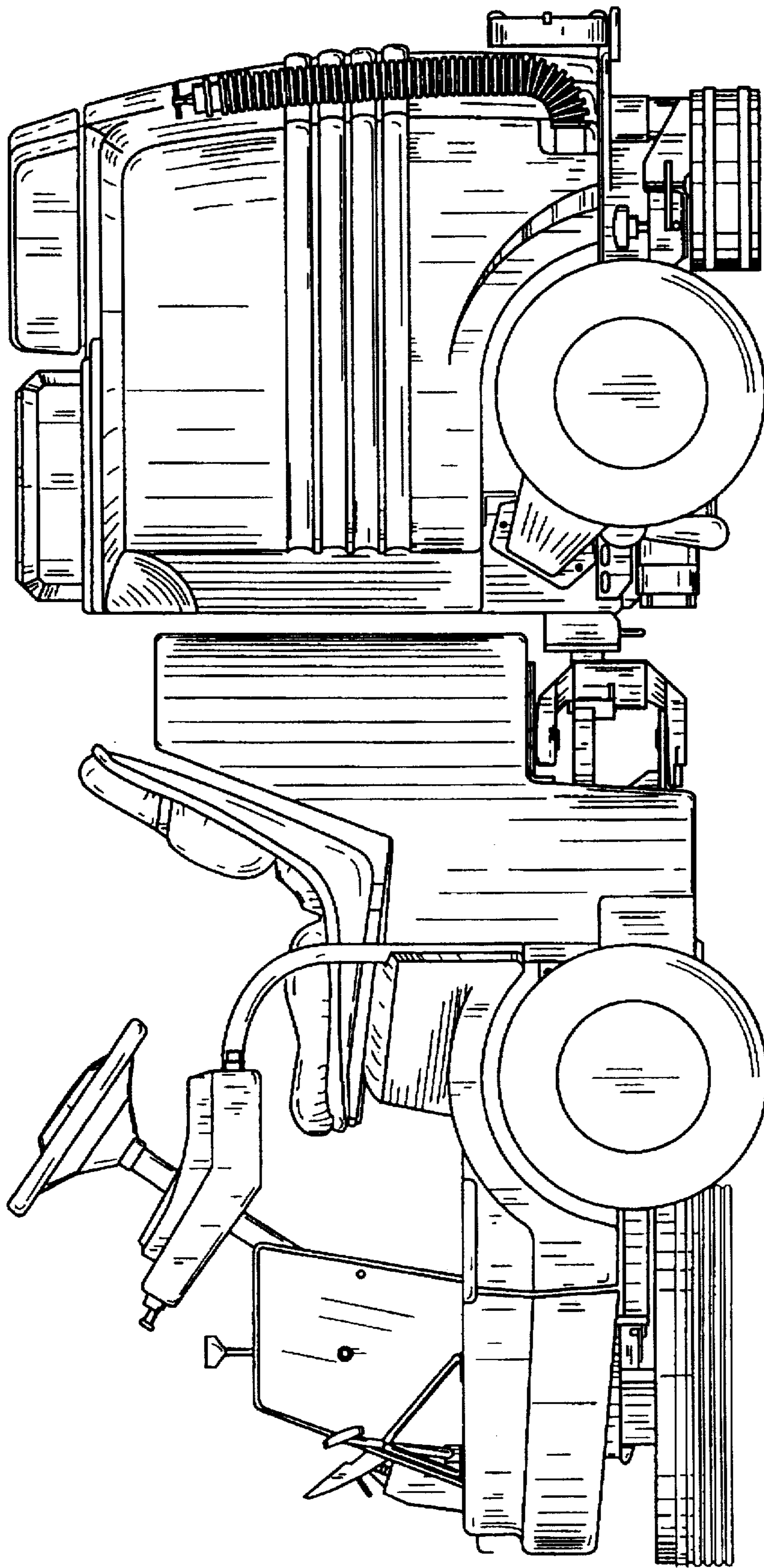


Fig. 2

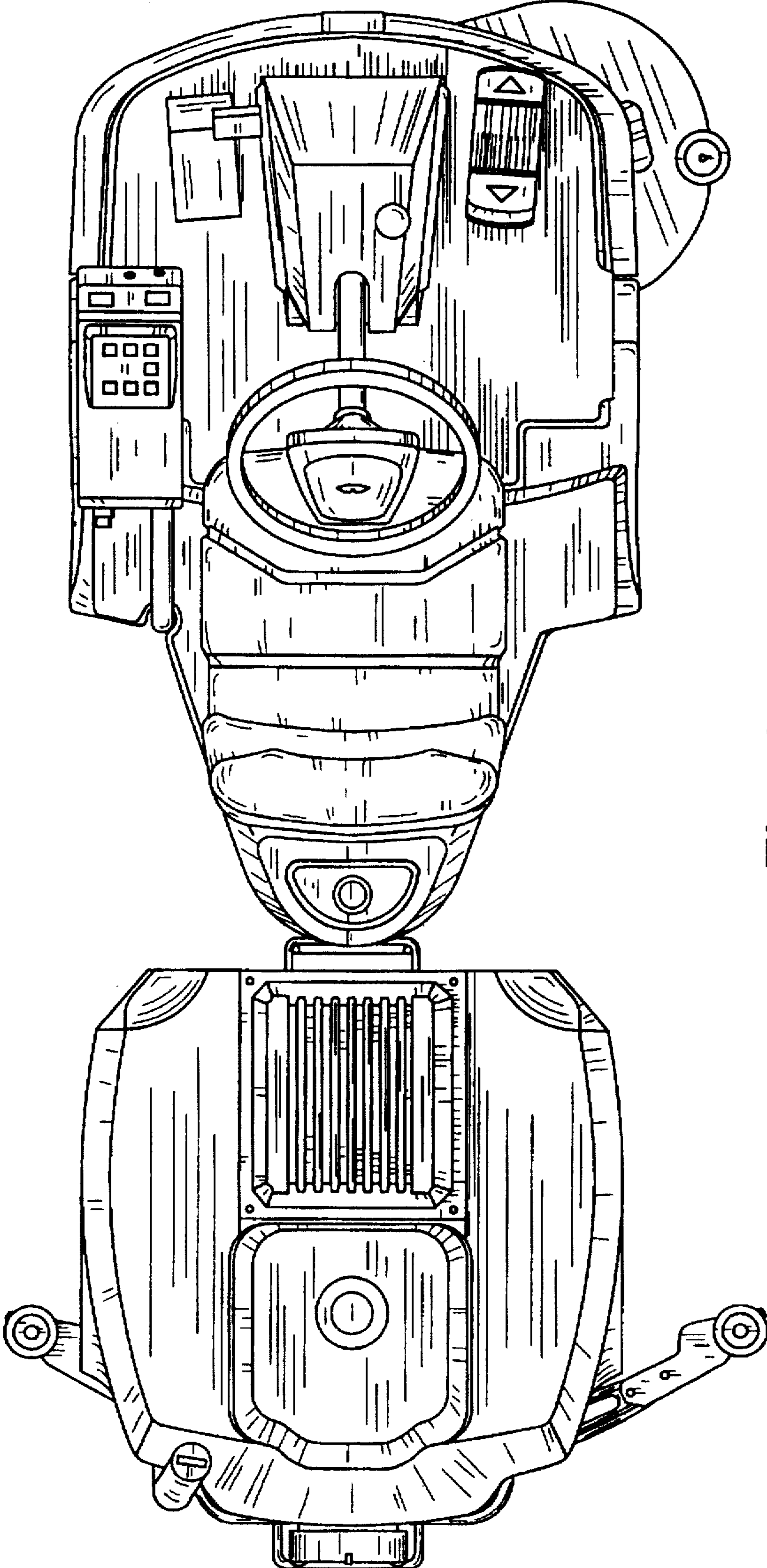


Fig. 3

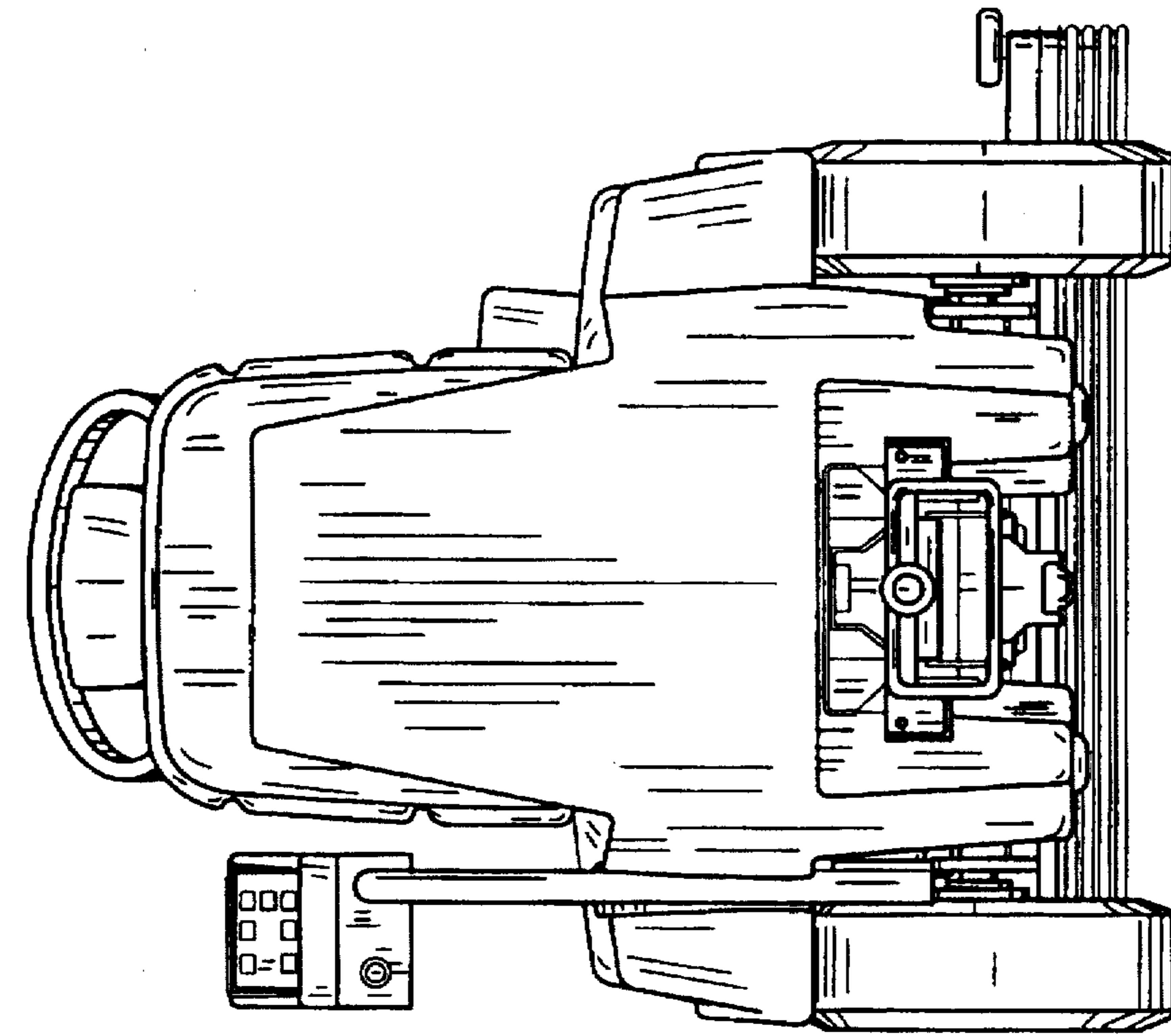


Fig. 4

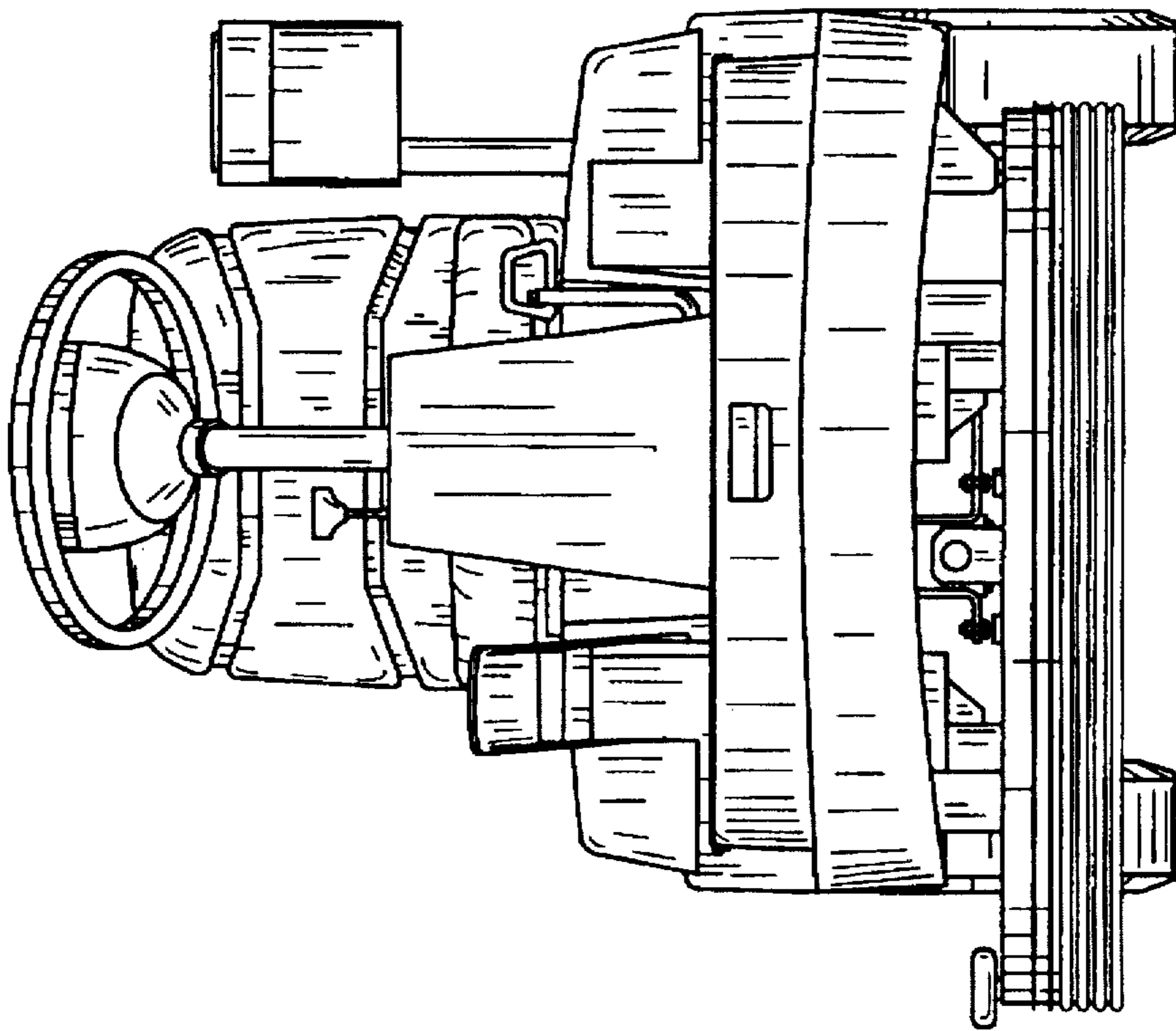


Fig. 5

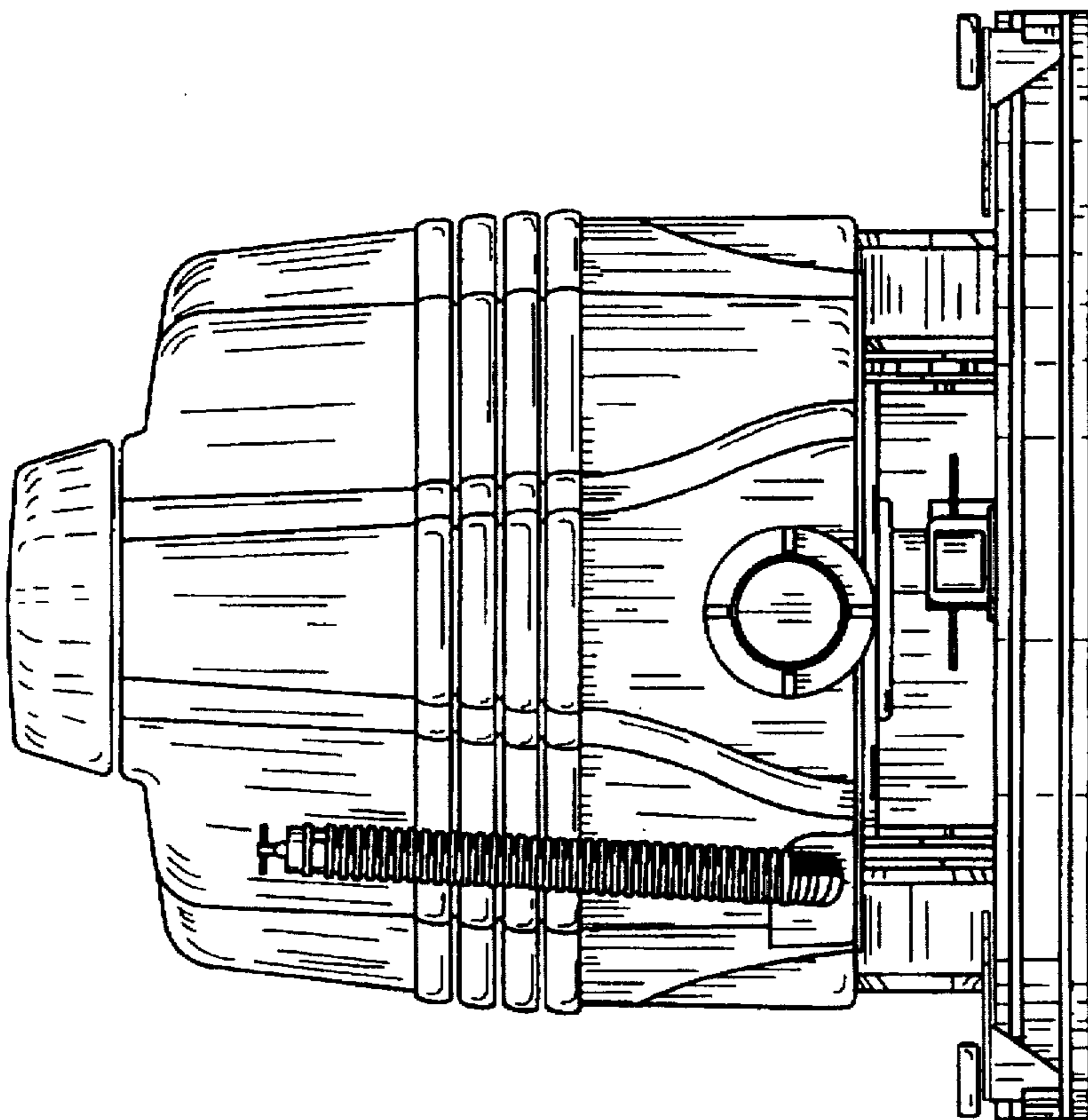


Fig. 6

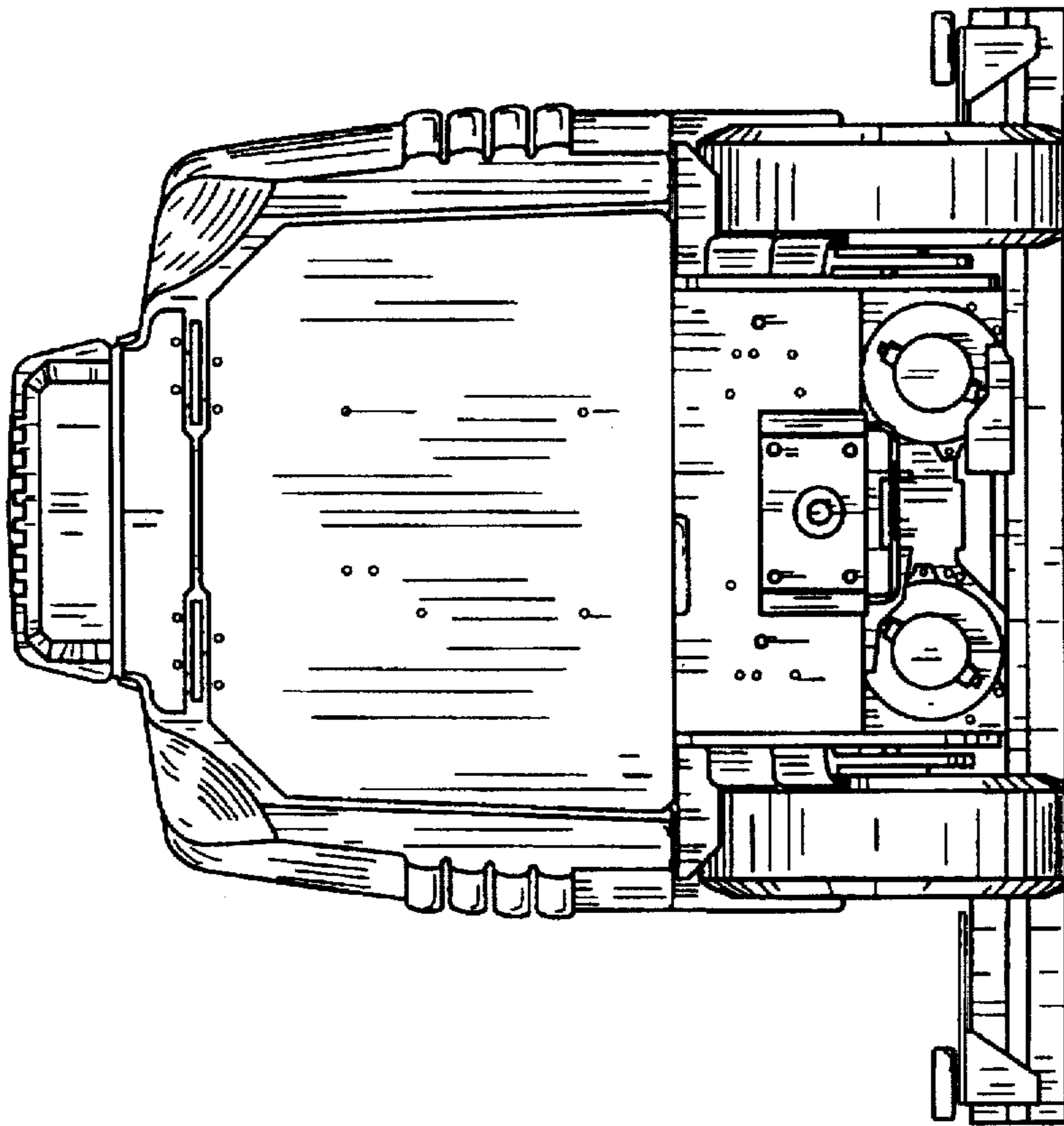


Fig. 7

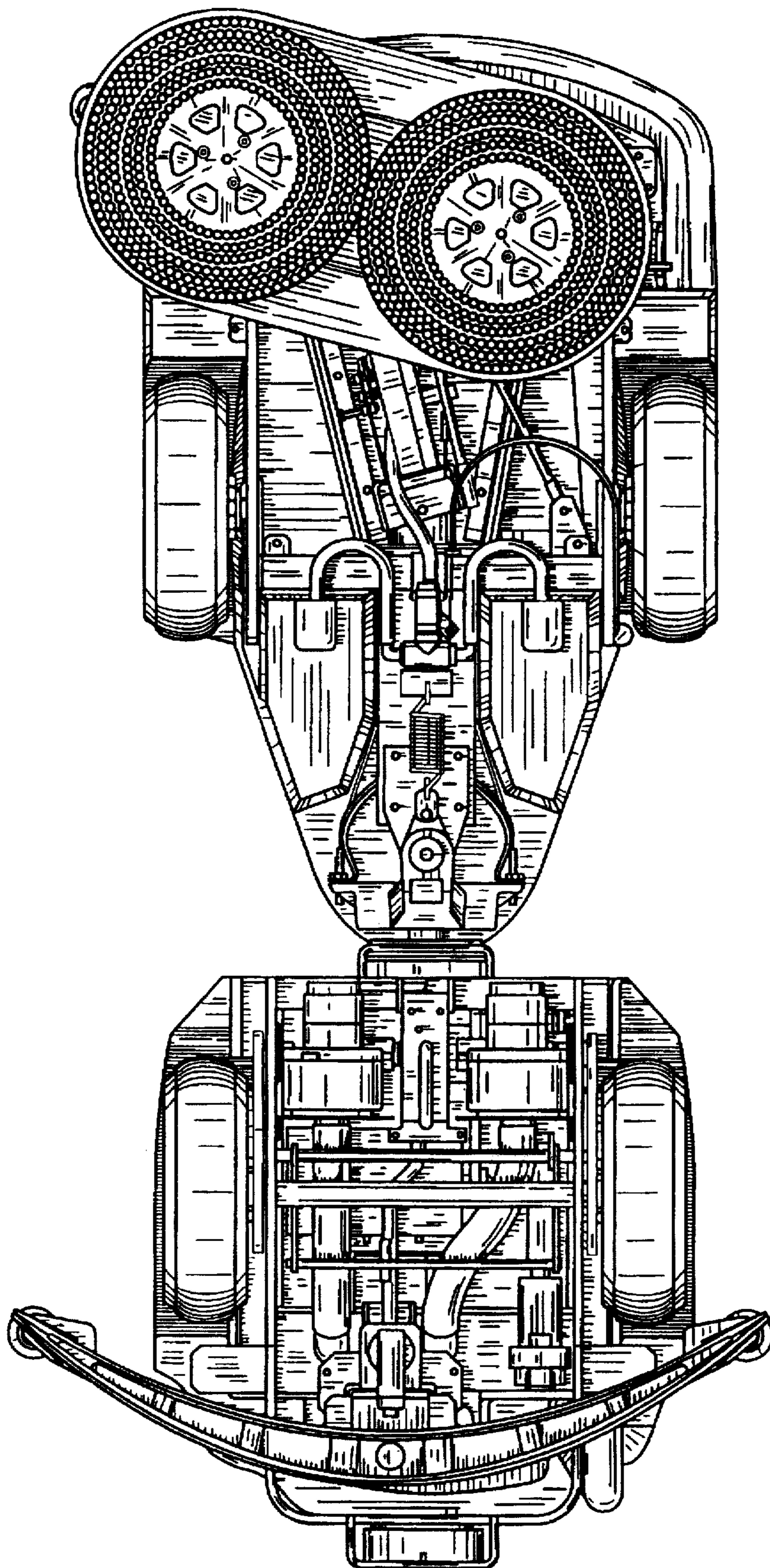


Fig. 8