



US00D391693S

United States Patent [19] Janiak

[11] Patent Number: **Des. 391,693**
[45] Date of Patent: ****Mar. 3, 1998**

[54] **DOG DISH**
[75] Inventor: **Keith S. Janiak**, New Britain, Conn.
[73] Assignees: **Bridgett Janiak; Mary Scanlon;**
Maureen Scanlon, New Britain, Conn.
[**] Term: **14 Years**
[21] Appl. No.: **55,817**
[22] Filed: **May 3, 1996**

[51] LOC (6) Cl. **30-03**
[52] U.S. Cl. **D30/129; D23/301**
[58] Field of Search 119/61, 77, 57.5;
D30/119, 121, 129-133; D23/295, 301,
313

[56] **References Cited**
U.S. PATENT DOCUMENTS

D. 101,534 10/1936 Karstadt D23/301
D. 191,697 11/1961 Chapman D23/301
D. 199,021 9/1964 Stairs, Jr. D23/301
D. 203,804 2/1966 Armstrong D23/301
D. 261,171 10/1981 Cuttriss D23/301

D. 352,576 11/1994 Trigoboff et al. D30/129
D. 353,229 12/1994 Trigoboff et al. D30/121
D. 355,056 1/1995 Burnet D30/132
3,757,738 9/1973 Hall 119/162
5,058,528 10/1991 Counsellor et al. 119/165
5,103,772 4/1992 Schmid 119/162

Primary Examiner—Cathy Anne MacCormac
Attorney, Agent, or Firm—McCormick, Paulding & Huber

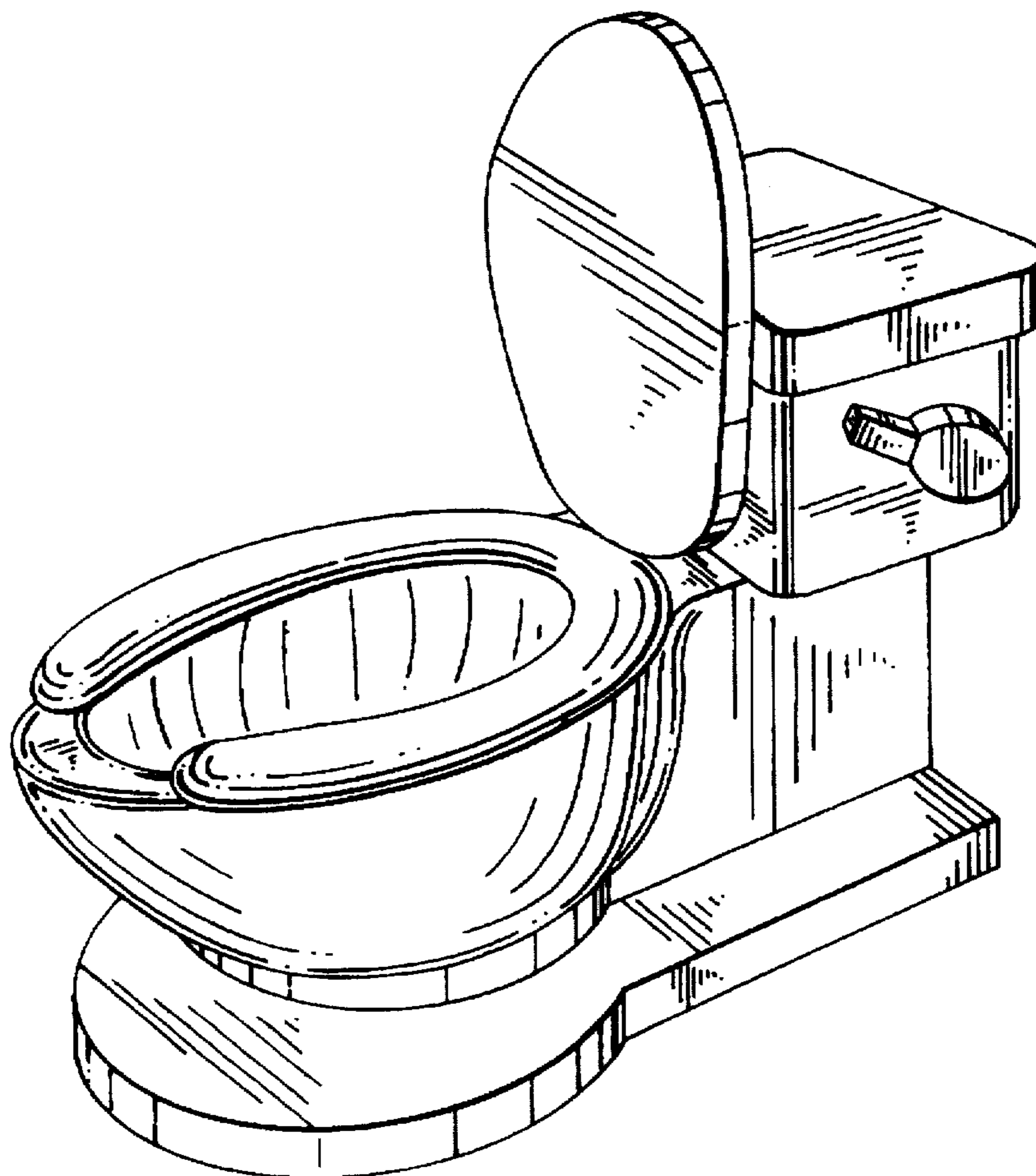
[57] **CLAIM**

The ornamental design for a dog dish, as shown.

DESCRIPTION

FIG. 1 is a perspective view taken from the front, top and left side of a dog dish showing my new design;
FIG. 2 is a top perspective view thereof;
FIG. 3 is a perspective view taken from the front, top and right side thereof;
FIG. 4 is a bottom plan view thereof;
FIG. 5 is a rear perspective view thereof;
FIG. 6 is a top plan view thereof;
FIG. 7 is a rear elevational view thereof; and,
FIG. 8 is a side elevational view thereof.

1 Claim, 3 Drawing Sheets



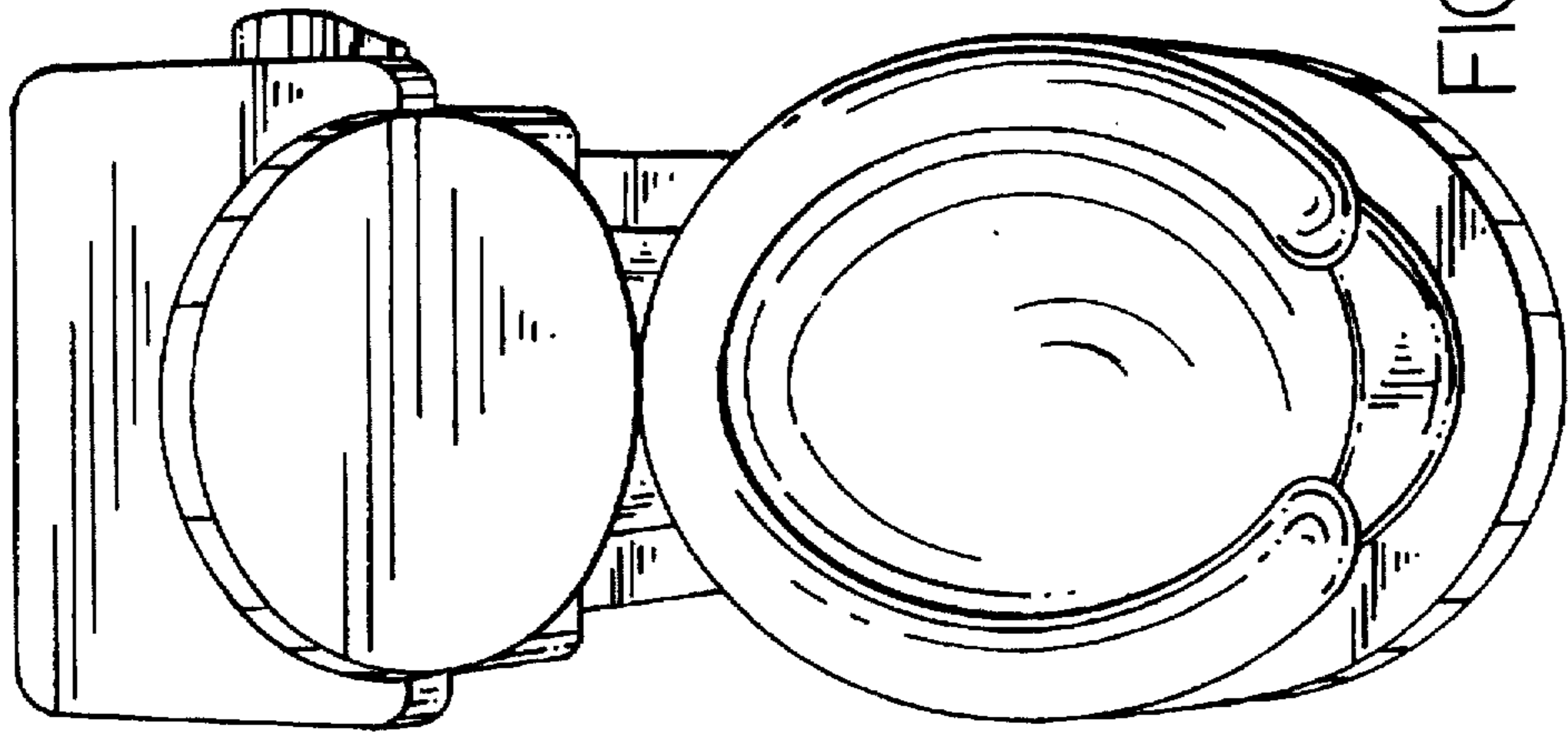


FIG. 2

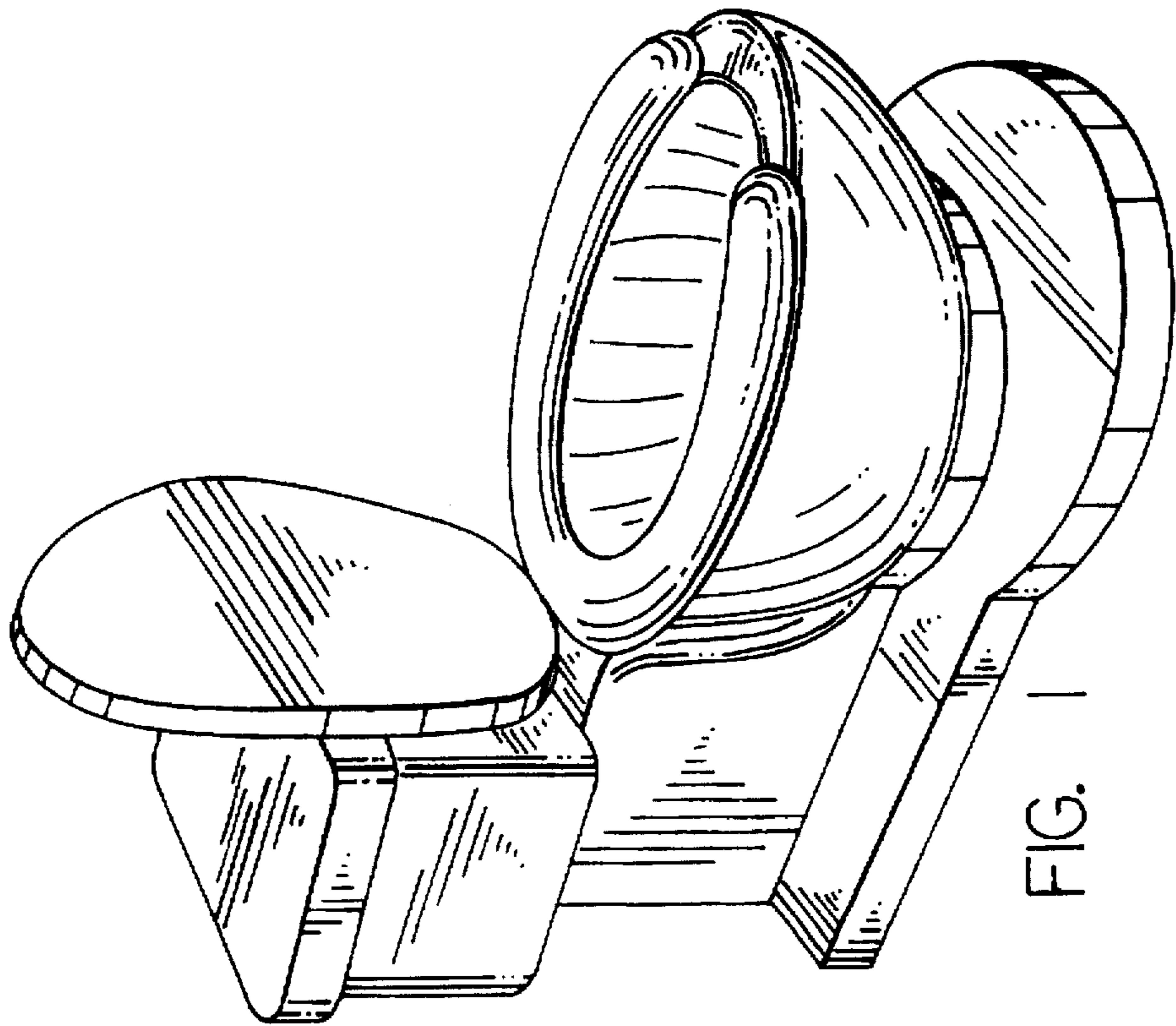


FIG. 1

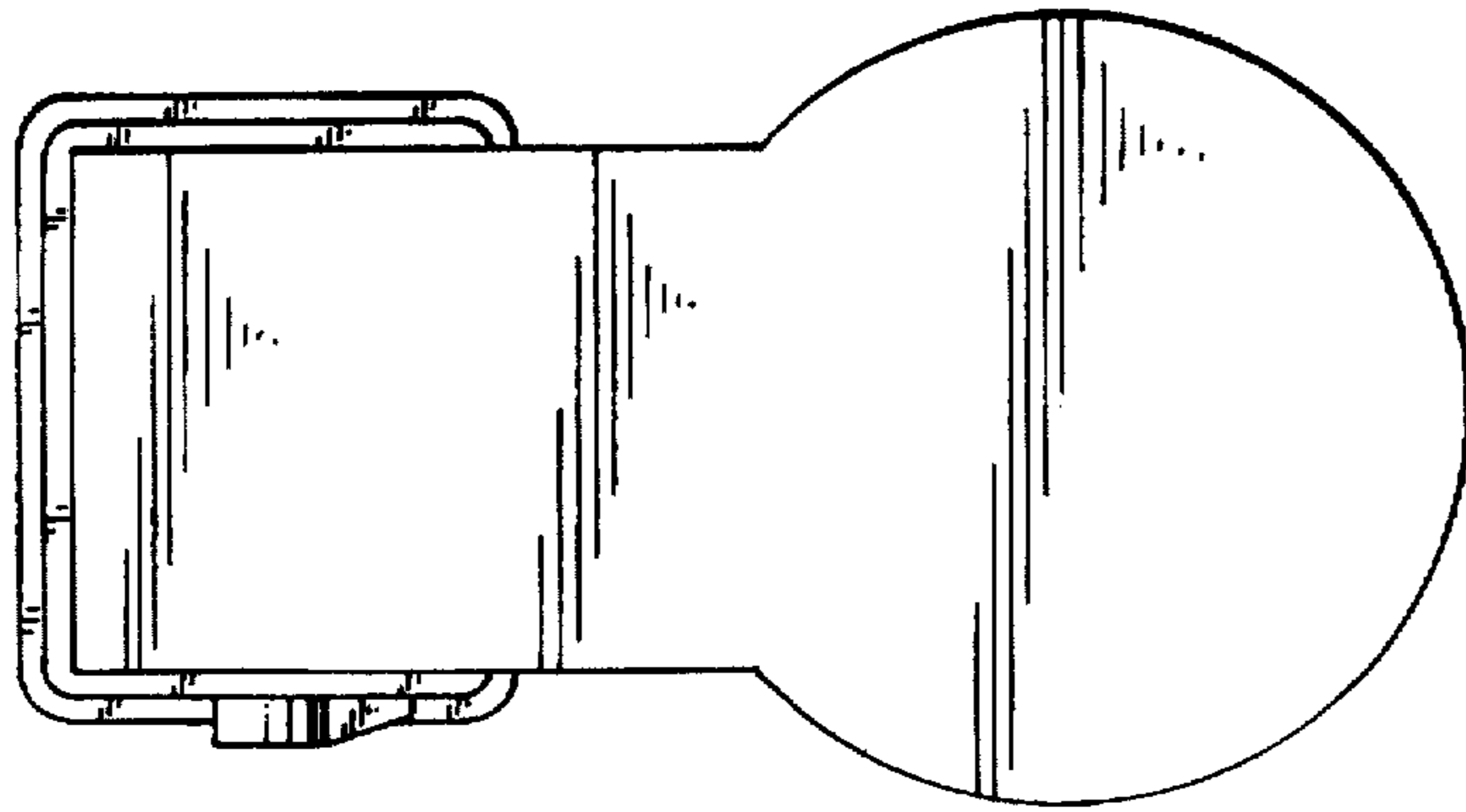


FIG. 4

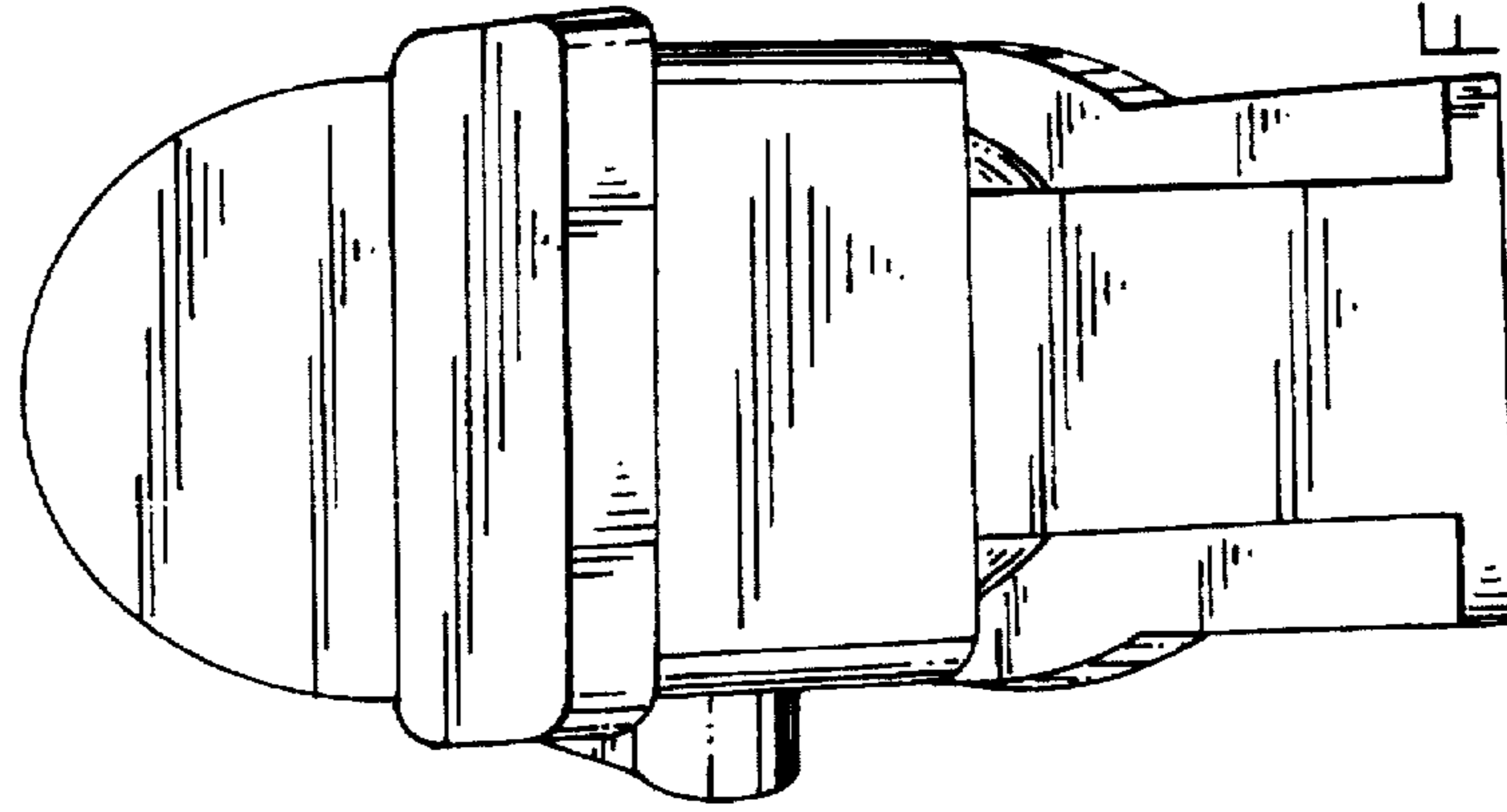


FIG. 5

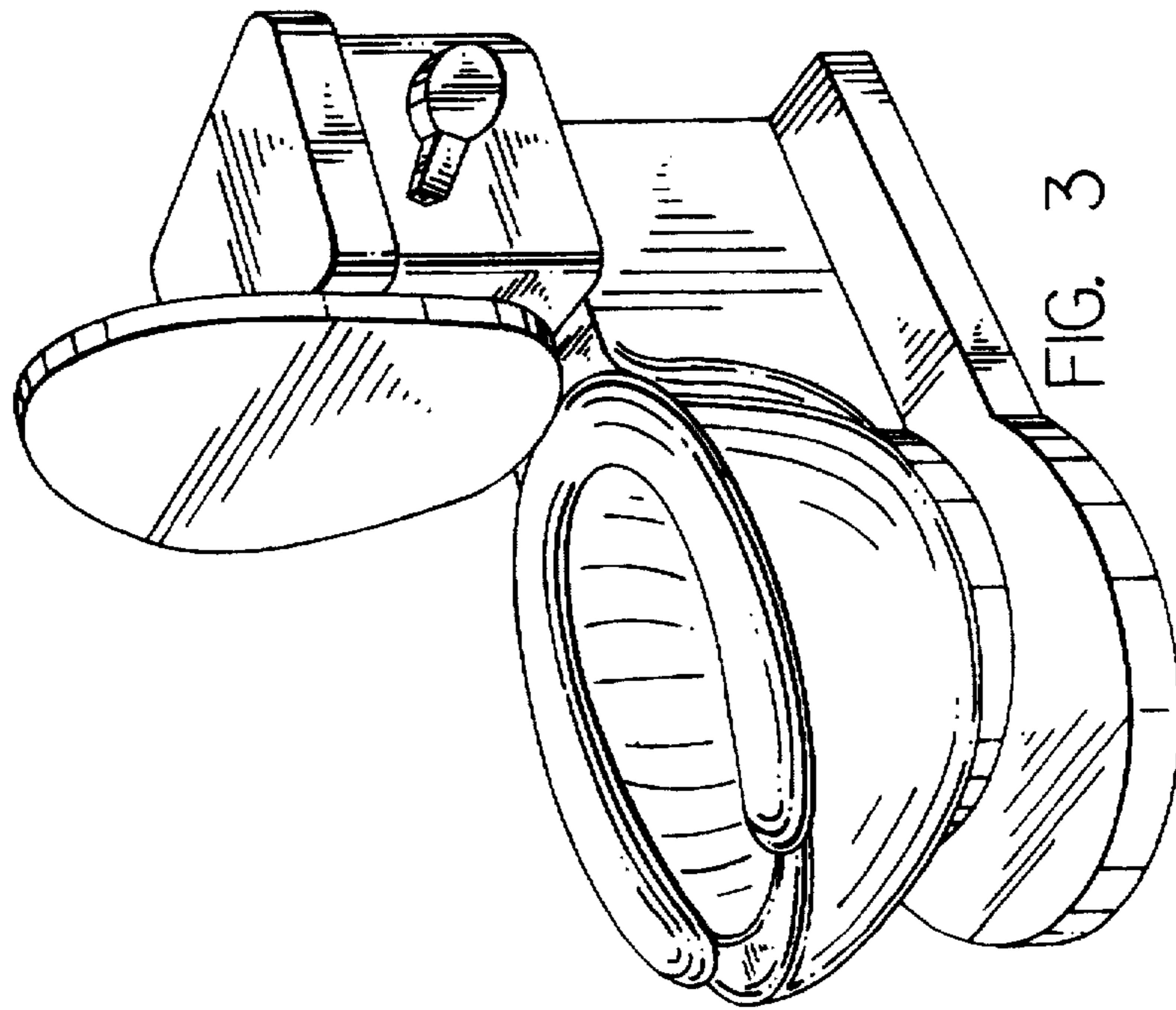


FIG. 3

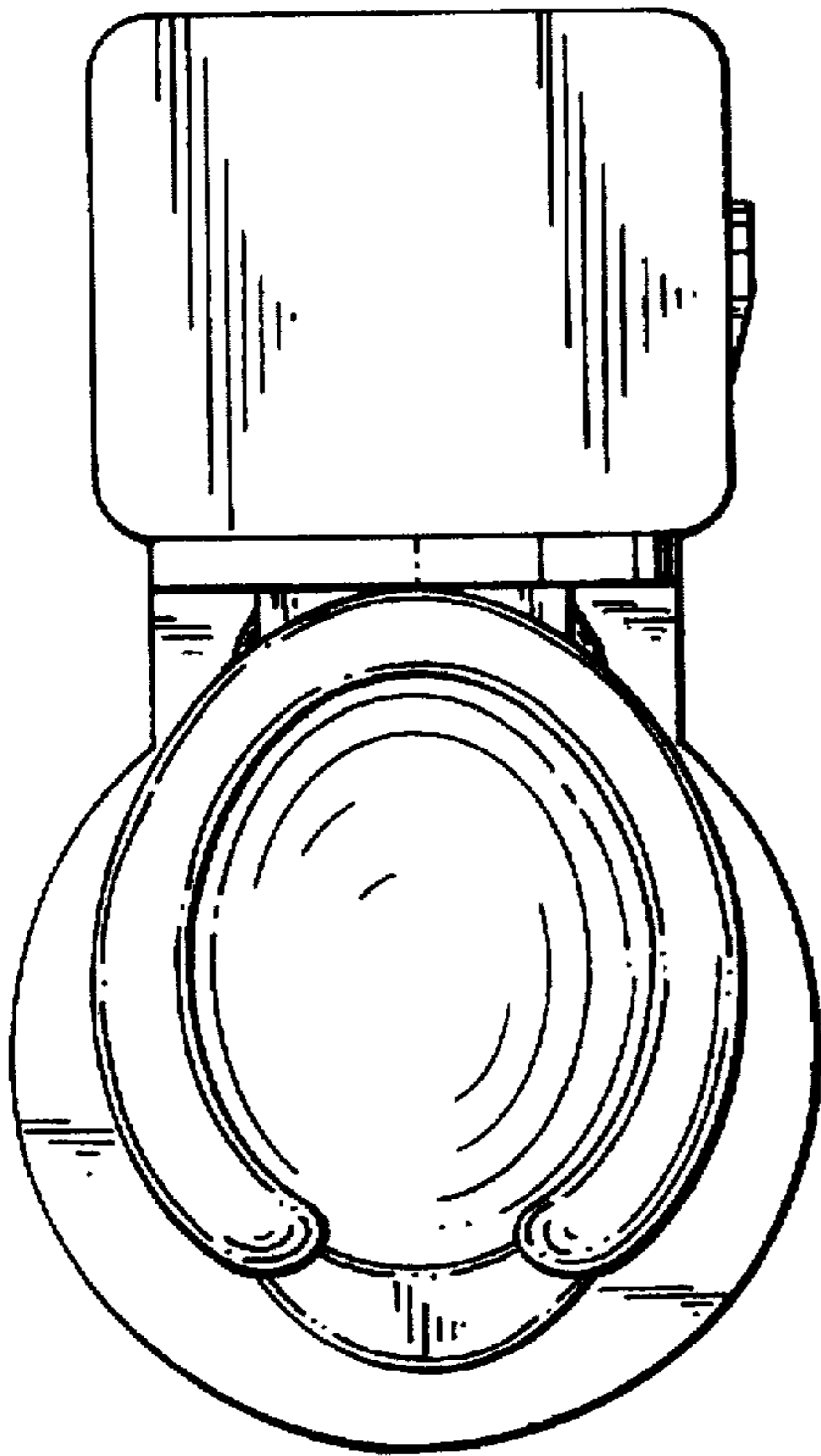


FIG. 6

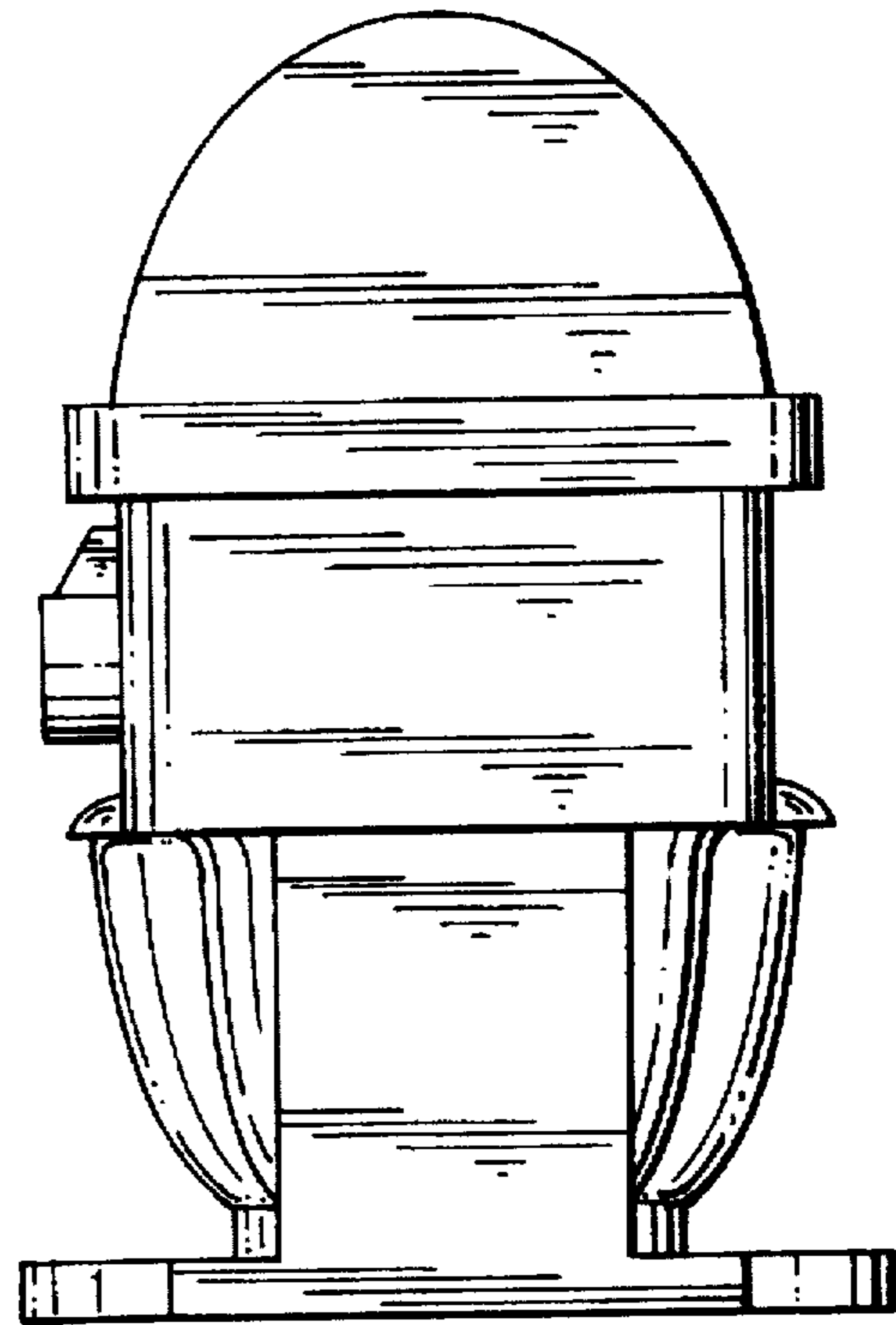


FIG. 7

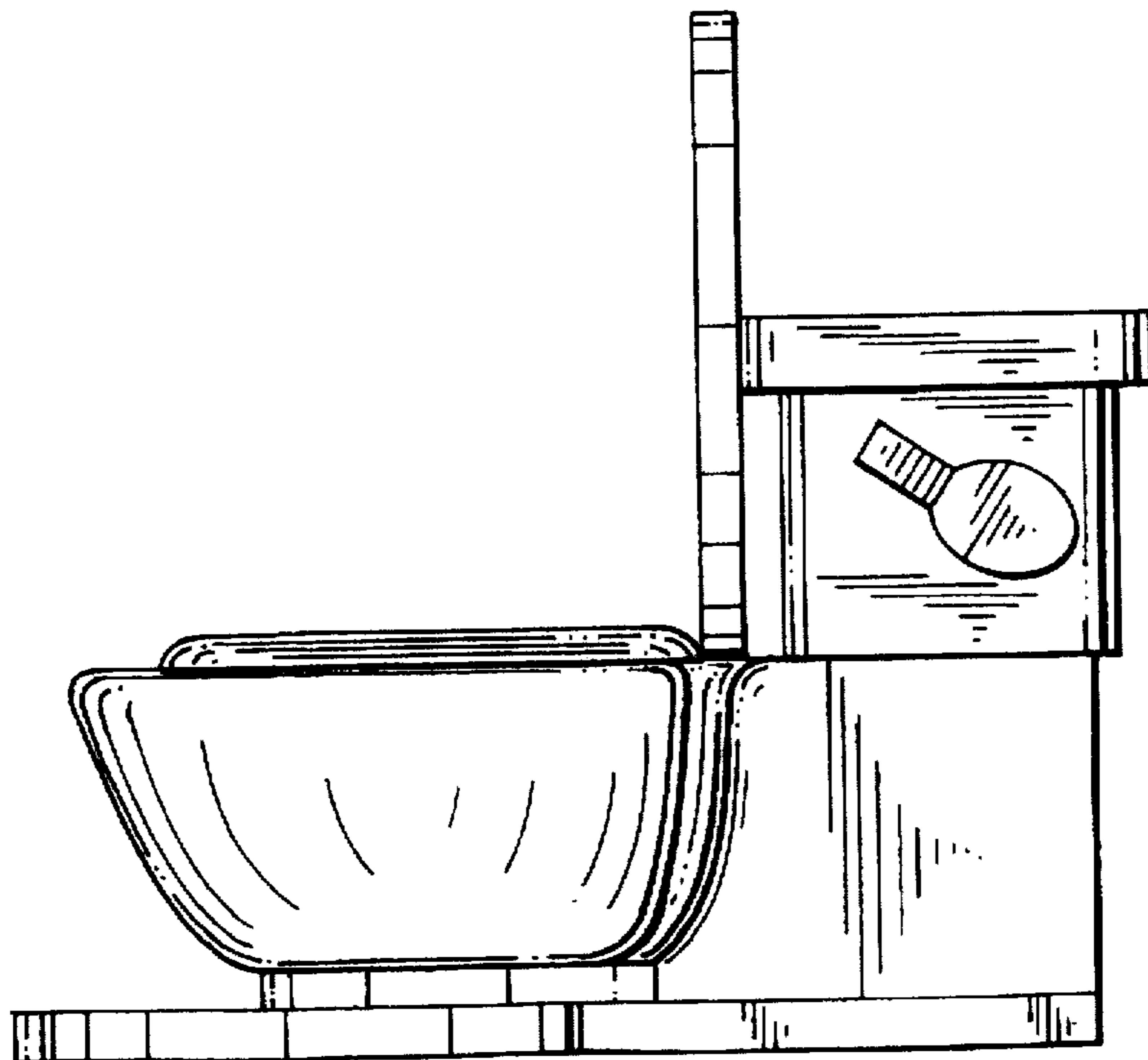


FIG. 8