



US00D391687S

United States Patent [19]
McMahon

[11] **Patent Number:** **Des. 391,687**
[45] **Date of Patent:** ****Mar. 3, 1998**

[54] **BED FOR PETS**

[75] **Inventor:** **Franklin D. McMahon**, New York, N.Y.

[73] **Assignee:** **Univier Corp.**, New York, N.Y.

[**] **Term:** **14 Years**

[21] **Appl. No.:** **64,220**

[22] **Filed:** **Dec. 24, 1996**

[51] **LOC (6) Cl.** **30-06**

[52] **U.S. Cl.** **D30/118; D19/92**

[58] **Field of Search** **D30/118, 161; D19/92; 211/126; 119/165, 169, 28.5, 482, 526; D6/331, 382, 596, 601**

[56] **References Cited**

U.S. PATENT DOCUMENTS

| | | | | |
|------------|---------|------------|-------|---------|
| D. 171,324 | 1/1954 | De Puy | | D19/92 |
| D. 198,495 | 6/1964 | Wilson | | D30/118 |
| D. 288,636 | 3/1987 | McLaren | | D30/118 |
| D. 289,061 | 3/1987 | Klodt | | D19/92 |
| D. 289,572 | 4/1987 | Wanat | | D30/118 |
| D. 328,506 | 8/1992 | McMahon | | D30/118 |
| D. 348,958 | 7/1994 | McLellan | | D30/118 |
| D. 376,875 | 12/1996 | Glickstein | | D30/161 |

| | | | | |
|-----------|---------|-------------|-------|----------|
| 3,173,398 | 3/1965 | Raymond | | 119/28.5 |
| 4,996,944 | 3/1991 | Zook et al. | | 119/28.5 |
| 4,998,504 | 3/1991 | Ball | | 119/169 |
| 5,265,558 | 11/1993 | Sshonrock | | 119/28.5 |
| 5,359,960 | 11/1994 | Tananton | | 119/165 |

OTHER PUBLICATIONS

Confectioners' Tools and Machinery by Thomas Mills & Brother, Inc.; p. 210; Brass & Tin Counter Pans; 1924.

Primary Examiner—Cathy Anne MacCormac
Attorney, Agent, or Firm—Fitzpatrick, Cella, Harper & Scinto

[57] **CLAIM**

The ornamental design for a bed for pets, as shown and described.

DESCRIPTION

FIG. 1 is a perspective view of a bed for pets according to my design;
FIG. 2 is a front elevational view thereof;
FIG. 3 is a rear elevational view thereof;
FIG. 4 is a left side elevational view thereof, the right side elevational view being a mirror image thereof;
FIG. 5 is a top plan view thereof; and,
FIG. 6 is a bottom plan view thereof.

1 Claim, 2 Drawing Sheets

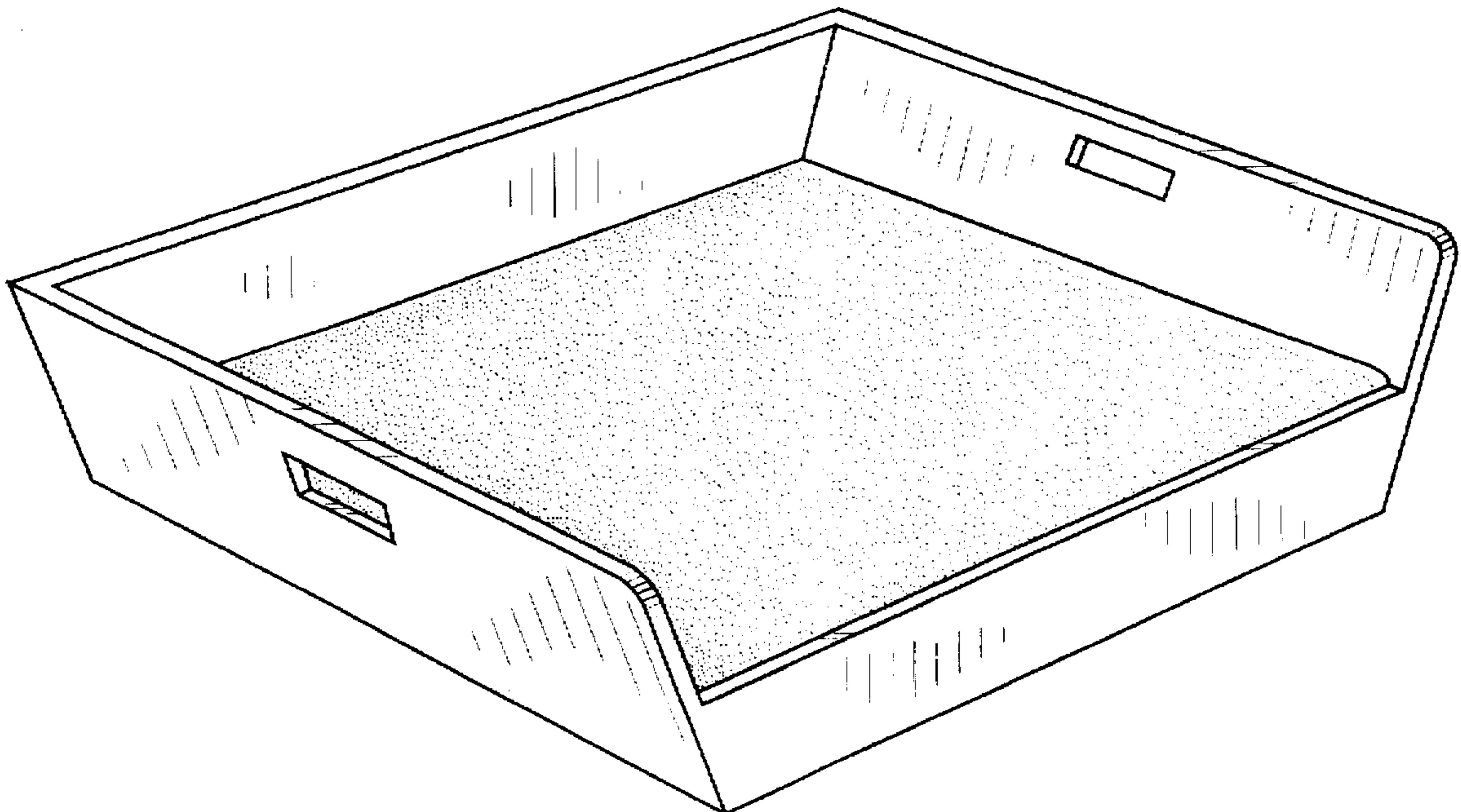


FIG. 1

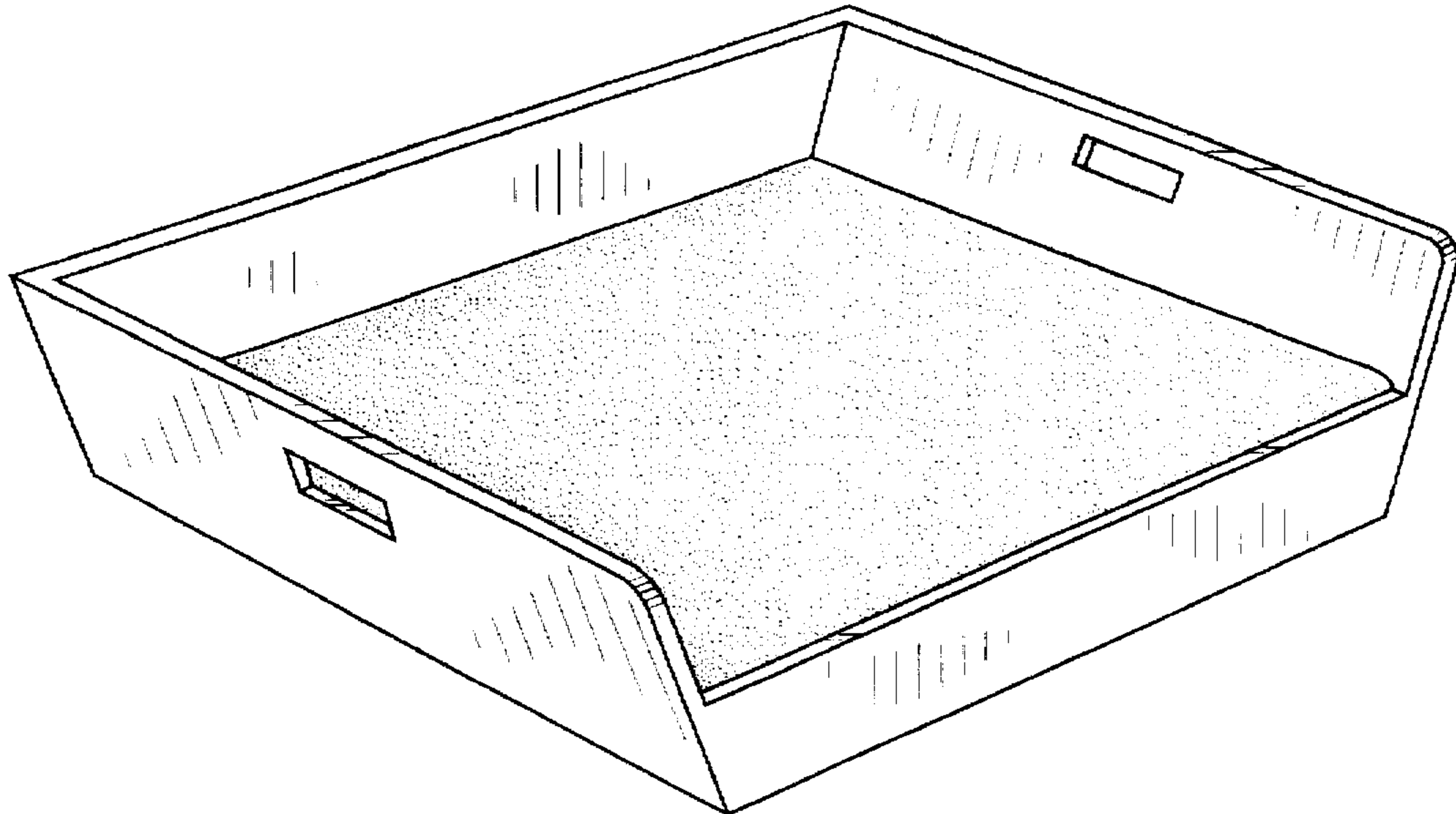


FIG. 2

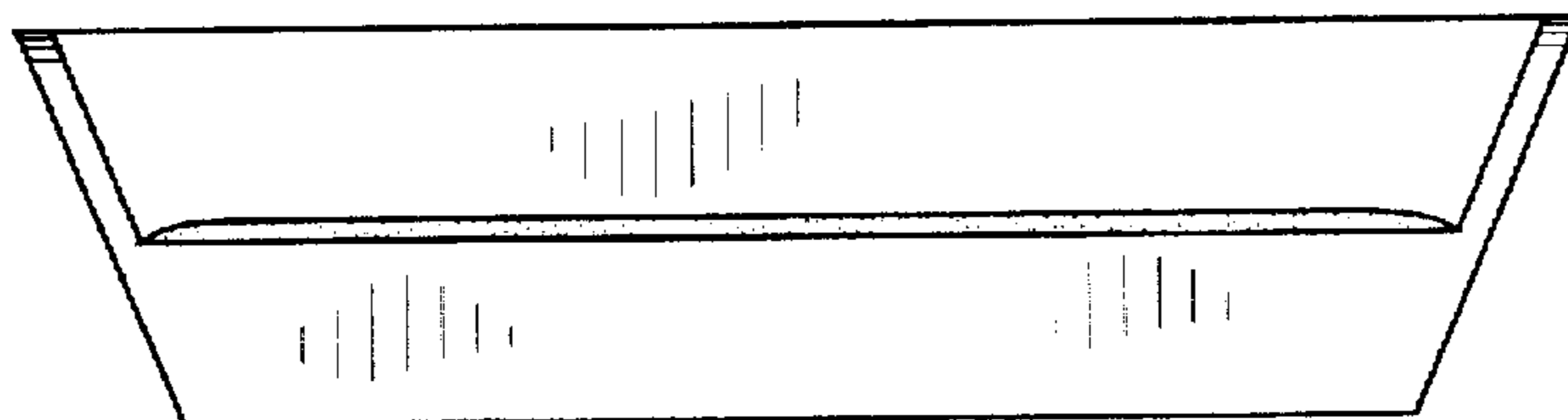


FIG. 3

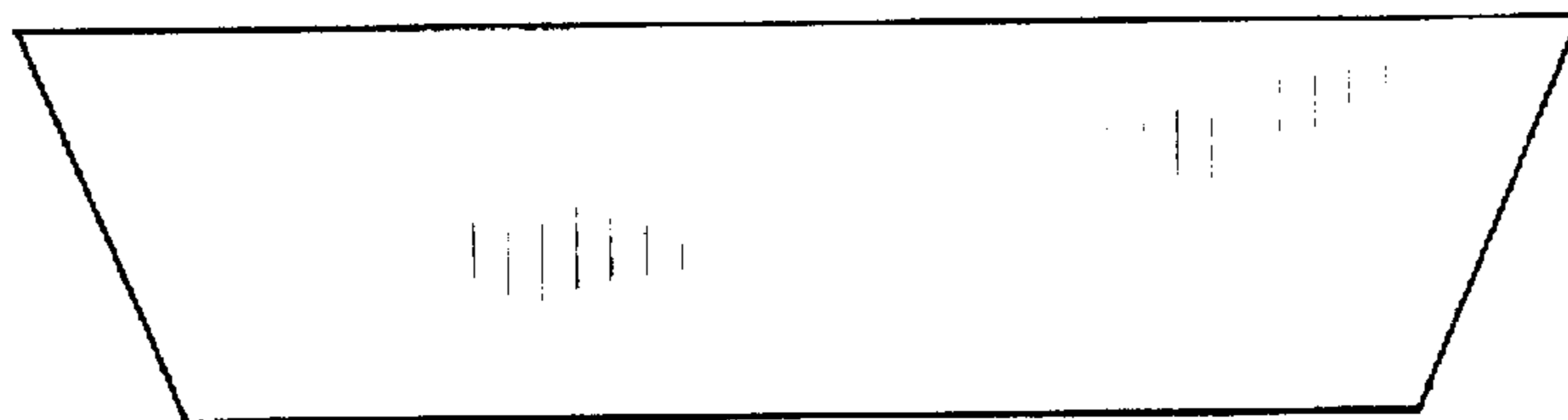


FIG. 4

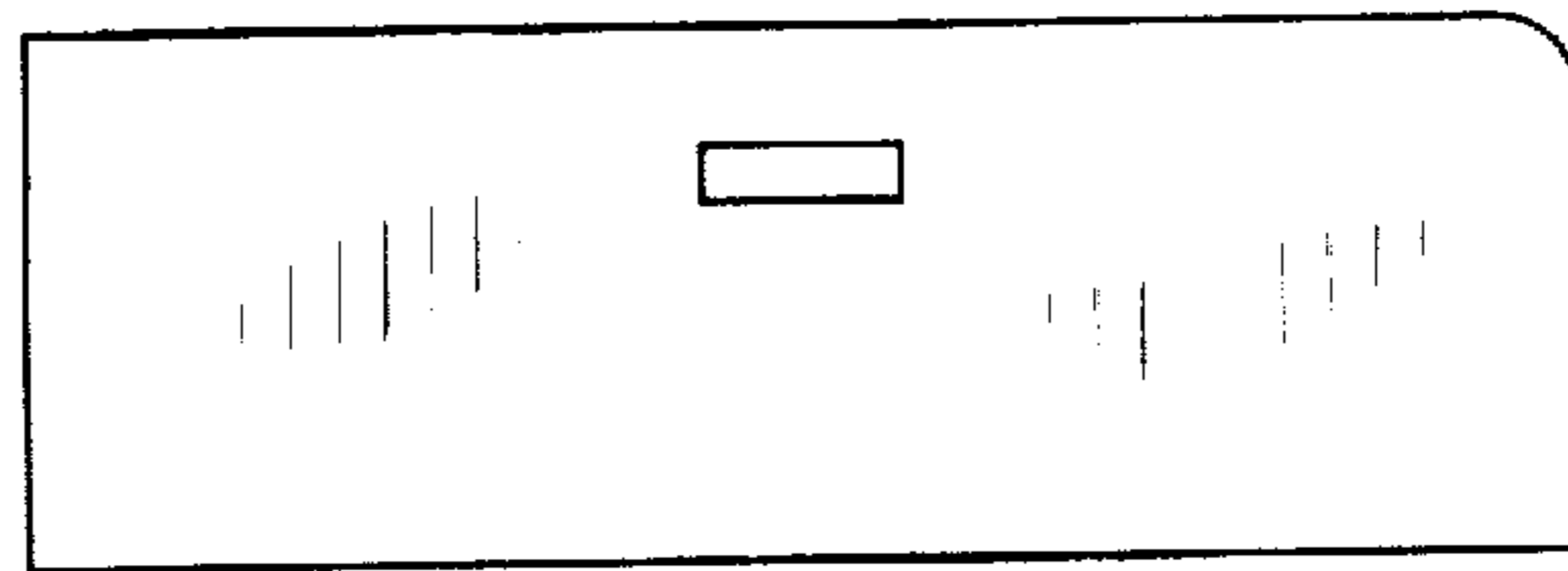


FIG. 5

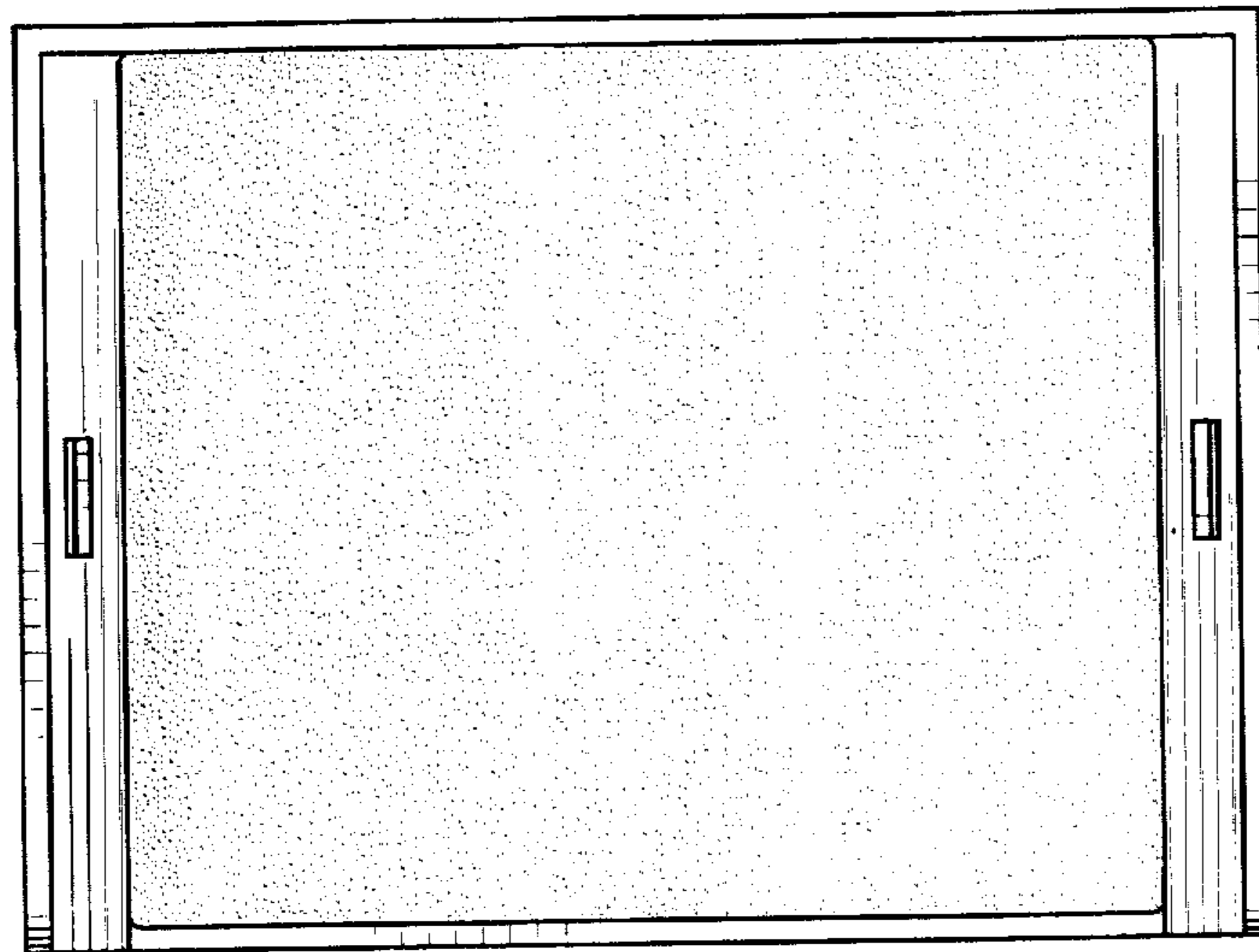


FIG. 6

