



US00D391685S

**United States Patent** [19]  
**Kinniburgh**

[11] **Patent Number:** **Des. 391,685**  
[45] **Date of Patent:** **\*\*Mar. 3, 1998**

[54] **SAFETY HARNESS FOR HUNTERS**

[76] **Inventor:** **Brent L. Kinniburgh**, 213 Woodland Hills Dr., Oxford, Miss. 38655

[\*\*] **Term:** **14 Years**

[21] **Appl. No.:** **44,450**

[22] **Filed:** **Sep. 25, 1995**

[51] **LOC (6) Cl.** ..... **29-02**

[52] **U.S. Cl.** ..... **D29/124**

[58] **Field of Search** ..... D29/124; D30/134, D30/139; 182/3, 7, 18, 232, 237, 236; D24/164

[56] **References Cited**

**U.S. PATENT DOCUMENTS**

D. 178,879	10/1956	Gischwind	.....	D29/124
2,680,593	6/1954	McIntyre	.....	182/7
4,687,074	8/1987	Green	.....	182/3
4,877,110	10/1989	Wolner	.....	182/232

**FOREIGN PATENT DOCUMENTS**

4212381	8/1992	Japan	.....	182/3
---------	--------	-------	-------	-------

*Primary Examiner*—Kay H. Chin

*Attorney, Agent, or Firm*—Harold H. Dutton, Jr.

[57] **CLAIM**

The ornamental design for a safety harness for hunters, as shown and described.

**DESCRIPTION**

FIG. 1 is a perspective view of a safety harness for hunters showing my new design, a portion of the cable thereof being broken away to indicate indeterminate length;

FIG. 2 is a right side elevational view of the tree encircling portion thereof;

FIG. 3 is a left side elevational view of FIG. 2;

FIG. 4 is a front elevational view of FIG. 2;

FIG. 5 is a rear elevational view of FIG. 2;

FIG. 6 is a top plan view of FIG. 2;

FIG. 7 is a bottom plan view of FIG. 2;

FIG. 8 is a left side elevational view of the body encircling portion thereof;

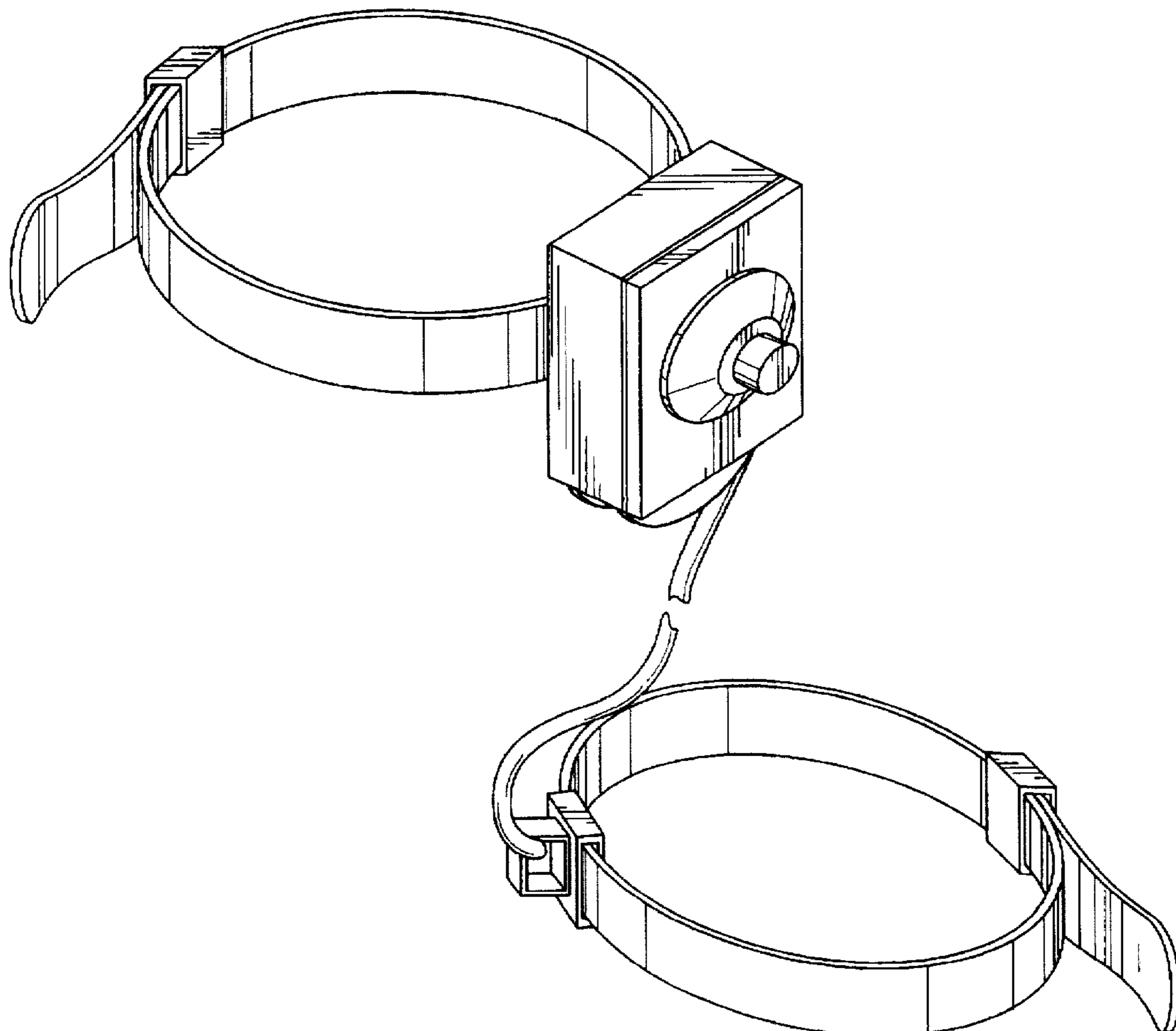
FIG. 9 is a right side elevational view of FIG. 8;

FIG. 10 is a front elevational view of FIG. 8;

FIG. 11 is a rear elevational view of FIG. 8; and,

FIG. 12 is a top plan view of FIG. 8.

**1 Claim, 5 Drawing Sheets**



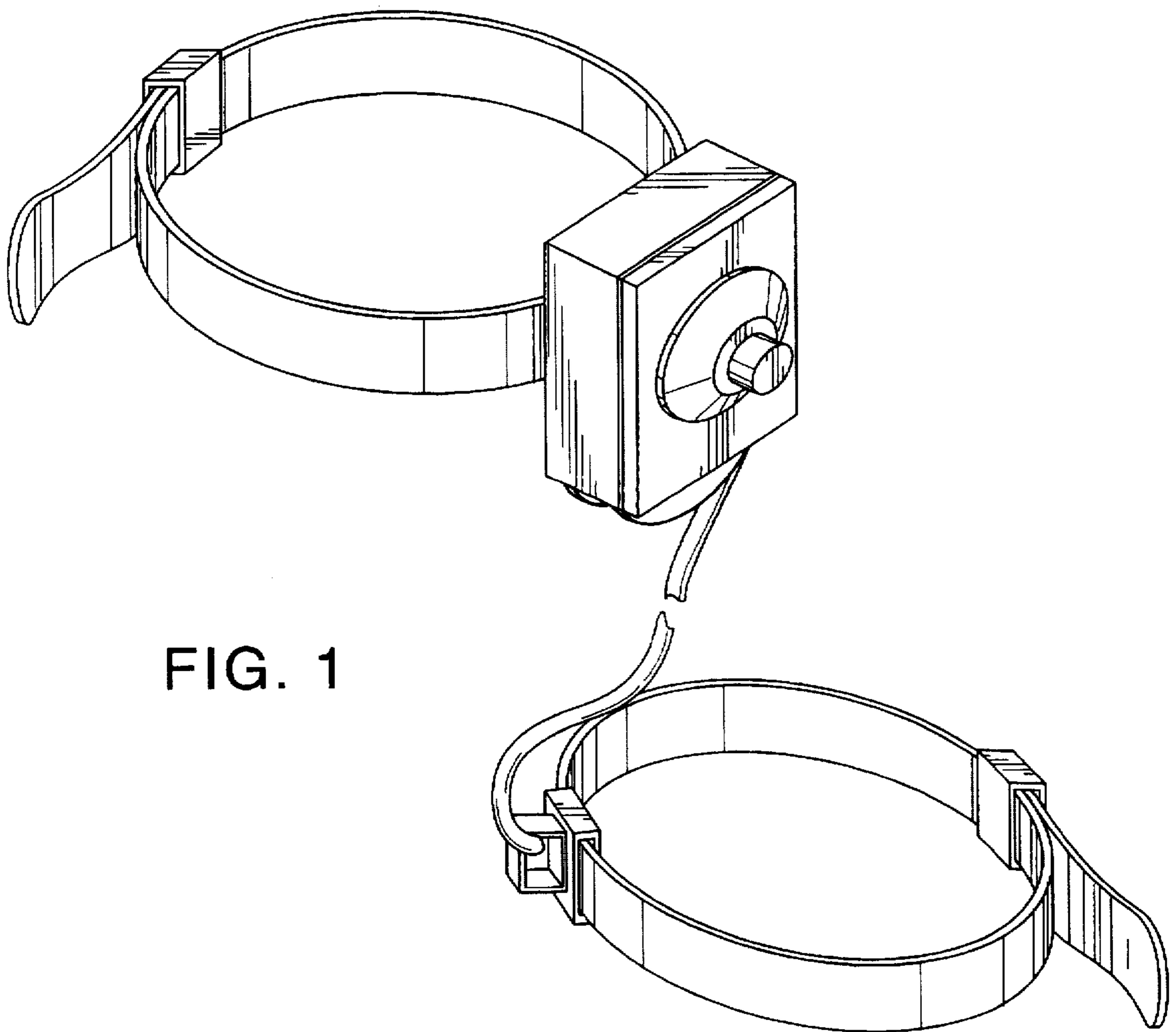


FIG. 1

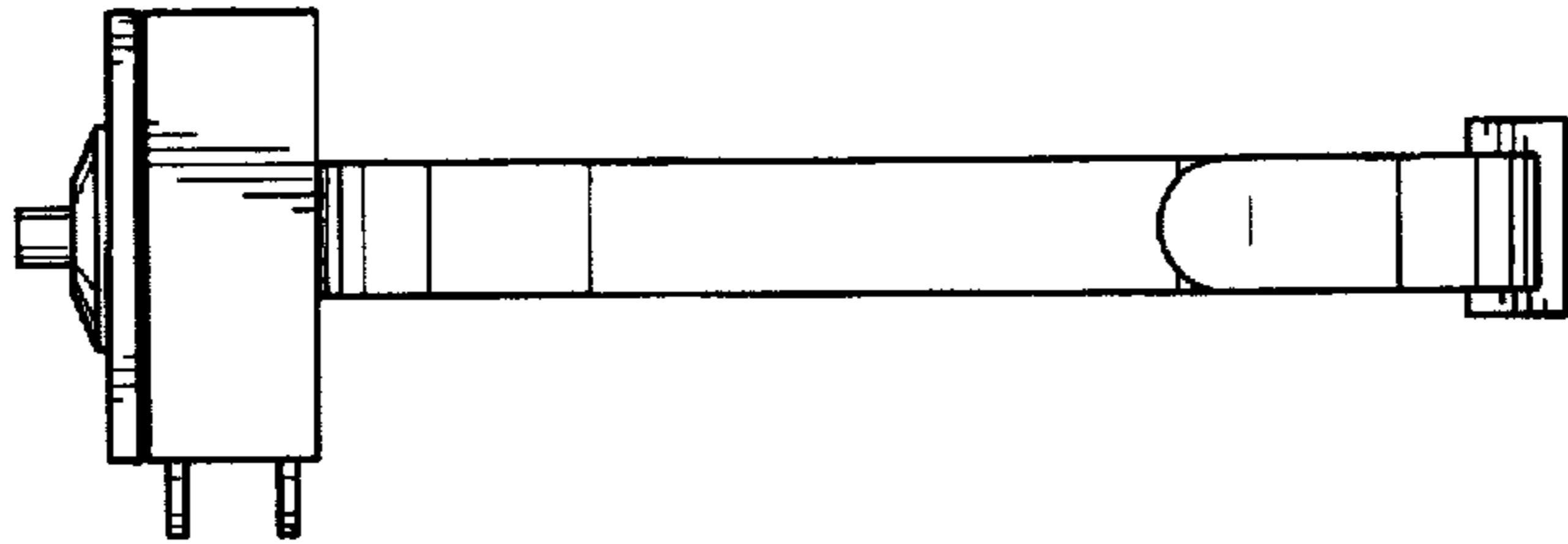


FIG. 2

FIG. 3

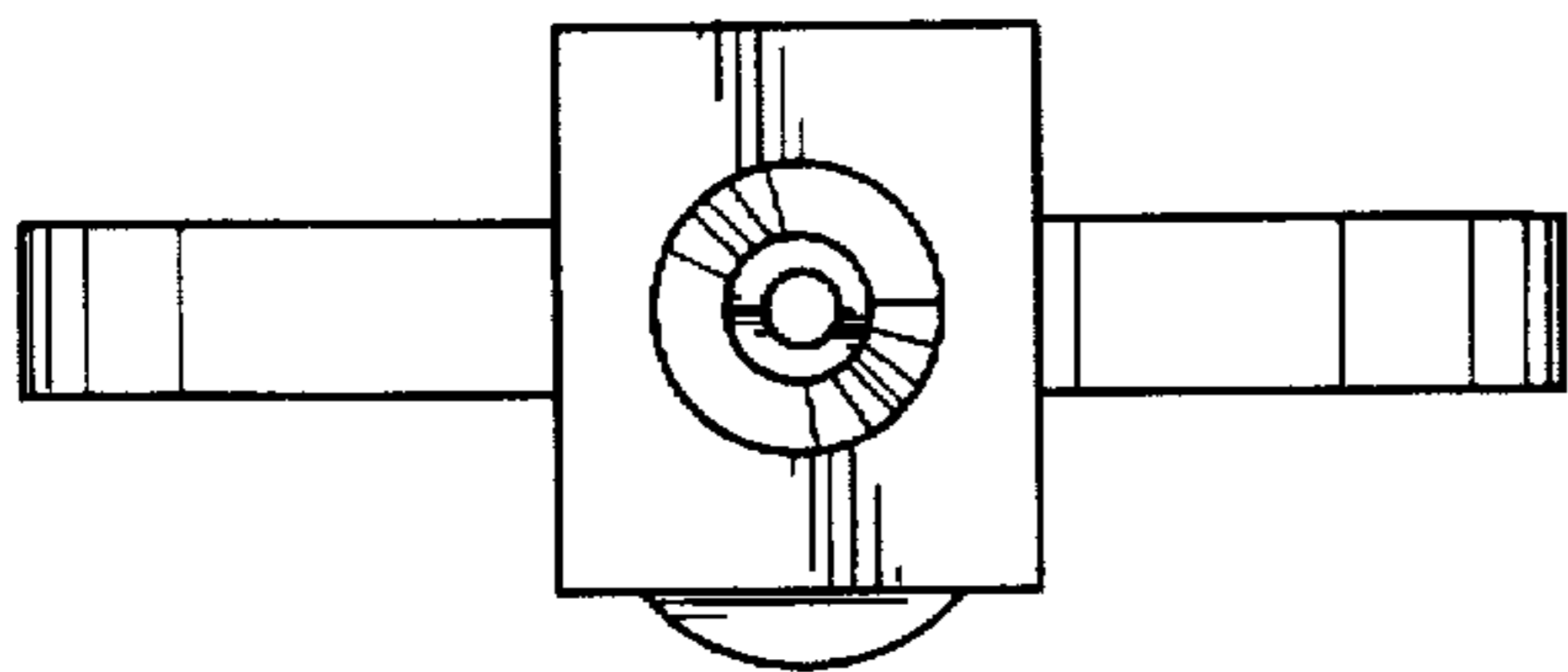
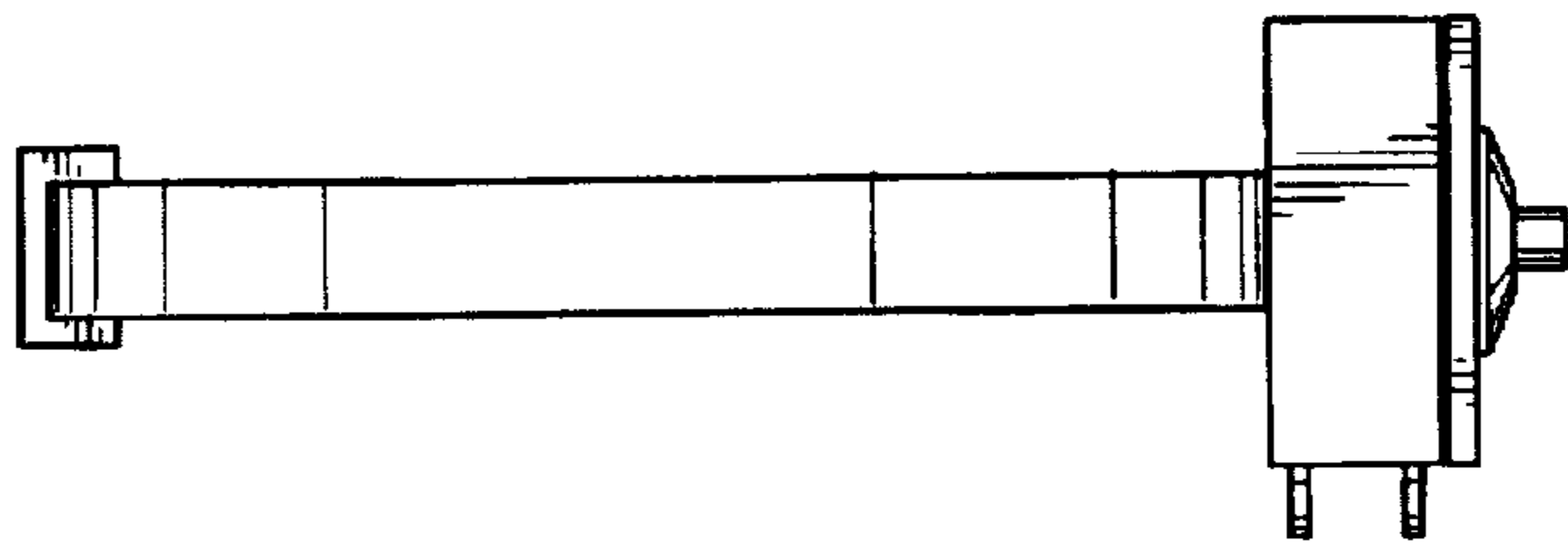
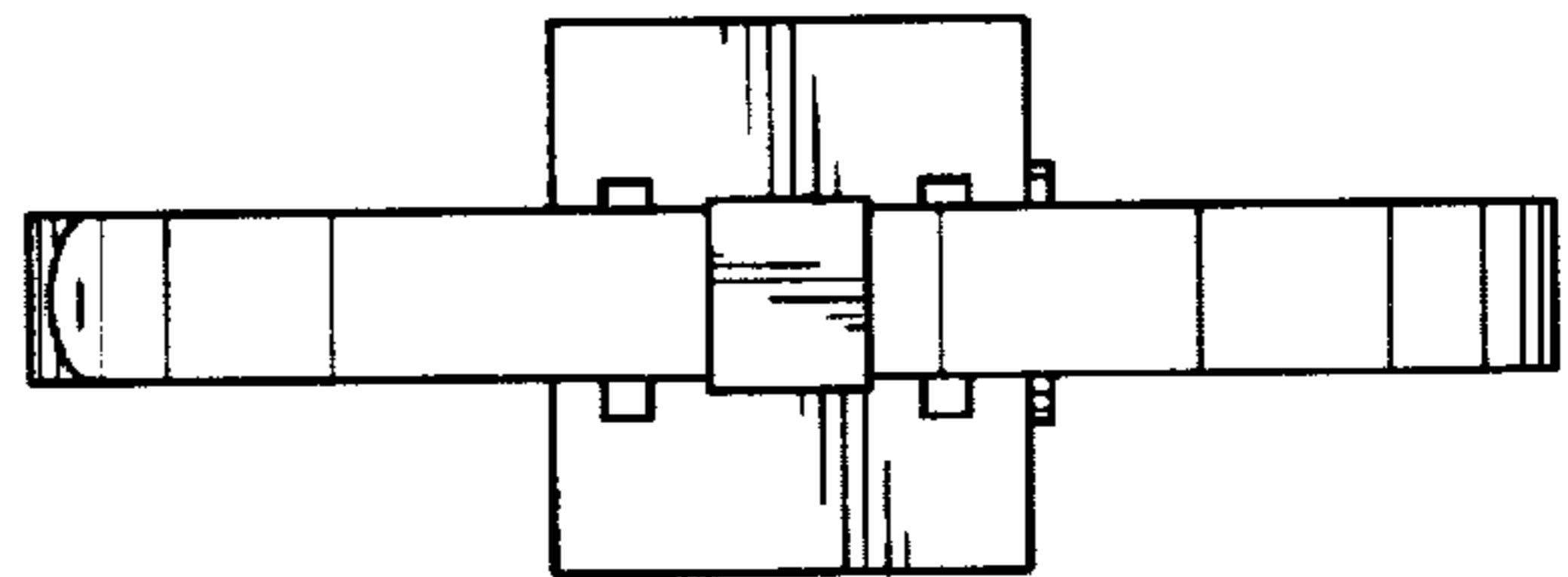


FIG. 4

FIG. 5



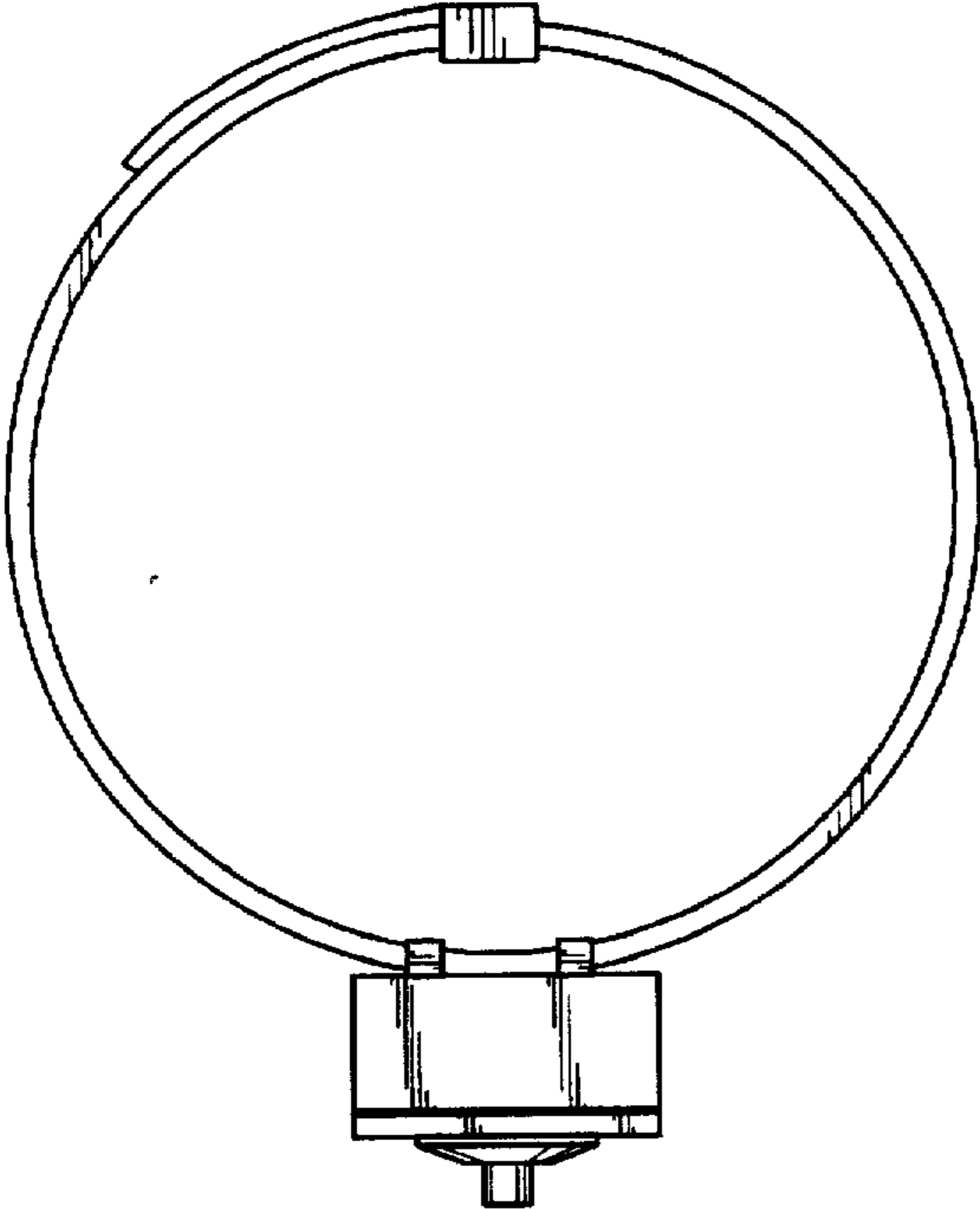
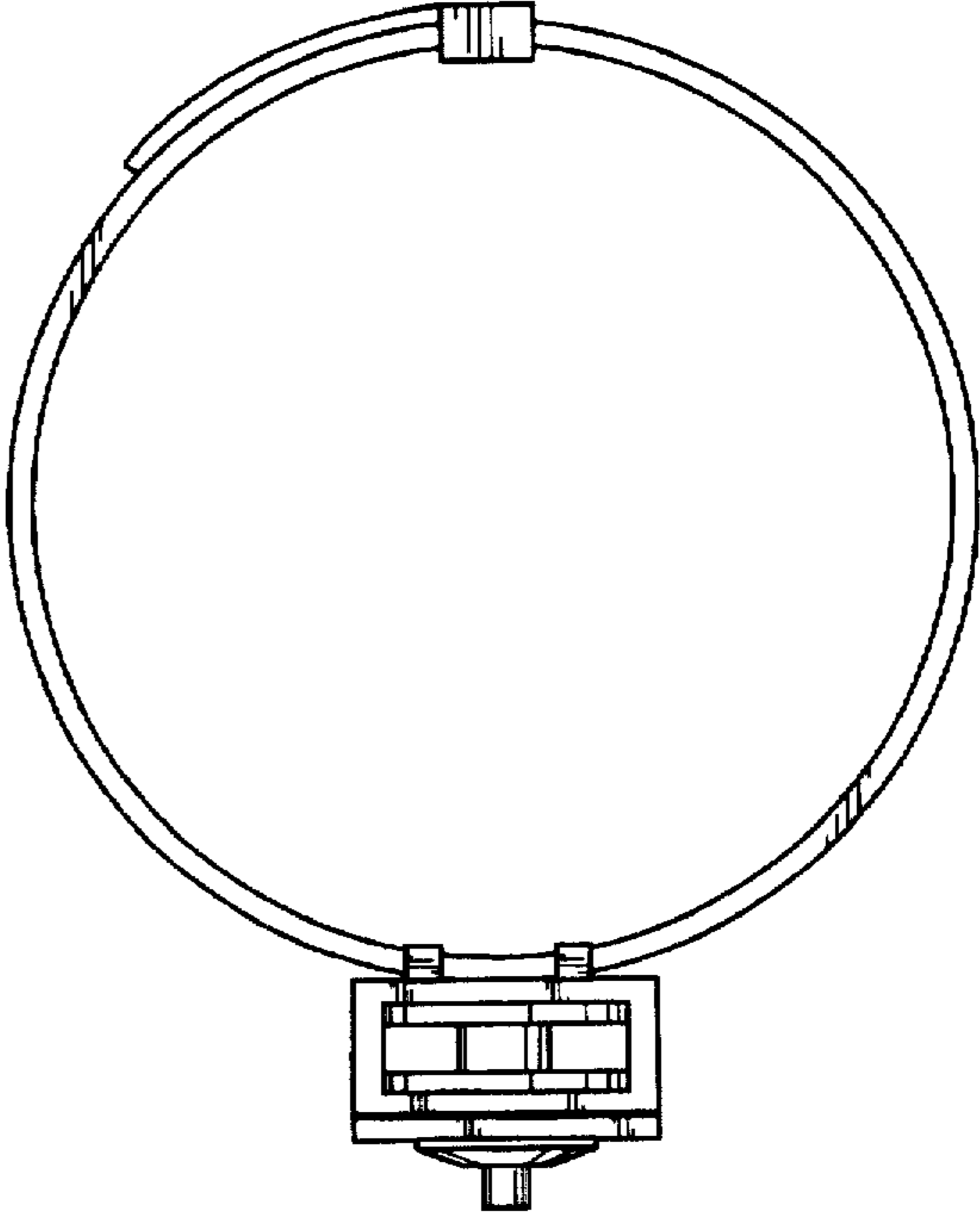


FIG. 6

FIG. 7



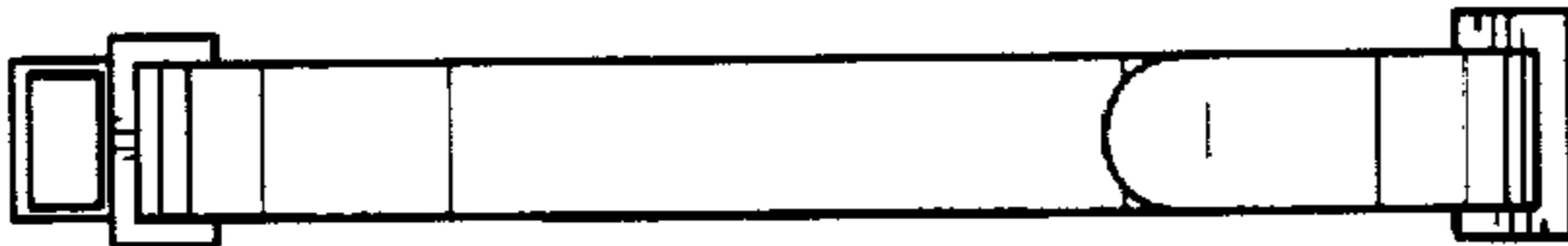


FIG. 8

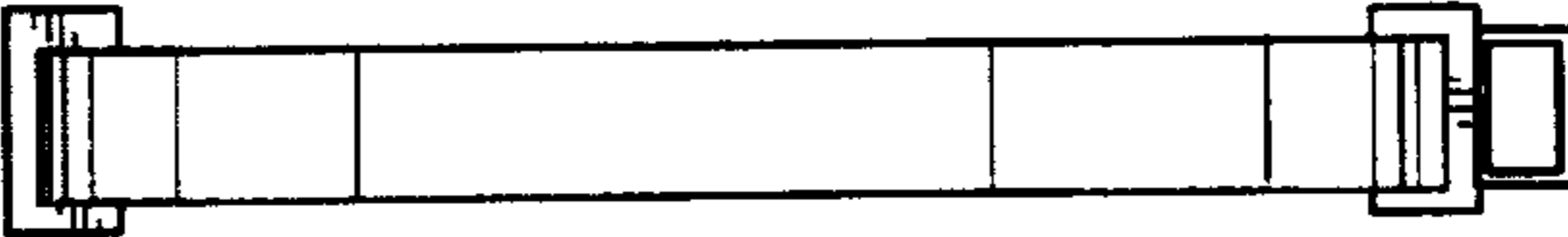


FIG. 9

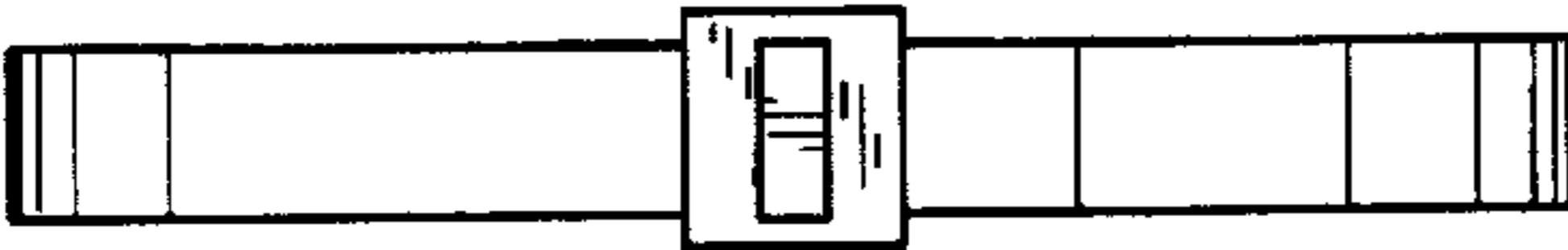


FIG. 10

FIG. 11



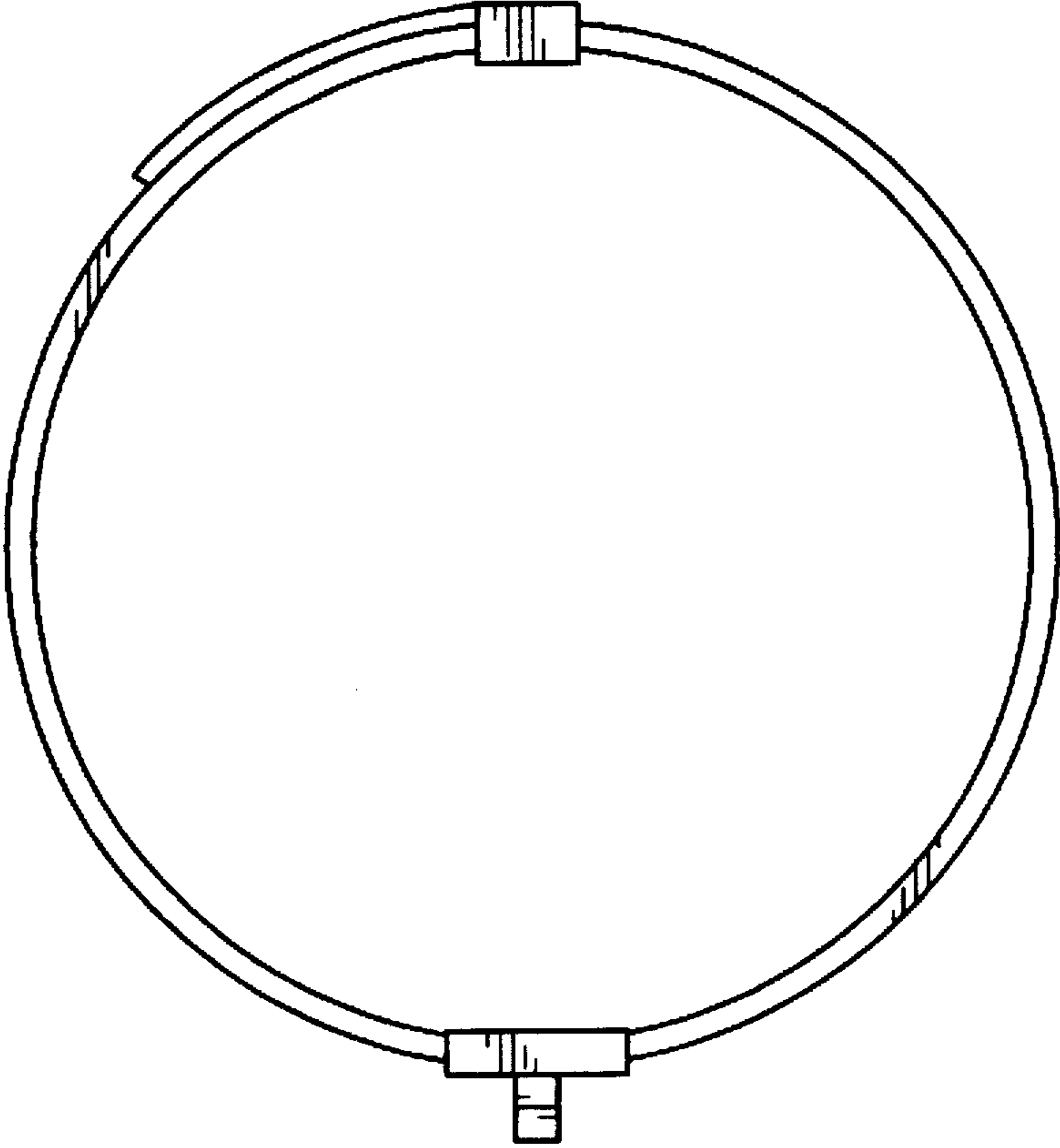


FIG. 12