



US00D391682S

United States Patent [19]

Palembas

[11] Patent Number: **Des. 391,682**

[45] Date of Patent: ****Mar. 3, 1998**

[54] **MOTORCYCLE HARNESS FOR CHILDREN**

D. 340,784 10/1993 Clayton D29/101
2,758,595 8/1956 Lovett D29/101

[76] Inventor: **Carol Palembas**, 12050 S. M52 Hwy.,
Perry, Mich. 48872-9112

Primary Examiner—Ruth McInroy
Attorney, Agent, or Firm—Harold H. Dutton, Jr.

[**] Term: **14 Years**

[57] CLAIM

[21] Appl. No.: **37,905**

The ornamental design for a motorcycle harness for children, as shown.

[22] Filed: **Apr. 24, 1995**

DESCRIPTION

[51] LOC (6) Cl. **30-04**

[52] U.S. Cl. **D29/101**

[58] **Field of Search** D29/100-101,
D29/122; D24/190; D2/861, 854, 830;
2/2; 182/3; 128/846, 869, 870, 874, 875;
244/122 AG; 119/770; 297/464, 465, 467

FIG. 1 is a front view of a motorcycle harness for children showing my new design;

FIG. 2 is a rear view thereof;

FIG. 3 is a right side view thereof;

FIG. 4 is a left side view thereof;

FIG. 5 is a top view thereof; and,

FIG. 6 is a bottom view thereof.

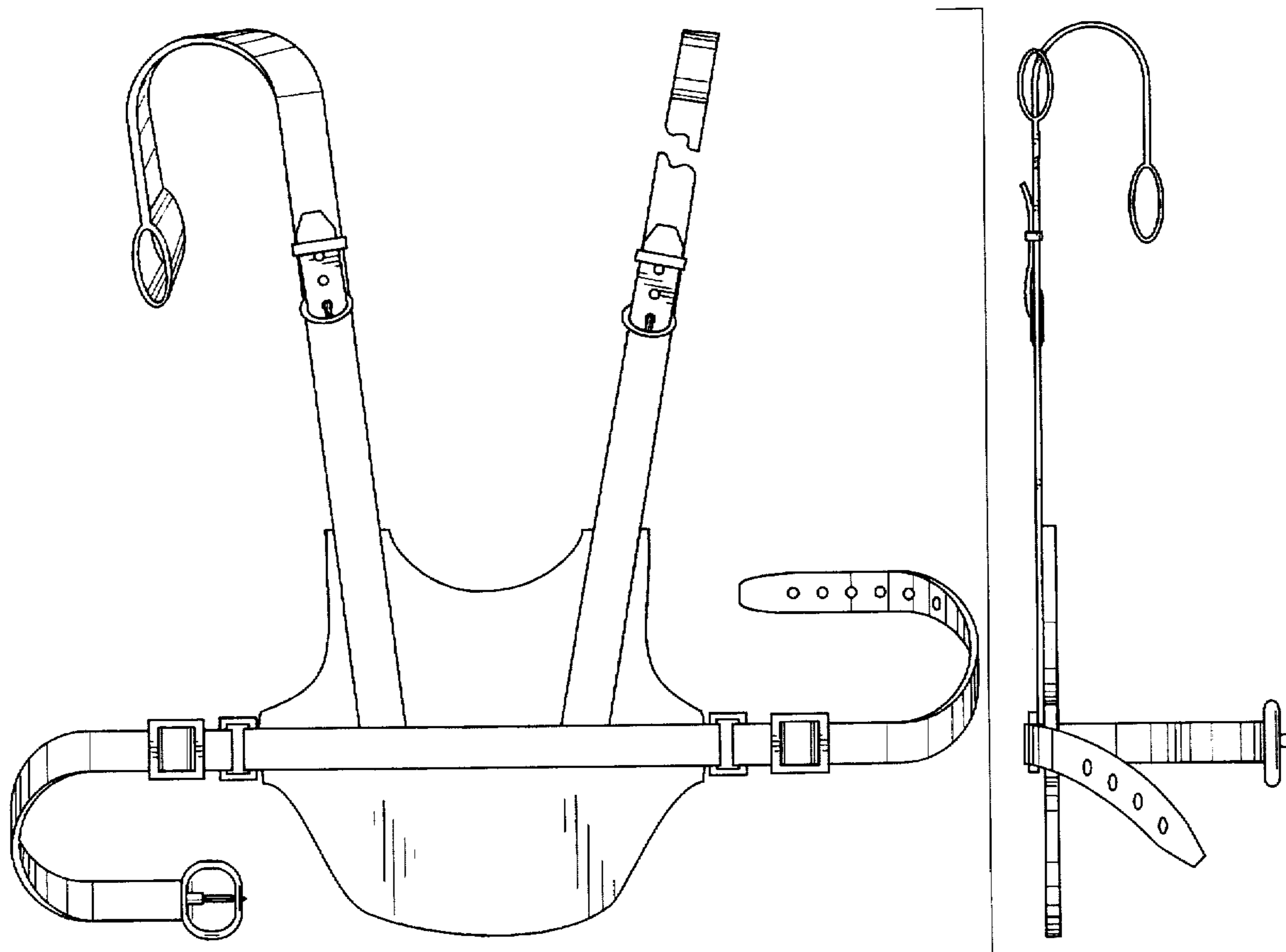
The strap shown broken away in FIGS. 1-4 represents indeterminate length.

[56] References Cited

U.S. PATENT DOCUMENTS

D. 263,641 4/1982 Nandorf D29/101
D. 319,516 8/1991 Dissing D29/101
D. 339,217 9/1993 McCue et al. D29/101

1 Claim, 4 Drawing Sheets



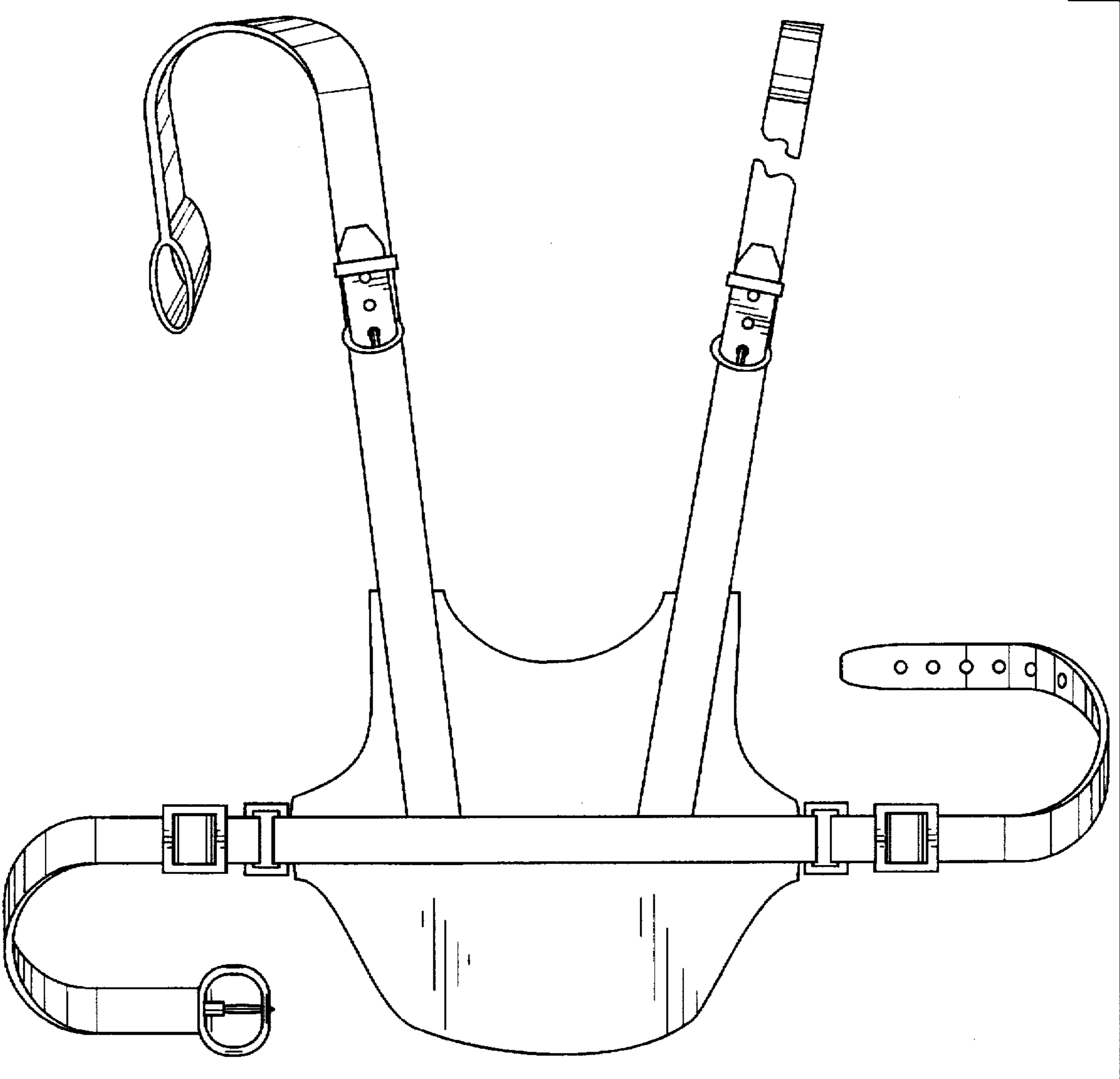


FIG. 1

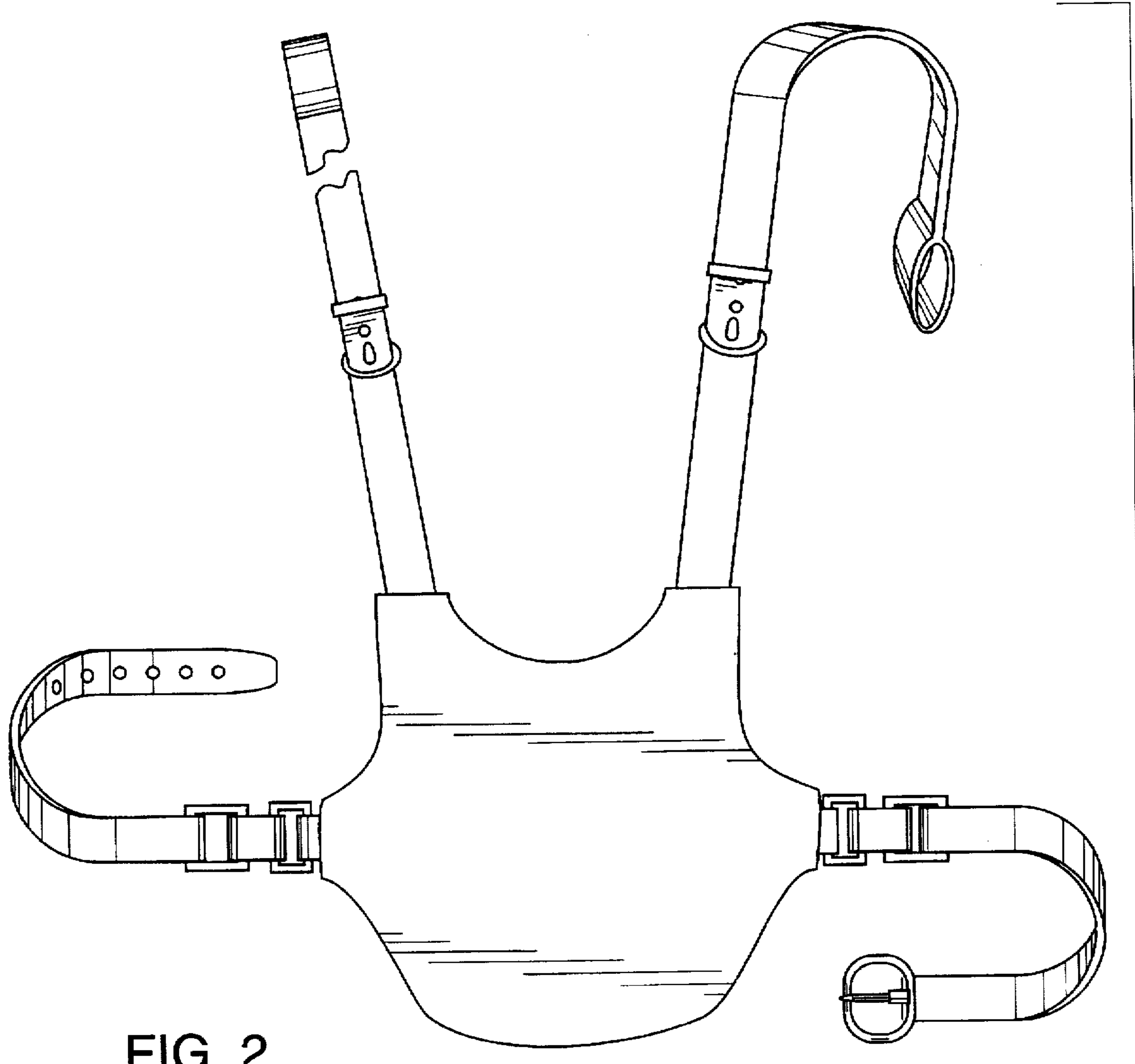


FIG. 2

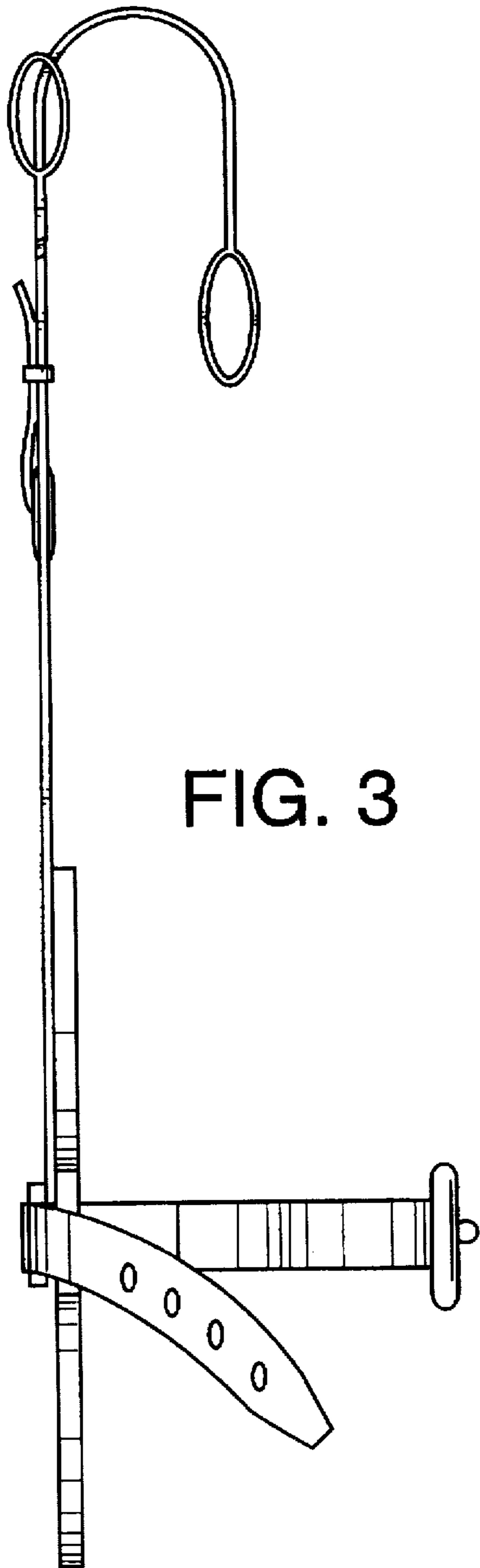


FIG. 3

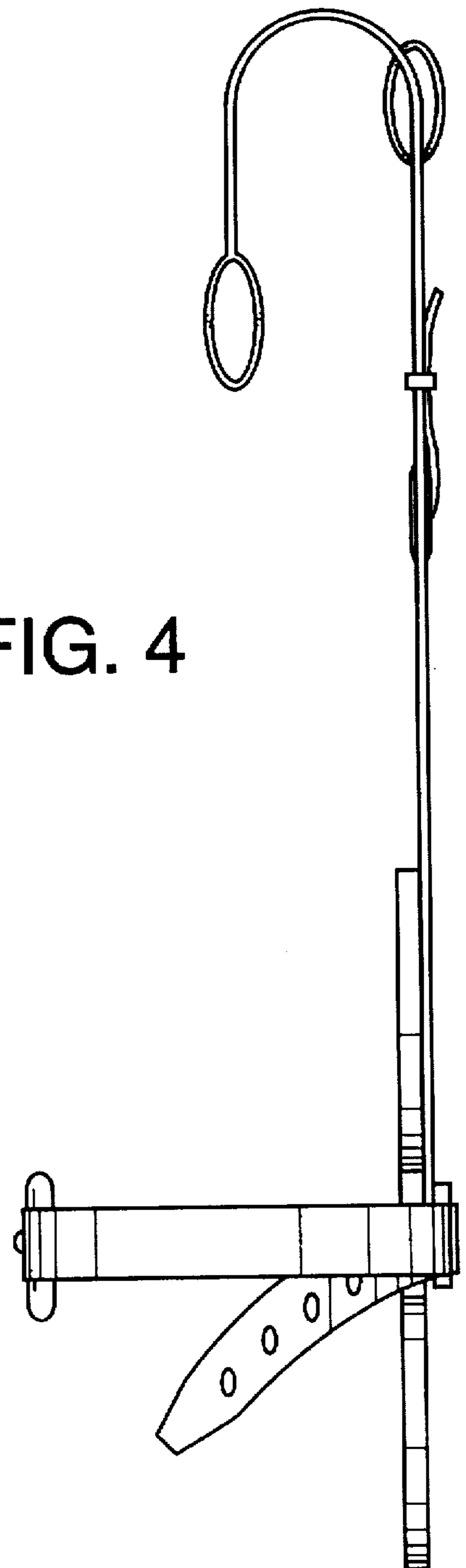


FIG. 4

FIG. 5

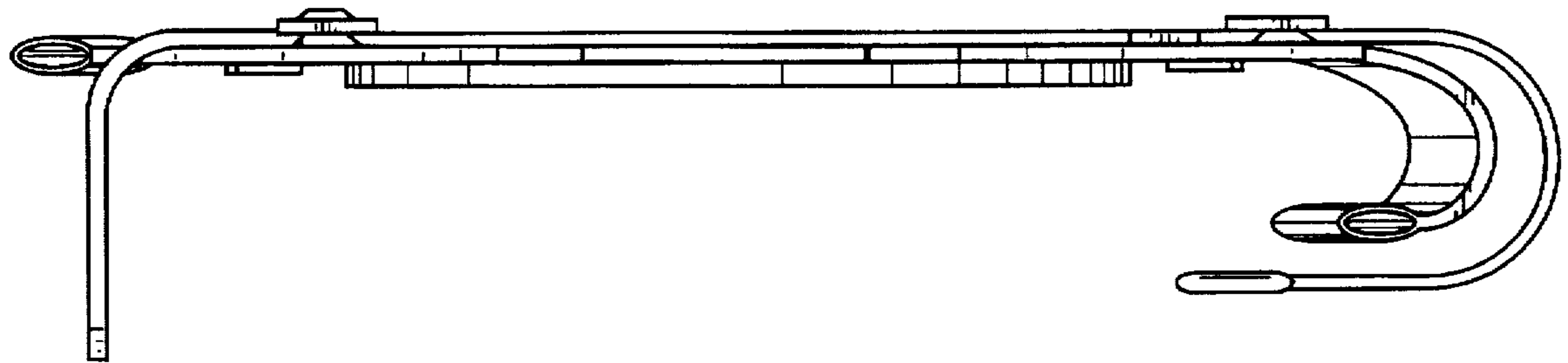
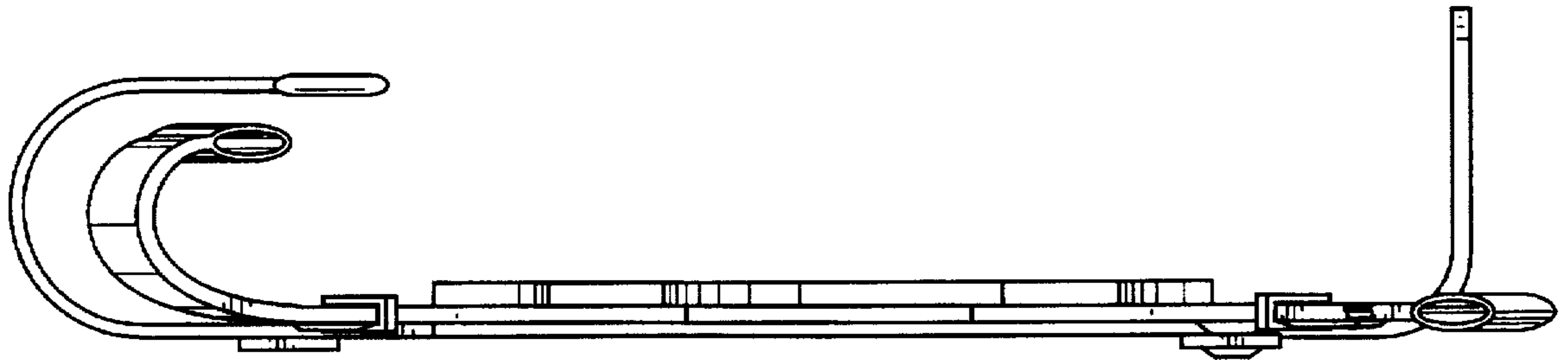


FIG. 6