



US00D391669S

United States Patent [19]
DuBow

[11] **Patent Number:** **Des. 391,669**
[45] **Date of Patent:** ****Mar. 3, 1998**

[54] **CIGAR HUMIDIFIER**
[76] **Inventor:** **Stephen DuBow**, P.O. Box 7861,
Newport Beach, Calif. 92660
[**] **Term:** **14 Years**
[21] **Appl. No.:** **69,659**
[22] **Filed:** **Mar. 31, 1997**
[51] **LOC (6) Cl.** **27-06**
[52] **U.S. Cl.** **D27/187; D27/191**
[58] **Field of Search** **D27/172, 183,**
D27/186, 187, 188, 189, 190, 191, 192,
193, 194; 206/270, 261, 250, 242, 236,
269; 220/367; D9/529

2,246,642 6/1941 Stachowiak 206/270 X
5,011,009 4/1991 Scheurer 206/270

FOREIGN PATENT DOCUMENTS

656757 5/1929 France 206/242

Primary Examiner—Susan J. Lucas
Assistant Examiner—Jennifer Register
Attorney, Agent, or Firm—George F. Bethel; Patience K. Bethel

[57] **CLAIM**

The ornamental design for a cigar humidifier, as shown and described.

DESCRIPTION

FIG. 1 shows a perspective view of my cigar humidifier; FIG. 2 shows a side elevation view that is identical on either side; FIG. 3 shows an end elevation view that is identical at either end; and, FIG. 4 shows a top plan view with bottom view being identical.

[56] **References Cited**

U.S. PATENT DOCUMENTS

D. 333,014 2/1993 Lang D27/188 X
D. 341,225 11/1993 Lang et al. D9/529 X
522,881 7/1894 Cronewett, Jr. 206/261
1,342,512 6/1920 Skinderviken 206/270
1,781,089 11/1930 Tomonaga 206/261

1 Claim, 1 Drawing Sheet

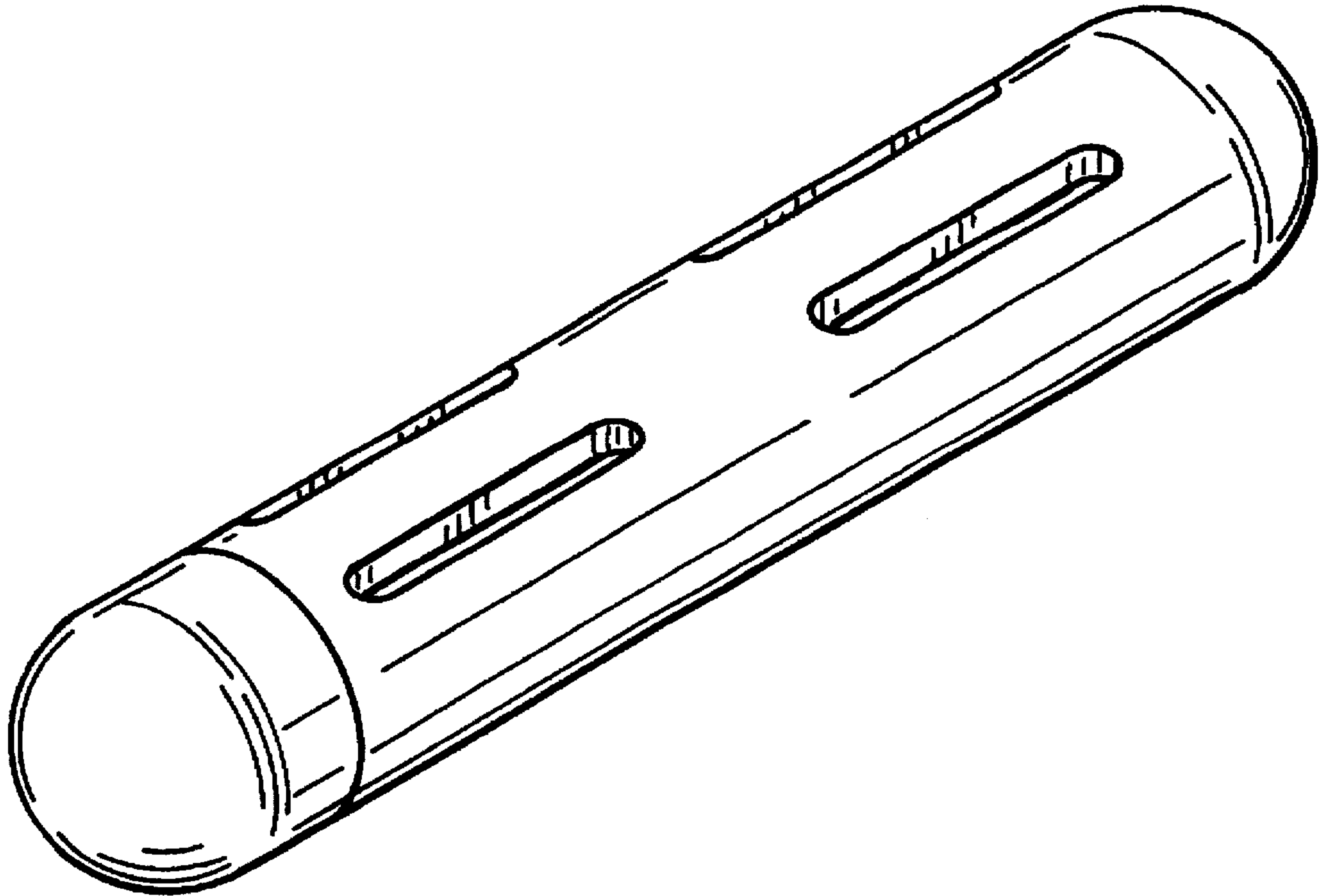


FIG. 1

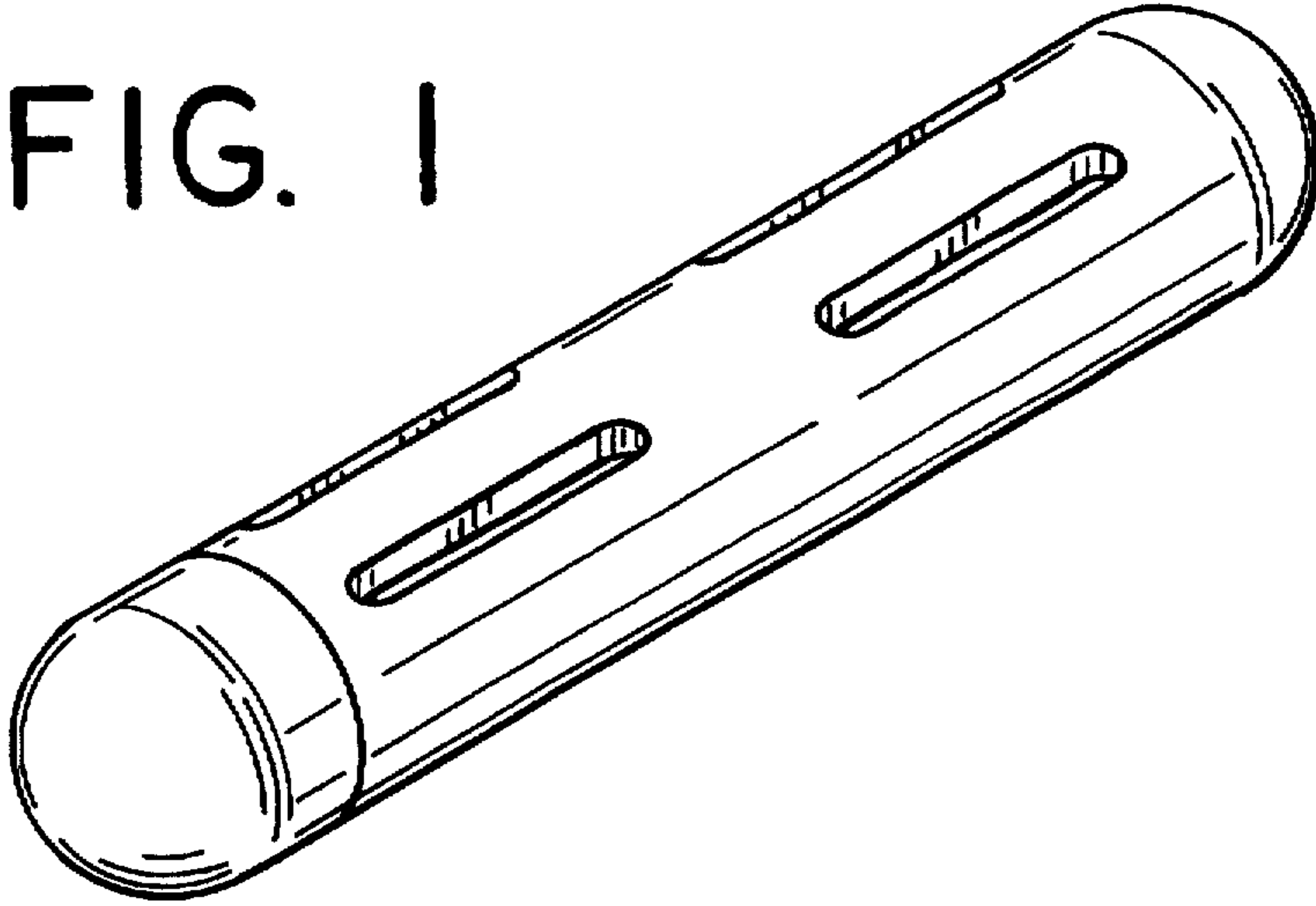


FIG. 3

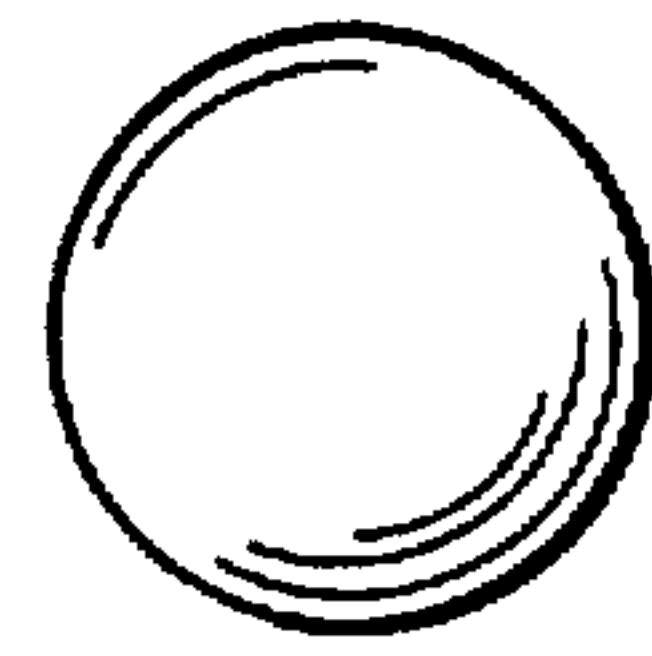


FIG. 2

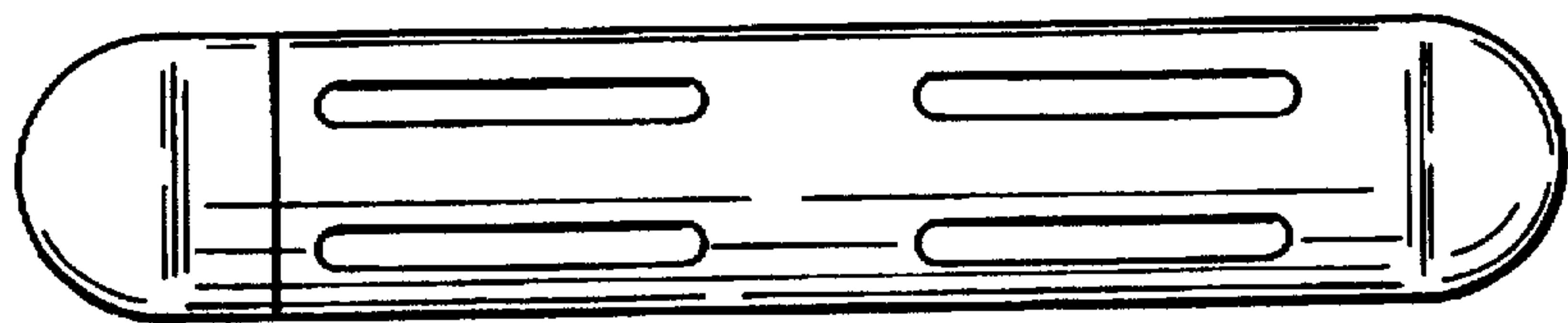
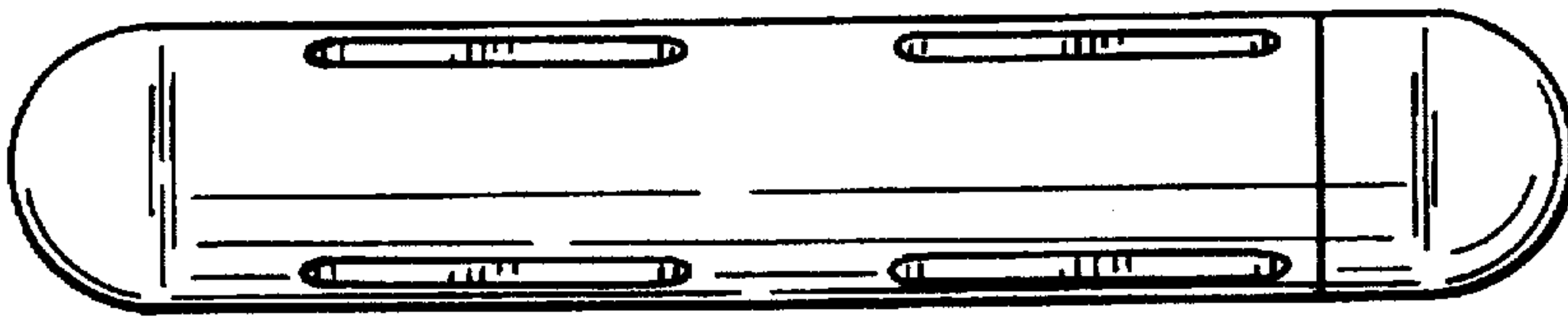


FIG. 4