



US00D391664S

# United States Patent [19]

Lewis

[11] Patent Number: **Des. 391,664**

[45] Date of Patent: **\*\*Mar. 3, 1998**

[54] LAMP

[76] Inventor: **Sally Sirkin Lewis**, 715 N. Canon Dr., Beverly Hills, Calif. 90210

[\*\*] Term: **14 Years**

[21] Appl. No.: **60,646**

[22] Filed: **Oct. 3, 1996**

[51] LOC (6) Cl. .... **26-05**

[52] U.S. Cl. .... **D26/107; D26/63**

[58] Field of Search ..... D26/60, 62, 63, D26/65, 93, 102-112; 362/410-414, 418, 419, 427, 267, 275, 277, 287

[56] **References Cited**

**U.S. PATENT DOCUMENTS**

D. 315,963	4/1991	Greer	.....	D26/63
4,772,991	9/1988	Wood	.....	362/287
4,999,756	3/1991	Lee	.....	362/287 X

**OTHER PUBLICATIONS**

Abitare magazine, lighting catalog supplement, p. 6, table lamp, bottom, left, Jul./Aug. 1979.  
 Abitare magazine, lighting catalog supplement, p. 6, desk lamp, bottom, right, Jul./Aug. 1979.

Nessen Lamps Inc. catalog, p. 40, double reading #NT957, 1981.

*Primary Examiner*—Susan J. Lucas  
*Attorney, Agent, or Firm*—Marvin H. Kleinberg; Lerner & Ram LLP

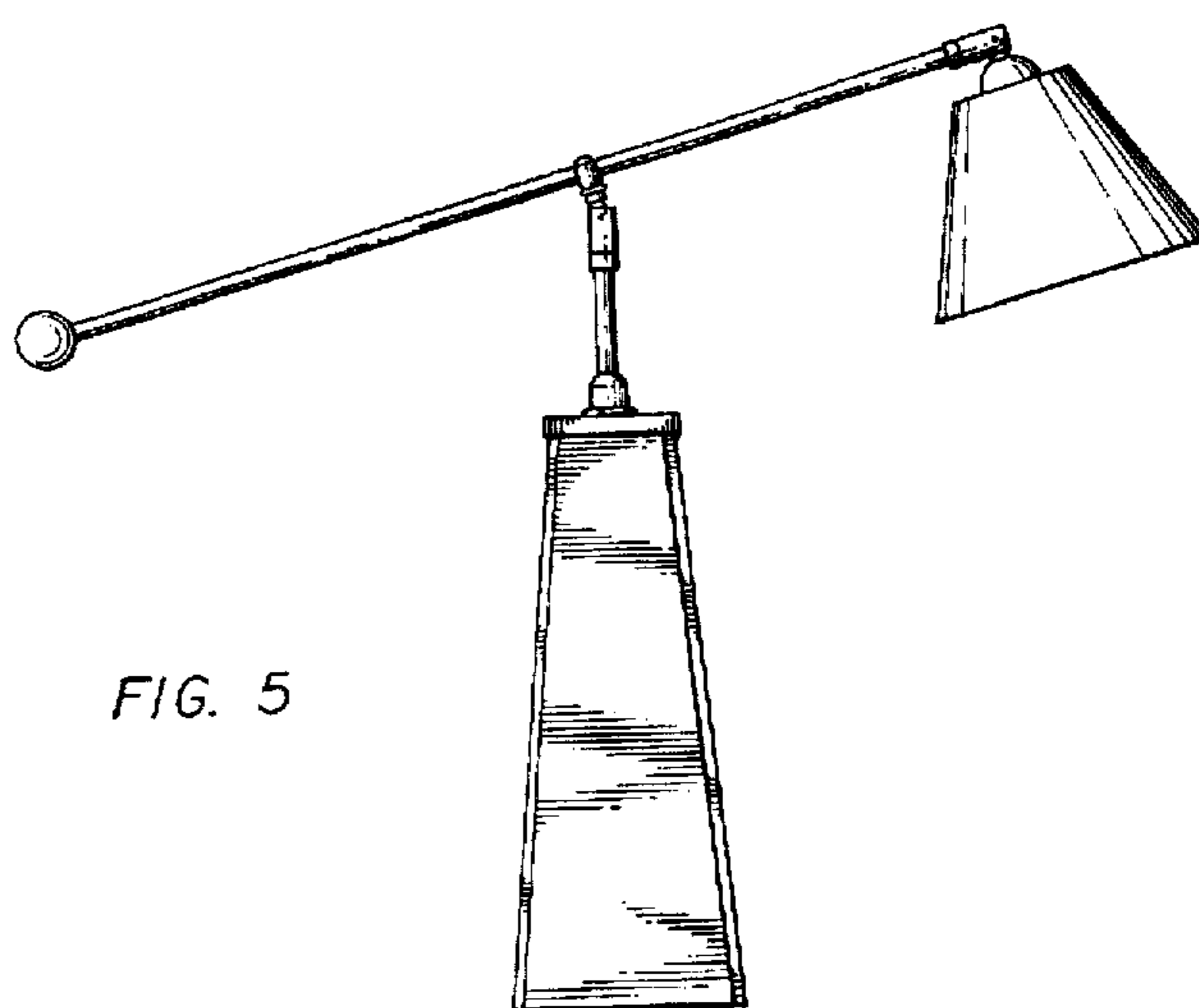
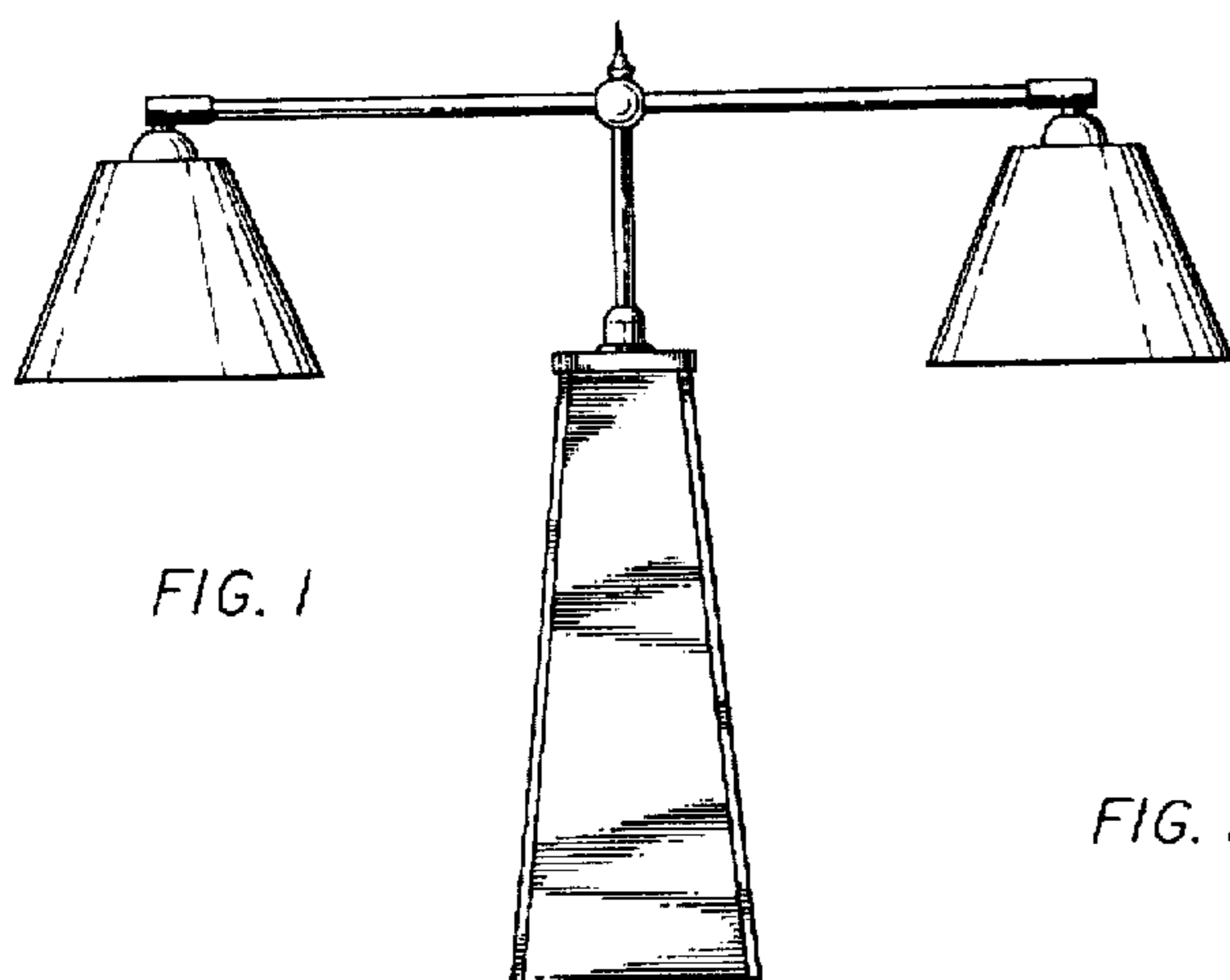
[57] **CLAIM**

The ornamental design for a lamp, as shown and described.

**DESCRIPTION**

FIG. 1 is a front view of the lamp of the present invention; FIG. 2 is a side view of lamp of FIG. 1; FIG. 3 is a top view of the lamp of FIG. 1; FIG. 4 is a bottom view of the lamp of FIG. 1; FIG. 5 is a front view of an alternative embodiment of the lamp of the present invention in the form of a task lamp; FIG. 6 is a right side view of the task lamp of FIG. 5; FIG. 7 is a left side view of the task lamp of FIG. 5; FIG. 8 is a top view of the task lamp of FIG. 5; and FIG. 9 is a bottom view of the task lamp of FIG. 5. The front and rear views of each of the embodiments of the design are mirror images.

**1 Claim, 5 Drawing Sheets**



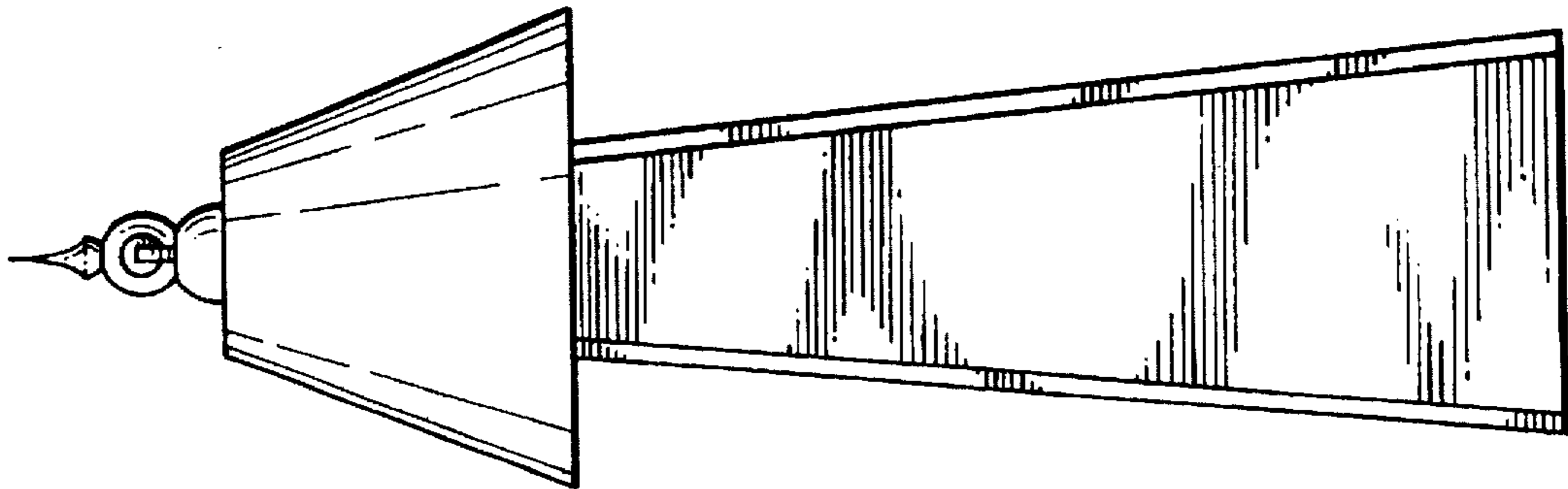


FIG. 2

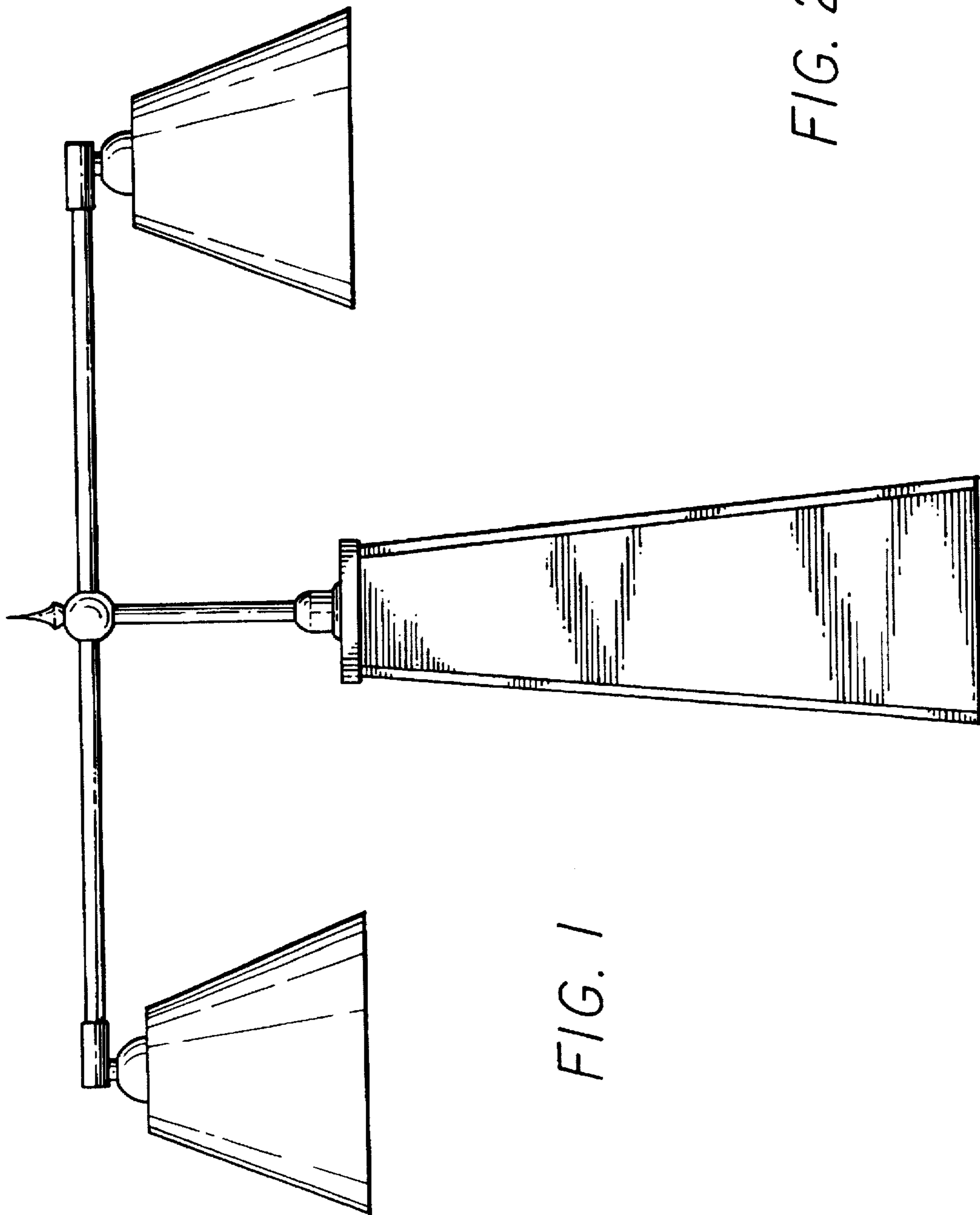


FIG. 1

FIG. 3

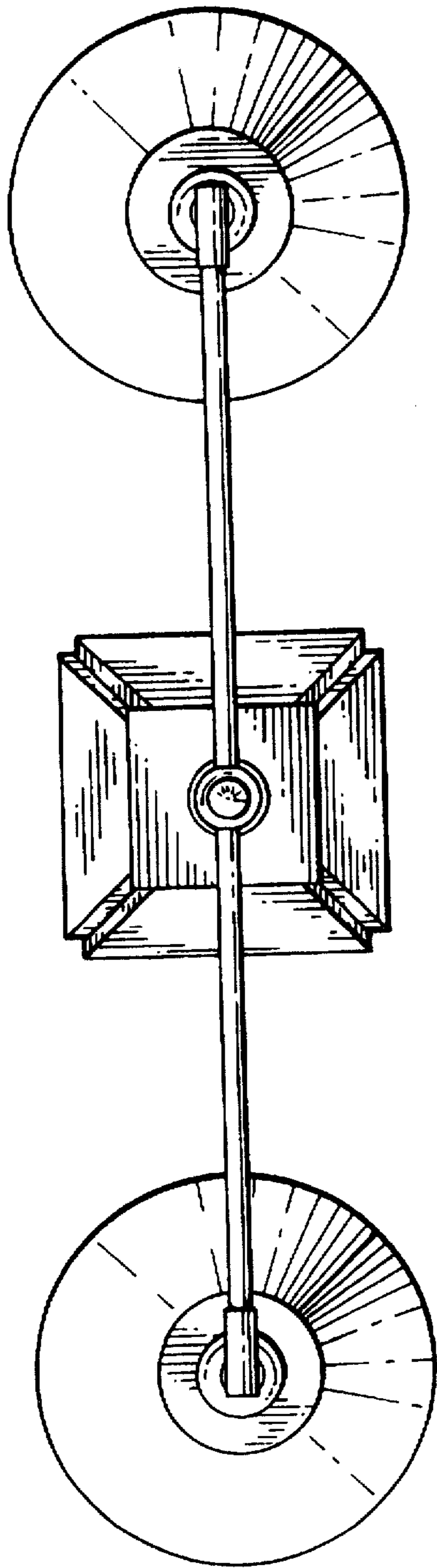
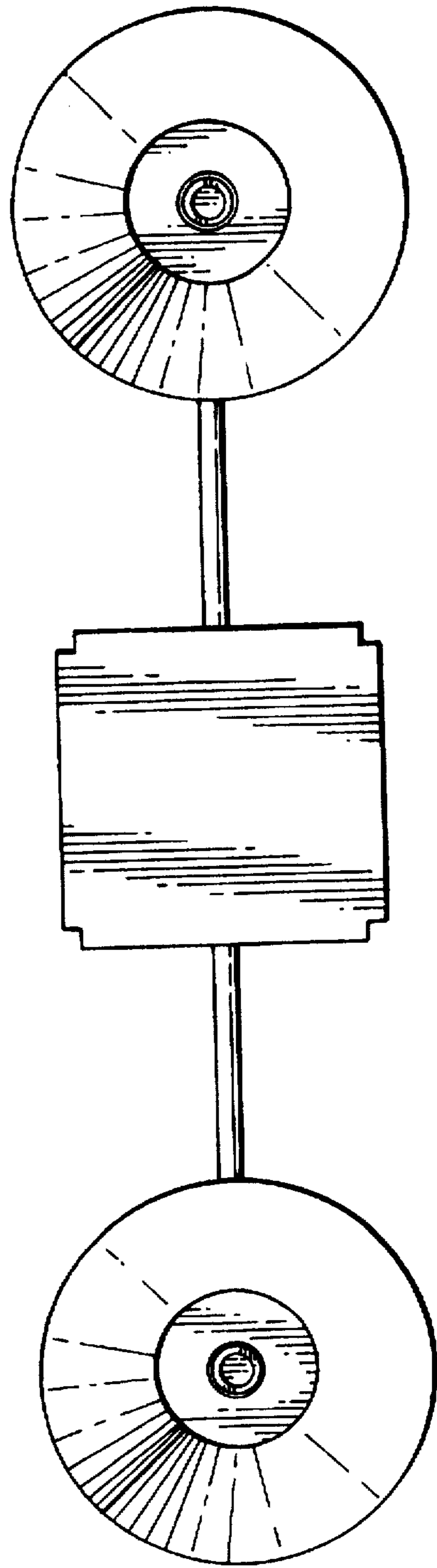


FIG. 4



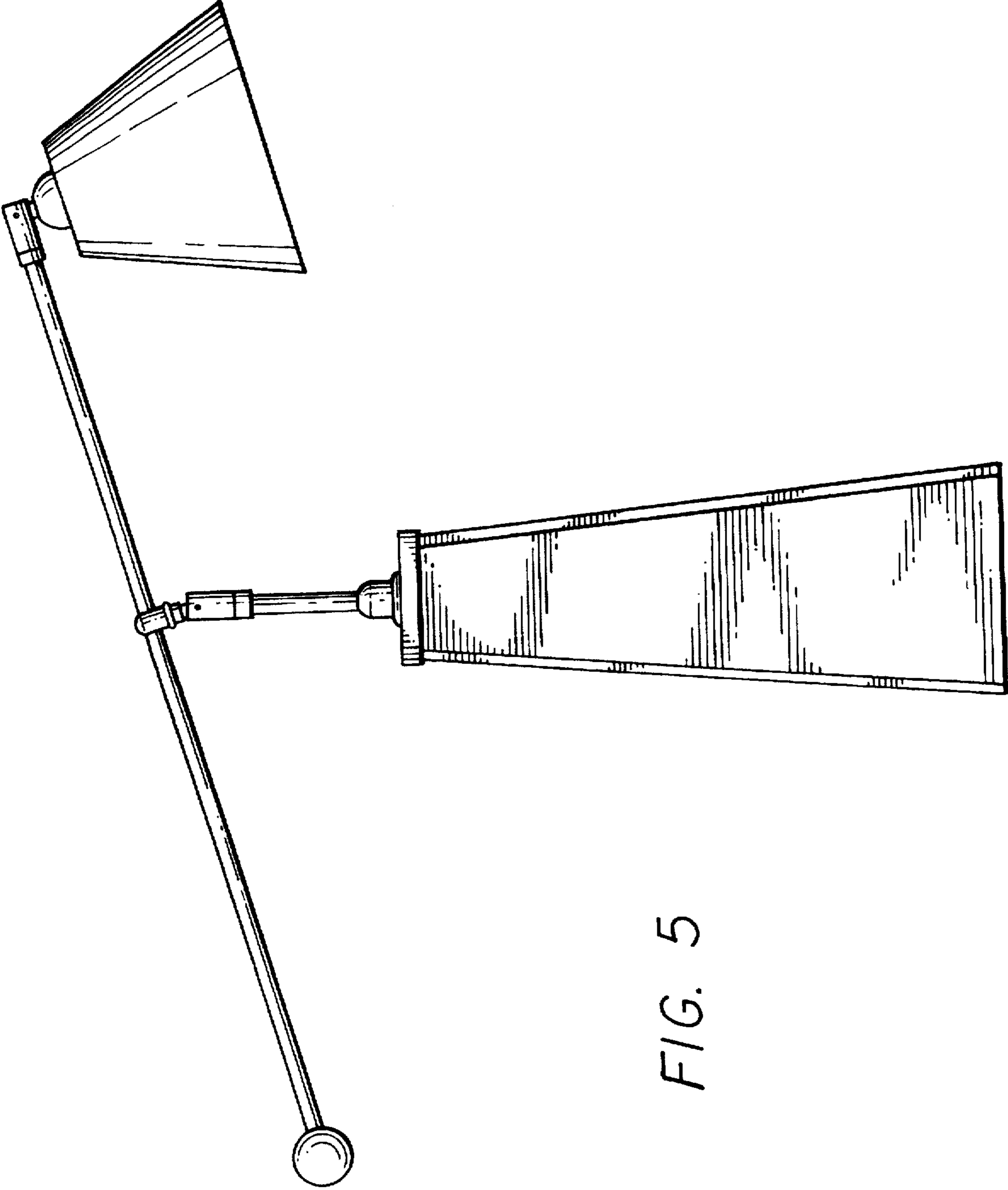


FIG. 5

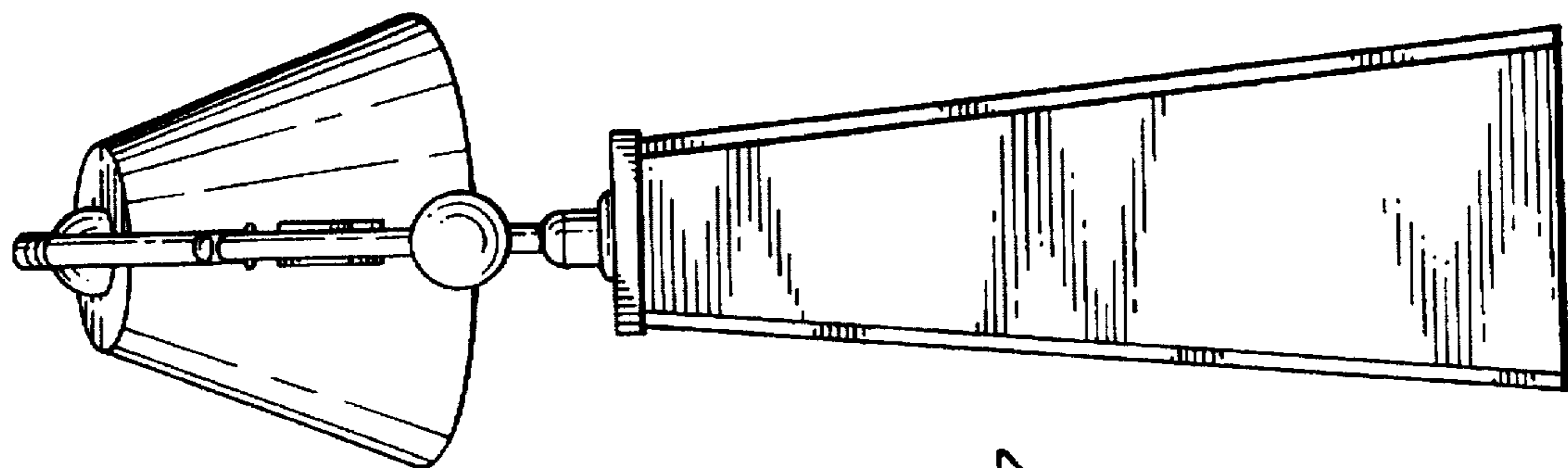


FIG. 6

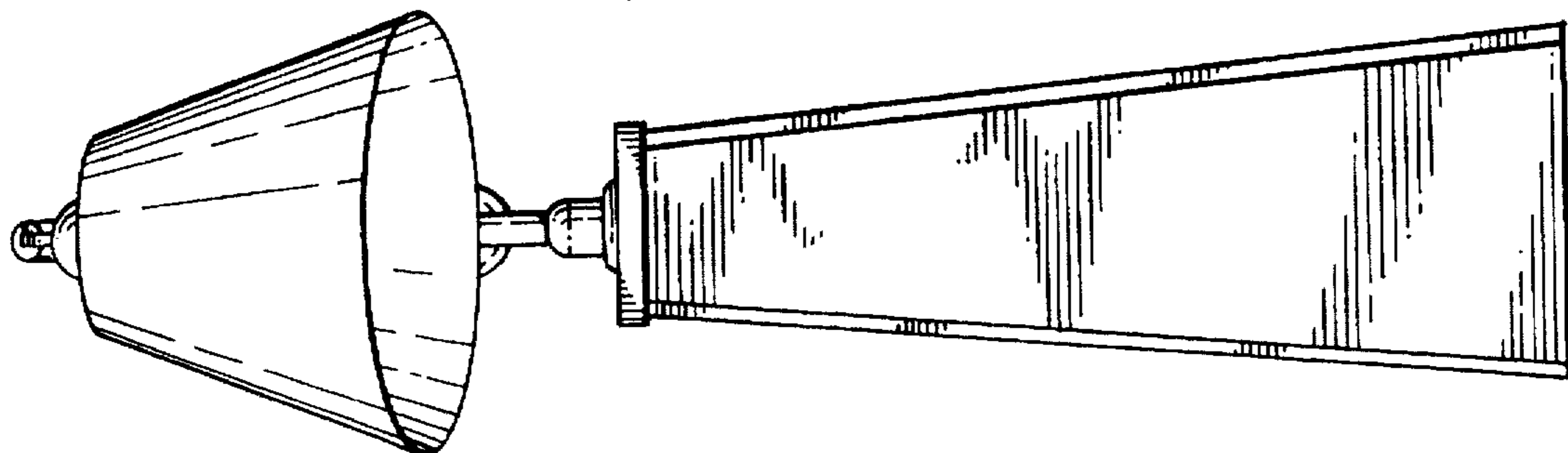


FIG. 7

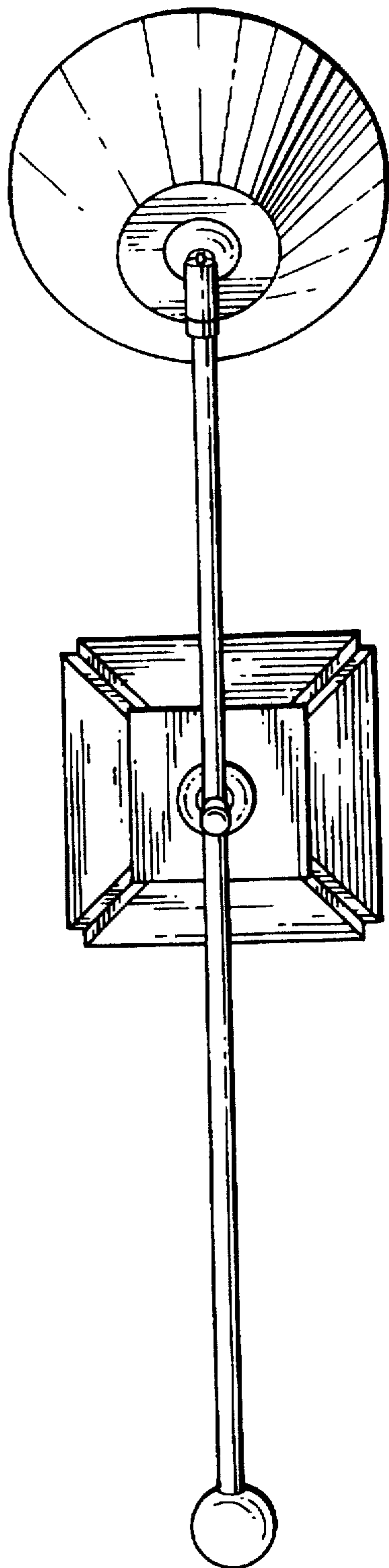


FIG. 8

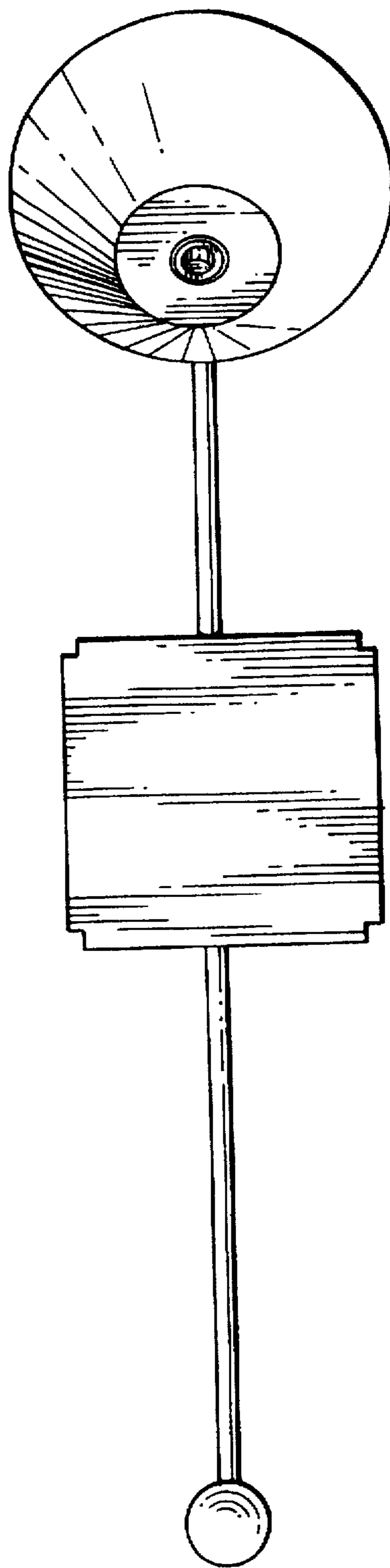


FIG. 9