



US00D391661S

United States Patent [19]
Pan

[11] **Patent Number:** **Des. 391,661**
[45] **Date of Patent:** ****Mar. 3, 1998**

[54] **PENDANT LAMP**

[75] **Inventor:** **Lian Pan**, Taoyuan Hsien, Taiwan
[73] **Assignee:** **Evergreen-Lite Enterprises Co., Ltd.**,
Taoyuan Hsien, Taiwan
[**] **Term:** **14 Years**

[21] **Appl. No.:** **71,600**
[22] **Filed:** **Jun. 3, 1997**

[51] **LOC (6) Cl.** **26-05**
[52] **U.S. Cl.** **D26/86**
[58] **Field of Search** **D26/72, 80-92;**
362/147, 404-408, 432

[56] **References Cited**
U.S. PATENT DOCUMENTS

D. 339,651 9/1993 Veyra D26/86 X
D. 341,442 11/1993 Shapira D26/88

OTHER PUBLICATIONS

Annapolis lighting Quoizel Lamp catalog, p. 3. semi flush halogen ceiling lamp "B", Nov. 1994.

Primary Examiner—Susan J. Lucas
Attorney, Agent, or Firm—Beveridge, DeGrandi, Weilacher & Young LLP

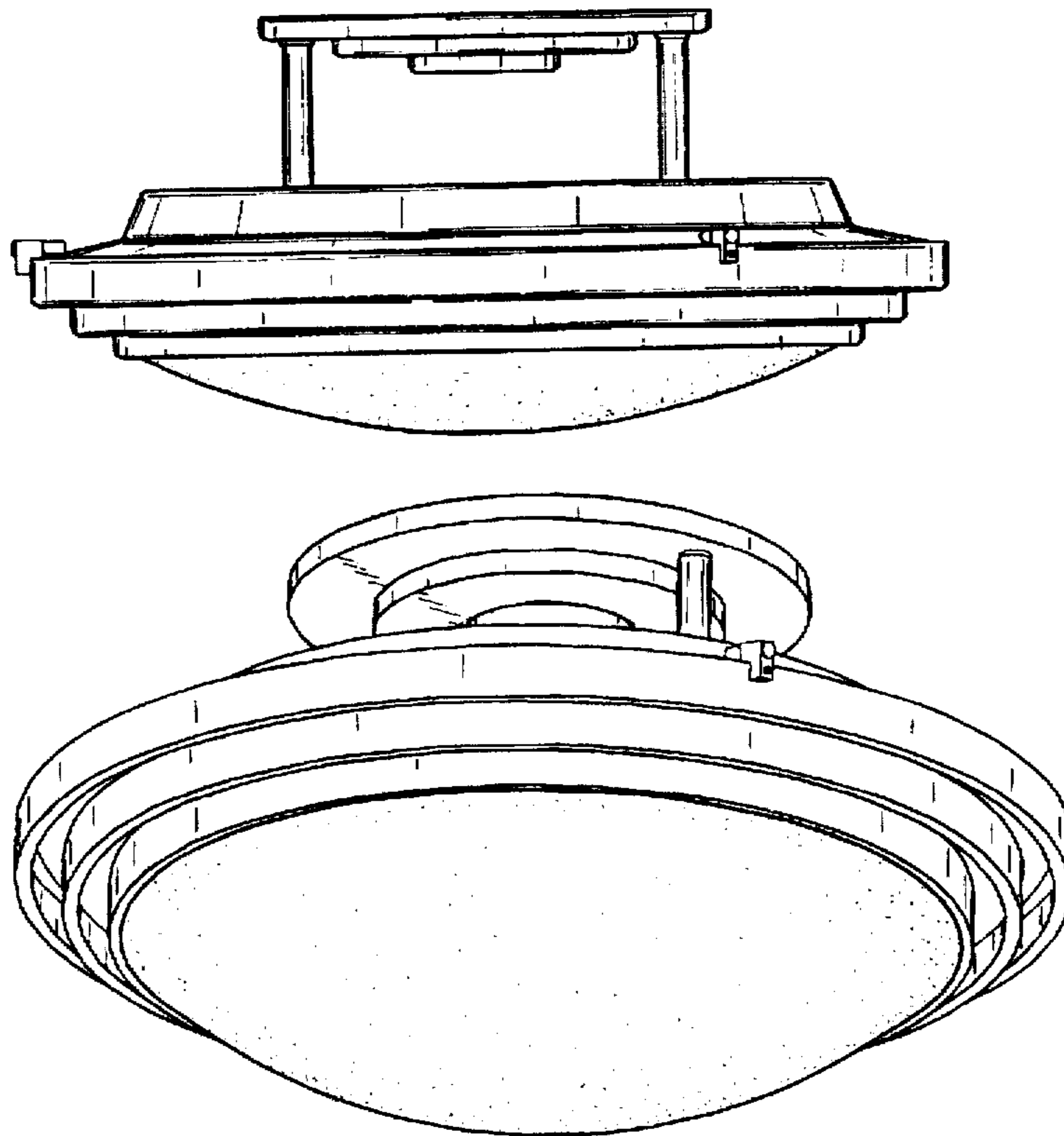
[57] **CLAIM**

The ornamental design for a "pendant lamp", as shown and described.

DESCRIPTION

FIG. 1 is a front view of a pendant lamp showing my new design;
FIG. 2 is a rear view thereof;
FIG. 3 is a left side view thereof;
FIG. 4 is a right side view thereof;
FIG. 5 is a top view thereof;
FIG. 6 is a bottom view thereof; and,
FIG. 7 is a perspective view thereof.

1 Claim, 4 Drawing Sheets



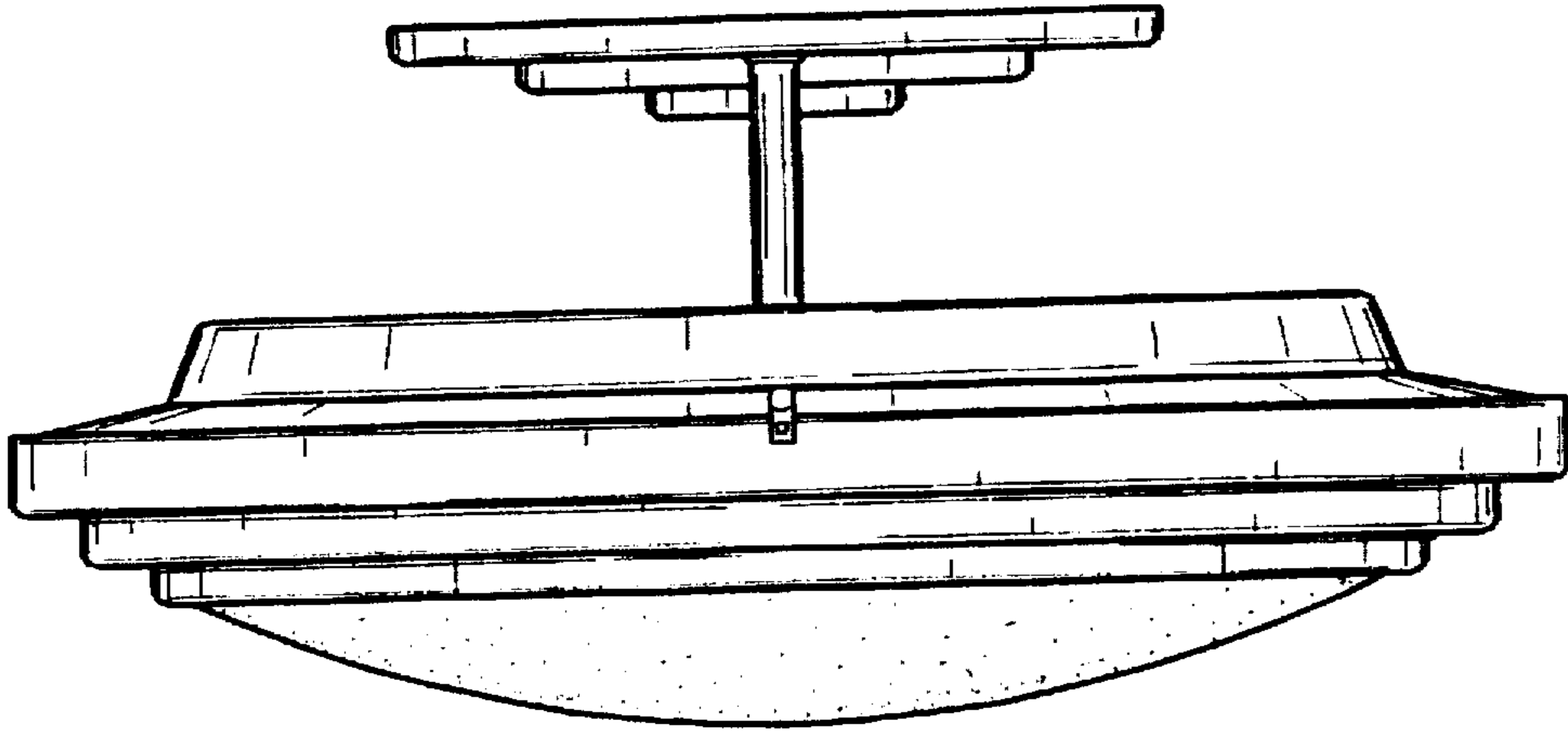


FIG. 4

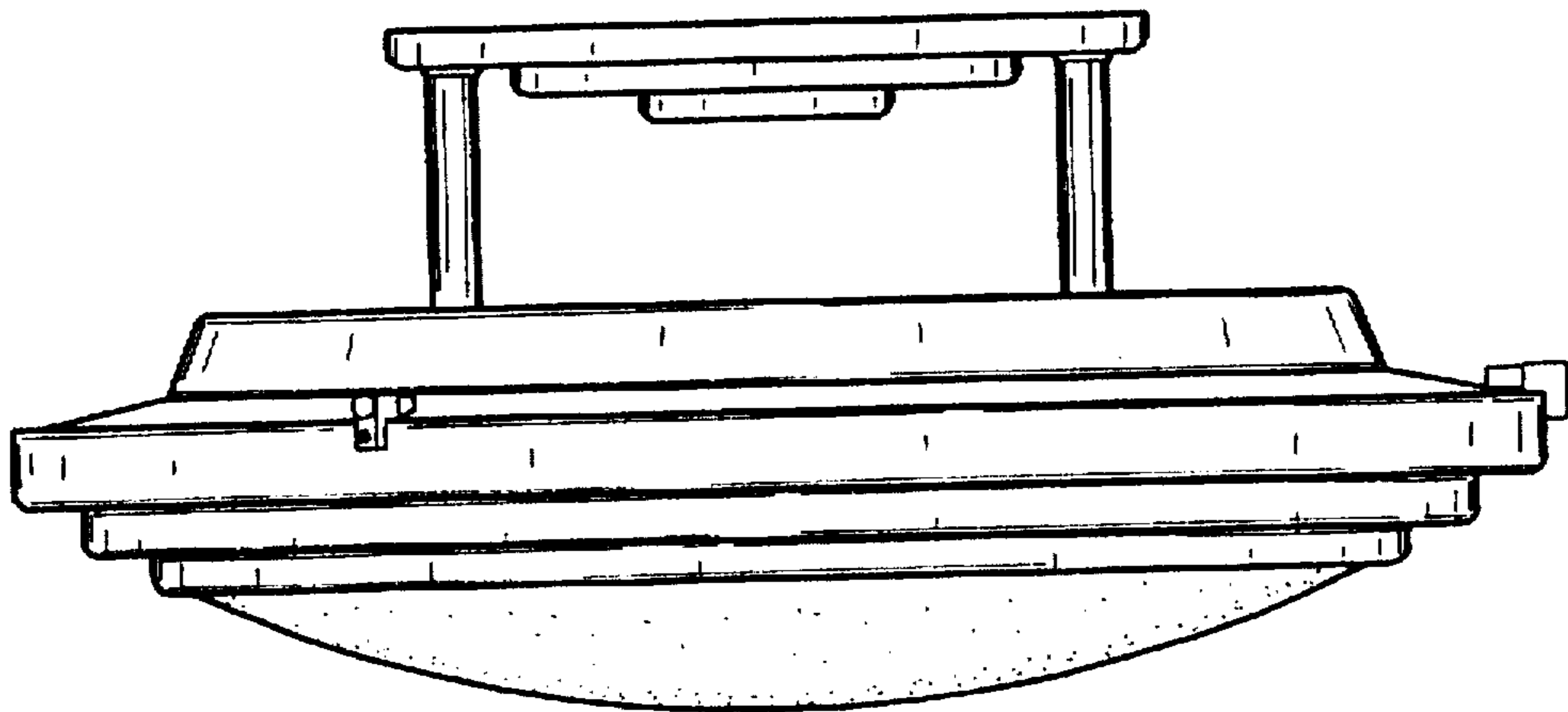


FIG. 1

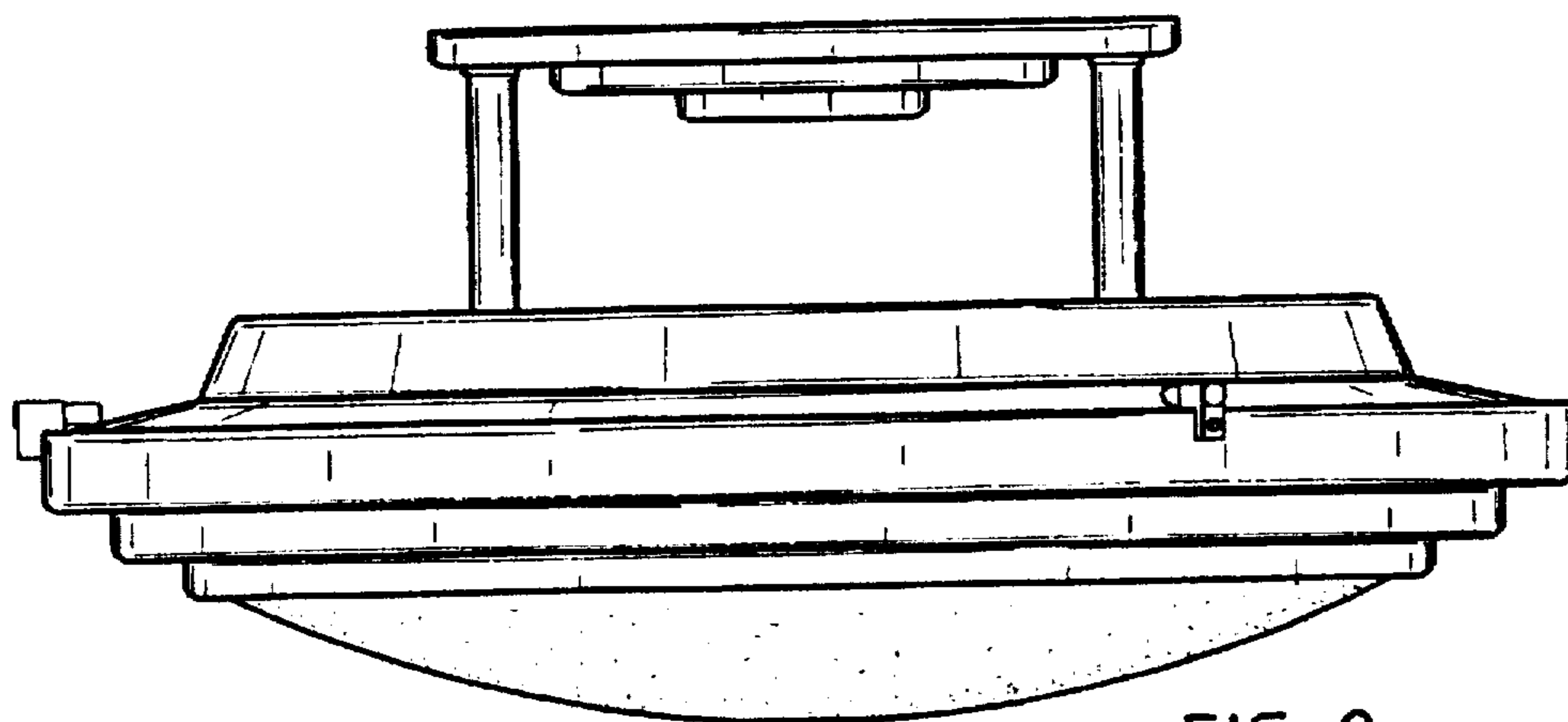


FIG. 2

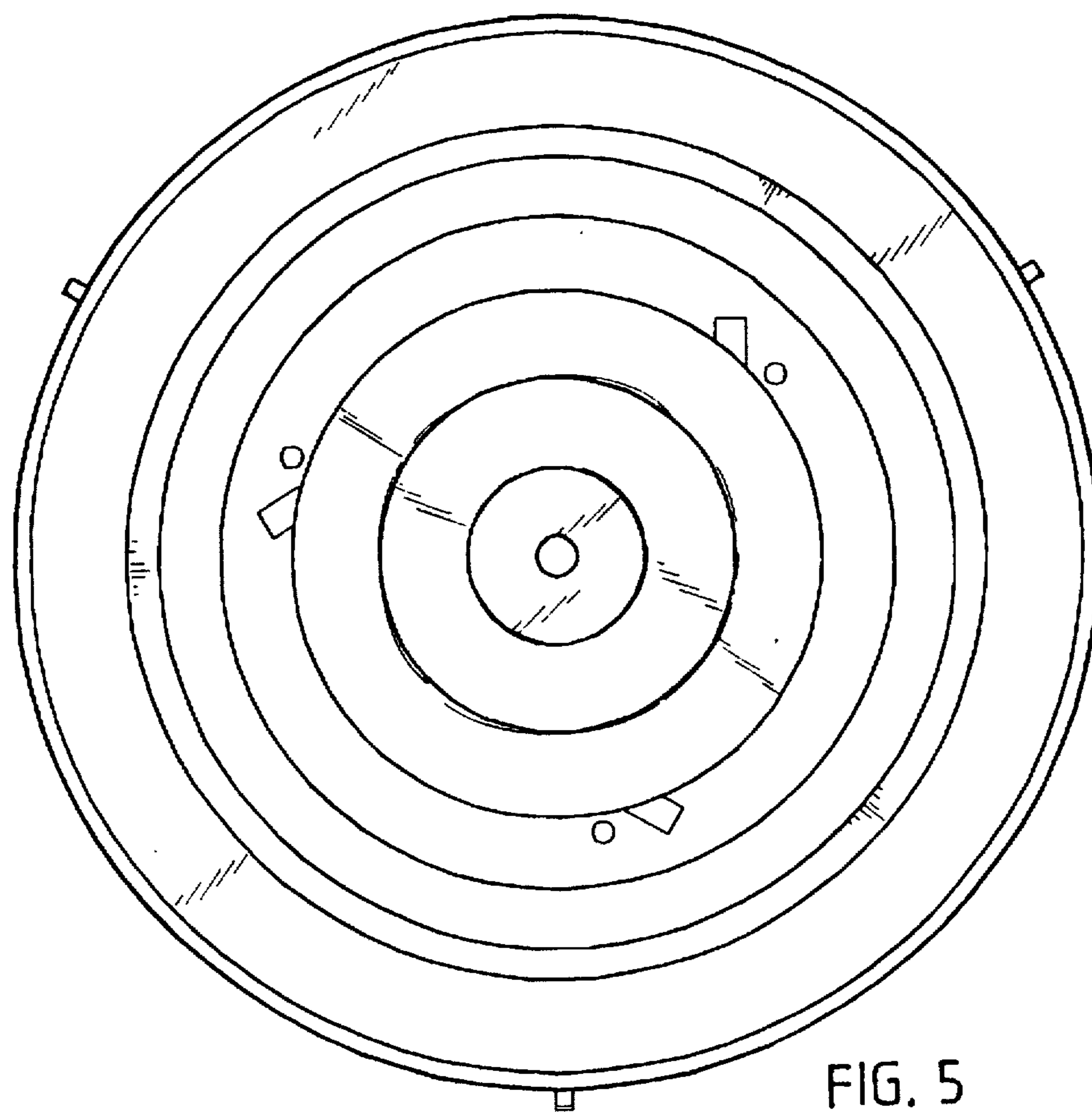


FIG. 5

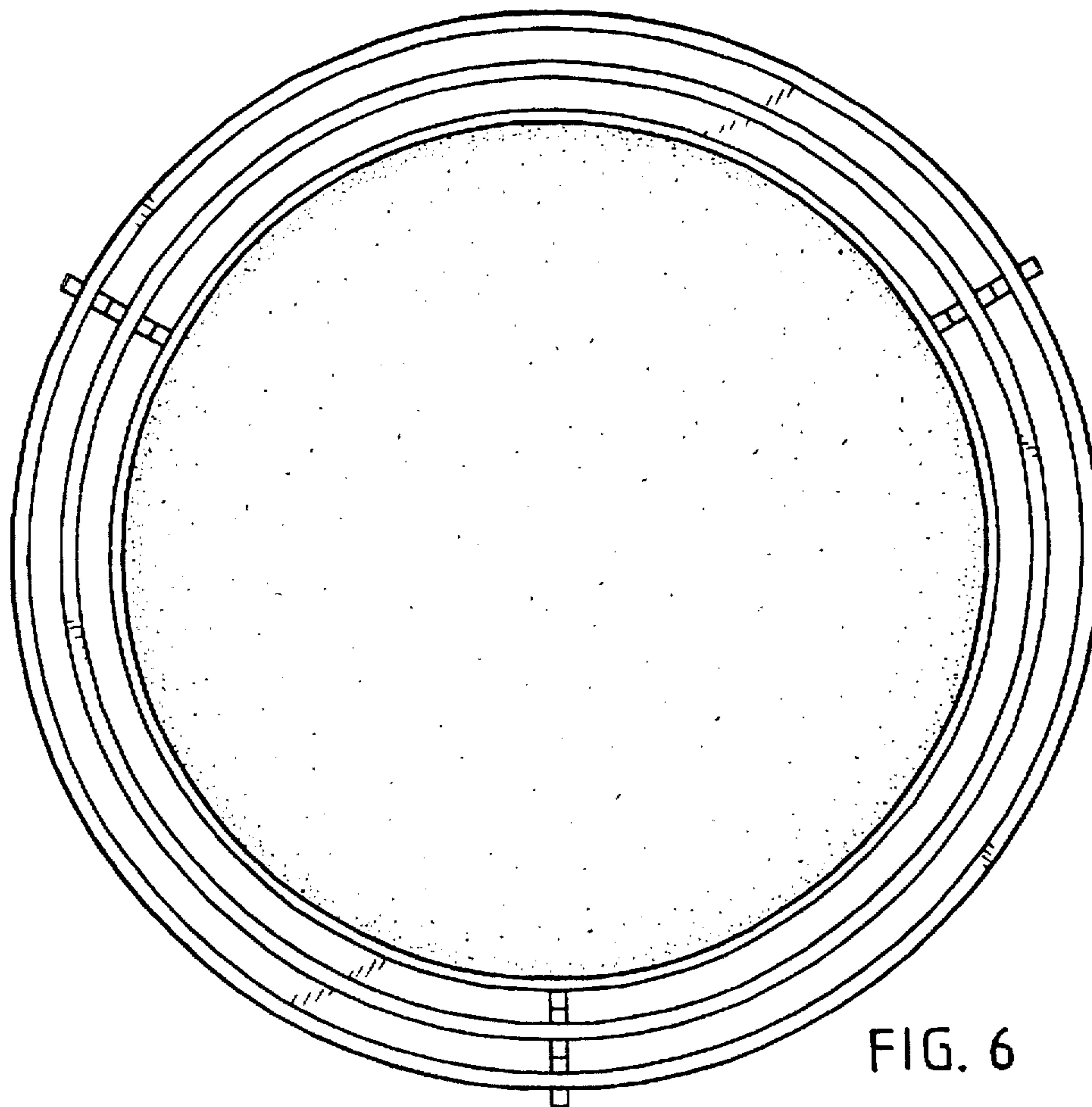


FIG. 6

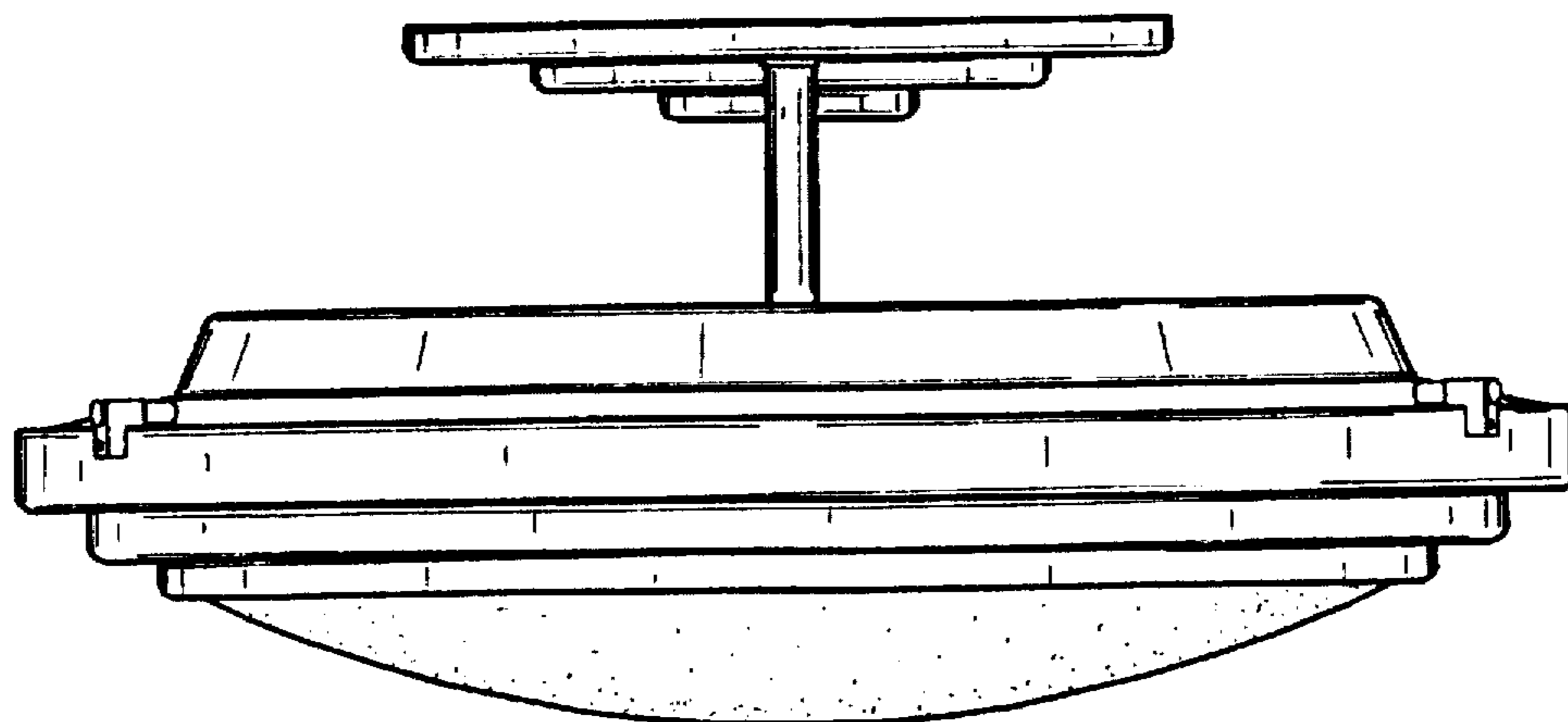


FIG. 3

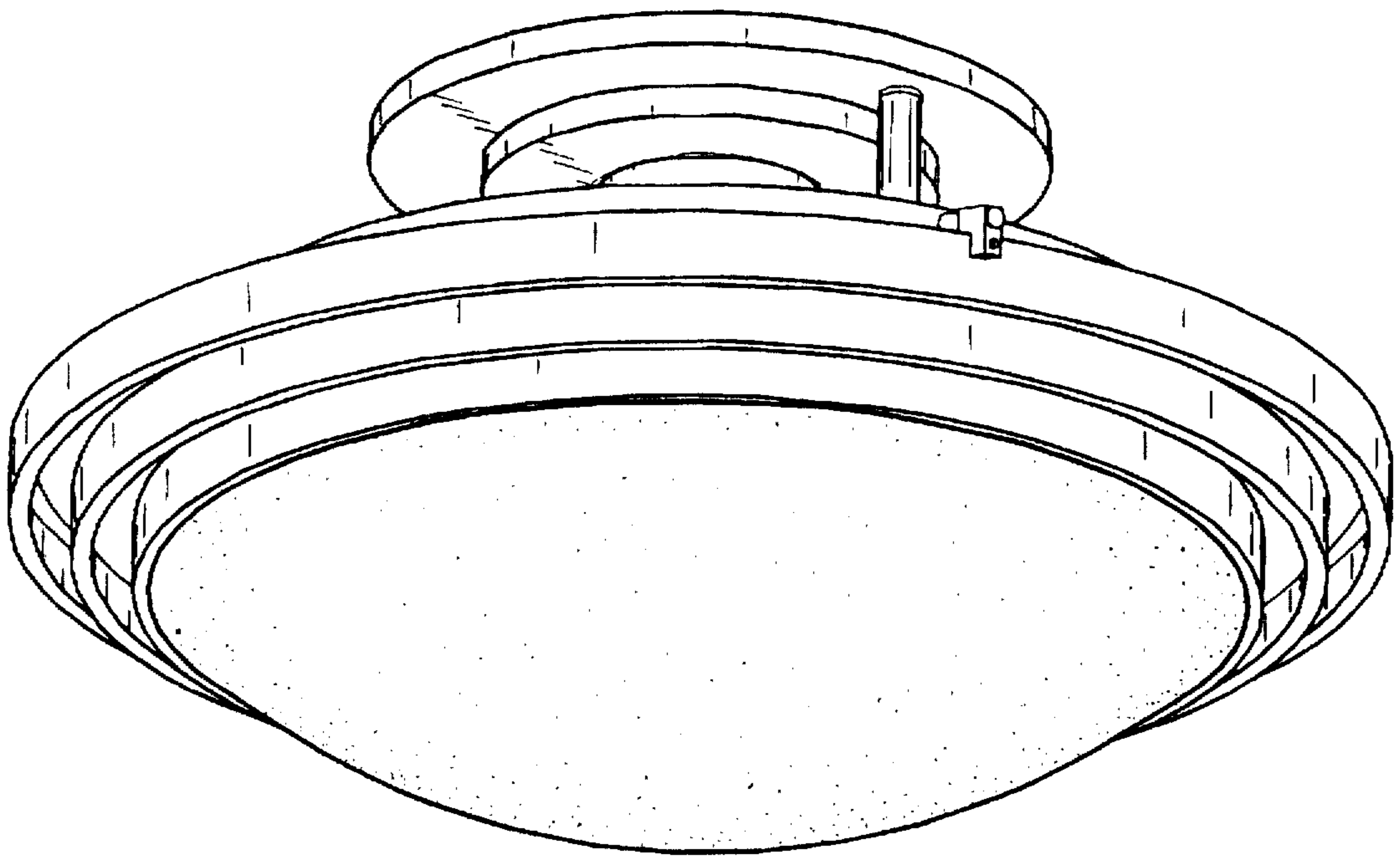


FIG. 7