



US00D391658S

United States Patent [19]
Compton

[11] **Patent Number:** **Des. 391,658**
[45] **Date of Patent:** ****Mar. 3, 1998**

- [54] **LUMINAIRE**
- [75] **Inventor:** **Wayne W. Compton**, Chino Hills, Calif.
- [73] **Assignee:** **Kim Lighting Inc.**, City of Industry, Calif.
- [**] **Term:** **14 Years**
- [21] **Appl. No.:** **56,017**
- [22] **Filed:** **Jun. 19, 1996**
- [51] **LOC (6) Cl.** **26-03**
- [52] **U.S. Cl.** **D26/68**
- [58] **Field of Search** **D26/67-71; 362/153, 362/153.1, 431, 367**

Original Brochure—WTC Wide Throw Cutoff—Kim Lighting, Jan. 1995.
 1 page, Spaulding Lighting, Inc. re Concord Round, prior to filing date.
 1 page, Lithonia Lighting re Site Lighting KKR, prior to filing date.
 1 page, Emco re RC Luminaires, prior to filing date.

Primary Examiner—Susan J. Lucas
Attorney, Agent, or Firm—Lyon & Lyon LLP

[57] **CLAIM**

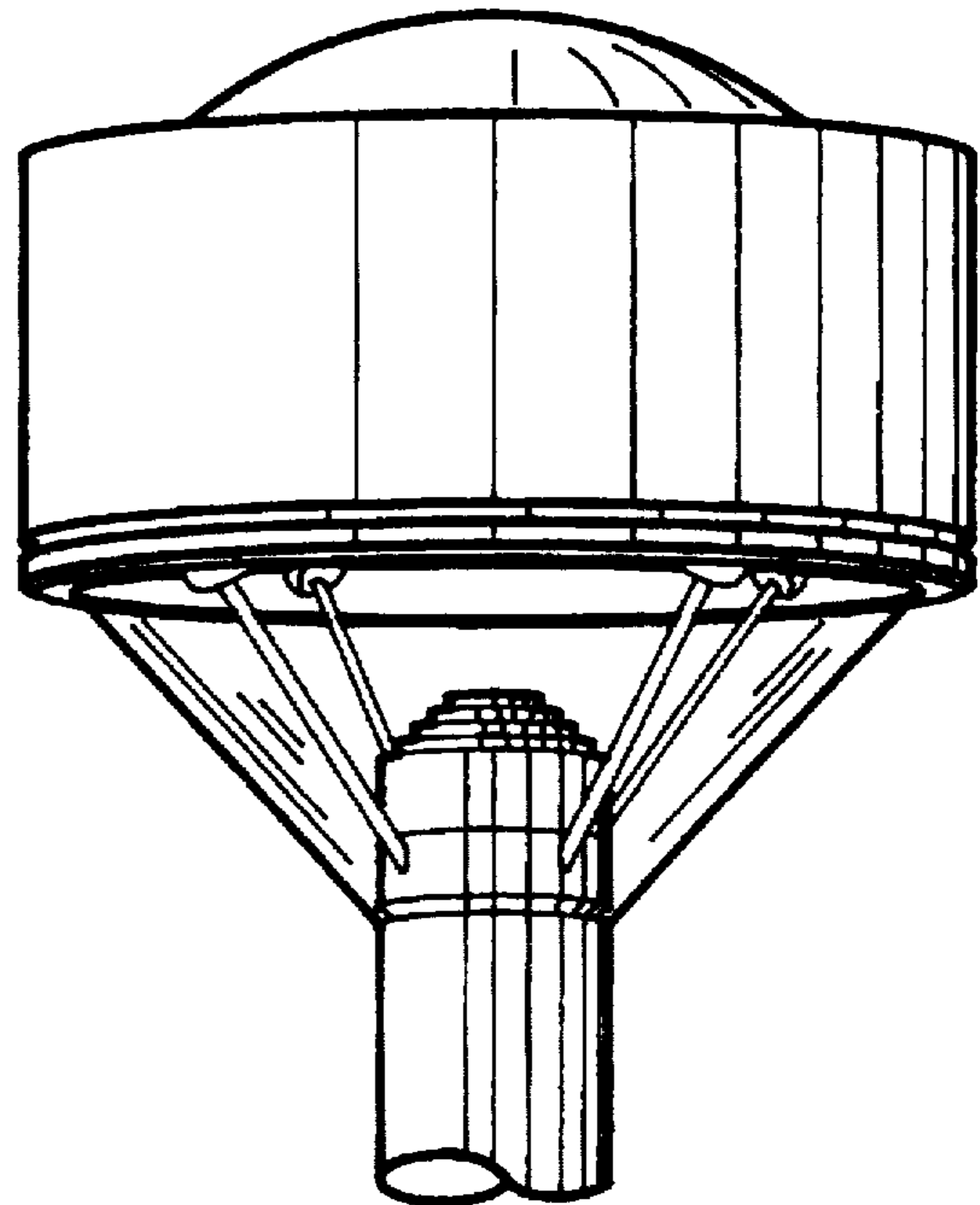
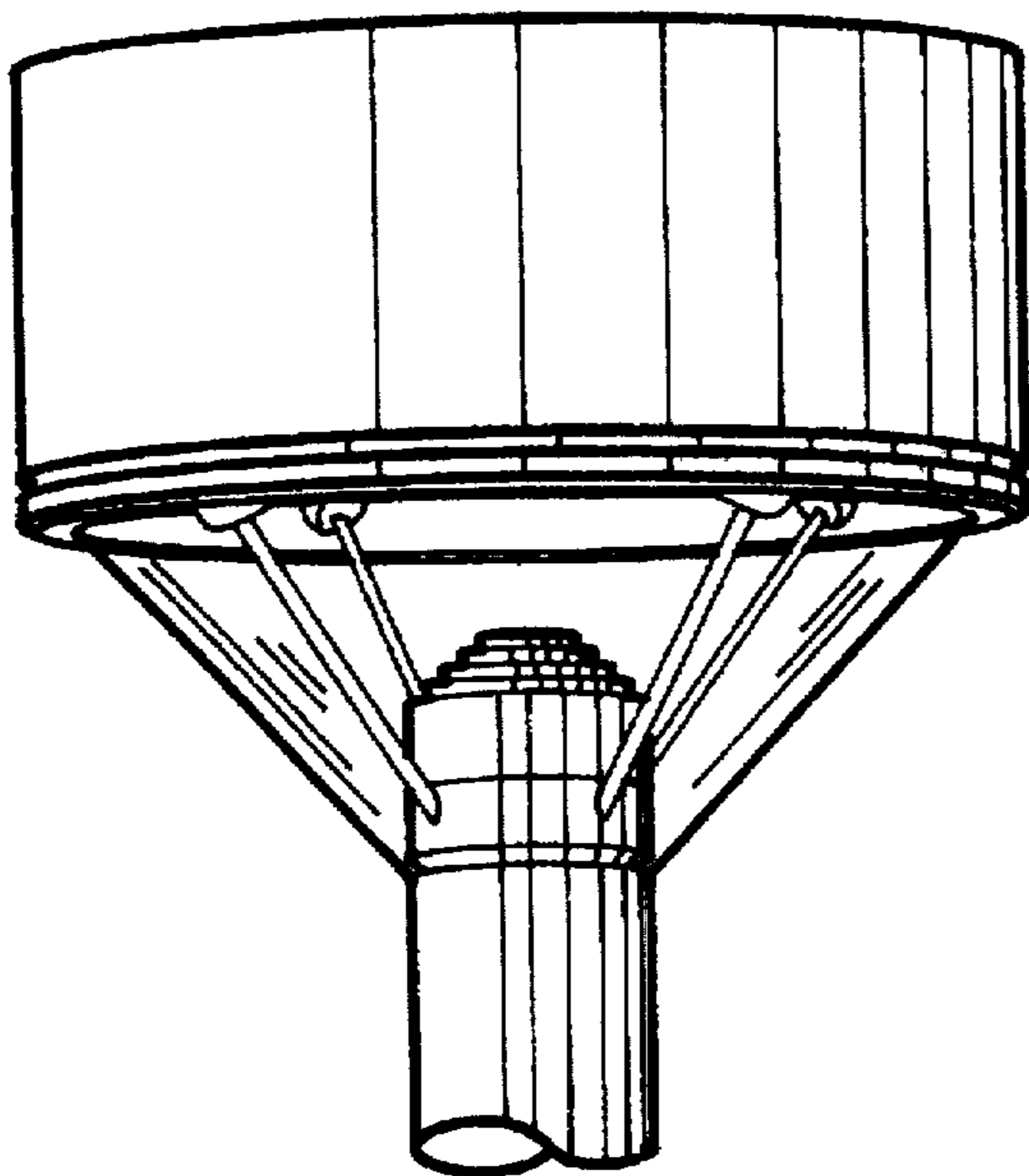
The ornamental design for a luminaire, as shown and described.

DESCRIPTION

FIG. 1 is a top plan view of the design;
 FIG. 2 is a side elevational view;
 FIG. 3 is a bottom view;
 FIG. 4 is a perspective view;
 FIG. 5 is a top plan view of a second embodiment of the new design; and,
 FIGS. 6, 7 and 8 are respectively side, bottom and perspective views of the second embodiment.

- [56] **References Cited**
- U.S. PATENT DOCUMENTS**
- D. 290,408 6/1987 Gendron et al. D26/67
- D. 358,898 5/1995 Compton D26/67
- OTHER PUBLICATIONS**
- Custom Lighting Inc. Ad, Single Sheet, p. 1, Exterior light, CL-Phoebe, Dec. 1984.
- Copy of Brochure—WTC Wide Throw Cut-Off—Kim Lighting, 1976.

1 Claim, 2 Drawing Sheets



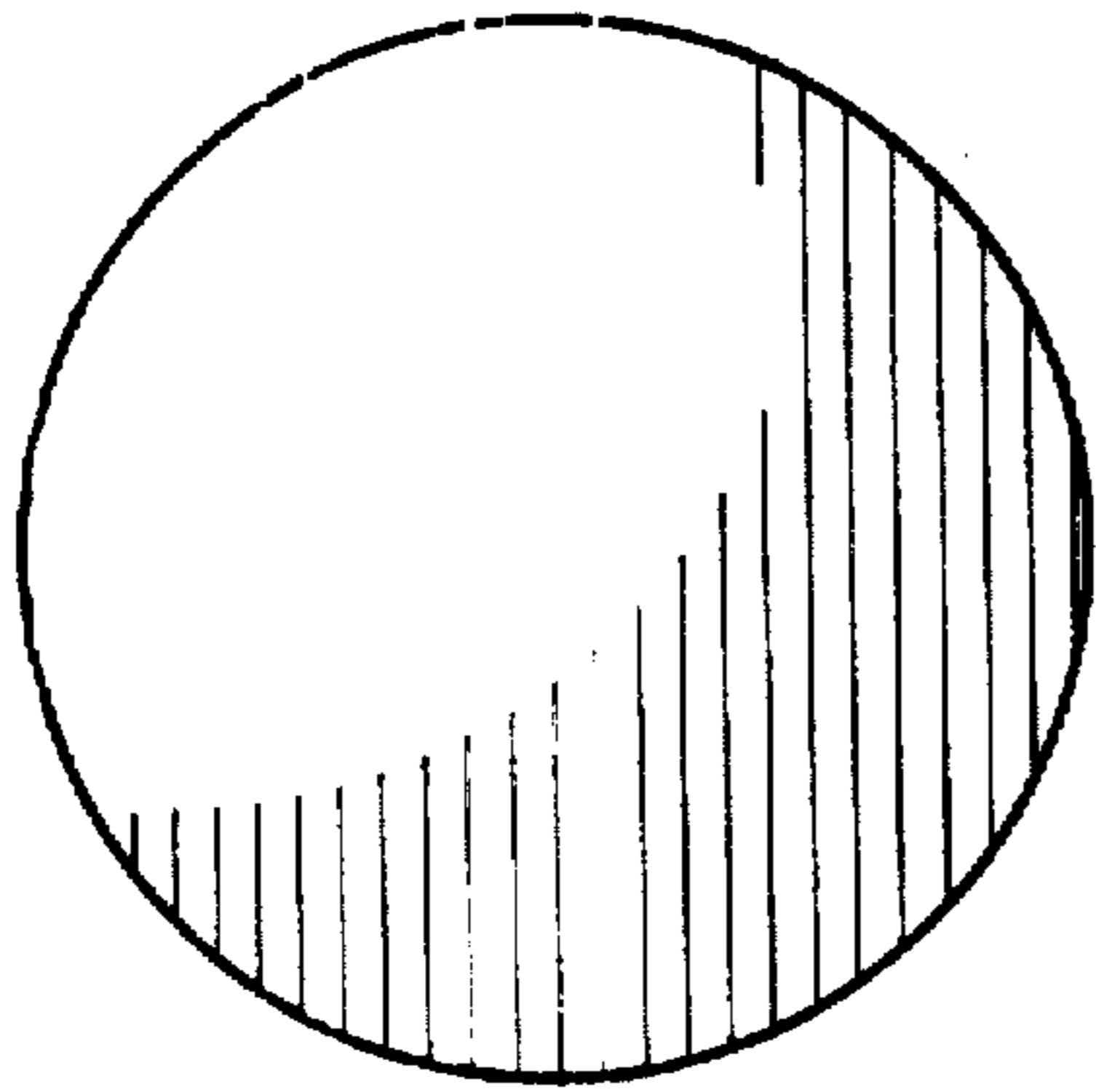


FIG. 1

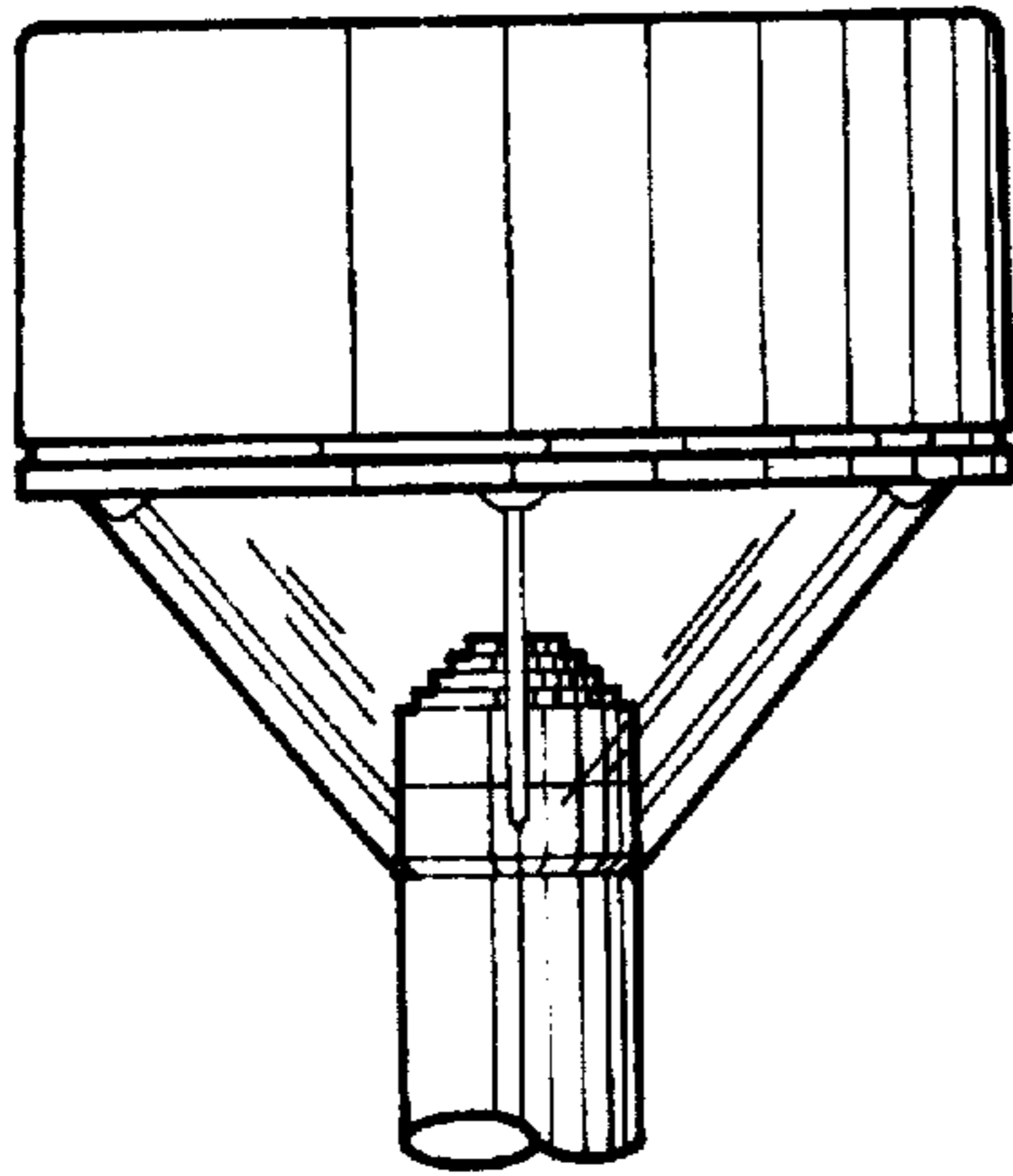


FIG. 2

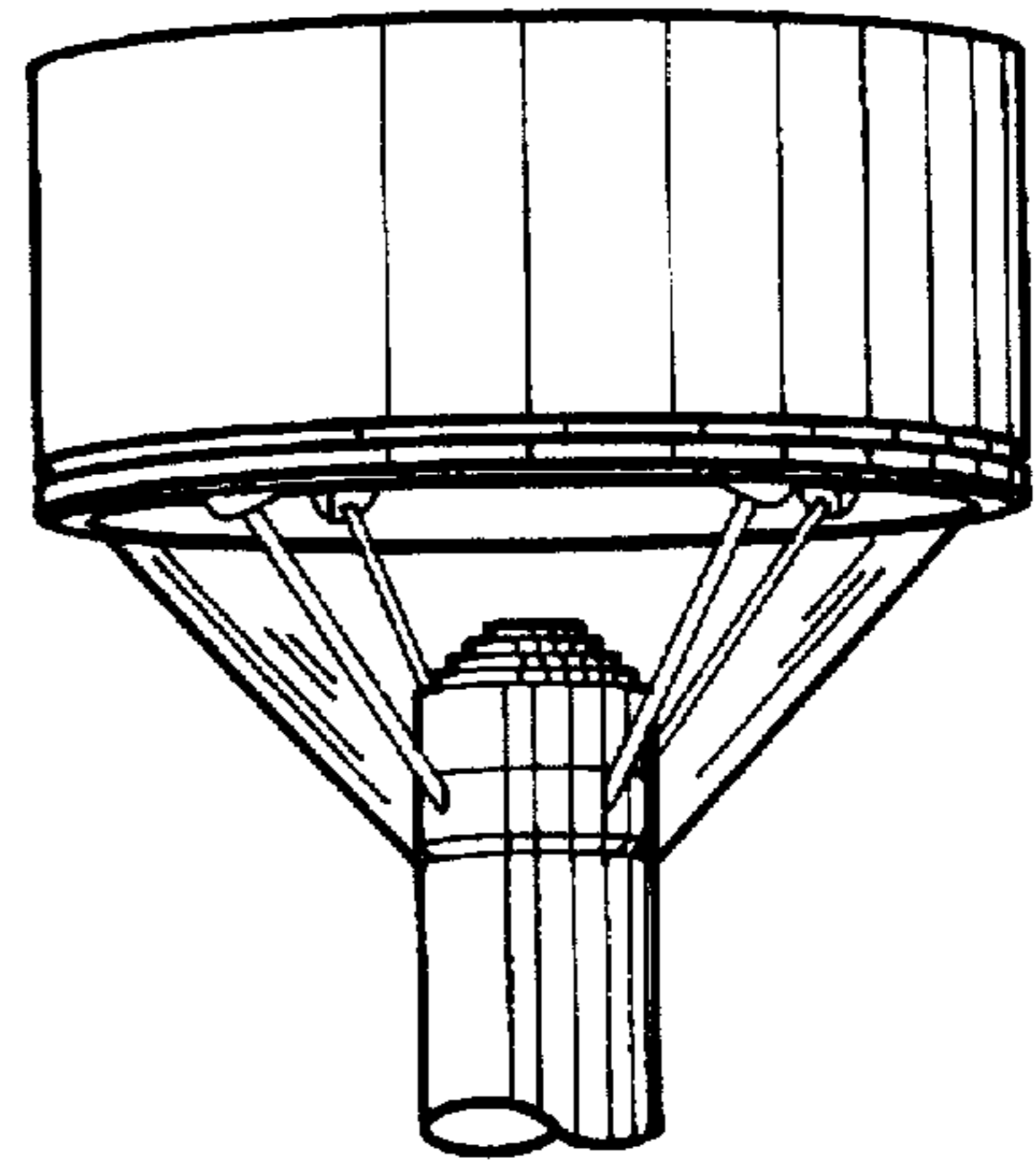


FIG. 4

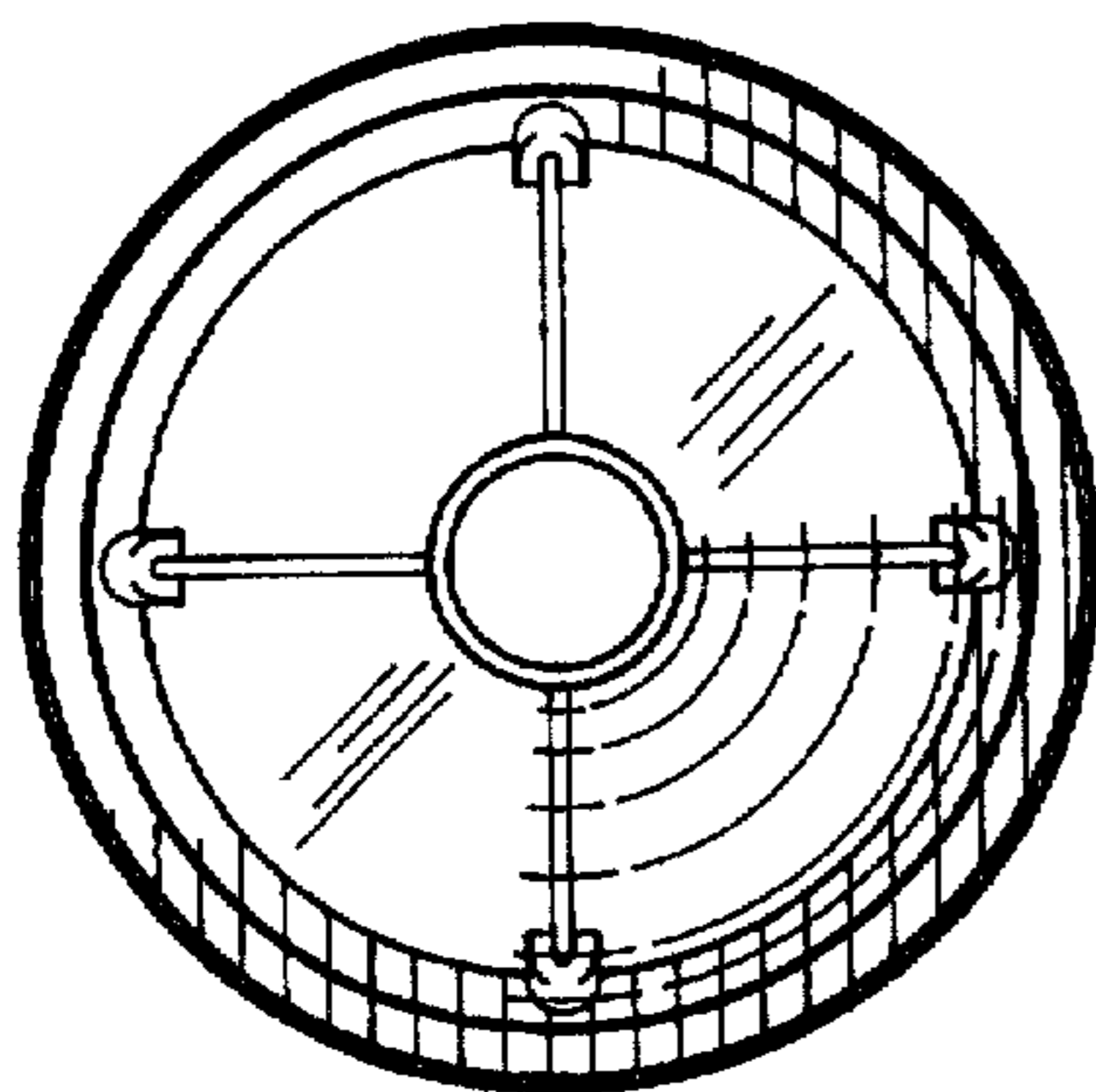


FIG. 3

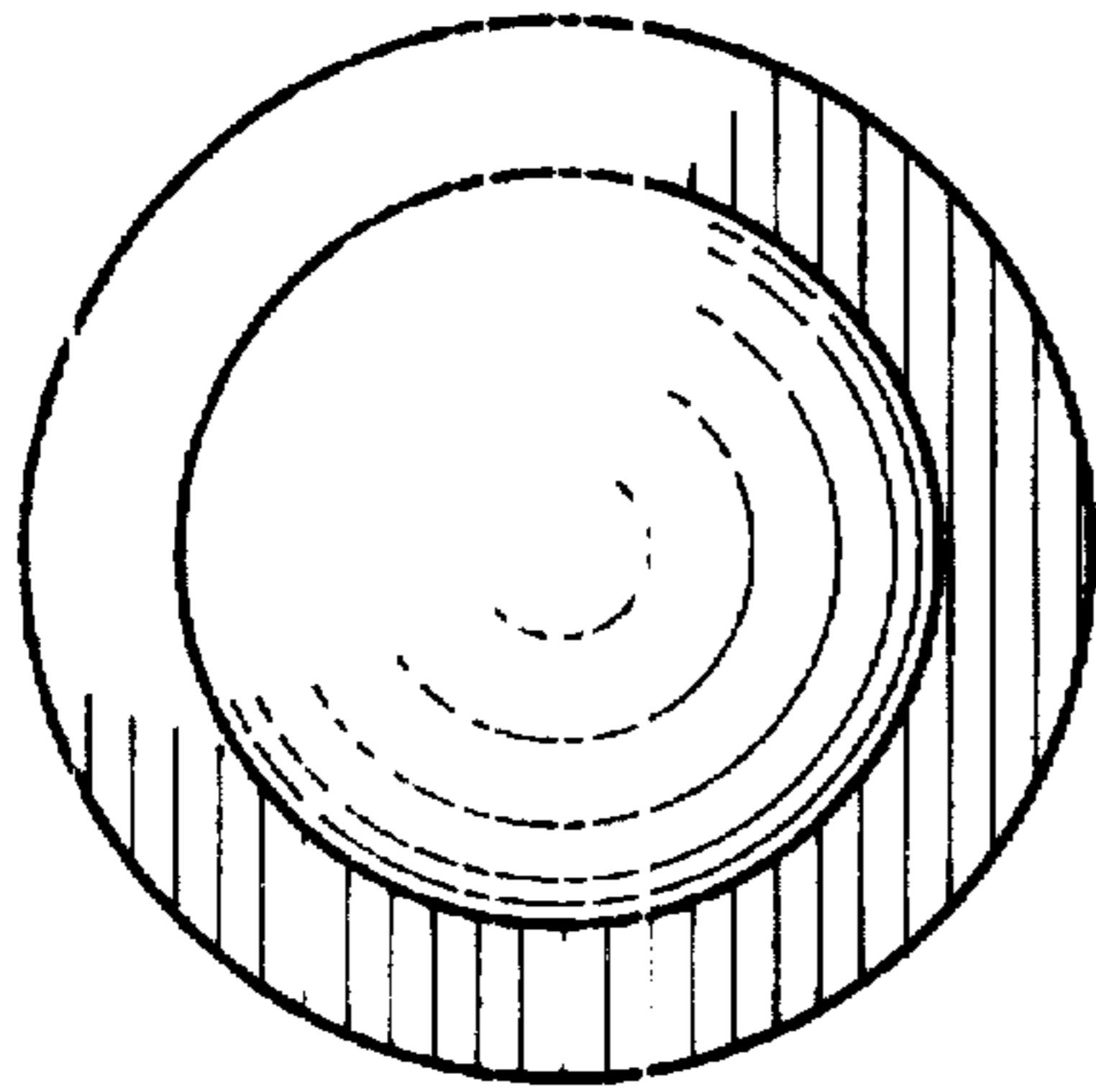


FIG. 5

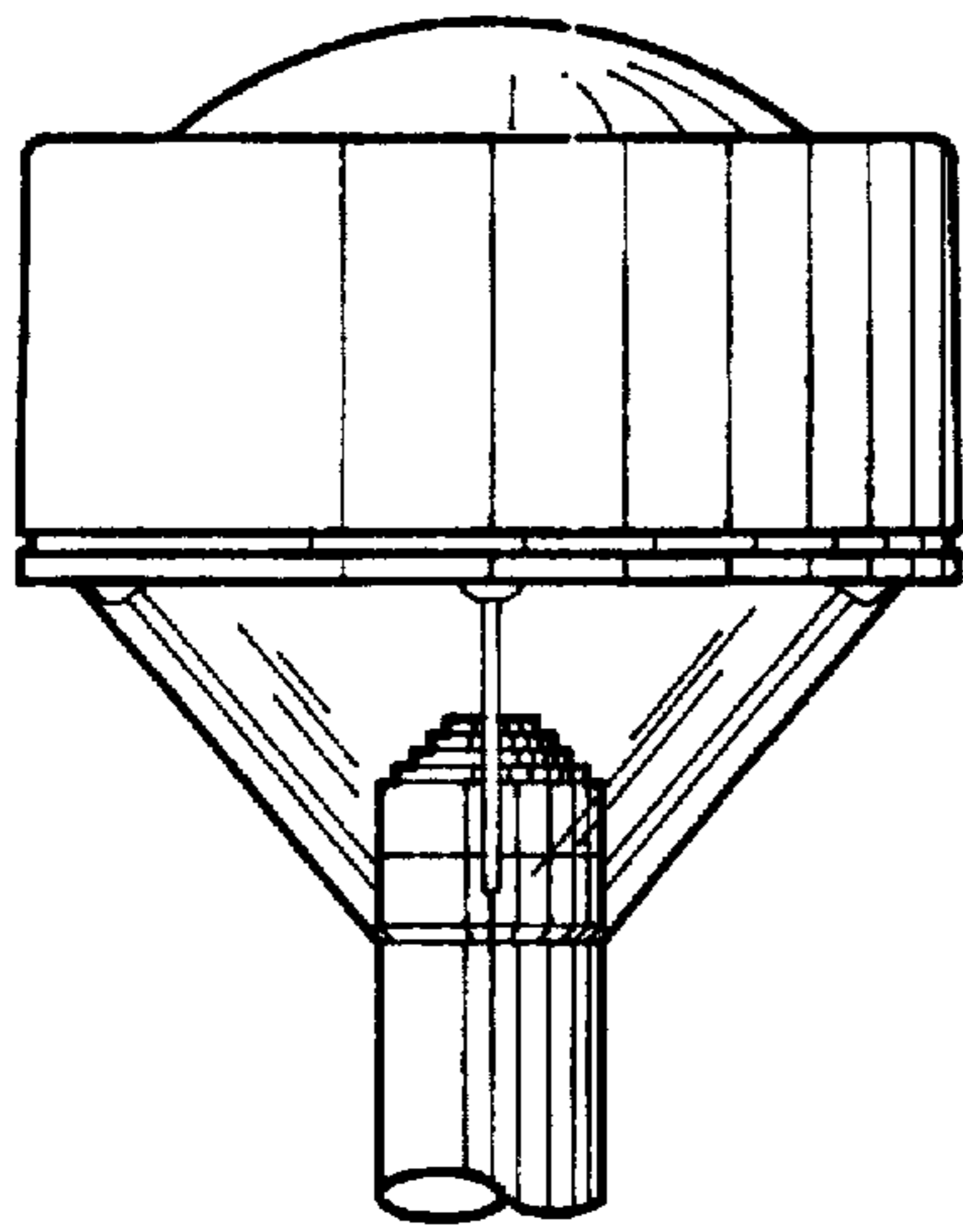


FIG. 6

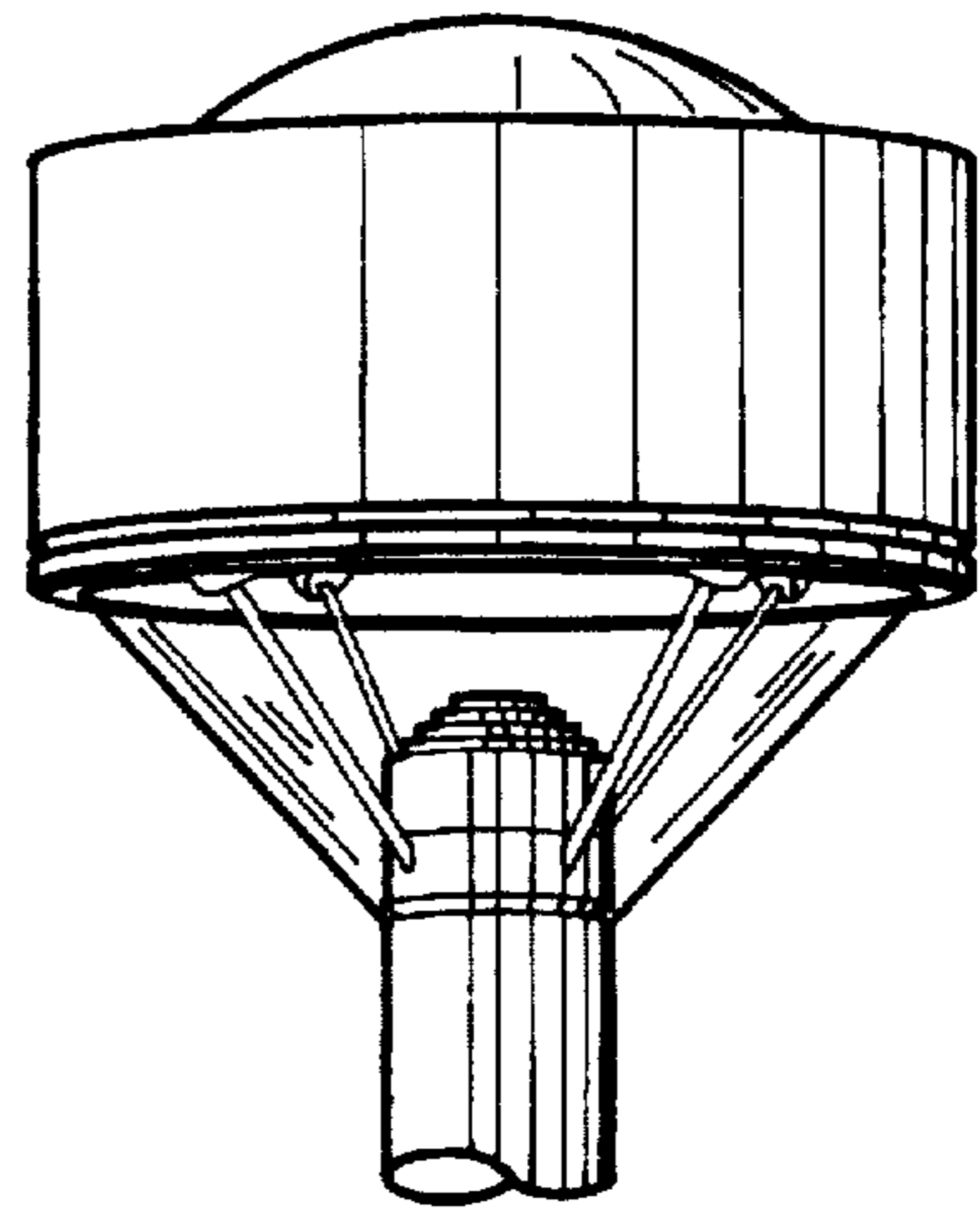


FIG. 8

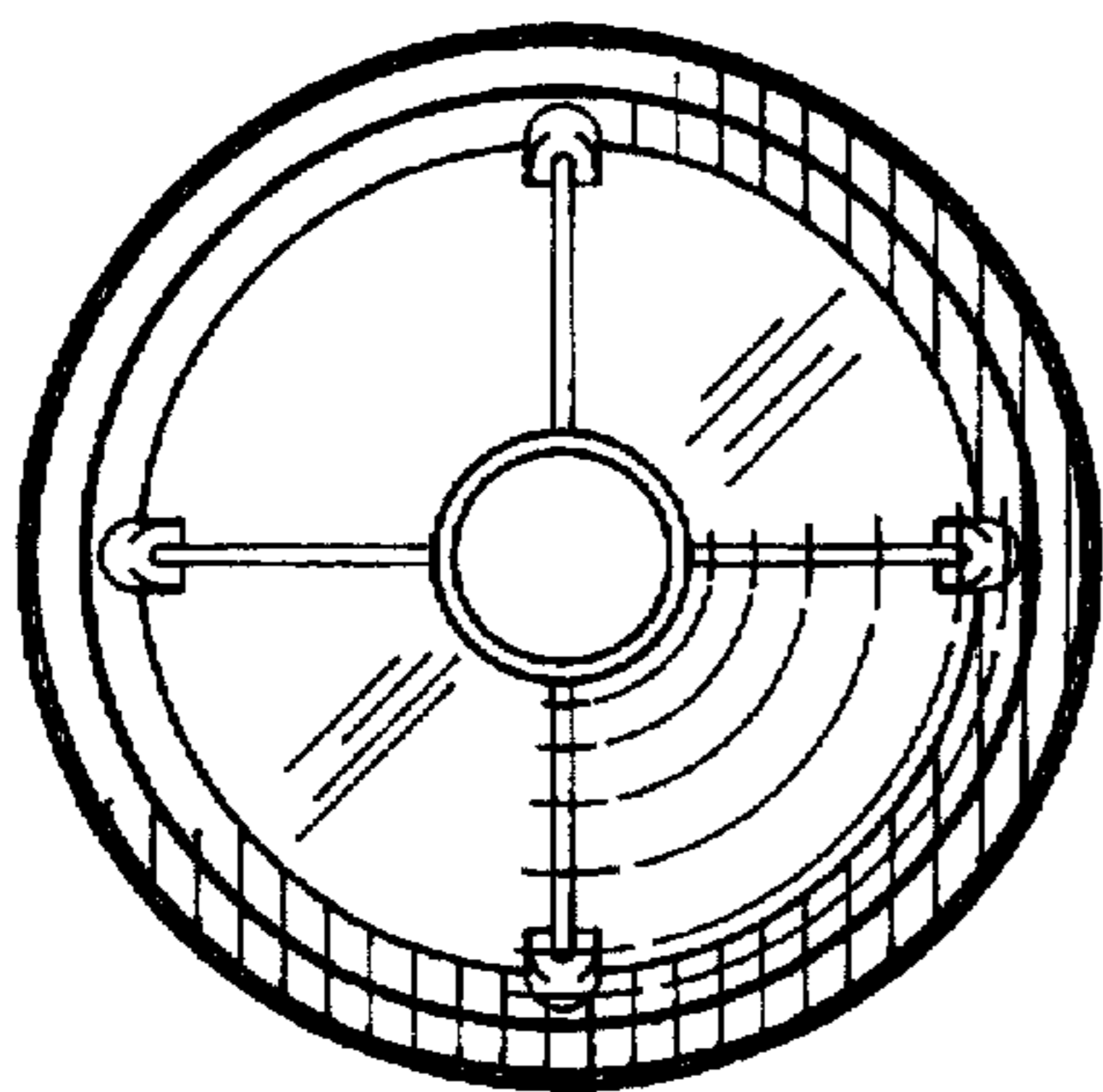


FIG. 7