



US00D391657S

United States Patent [19] Compton

[11] Patent Number: **Des. 391,657**
[45] Date of Patent: ****Mar. 3, 1998**

- [54] LUMINAIRE
- [75] Inventor: **Wayne W. Compton**, Chino Hills, Calif.
- [73] Assignee: **Kim Lighting Inc.**, City of Industry, Calif.
- [**] Term: **14 Years**
- [21] Appl. No.: **56,015**
- [22] Filed: **Jun. 19, 1996**
- [51] LOC (6) Cl. **26-03**
- [52] U.S. Cl. **D26/68**
- [58] Field of Search D26/67-71; 362/153, 362/153.1, 431, 367

- [56] **References Cited**
- U.S. PATENT DOCUMENTS**
- D. 290,408 6/1987 Gendron et al. D26/67
- D. 358,898 5/1995 Compton D26/67
- OTHER PUBLICATIONS**
- Custom Lighting Inc. AD, Single Sheet, p. 1, Exterior Light, CL-Phoebe, Dec. 1984.
- Copy of Brochure—WTC Wide Throw Cut-Off—Kim Lighting, 1976.

Original Brochure—WTC Wide Throw Cutoff—Kim Lighting, Jan. 1995.
 1 Page, Spaulding Lighting, Inc. re Concord Round prior to filing date.
 1 Page, Lithonia Lighting re Site Lighting KKR prior to filing date.
 1 page, Emco re RC Luminaires prior to filing date.

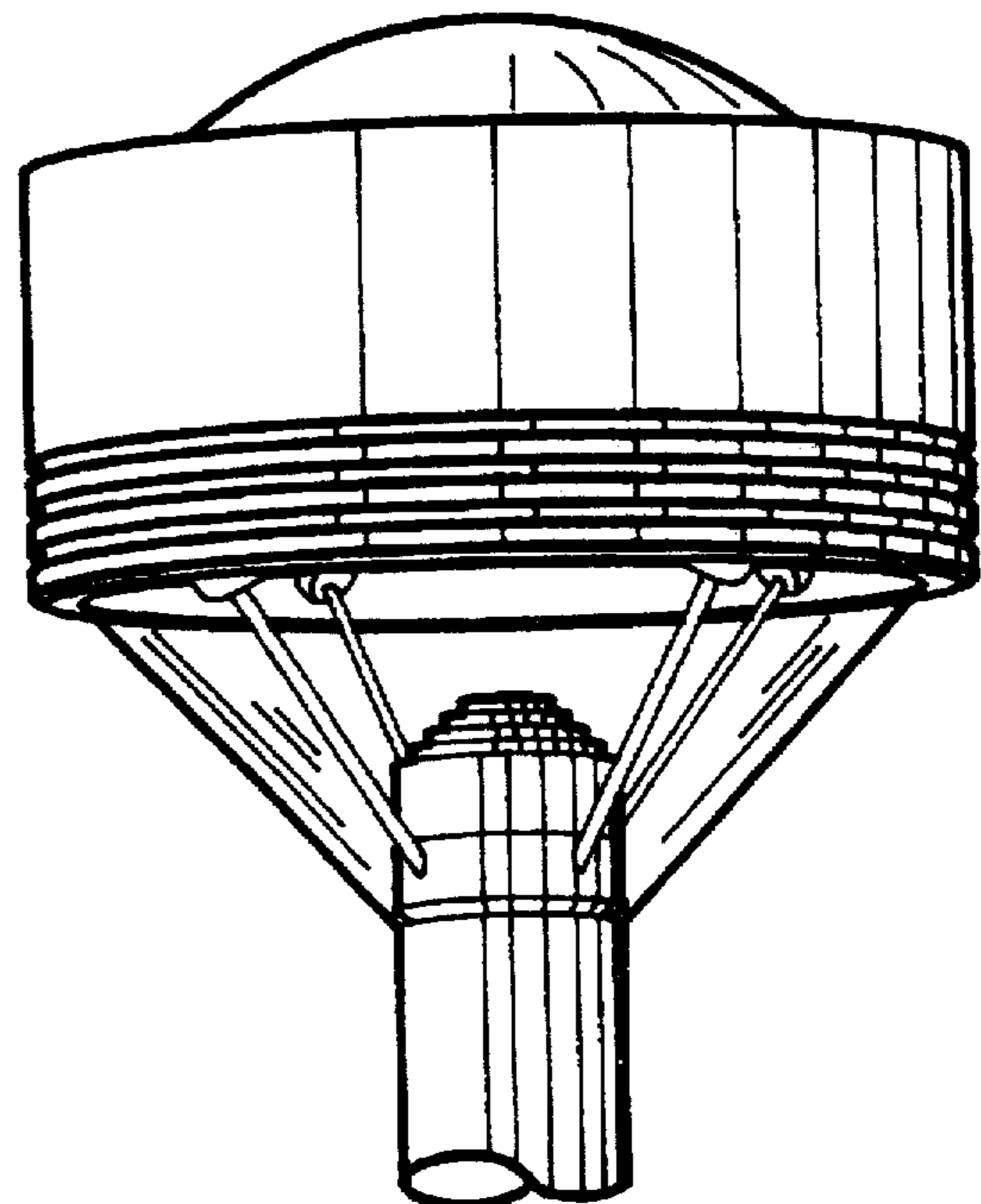
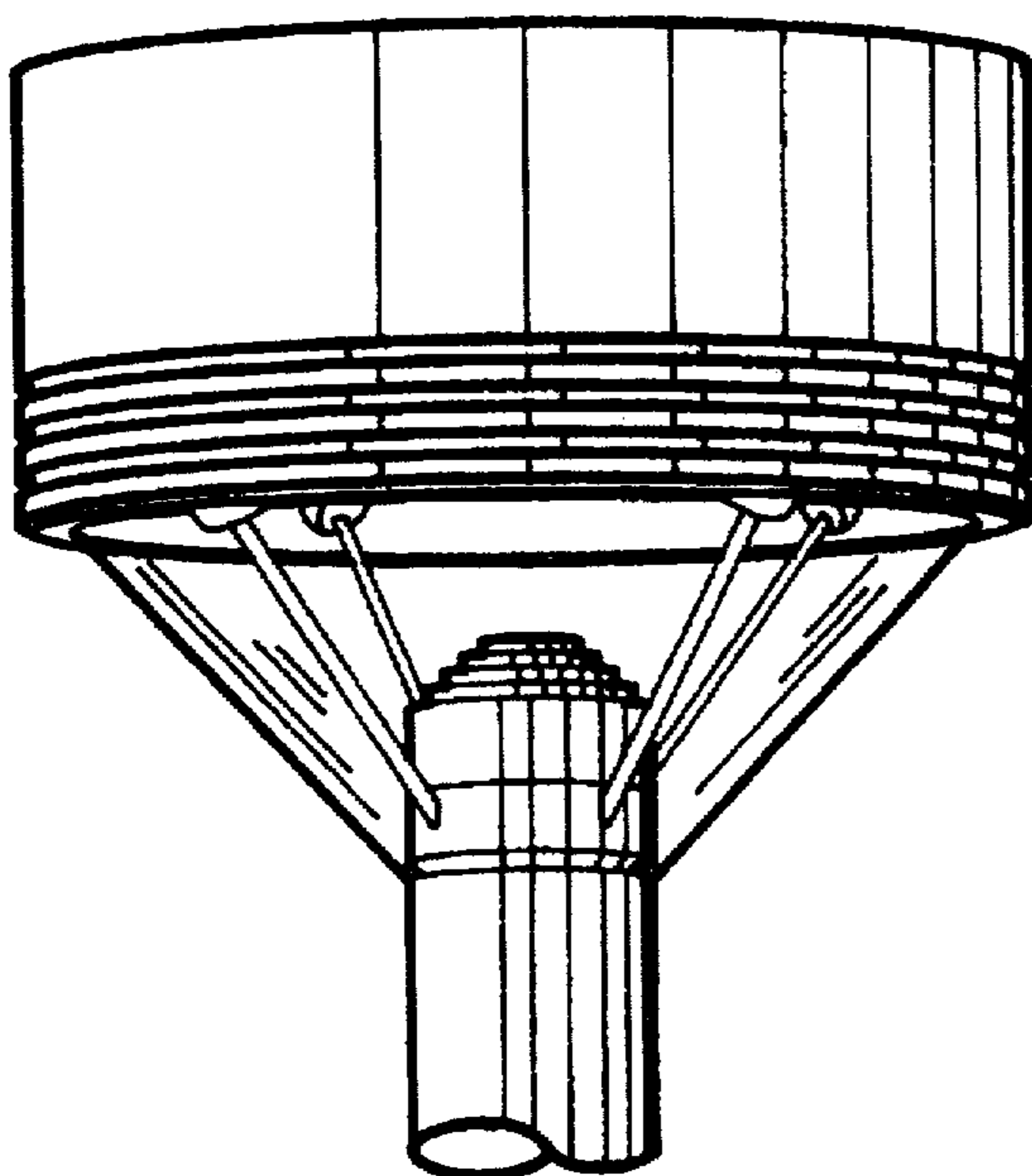
Primary Examiner—Susan J. Lucas
Attorney, Agent, or Firm—Lyon & Lyon LLP

[57] **CLAIM**
 The ornamental design for a luminaire, as shown and described.

DESCRIPTION

FIG. 1 is a top plan view of the design;
 FIG. 2 is a side elevational view;
 FIG. 3 is a bottom view;
 FIG. 4 is a perspective view;
 FIG. 5 is a top plan view of a second embodiment of the new design; and,
 FIGS. 6, 7 and 8 are respectively side, bottom and perspective views of the second embodiment.

1 Claim, 2 Drawing Sheets



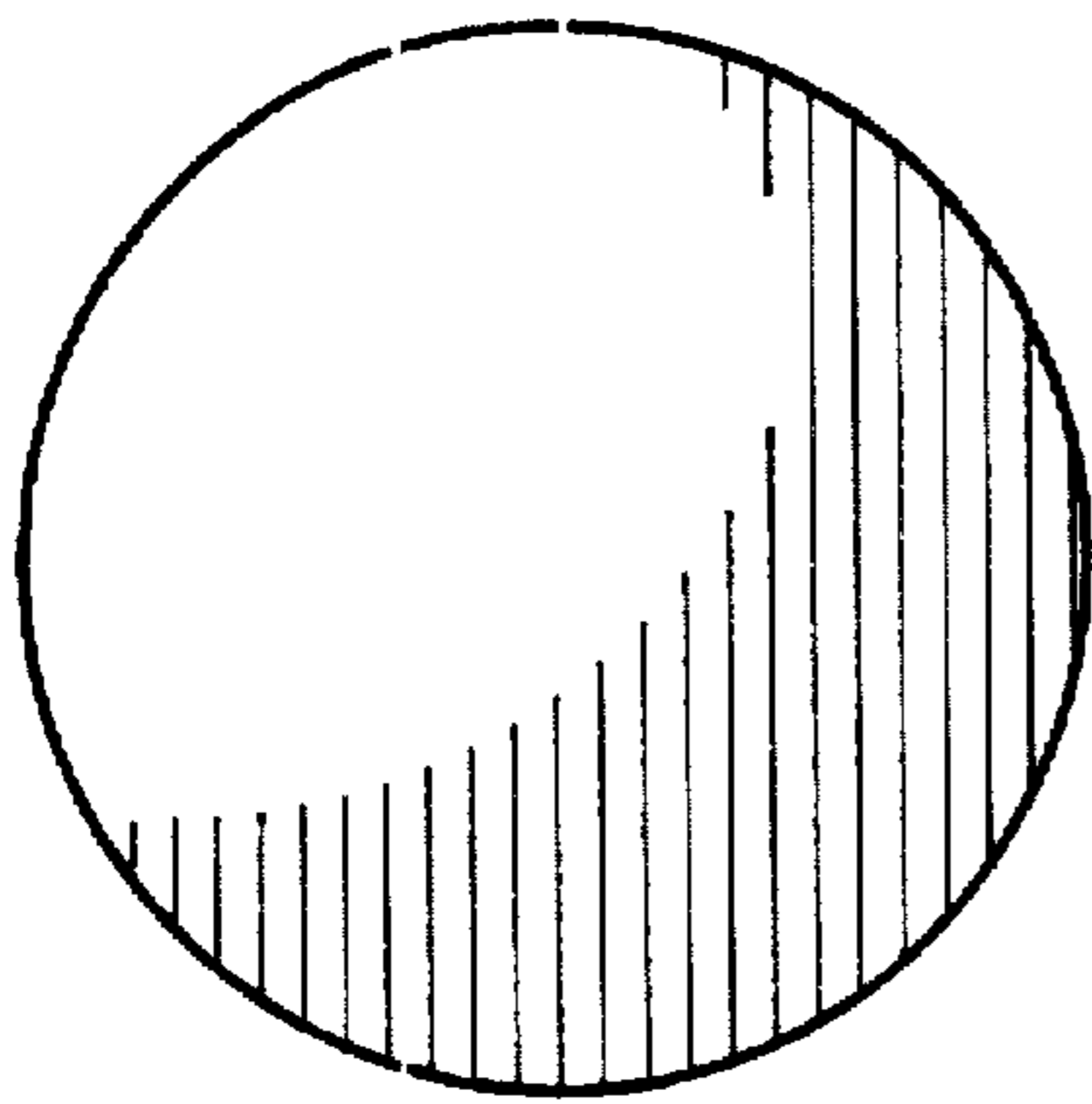


FIG. 1

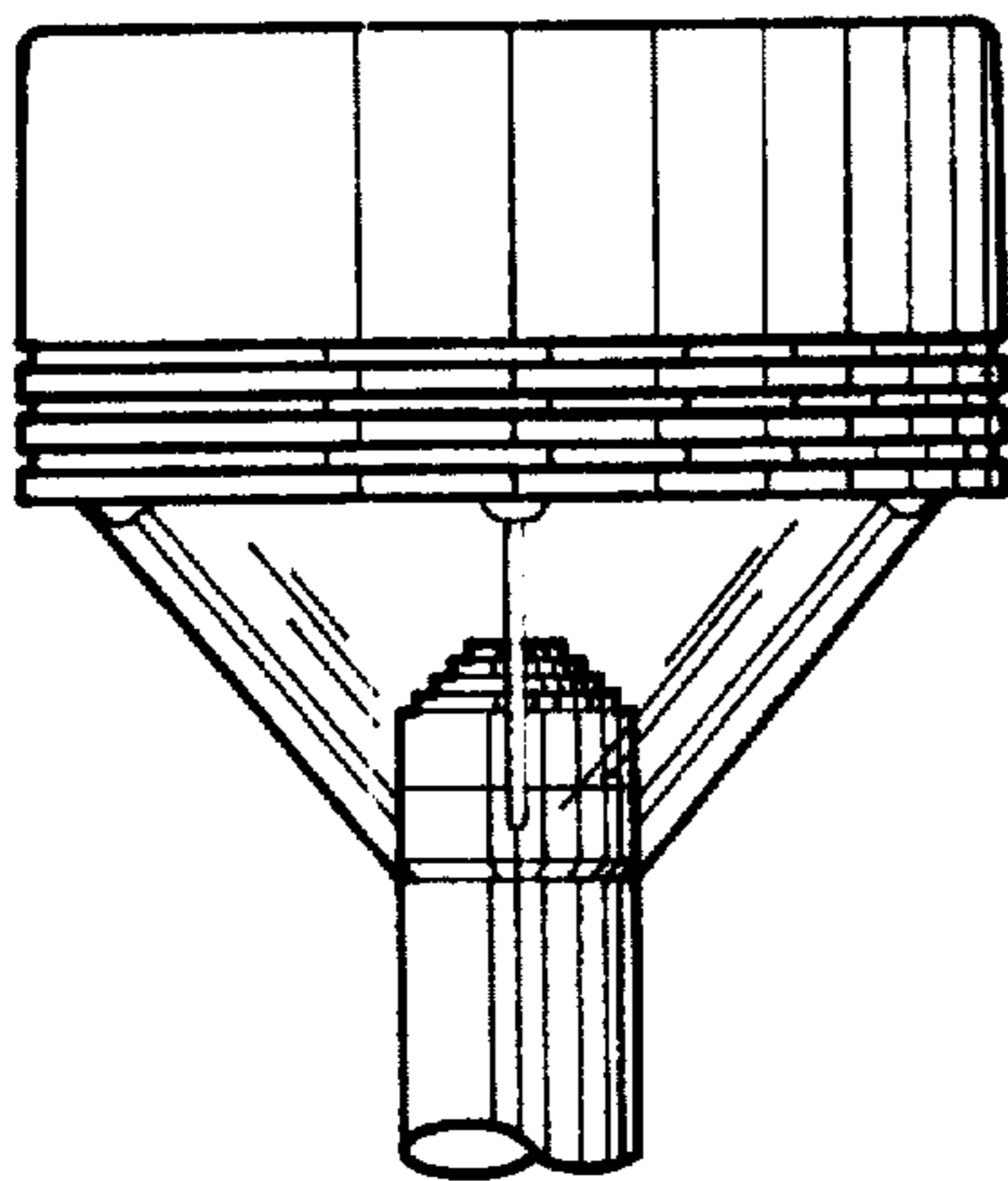


FIG. 2

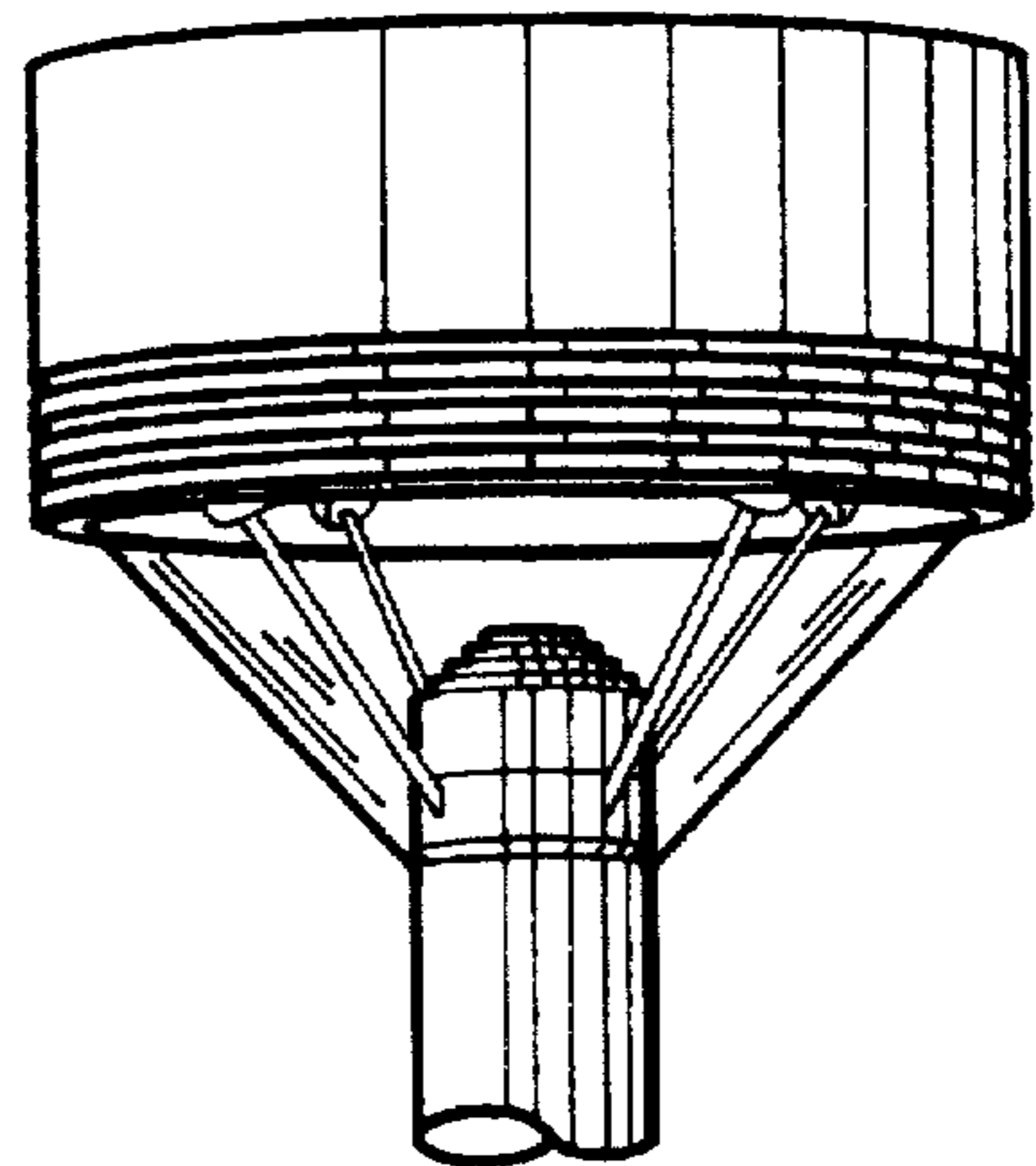


FIG. 4

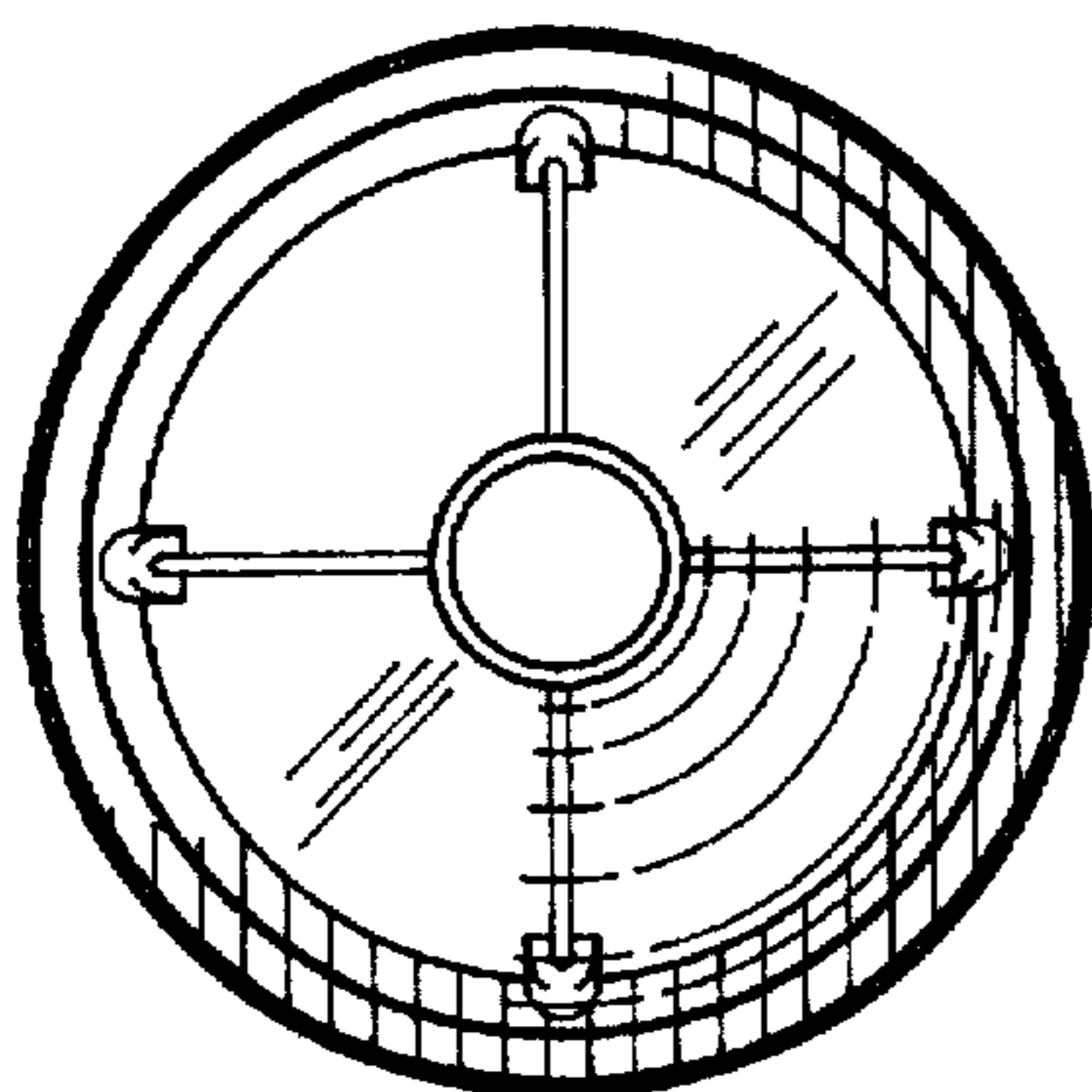


FIG. 3

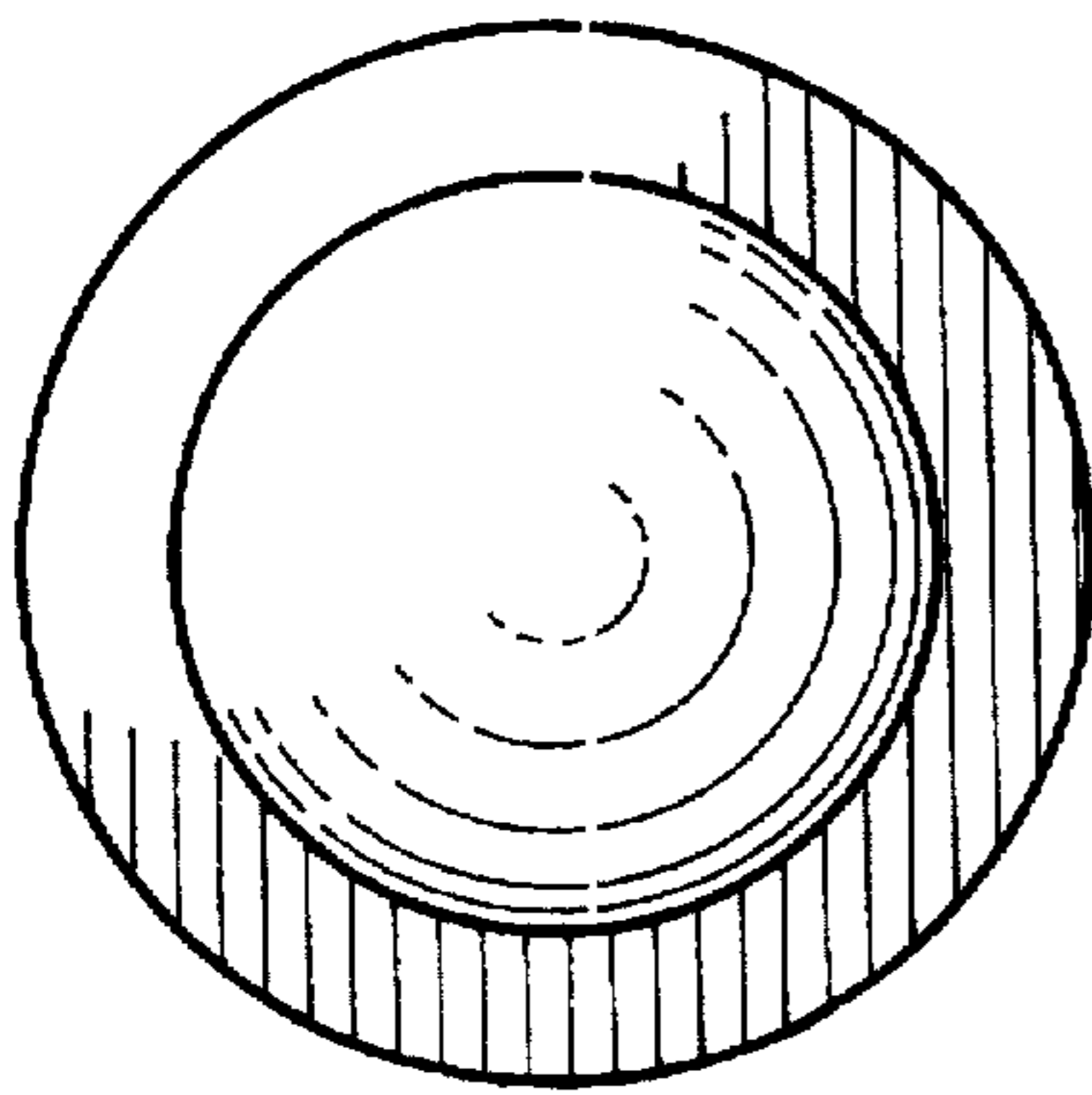


FIG. 5

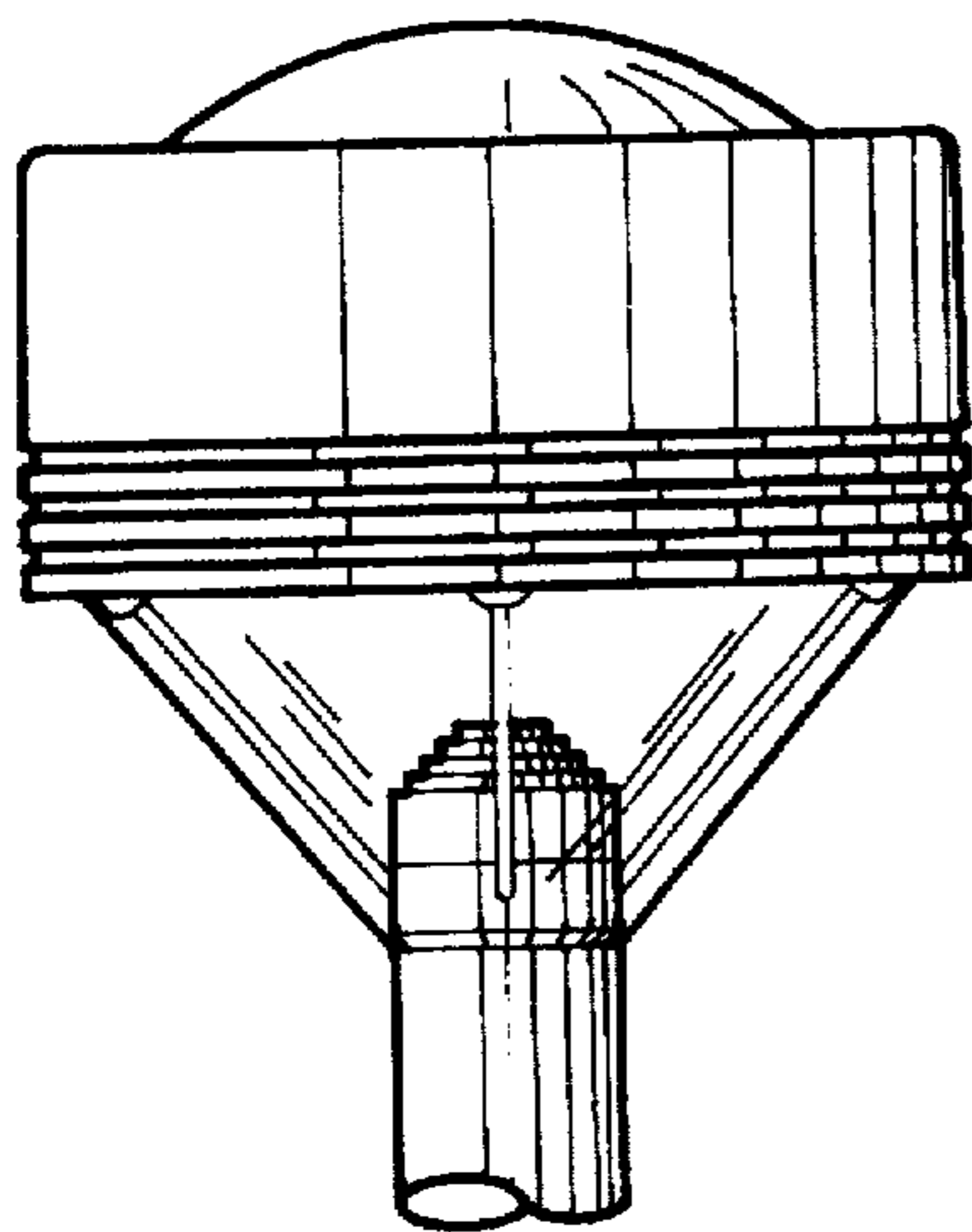


FIG. 6

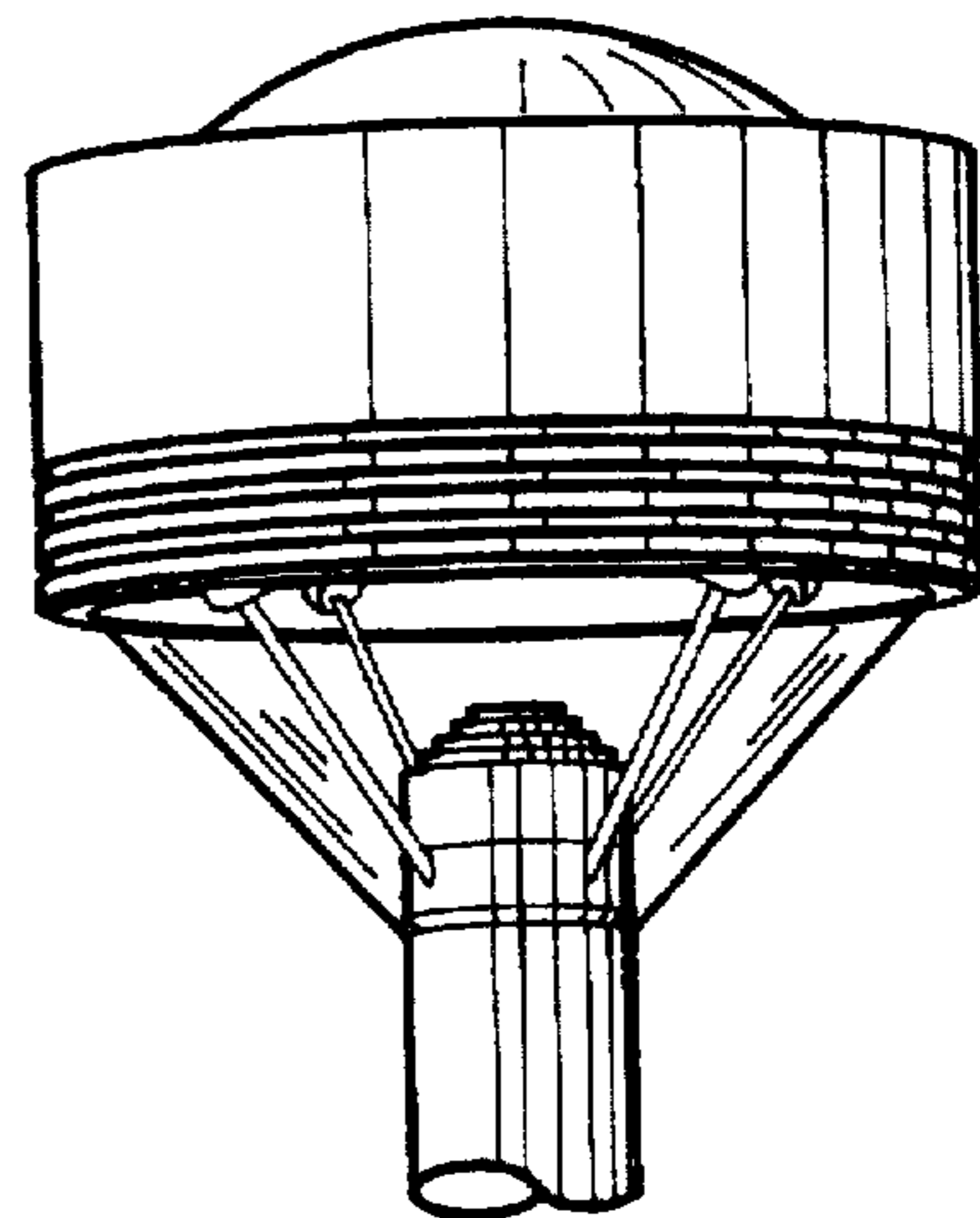


FIG. 8

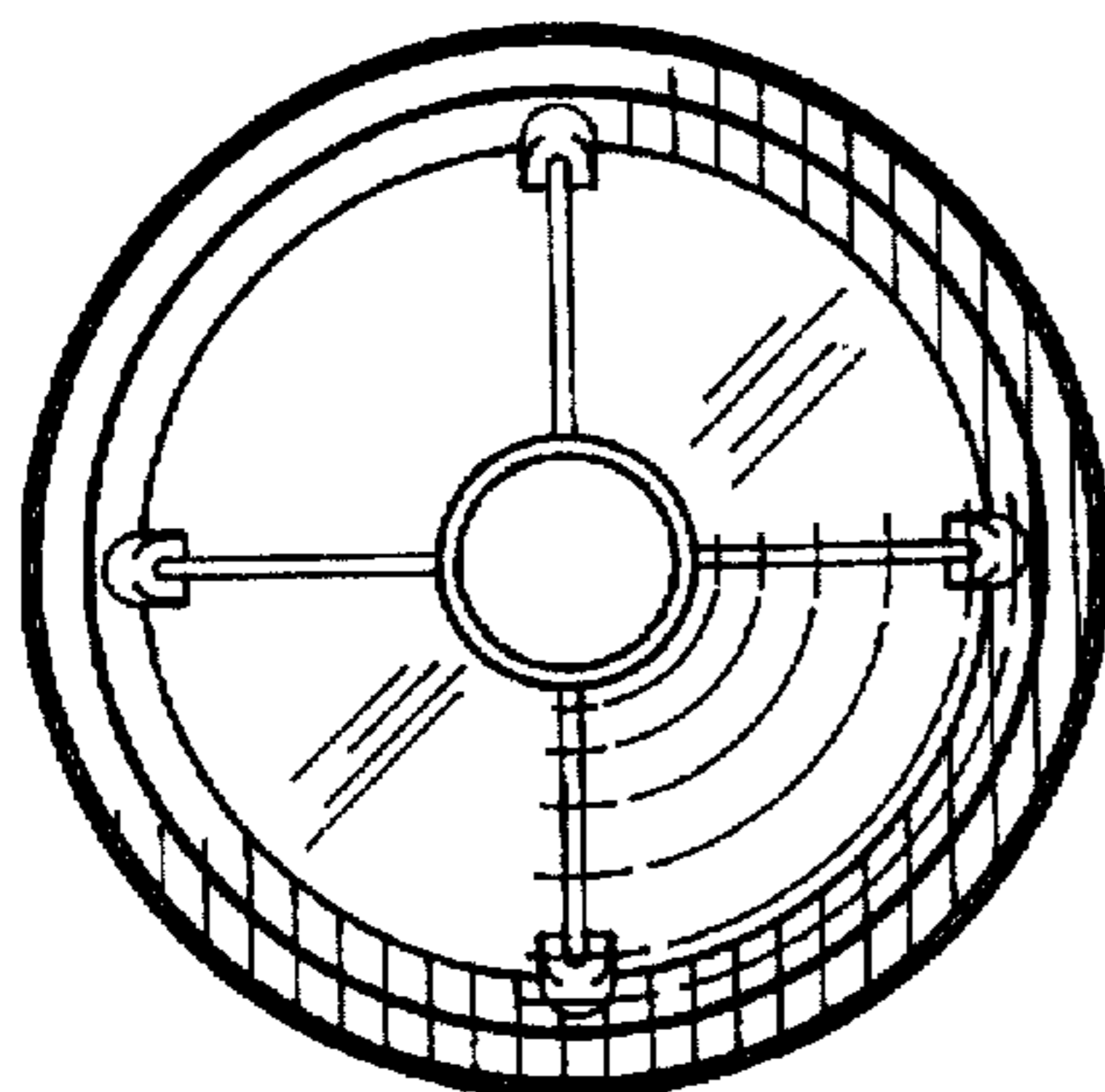


FIG. 7