



US00D391654S

United States Patent [19]
Matthes et al.

[11] **Patent Number:** **Des. 391,654**
[45] **Date of Patent:** ****Mar. 3, 1998**

[54] **FLASHLIGHT**

[75] **Inventors:** **Robert W. Matthes; Richard K. Pallo,**
both of Buckingham, Pa.; **Scott D. Price,**
Singapore, Singapore; **Roger Q. Smith,**
Reisterstown, Md.; **Velissa Van Scoyoc,**
Pottstown, Pa.

[73] **Assignee:** **Black & Decker Inc.,** Newark, Del.

[**] **Term:** **14 Years**

[21] **Appl. No.:** **72,831**

[22] **Filed:** **Jun. 25, 1997**

Related U.S. Application Data

[63] Continuation of Ser. No. 57,931, Aug. 5, 1996, abandoned.

[51] **LOC (6) Cl.** **26-02**

[52] **U.S. Cl.** **D26/37**

[58] **Field of Search** **D26/37-50; 362/157,**
362/158, 171, 172, 178, 181, 183, 192,
194, 196, 197, 200-206

[56] **References Cited**

U.S. PATENT DOCUMENTS

- D. 128,638 8/1941 Muldoon .
- D. 139,550 11/1944 Kinney, Jr. .
- D. 142,277 8/1945 Lippincott .
- D. 144,946 6/1946 Stegman D26/50
- D. 153,282 4/1949 Haas .
- D. 199,264 9/1964 Doring .
- D. 216,735 3/1970 Brindley .
- D. 230,068 1/1974 Numbers .
- D. 263,170 2/1982 Maglica .
- D. 276,375 11/1984 Fenne .
- D. 285,356 8/1986 Schosser et al. .
- D. 287,642 1/1987 Kung .
- D. 290,517 6/1987 Smith .
- D. 295,561 5/1988 Hsiao .
- D. 303,846 10/1989 Parker .
- D. 307,488 4/1990 Sharrah .
- D. 308,253 5/1990 Battles et al. .
- D. 308,254 5/1990 Ohashi D26/42

(List continued on next page.)

FOREIGN PATENT DOCUMENTS

- DM010253 2/1988 Germany .
- M9102122 11/1991 Germany .
- M9104906 2/1992 Germany .
- M9206121 6/1993 Germany .
- M9504099 1/1996 Germany .

Primary Examiner—Marcus A. Jackson

Attorney, Agent, or Firm—Bruce S. Shapiro; Dennis A. Dearing; John D. Del Ponti

[57] **CLAIM**

The ornamental design for a flashlight, as shown and described.

DESCRIPTION

FIG. 1 is a perspective view according to a first embodiment of a flashlight showing our new design;

FIG. 2 is a front elevational view according to a first embodiment;

FIG. 3 is a rear elevational view according to a first embodiment;

FIG. 4 is a top plan view according to a first embodiment;

FIG. 5 is a bottom plan view according to a first embodiment;

FIG. 6 is a left side elevational view according to a first embodiment;

FIG. 7 is a right side elevational view according to a first embodiment;

In the first embodiment of FIGS. 1-7, the battery shown in dashed line represents environment and does not form part of the invention;

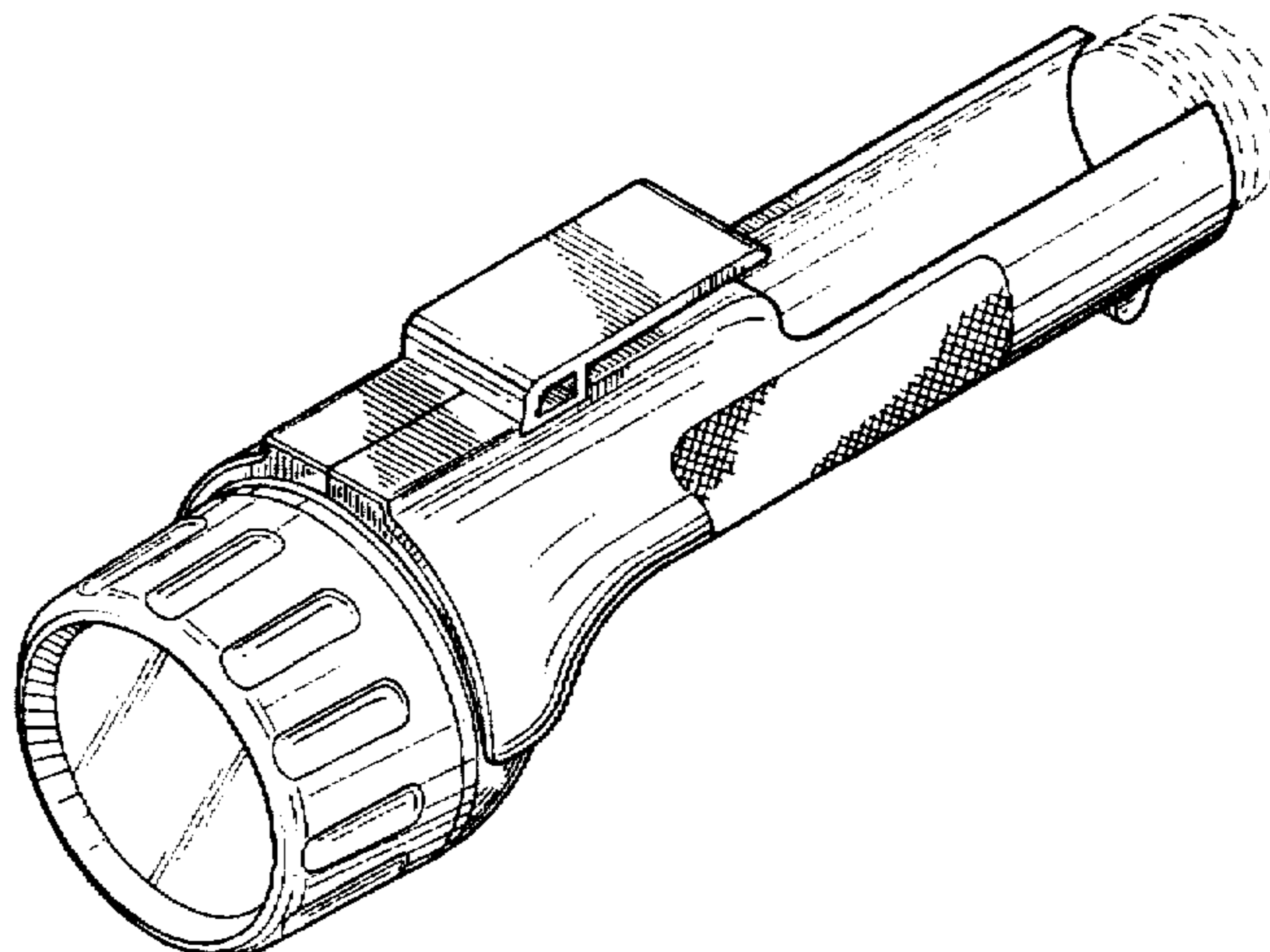
FIG. 8 is a left side elevational view of a second embodiment of a flashlight with pivoting head showing our new design;

FIG. 9 is a rear elevational view according to a second embodiment; and,

In the second embodiment of FIGS. 8-9, the battery forms part of the invention.

FIG. 10 is a left side elevational view similar to the view shown in FIG. 8 but showing an alternate orientation of the head in which the head is pivoted 90° from the position shown in FIG. 8.

1 Claim, 6 Drawing Sheets



U.S. PATENT DOCUMENTS

D. 308,257	5/1990	Staubitz et al. .	D. 351,477	10/1994	Bamber .	
D. 309,952	8/1990	Lee .	D. 355,040	1/1995	Dalton et al. .	
D. 322,141	12/1991	Yuen .	D. 360,043	7/1995	Inukai .	
D. 323,404	1/1992	Fenne .	D. 360,045	7/1995	Inukai	D26/49
D. 332,319	1/1993	Yuen .	D. 360,702	7/1995	Bamber .	
D. 332,321	1/1993	Yuen .	D. 362,319	9/1995	Bamber .	
D. 333,358	2/1993	Burns .	D. 363,136	10/1995	Poon .	
D. 333,527	2/1993	Leung .	D. 368,147	3/1996	Bamber et al. .	
D. 348,740	7/1994	Yuen .	2,510,812	6/1950	Garland et al.	D26/49
			2,934,635	4/1960	Cheng	D26/49
			5,432,689	7/1995	Sharrah et al. .	

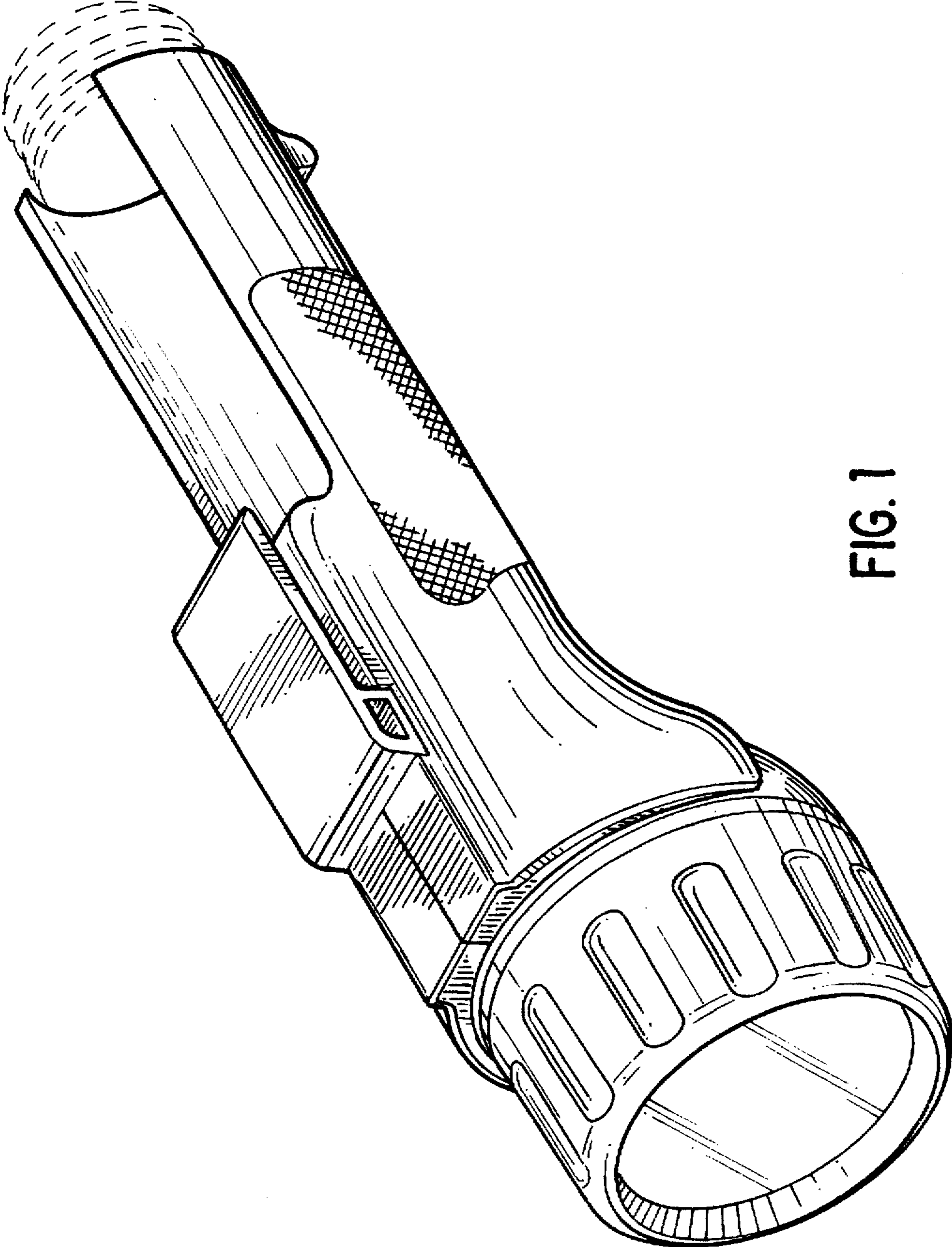


FIG. 1

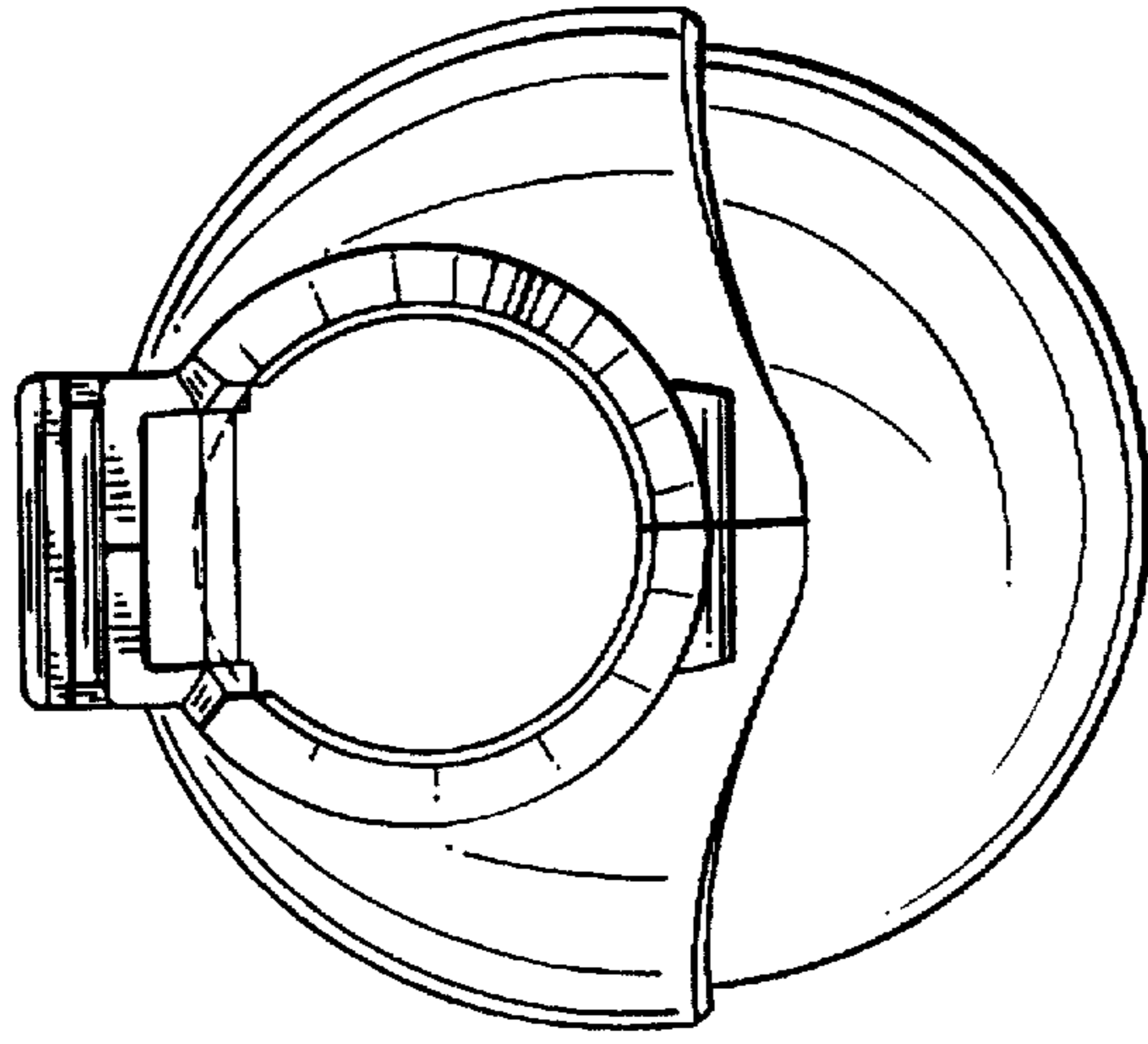


FIG. 3

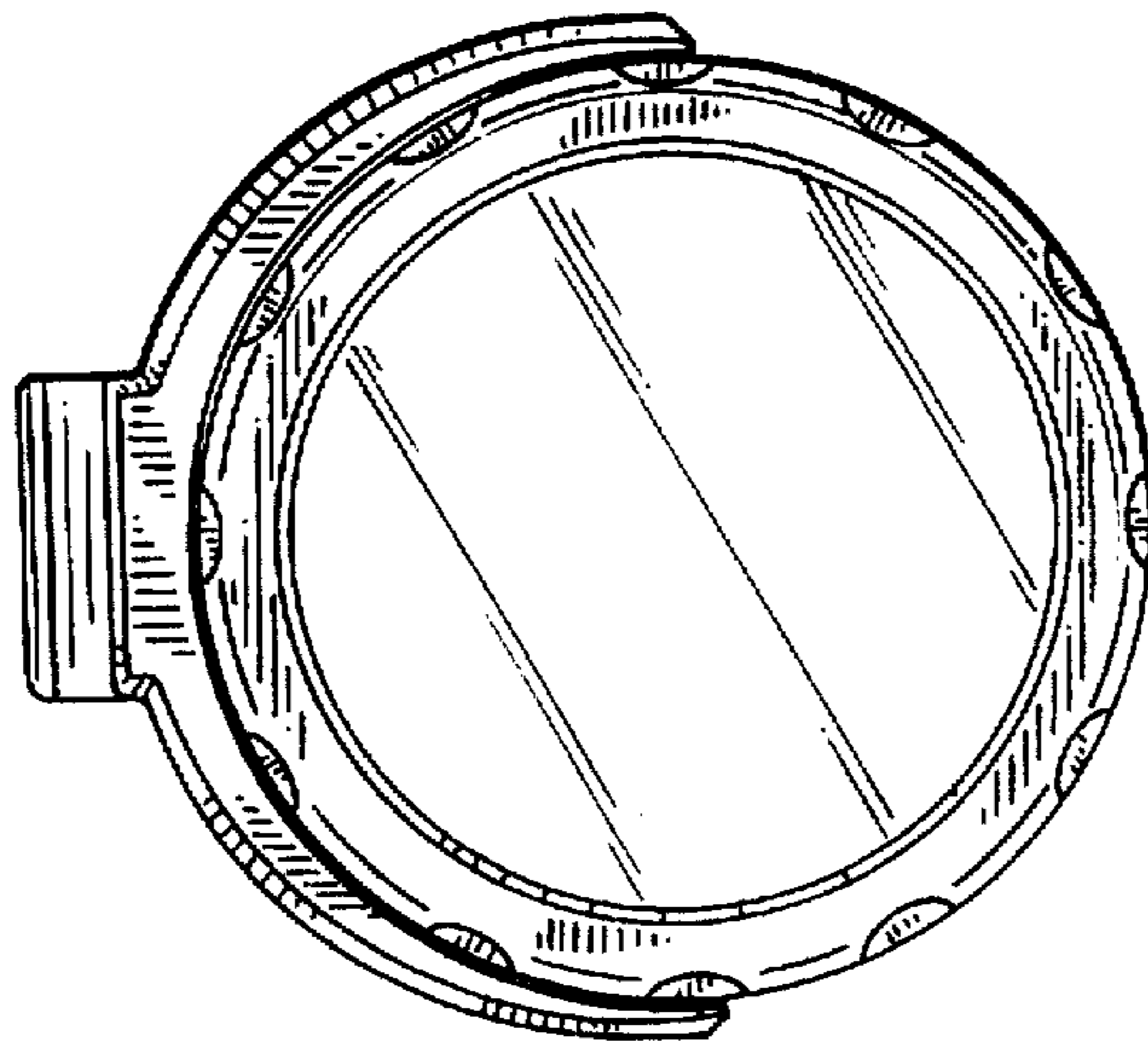


FIG. 2

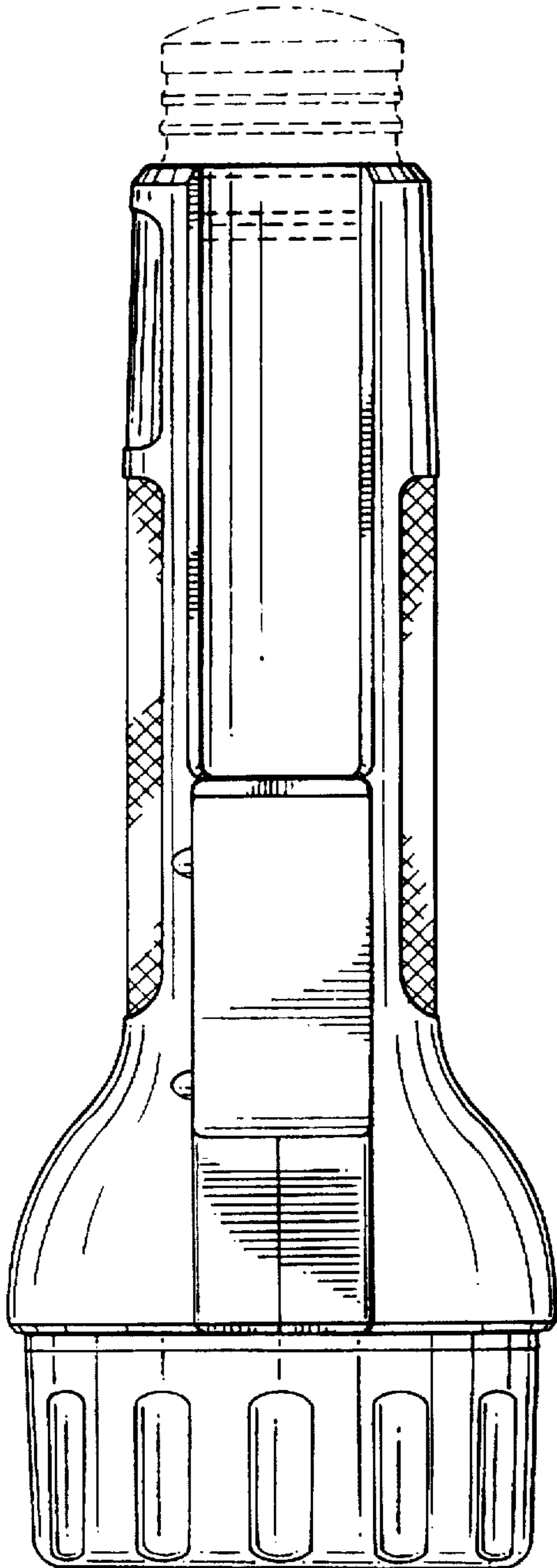


FIG. 4

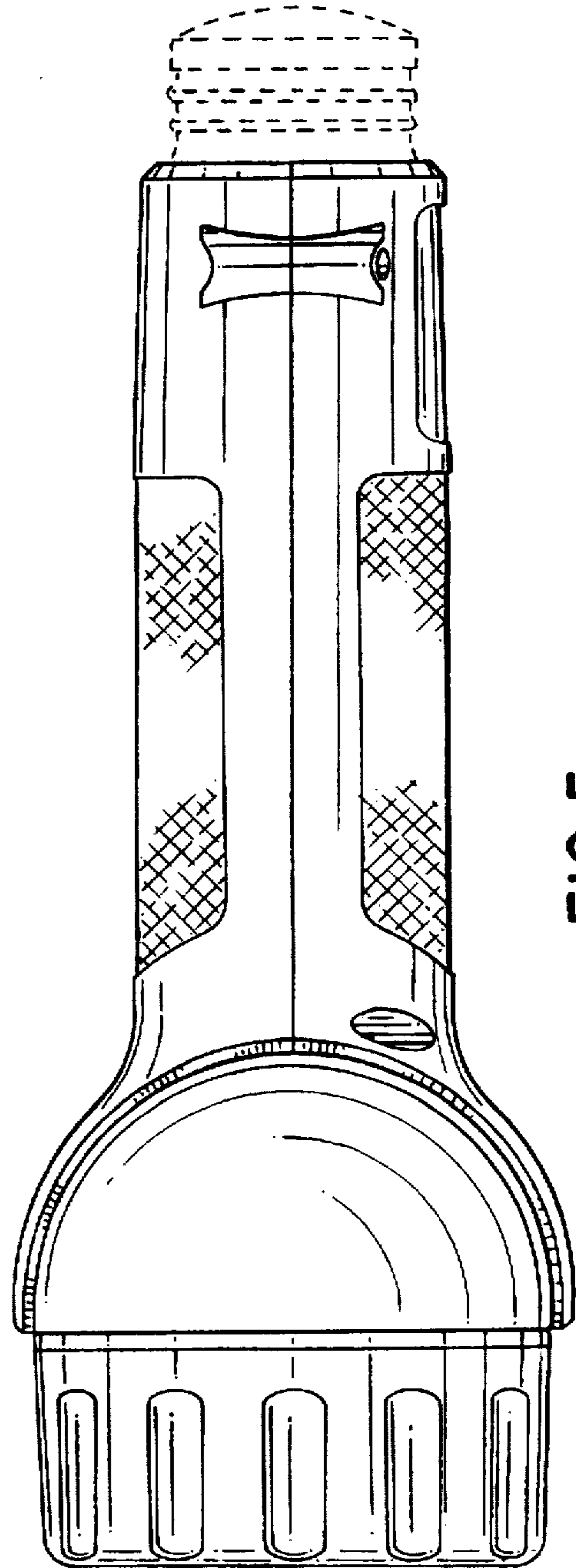


FIG. 5

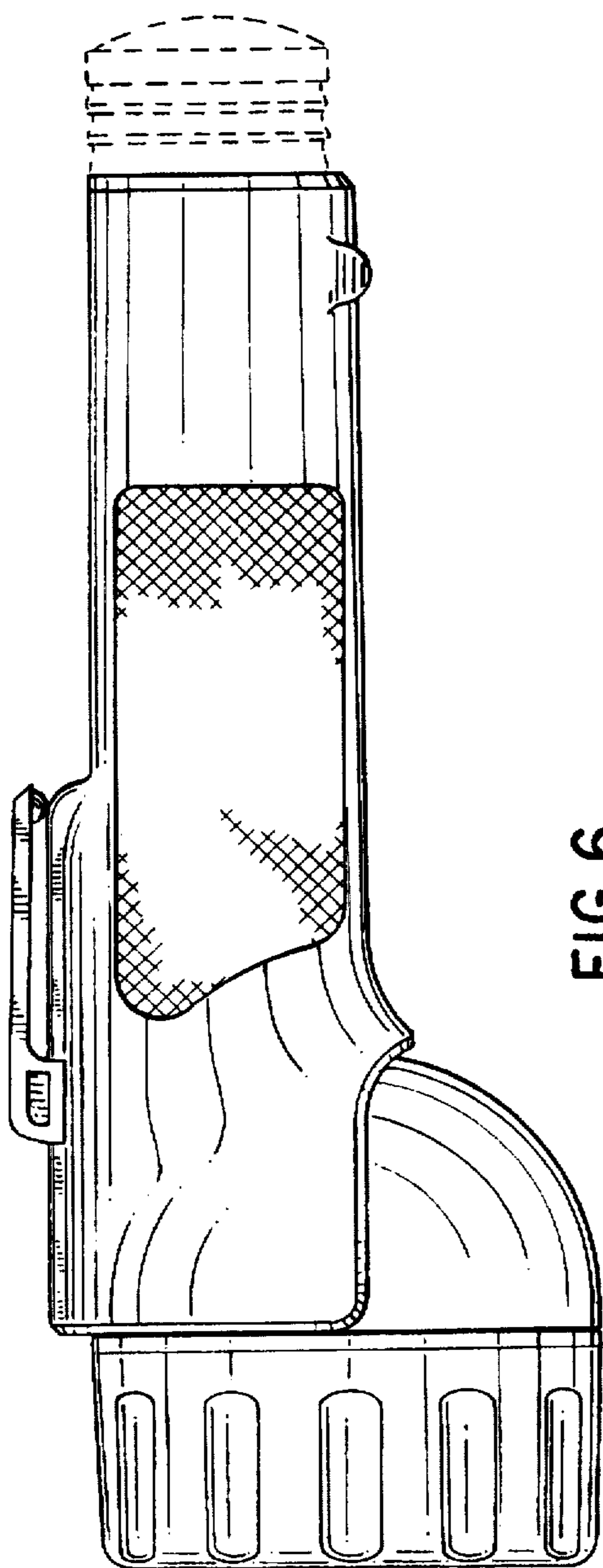


FIG. 6

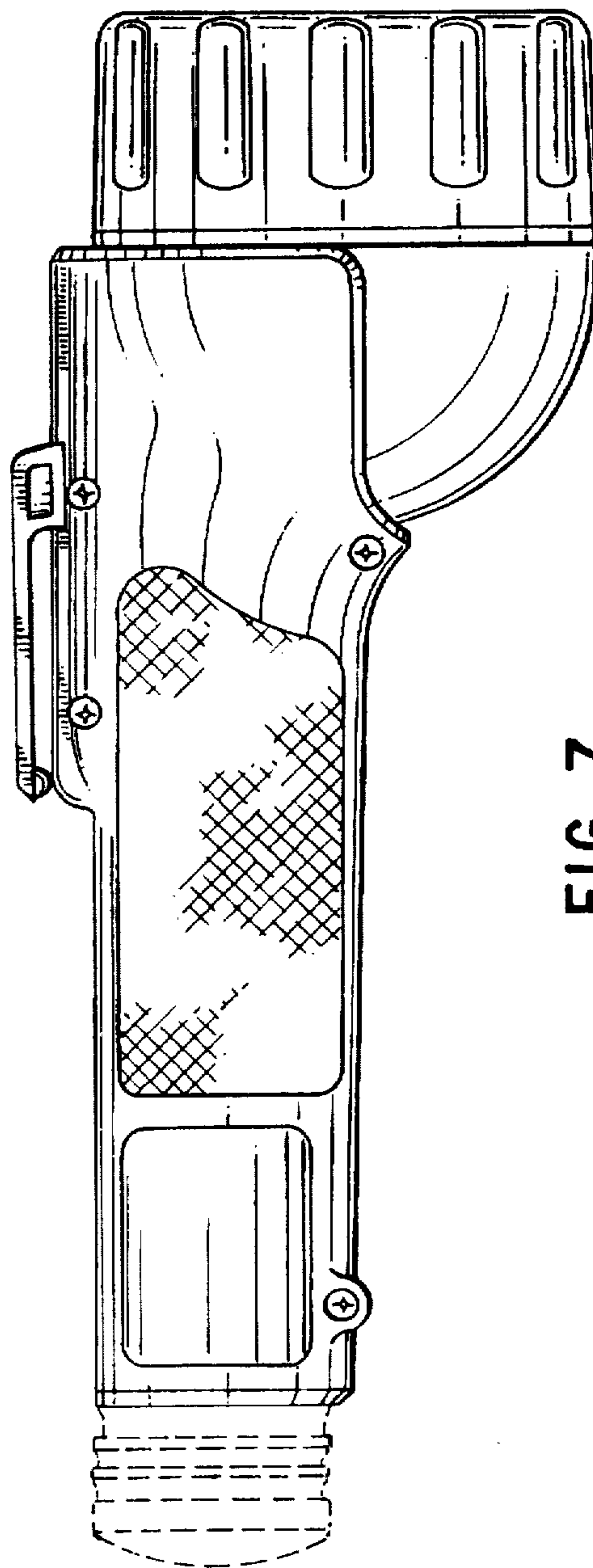


FIG. 7

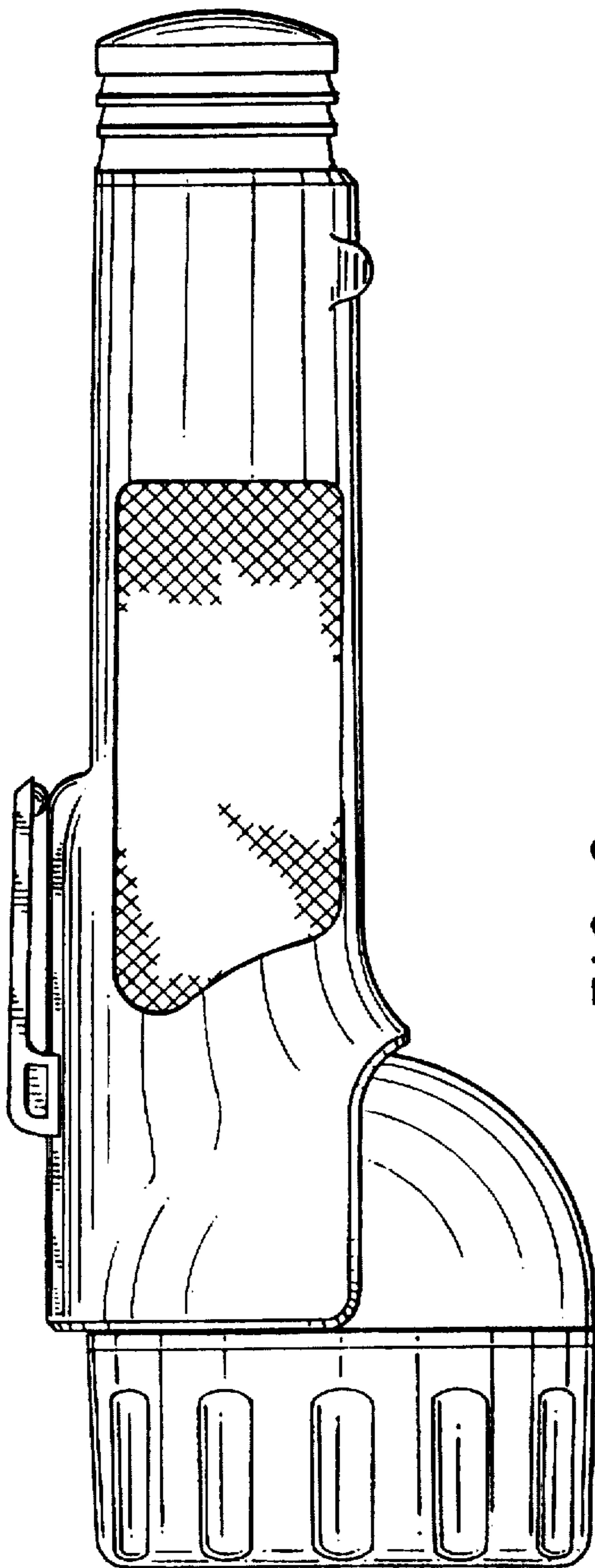


FIG. 8

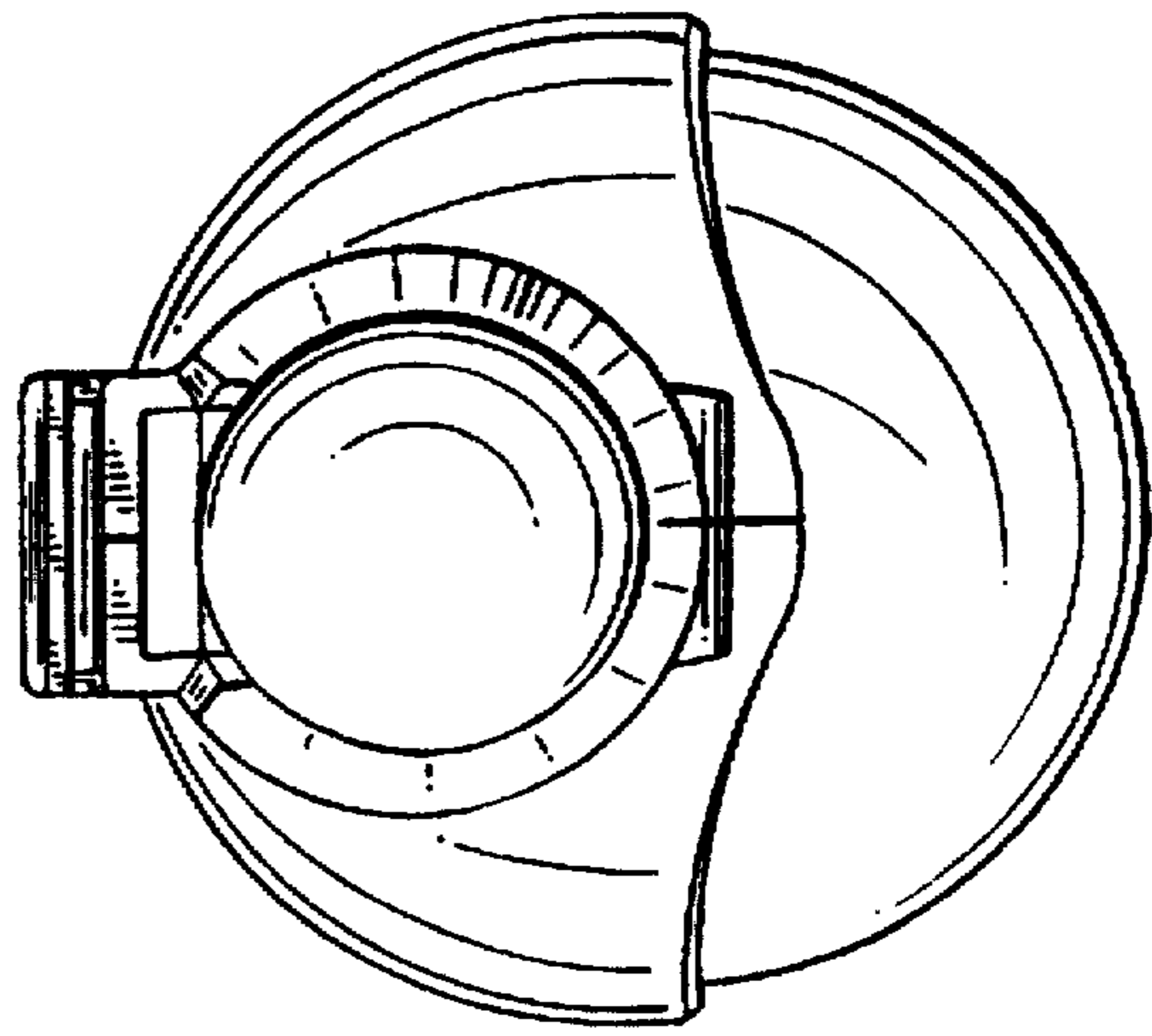


FIG. 9

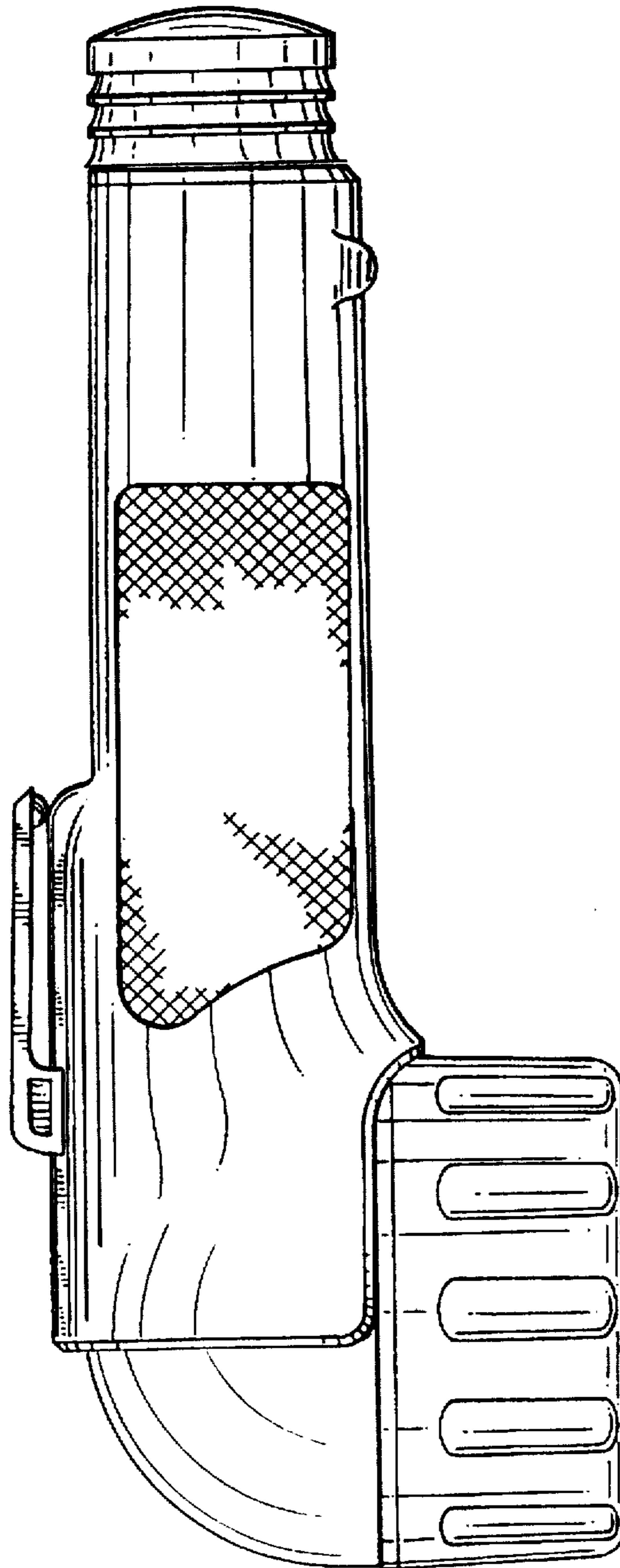


FIG. 10