



US00D391648S

United States Patent [19]

[11] Patent Number: Des. 391,648

Sølbeck

[45] Date of Patent: \*\*Mar. 3, 1998

[54] BUILDING ELEMENT FOR SEALING AROUND AN APERTURE IN AN UNDERROOF

FOREIGN PATENT DOCUMENTS

[76] Inventor: Peter Sølbeck, 203 Rungsted Strandvej, DK-2960 Rungsted, Denmark

64598	10/1989	Canada	.
0330	1994	3/1995	Denmark .
0869	1994	7/1995	Denmark .
87250	8/1992	Finland	.
494849	3/1980	Germany	..... 285/43
30 23 037	1/1982	Germany	.
33 21 101	12/1983	Germany	.
34 42 276	6/1985	Germany	.
39 22 624	5/1990	Germany	.
9528537	10/1995	WIPO	.

[\*\*] Term: 14 Years

[21] Appl. No.: 63,219

[22] Filed: Dec. 2, 1996

Related U.S. Application Data

[63] Continuation of Ser. No. 29,743, Oct. 14, 1994, abandoned.

Primary Examiner—Doris Clark  
Attorney, Agent, or Firm—Merchant, Gould, Smith, Edell, Welter & Schmidt

[30] Foreign Application Priority Data

Apr. 15, 1994	[DK]	Denmark	.....	MA0330/94
Oct. 4, 1994	[DK]	Denmark	.....	0869/94

[57] CLAIM

The ornamental design for a building element for sealing around an aperture in an underroof, as shown and described.

- [51] LOC (6) Cl. .... 25-02
- [52] U.S. Cl. .... D25/60; D25/199
- [58] Field of Search ..... D25/199, 60; 285/43, 285/44; 52/200, 72, 202, 308

DESCRIPTION

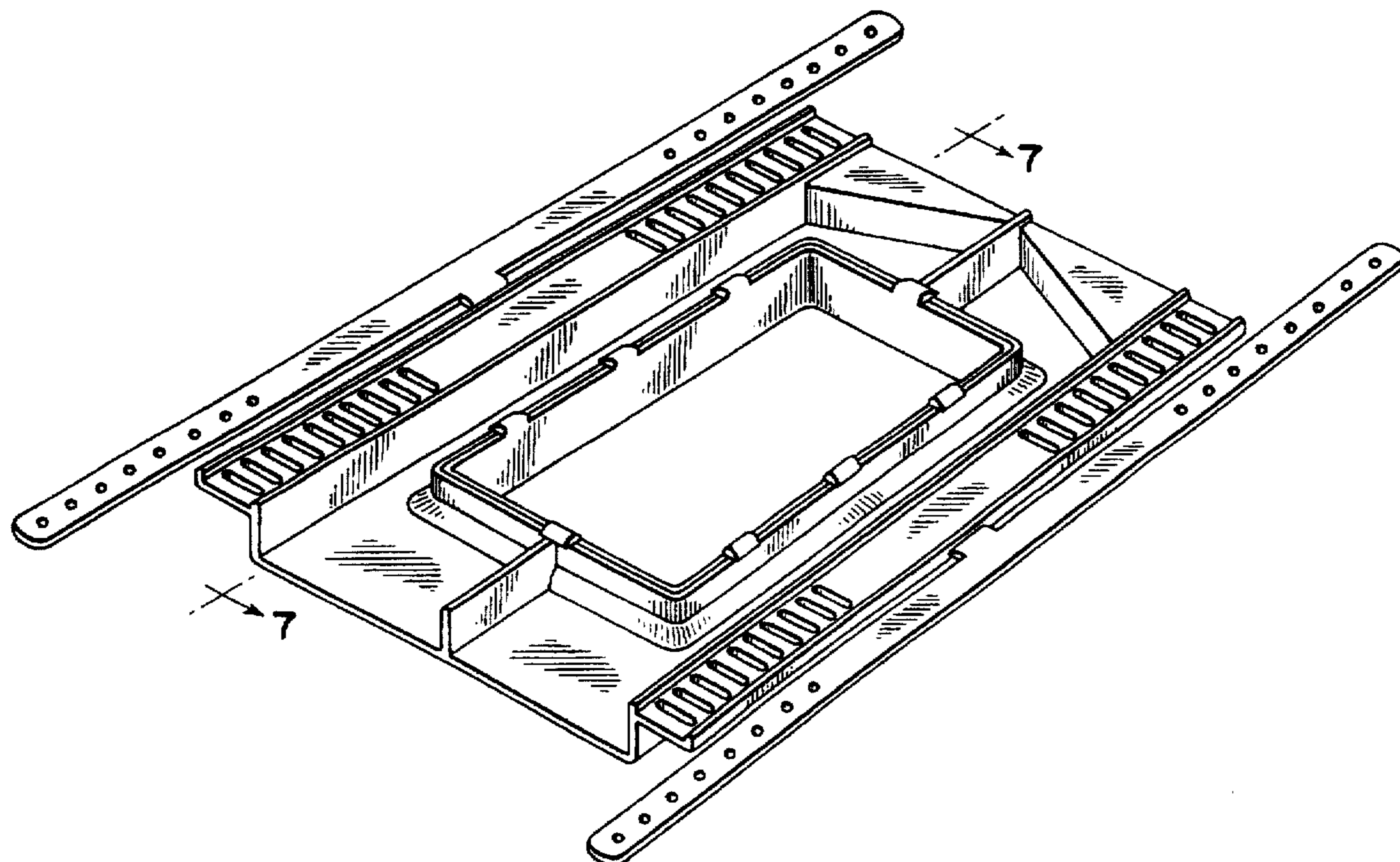
FIG. 1 is a top view of the claimed design;  
 FIG. 2 is a bottom view thereof;  
 FIG. 3 is a right side view thereof;  
 FIG. 4 is a left side view thereof;  
 FIG. 5 is a front elevational view thereof;  
 FIG. 6 is a rear elevational view thereof;  
 FIG. 7 is a sectional view along line 7—7 of FIG. 8;  
 FIG. 8 is a top, rear, and right side perspective view thereof;  
 and,  
 FIG. 9 is a bottom, front, and right side perspective view thereof.

[56] References Cited

U.S. PATENT DOCUMENTS

130,539	8/1872	Rothe	.....	285/43
525,057	8/1894	Partlow	.....	285/43
725,291	4/1903	Stewart	.....	285/43
1,145,598	7/1915	Laboudigue	.....	285/44
2,800,850	7/1957	McKann	.....	285/44
3,098,663	7/1963	Dibley	.	
3,945,163	3/1976	Nagler et al.	.....	285/44
5,297,371	3/1994	Borghetto	.....	52/308

1 Claim, 5 Drawing Sheets



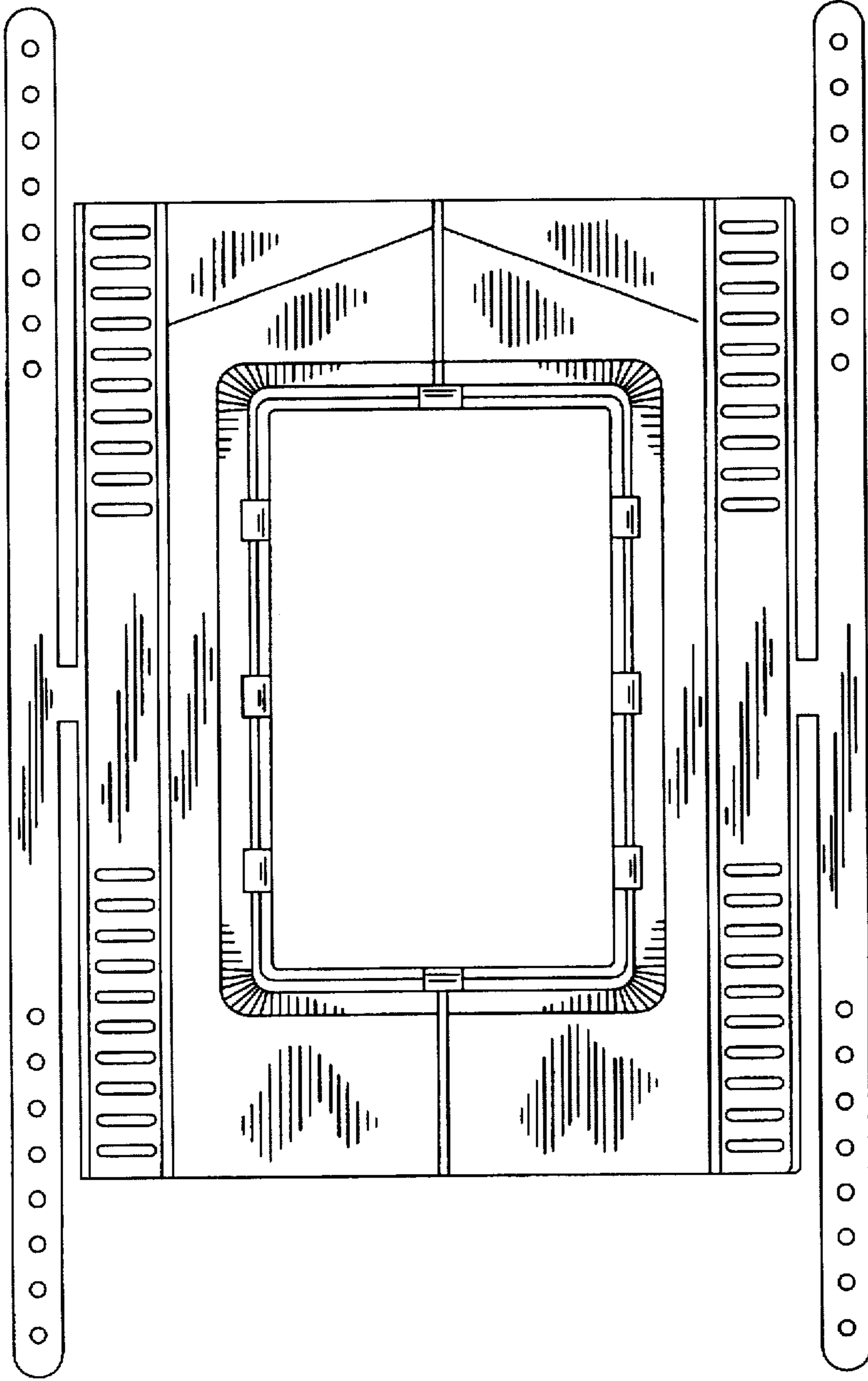


FIG. 1

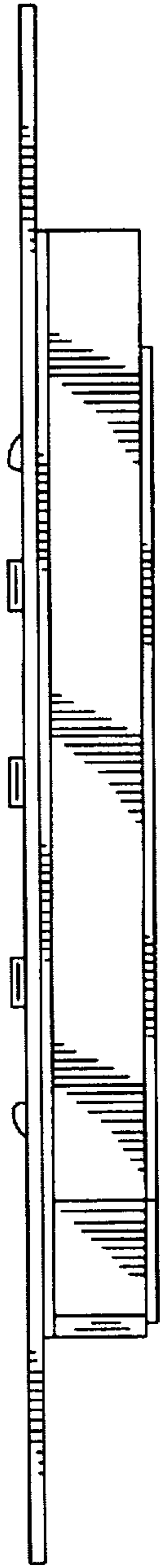


FIG. 3

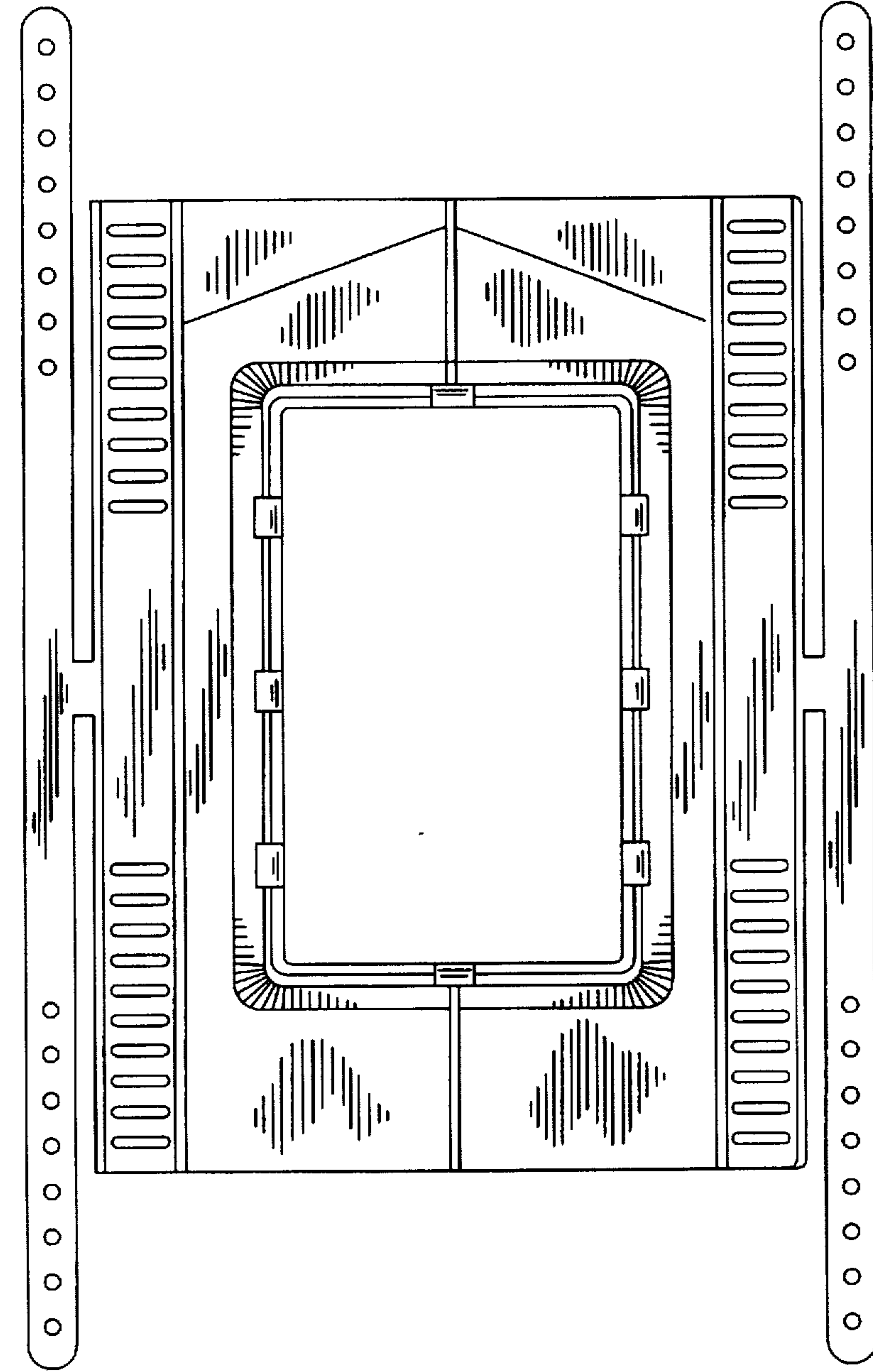


FIG. 2

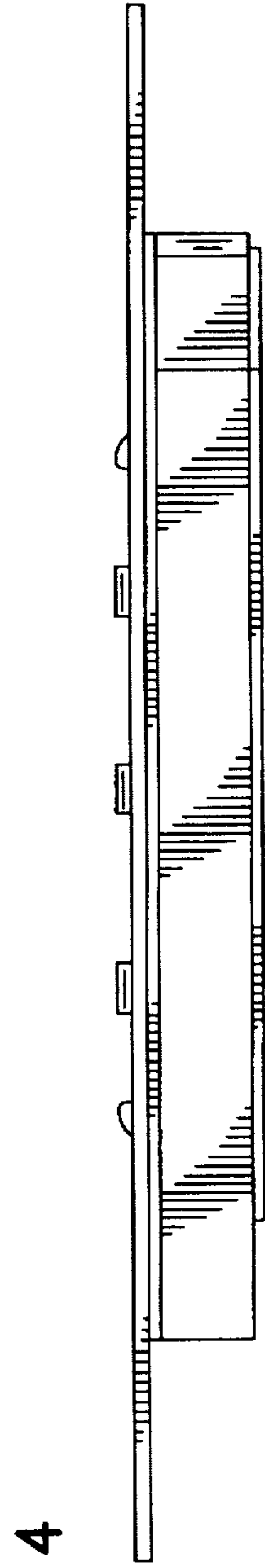


FIG. 4

FIG. 5

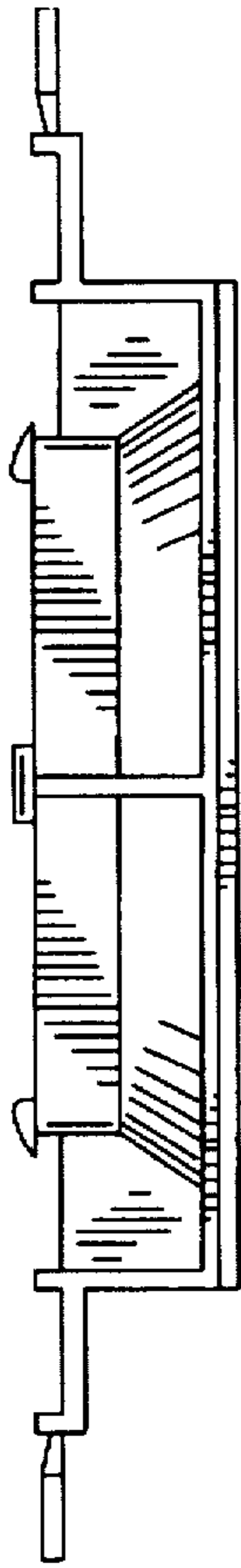


FIG. 6

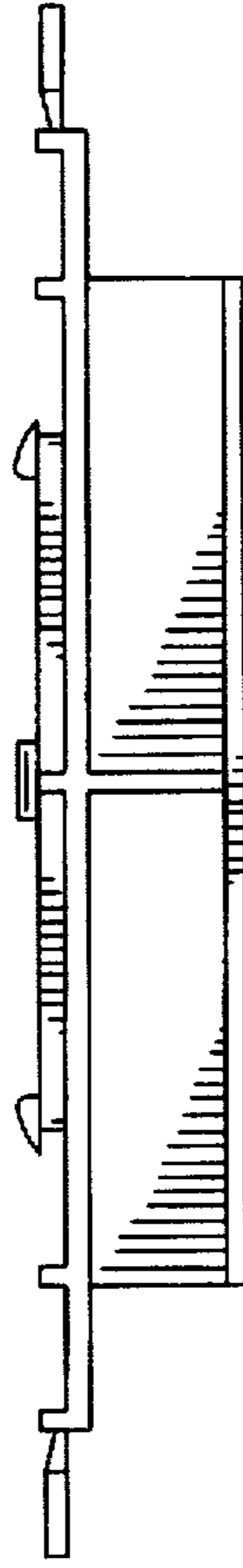
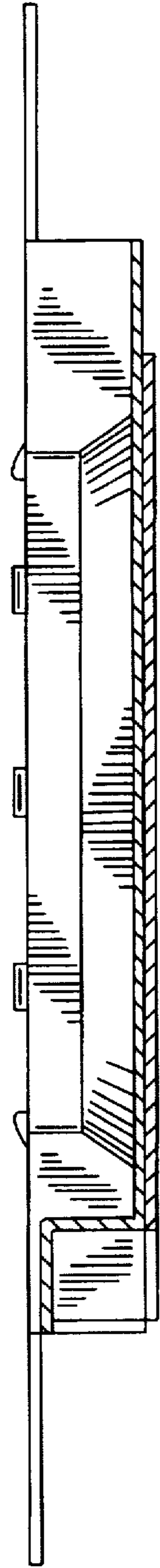


FIG. 7



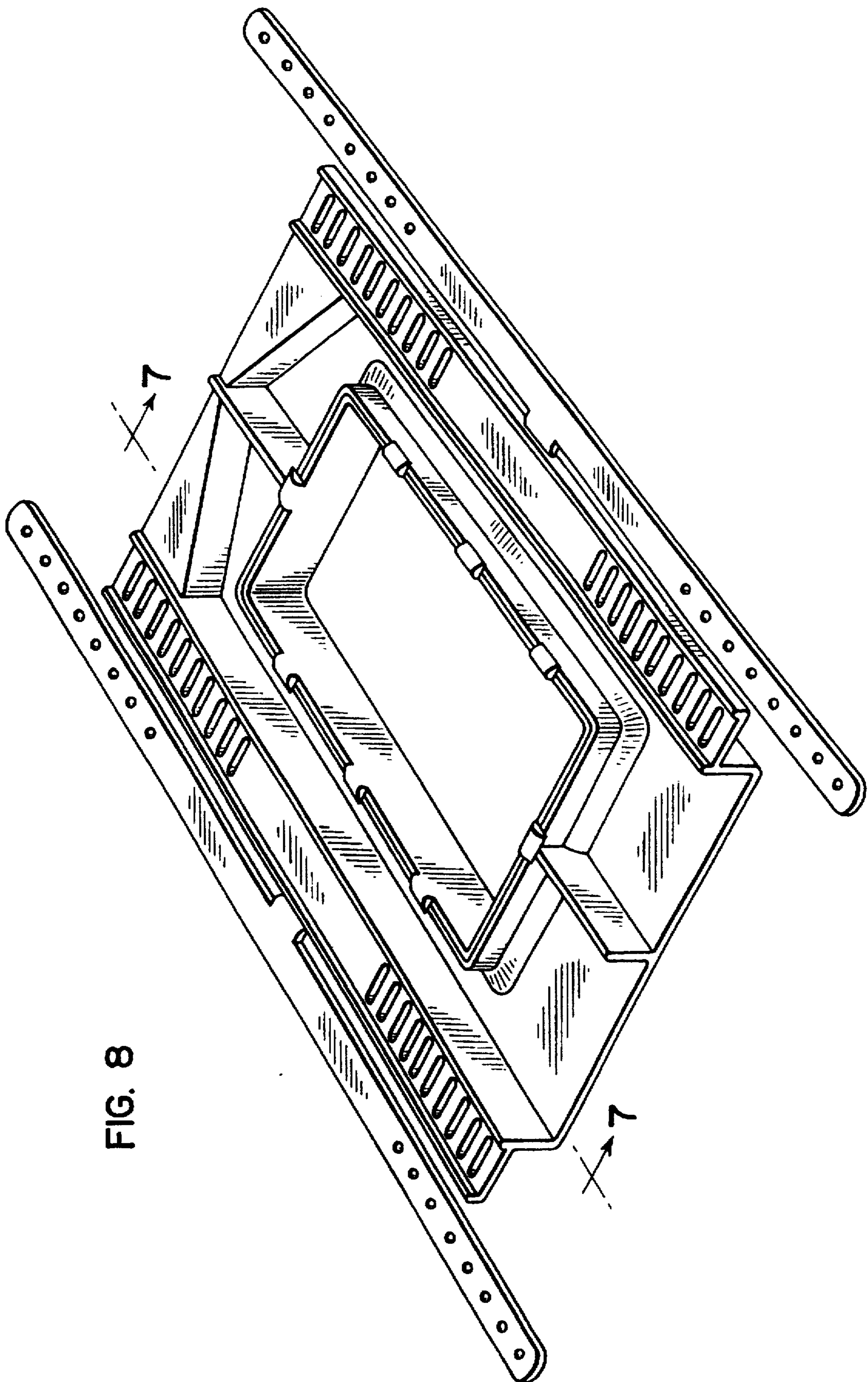


FIG. 8

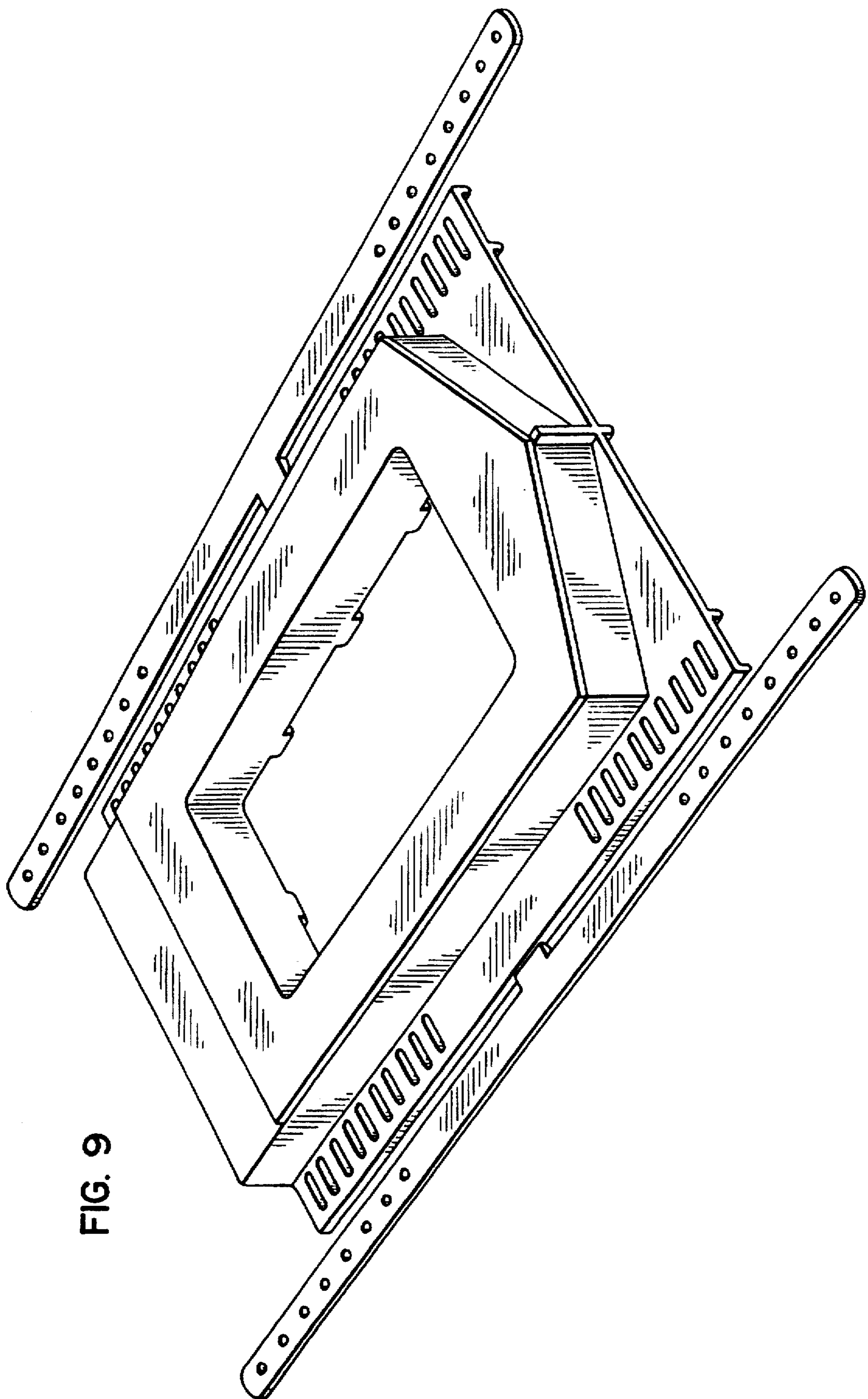


FIG. 9