



US00D391645S

United States Patent [19]
Chien

[11] **Patent Number:** **Des. 391,645**
[45] **Date of Patent:** ****Mar. 3, 1998**

[54] **BODY MASSAGER**

D. 273,042 3/1984 Jackson D24/211
D. 347,477 5/1994 Morales D24/211

[76] **Inventor:** **Kuo-Ching Chien**, No. 7 Lane 74
Gong 5 Road Lung Tan Hsiang,
Taoyuan Hsien, Taiwan

Primary Examiner—Stella Reid
Attorney, Agent, or Firm—Johnson Smith Pence Densborn
Wright & Heath

[**] **Term:** **14 Years**

[57] **CLAIM**

[21] **Appl. No.:** **68,588**

The ornamental design for a body massager, as shown.

[22] **Filed:** **Mar. 11, 1997**

DESCRIPTION

[51] **LOC (6) Cl.** **24-04**
[52] **U.S. Cl.** **D24/211; D24/214**
[58] **Field of Search** **D24/214, 211;**
601/118, 123, 125, 128, 129, 130, 134,
136, 131

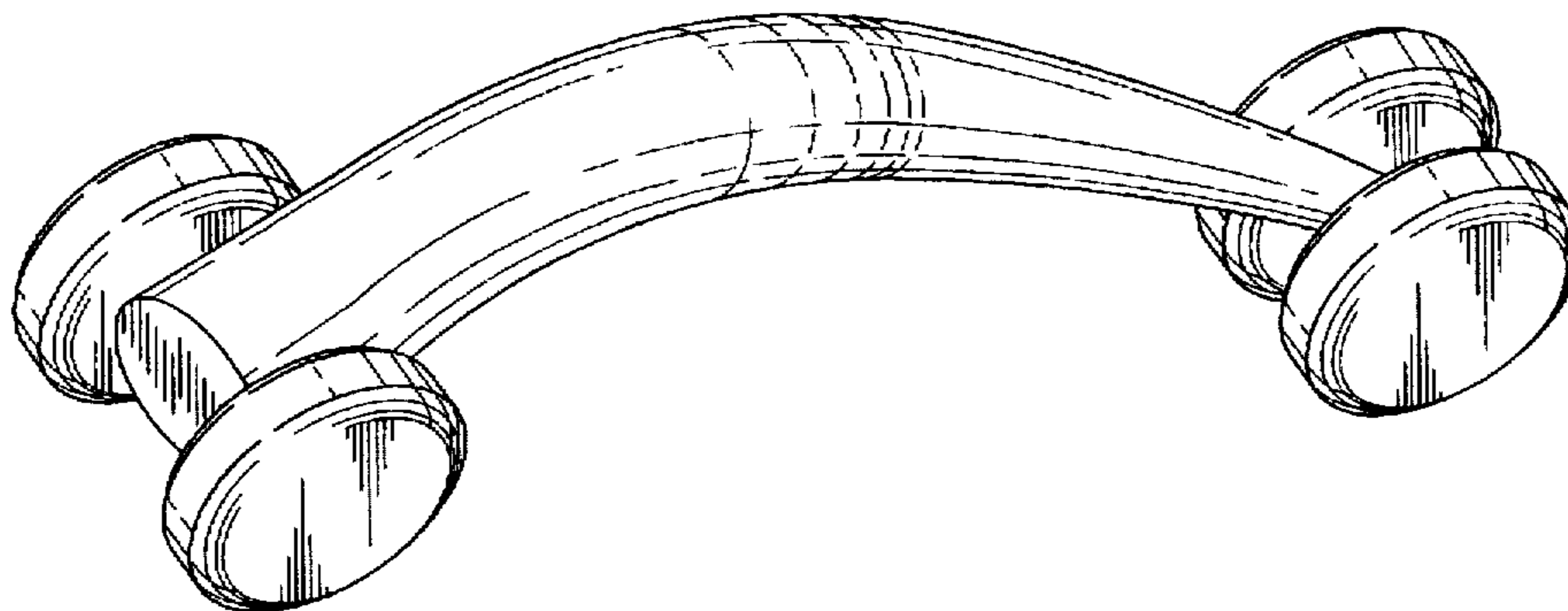
FIG. 1 is a top, front and right side perspective view of the body massager showing my new design;
FIG. 2 is a front view of the body massager;
FIG. 3 is a rear view of the body massager;
FIG. 4 is a right side view of the body massager, the left side view being identical thereof;
FIG. 5 is a top view of the body massager; and,
FIG. 6 is a bottom view of the body massager.

[56] **References Cited**

U.S. PATENT DOCUMENTS

D. 206,512 12/1966 Waldeck D24/211
D. 262,490 12/1981 Hewitt D24/211

1 Claim, 5 Drawing Sheets



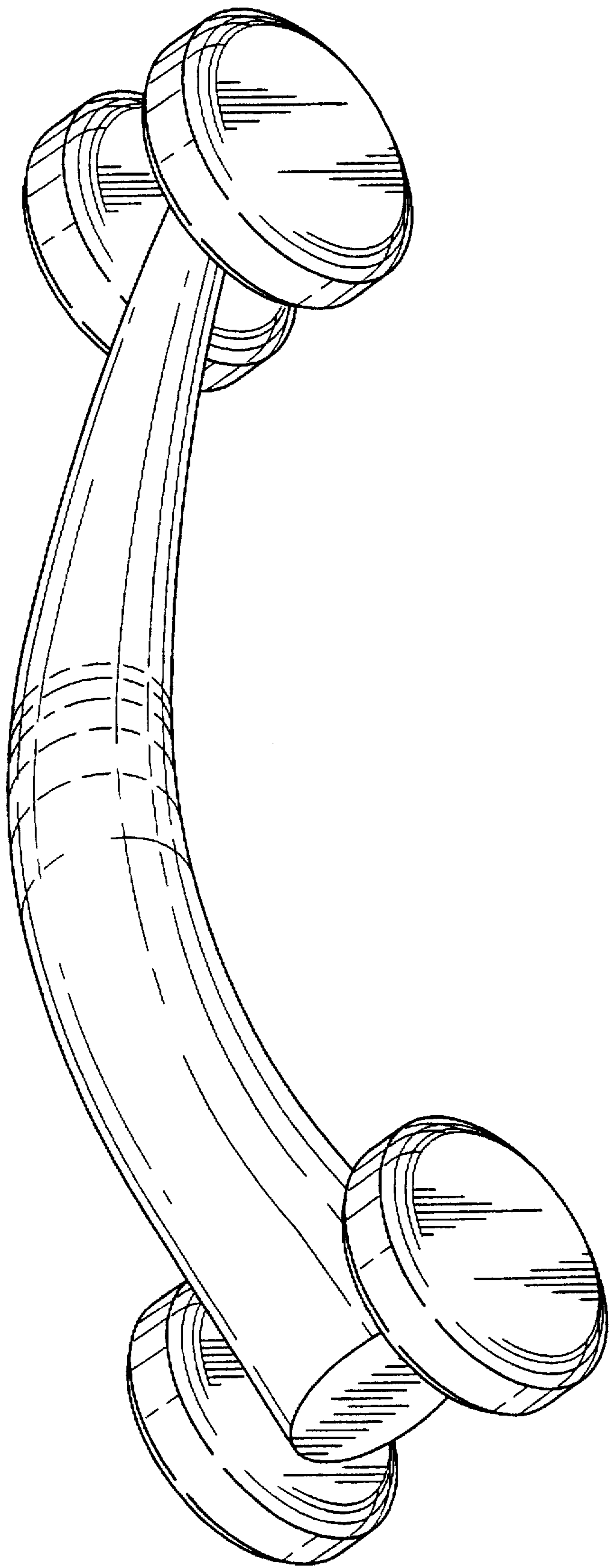


Fig. 1

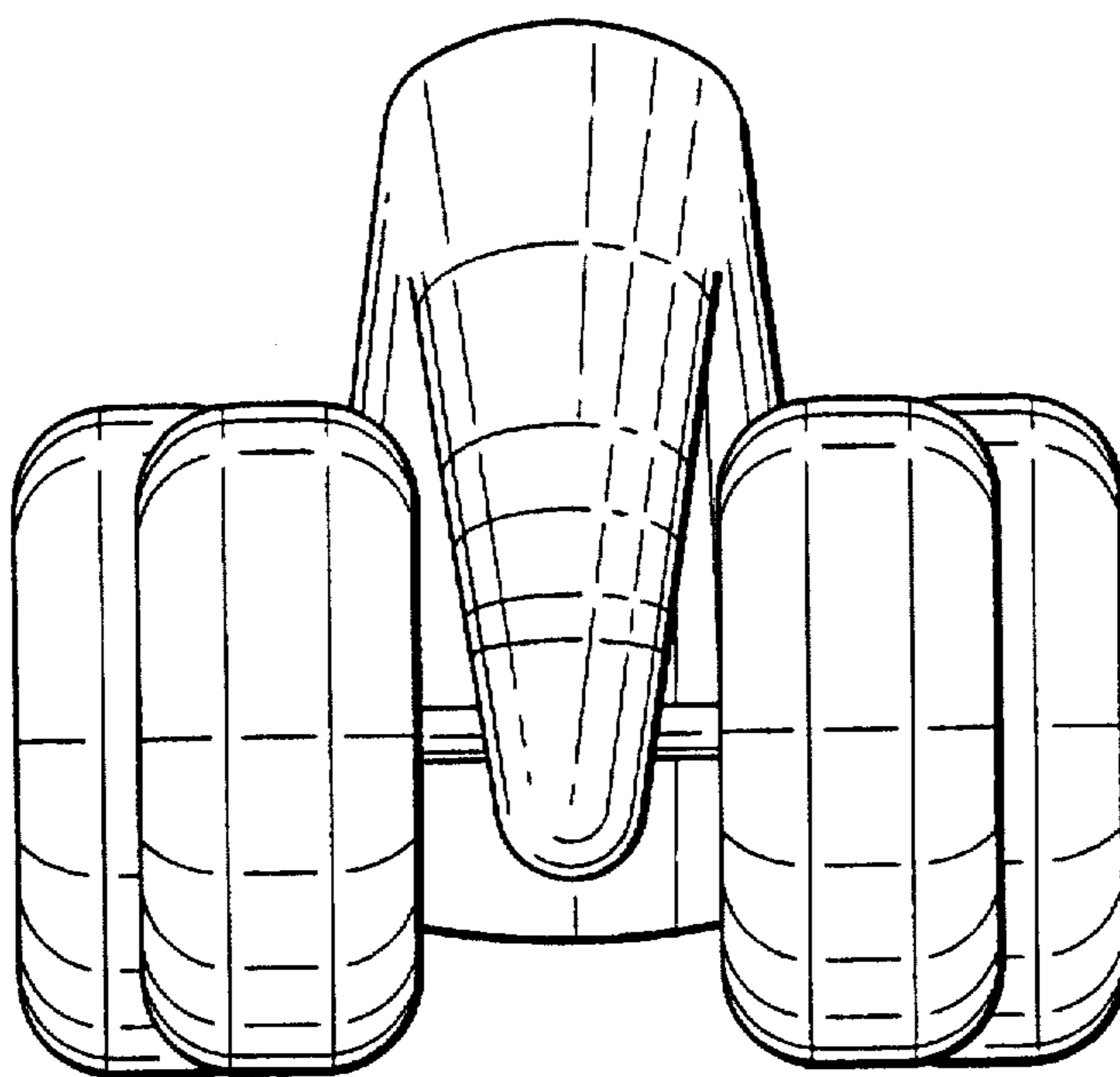


Fig. 2

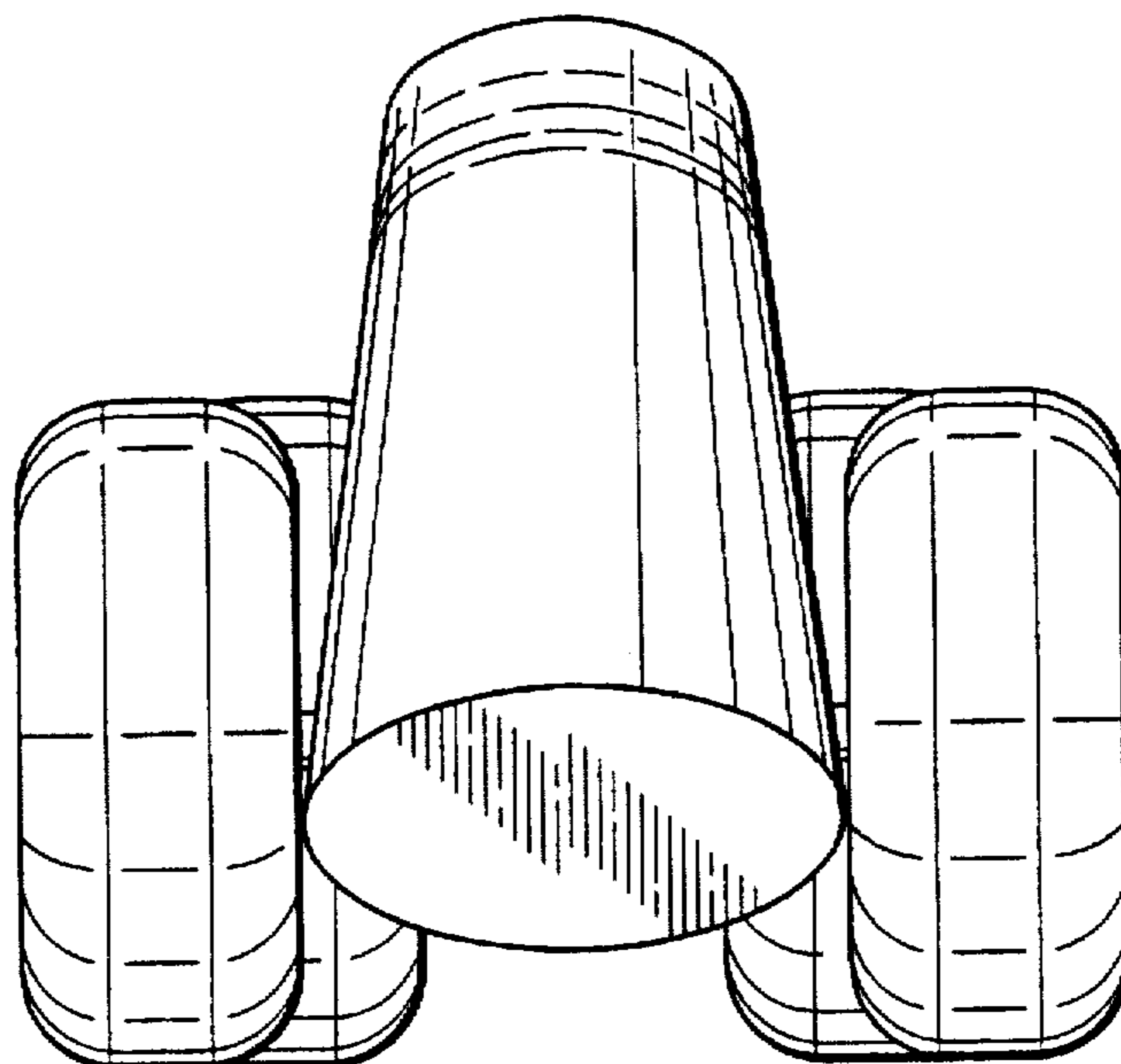


Fig. 3

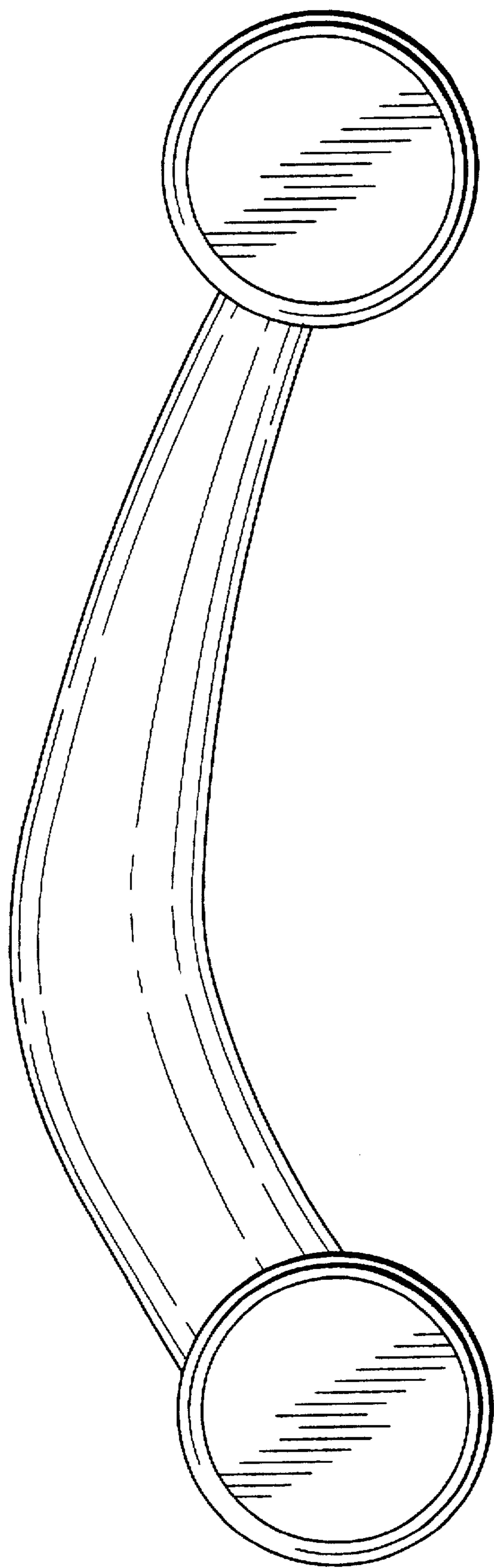


Fig. 4

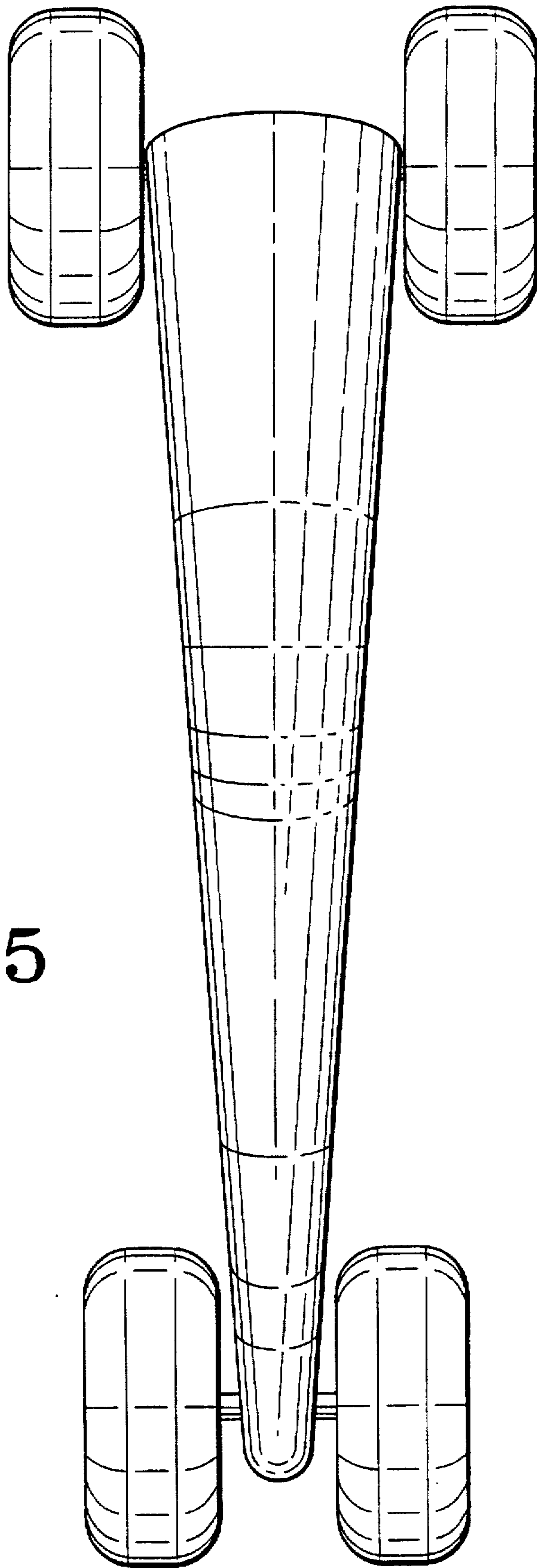


Fig. 5

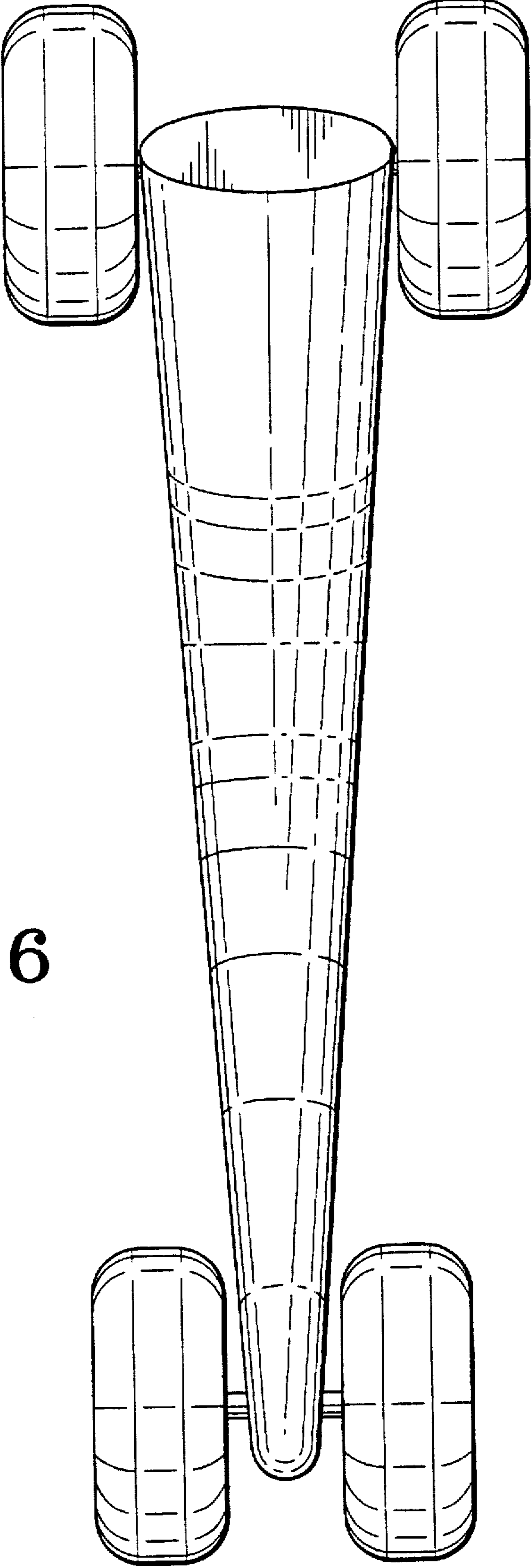


Fig. 6