



US00D391639S

United States Patent [19]

Dunshee et al.

[11] Patent Number: Des. 391,639

[45] Date of Patent: **Mar. 3, 1998

[54] BANDAGE BACKING

[75] Inventors: **Wayne K. Dunshee**, Maplewood;
Donald G. Peterson, Shoreview, both
of Minn.

[73] Assignee: **Minnesota Mining and
Manufacturing Company**, St. Paul,
Minn.

[**] Term: **14 Years**

[21] Appl. No.: **35,049**

[22] Filed: **Feb. 17, 1995**

[51] LOC (6) Cl. **24-04**

[52] U.S. Cl. **D24/189**

[58] Field of Search D24/189; 602/58,
602/59, 41-57; D5/1, 2, 53, 57

[56] References Cited

U.S. PATENT DOCUMENTS

D. 267,431	12/1982	Santarelli	D24/49
D. 267,432	12/1982	Santarelli	D24/49
D. 304,238	10/1989	Palau	D24/49
D. 340,114	10/1993	Arginsky	D24/189
D. 340,985	11/1993	Arginsky	D24/189
D. 340,986	11/1993	Arginsky	D24/189
D. 340,987	11/1993	Arginsky	D24/189
D. 340,988	11/1993	Arginsky	D24/189
D. 340,989	11/1993	Arginsky	D24/189
2,156,777	5/1939	Duryea	D5/2 X
2,905,174	9/1959	Smith	128/156
3,073,303	1/1963	Schaar	128/156
3,425,412	2/1969	Pope	602/59
3,888,247	6/1975	Stenvall	602/59
4,285,338	8/1981	Lemelson	128/155
4,390,519	6/1983	Sawyer	424/28
4,530,353	7/1985	Lauritzen	128/156
4,649,909	3/1987	Thompson	128/156
4,976,706	12/1990	Aki et al.	604/20 X
5,158,555	10/1992	Porzilli	602/47 X
5,160,328	11/1992	Cartmell et al.	602/47 X

FOREIGN PATENT DOCUMENTS

2661821 11/1991 France 602/52
81-6111 7/1981 Rep. of Korea .

OTHER PUBLICATIONS

Four Sample Sheets of Bandages, Oct. 1993 to Jun. 1994.

Primary Examiner—Lucy Lieberman

Attorney, Agent, or Firm—Gary L. Griswold; Walter N. Kirn; Stephen W. Bauer

[57] CLAIM

The ornamental design for a bandage backing, as shown and described.

DESCRIPTION

FIG. 1 is a perspective view of bandage backing showing the new design;

FIG. 2 is a top plan view thereof;

FIG. 3 is a bottom plan view thereof;

FIG. 4 is a side elevational view thereof, the opposite side elevational view being identical thereto;

FIG. 5 is an end elevational view thereof; the opposite end elevational view being identical thereto;

FIG. 6 is a perspective view of an alternate embodiment of the invention;

FIG. 7 is a top plan view of the embodiment shown in FIG. 6;

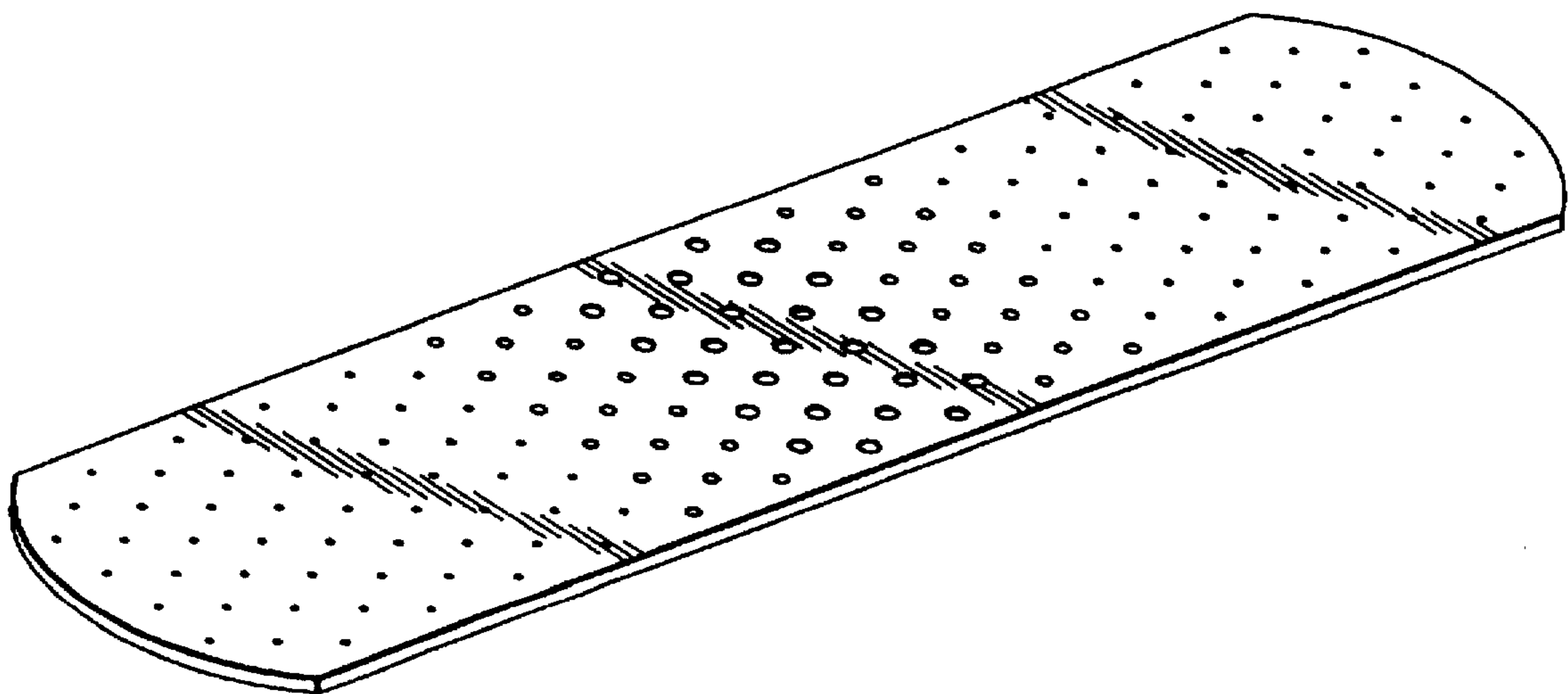
FIG. 8 is a bottom plan view of the embodiment shown in FIG. 6;

FIG. 9 is a side elevational view of the embodiment shown in FIG. 6, the opposite side elevational view being identical thereto;

FIG. 10 is an end elevational view of the embodiment shown in FIG. 6, the opposite end elevational view being identical thereto.

The broken lines in the drawing are for illustrative purposes only and do not form a part of the claimed design.

1 Claim, 2 Drawing Sheets



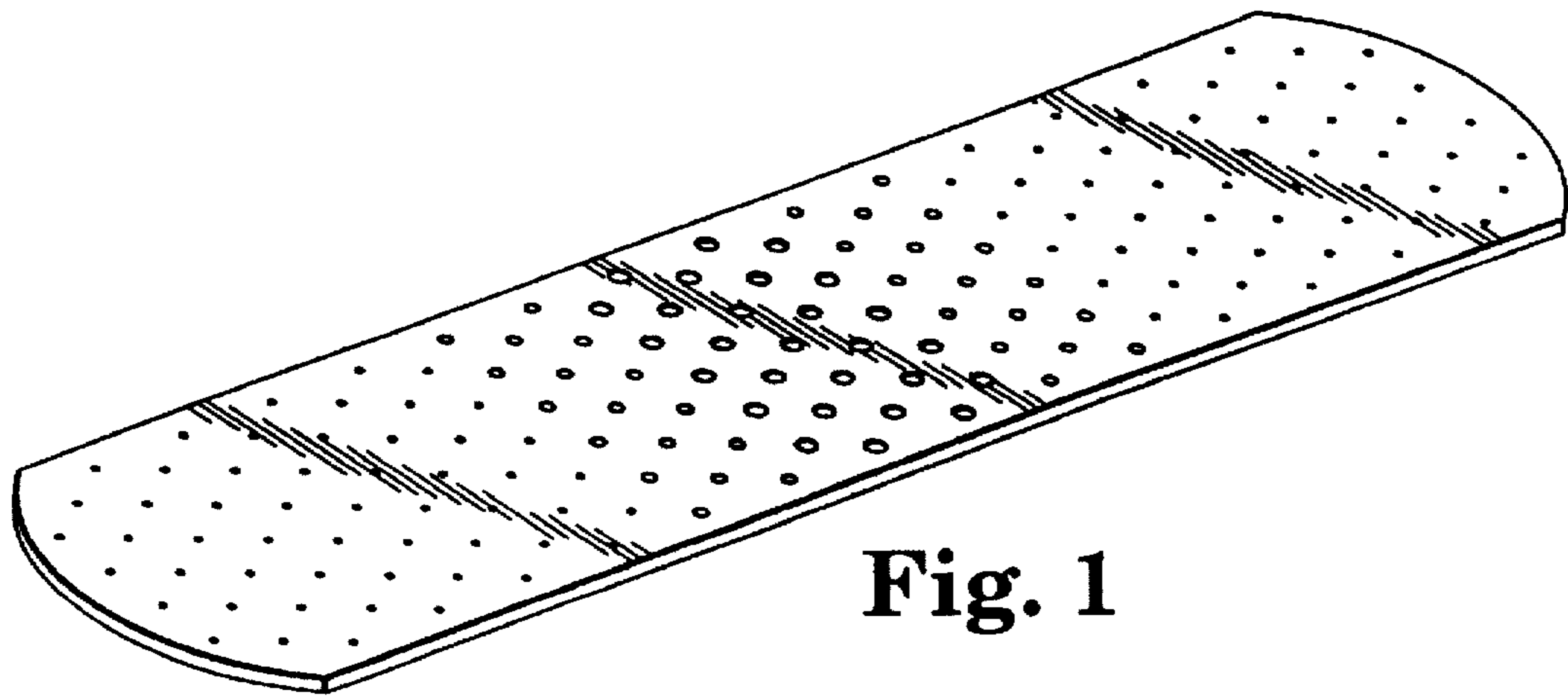


Fig. 1

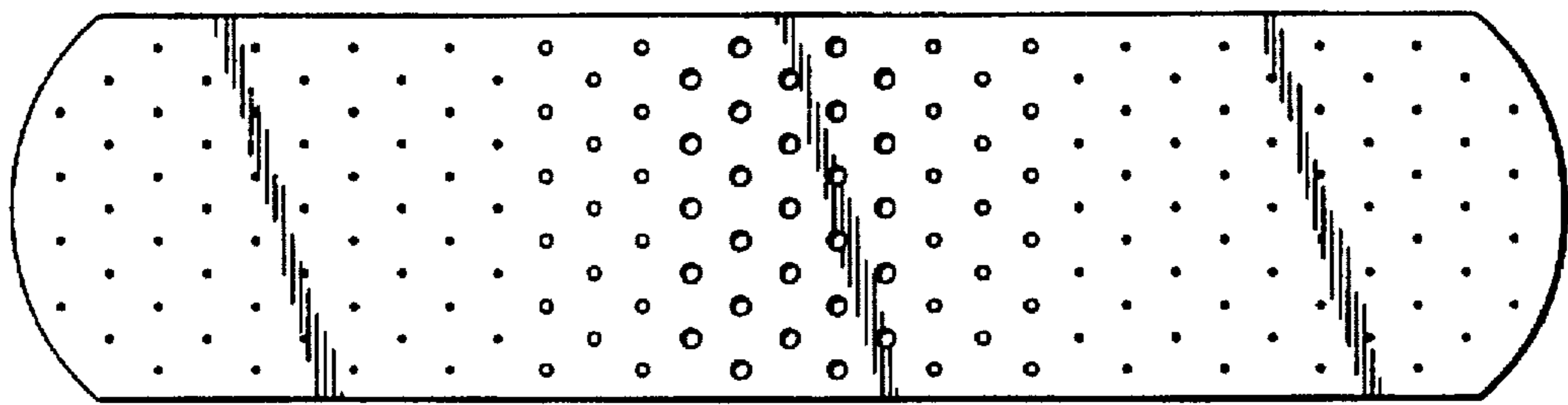


Fig. 2

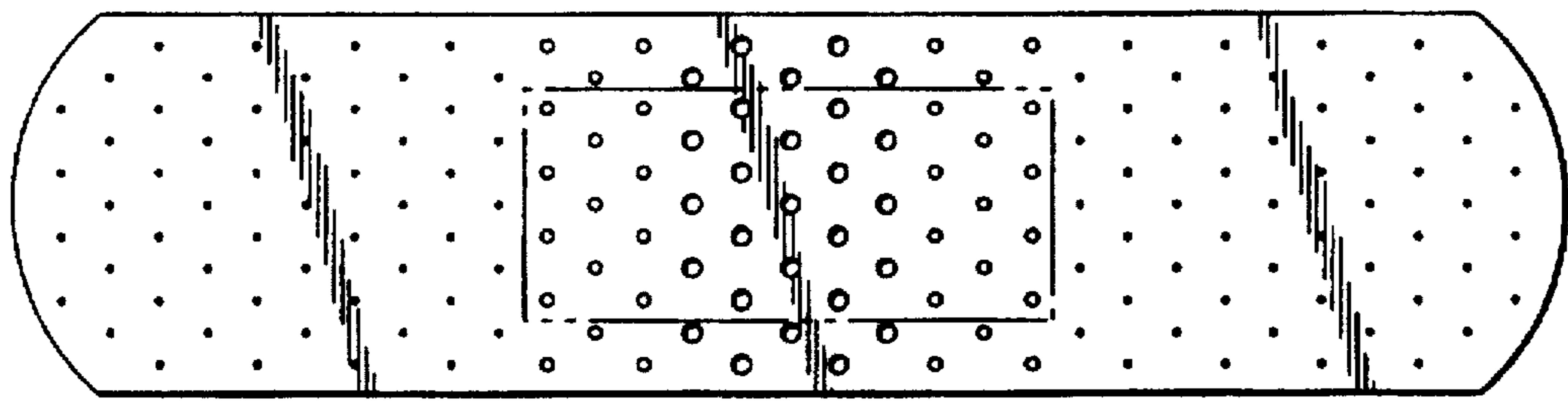


Fig. 3



Fig. 4



Fig. 5

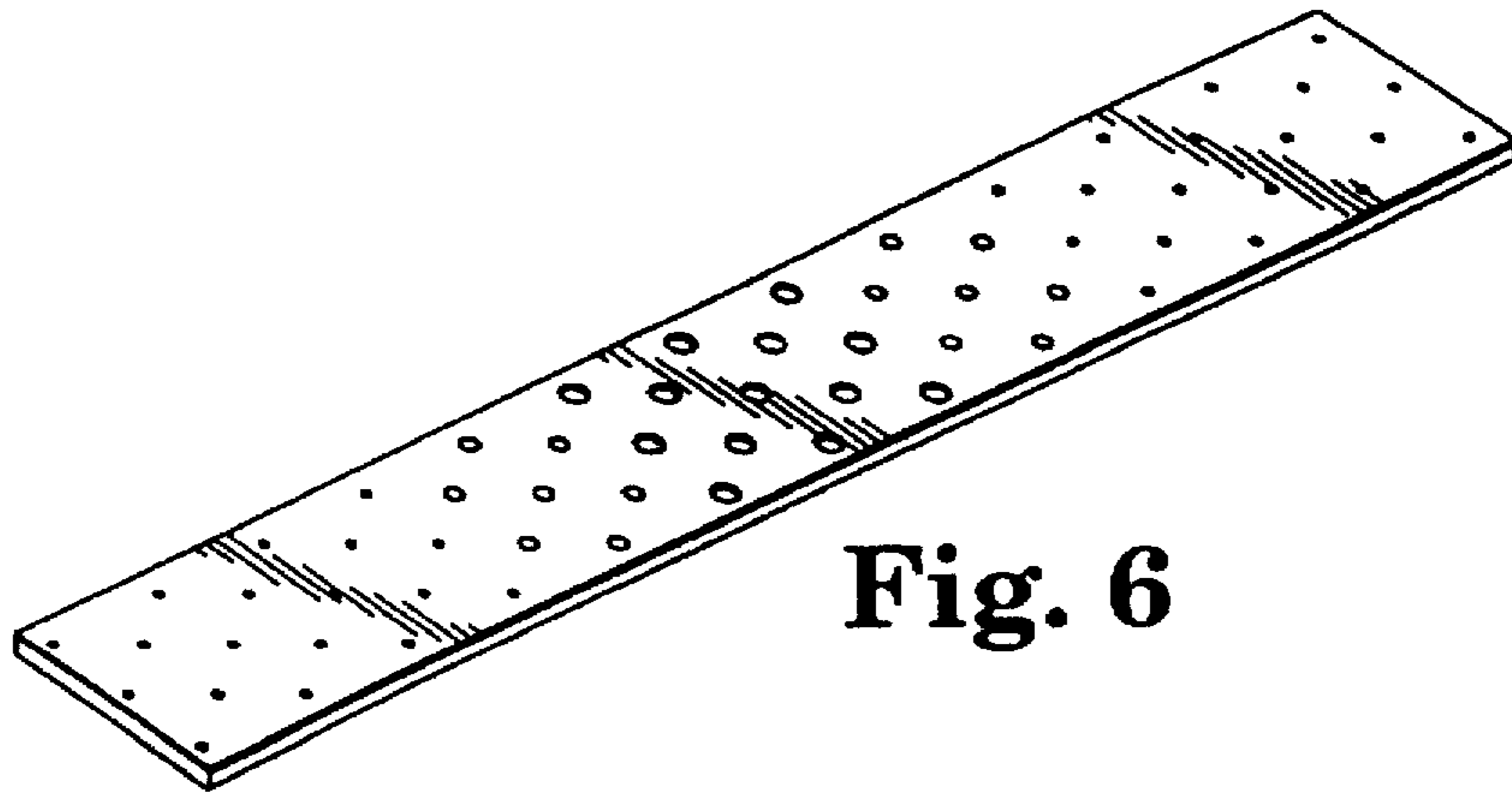


Fig. 6

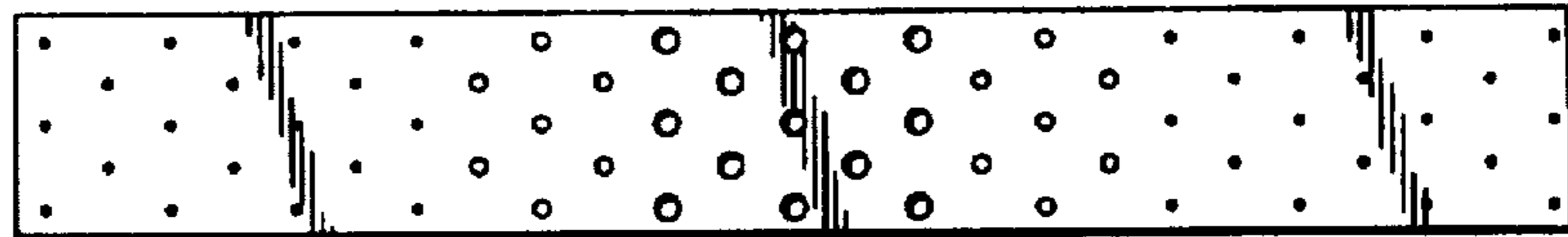


Fig. 7

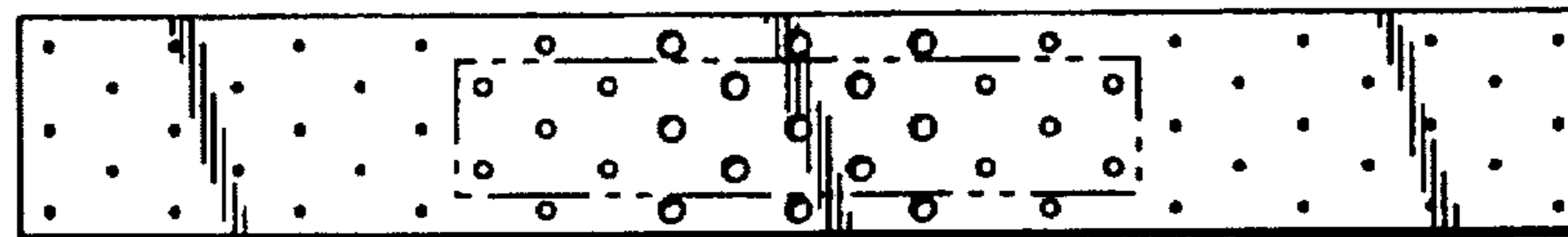


Fig. 8



Fig. 9



Fig. 10