



US00D391638S

United States Patent [19]

Coons et al.

[11] Patent Number: **Des. 391,638**

[45] Date of Patent: ****Mar. 3, 1998**

[54] **ELECTRONICALLY CONTROLLED CONTRAST MEDIA INJECTOR FOR MEDICAL DIAGNOSTIC IMAGING**

[75] Inventors: **John C. Coons**, Cincinnati; **Pamela K. Jacobs**, Loveland; **Robert G. Bergen**, Westchester, all of Ohio

[73] Assignee: **Liebel-Flarsheim Company**, Cincinnati, Ohio

[**] Term: **14 Years**

[21] Appl. No.: **62,734**

[22] Filed: **Nov. 22, 1996**

[51] LOC (6) Cl. **24-01**

[52] U.S. Cl. **D24/160**

[58] Field of Search D24/160, 158; 128/662.02, 654, 655, 747, DIG. 1; 604/49, 67, 154, 152, 236, 247

[56] References Cited

U.S. PATENT DOCUMENTS

3,631,847	1/1972	Hobbs, II	128/2 R
3,812,843	5/1974	Wooten et al.	128/655
3,880,138	4/1975	Wooten et al.	128/2 A
3,993,065	11/1976	Szabo et al.	128/218 A
4,006,736	2/1977	Kranys et al.	128/655
4,405,318	9/1983	Whitney et al.	604/155
4,424,720	1/1984	Bucchianeri	74/89.15
4,465,473	8/1984	Rügg	604/154
4,650,462	3/1987	Langer et al.	604/65
4,677,980	7/1987	Reilly et al.	128/655
4,695,271	9/1987	Goethel	604/49
4,812,724	3/1989	Langer et al.	318/599
4,854,324	8/1989	Hirschman et al.	128/655
5,249,579	10/1993	Hobbs et al.	128/662.02
5,269,762	12/1993	Armbruster et al.	604/155
5,279,569	1/1994	Neer et al.	604/154

5,322,511	6/1994	Armbruster et al.	604/155
5,383,858	1/1995	Reilly et al.	604/152
5,494,036	2/1996	Uber, III et al.	128/655
5,573,515	11/1996	Wilson et al.	604/236

OTHER PUBLICATIONS

Siemens Aktiengesellschaft, SIMTRAC C, Siemens Aktiengesellschaft Sales Brochure, No Date.

Liebel-Flarsheim, Angimat CT-Digital Injection System for Enhanced CT Scans, Liebel-Flarsheim Sales Brochure, 1988.

E-Z-EM, Simple the Best Value in Low-Pressure CT Injection Systems, Percupump A1, Therapex, Division of E-Z-EM Canada, Inc., Sales Brochure, 1990.

Medrad, Inc., Medrad Mark V System, Medrad Sales Brochure, Aug. 1988.

Medrad, Inc., Medrad MCT Plus Front Load Injection System, Medrad, Inc. Sales Brochure, No Date.

Liebel-Flarsheim, Angoimat 6000 Digital Injection System, Liebel-Flarsheim Sales Brochure, 1987.

Primary Examiner—Stella Reid
 Attorney, Agent, or Firm—Wood, Herron&Evans, L.L.P.

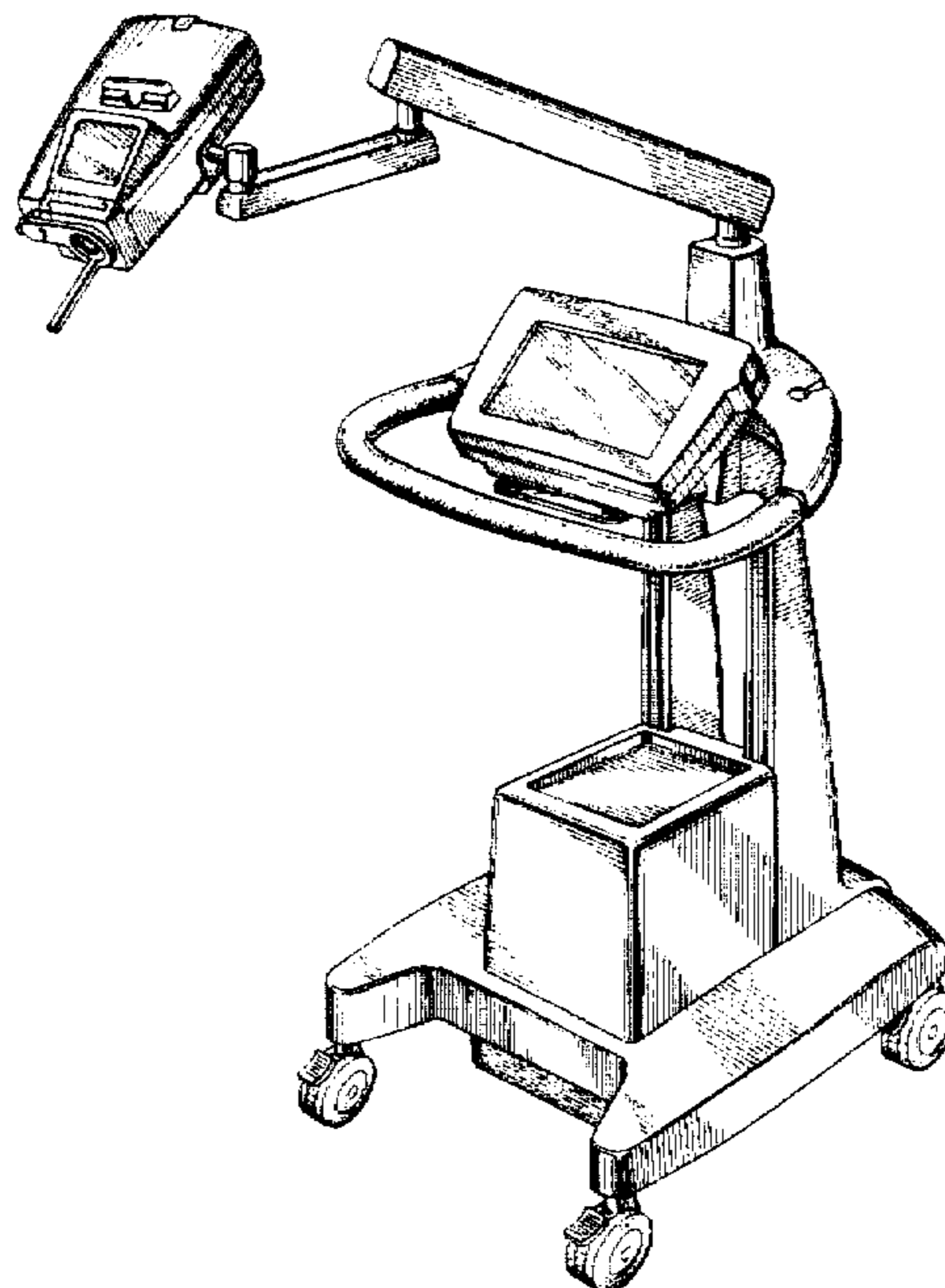
[57] CLAIM

The ornamental design for an electronically controlled contrast media injector for medical diagnostic imaging, as shown and described.

DESCRIPTION

FIG. 1 is a perspective view of the design;
 FIG. 2 is a front view;
 FIG. 3 is a left side view;
 FIG. 4 is a right side view;
 FIG. 5 is a rear view;
 FIG. 6 is a top view; and
 FIG. 7 is a bottom view.

1 Claim, 6 Drawing Sheets



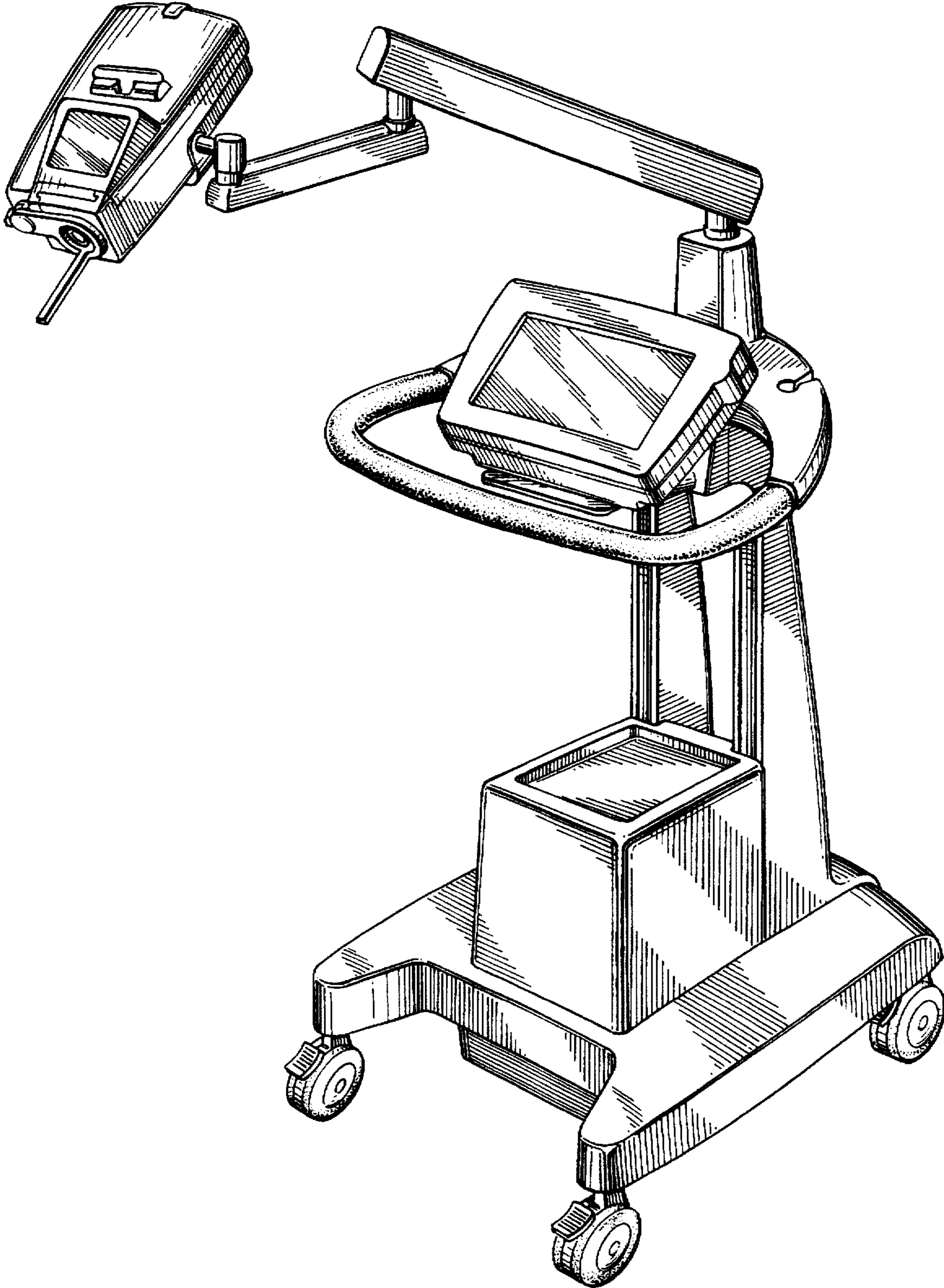


FIG. 1

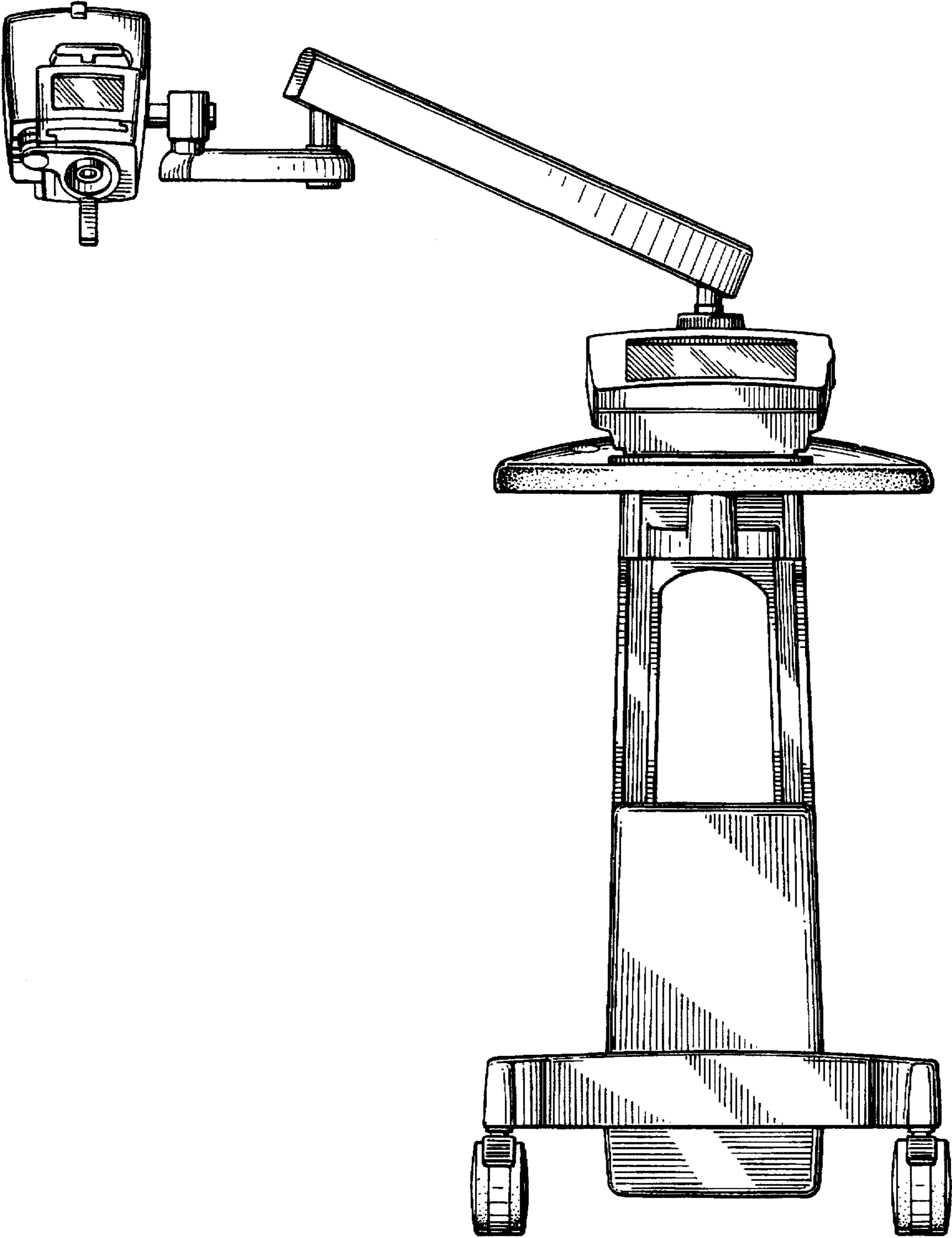


FIG. 2

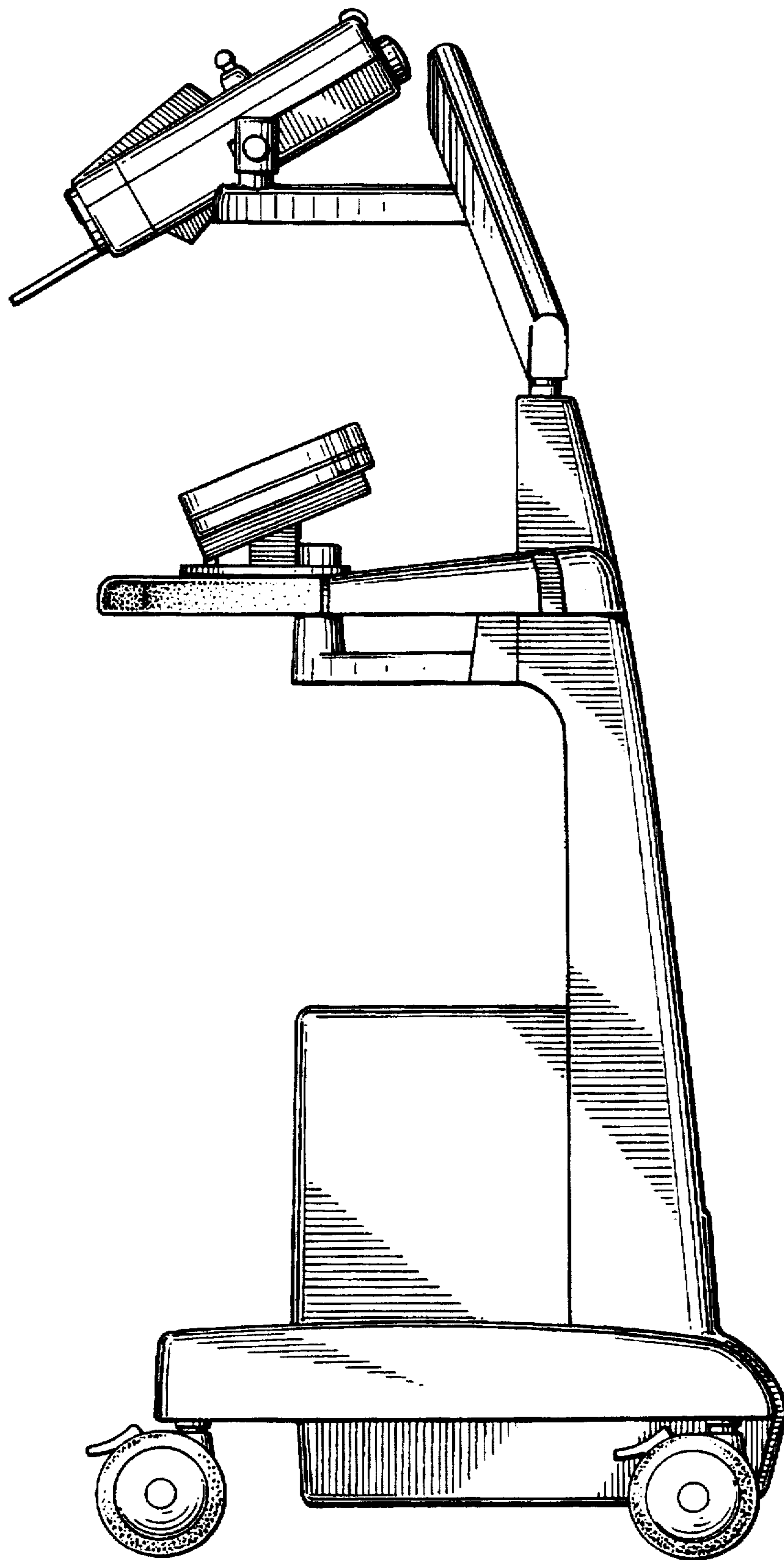


FIG. 3

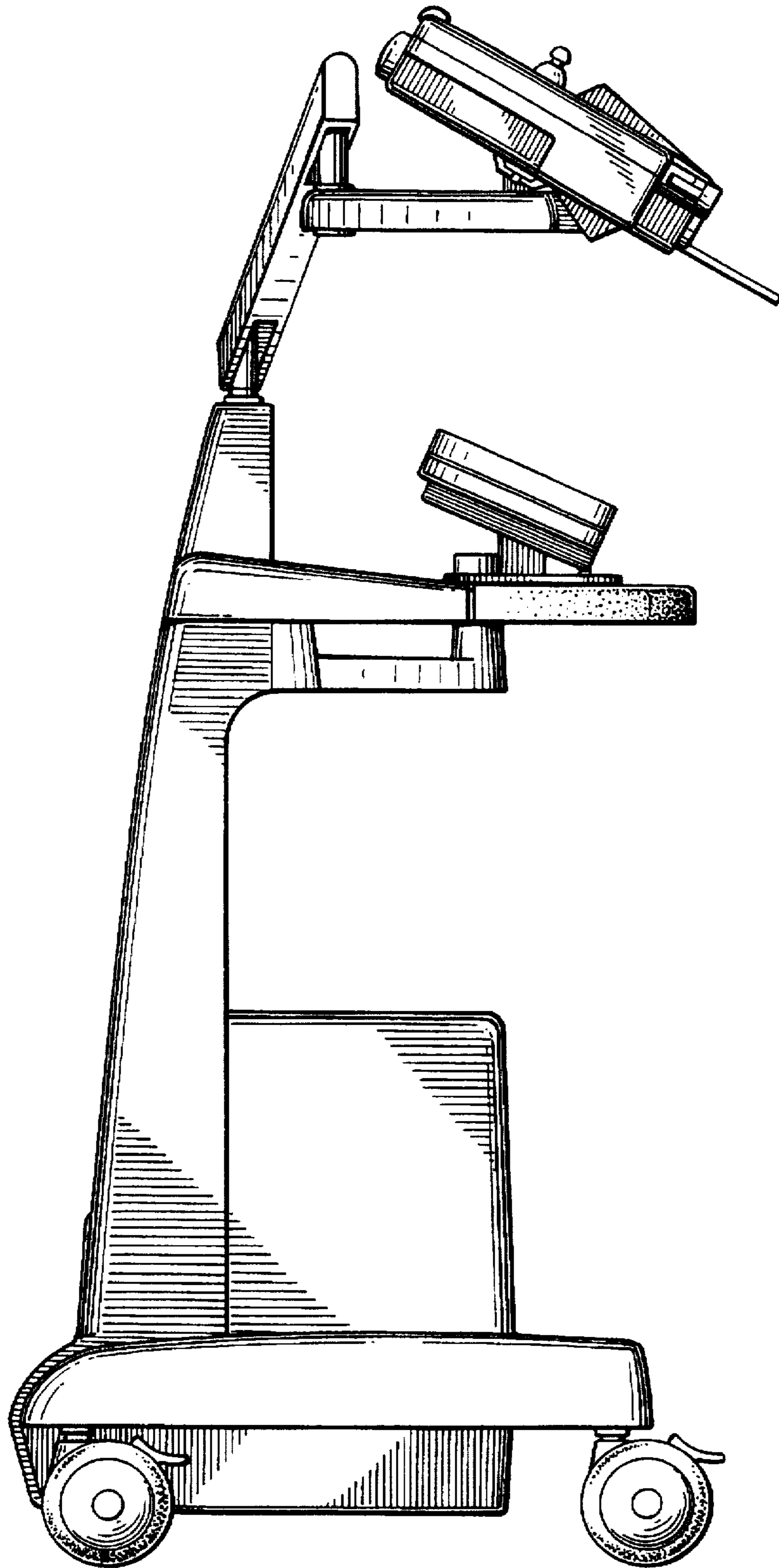


FIG. 4

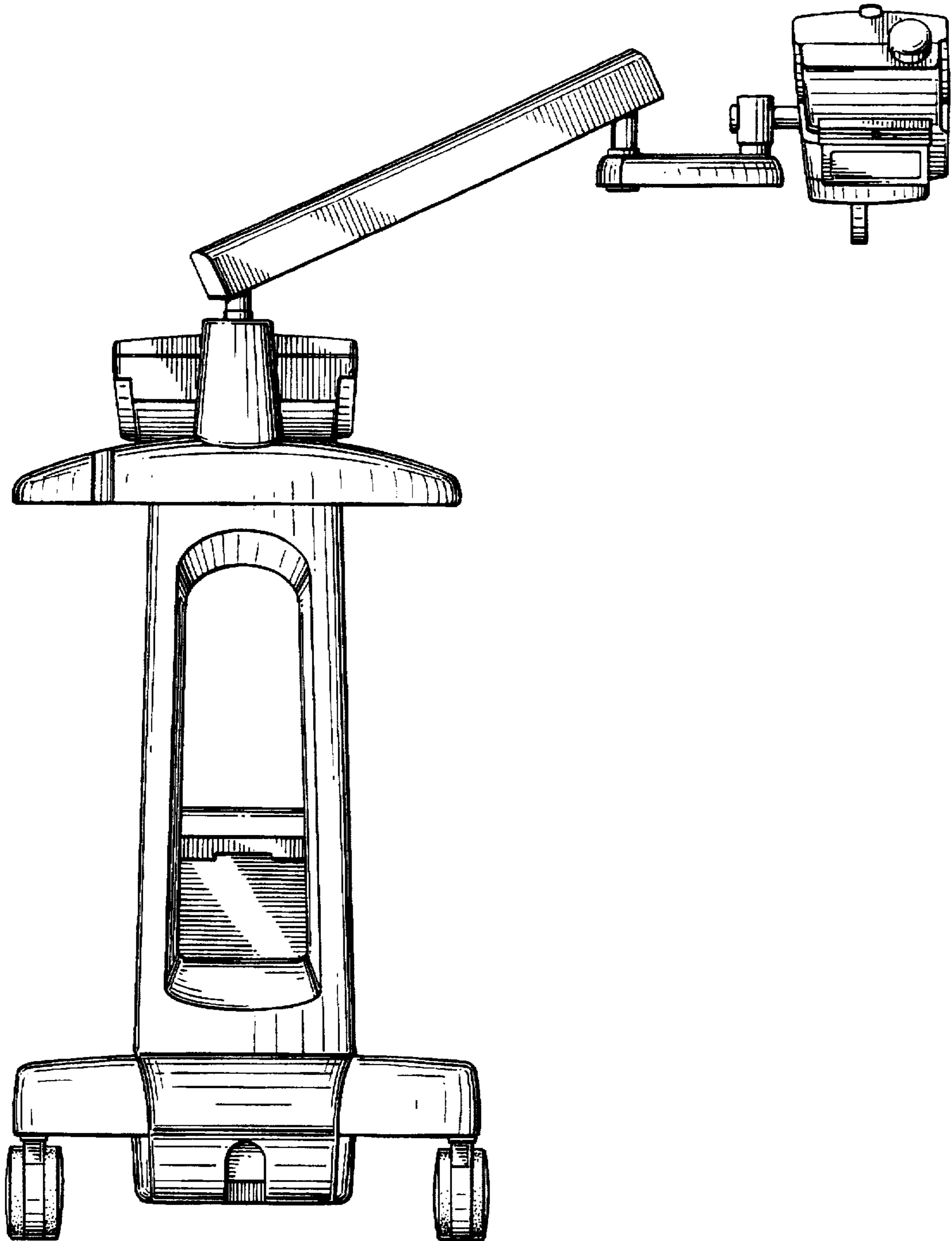


FIG. 5

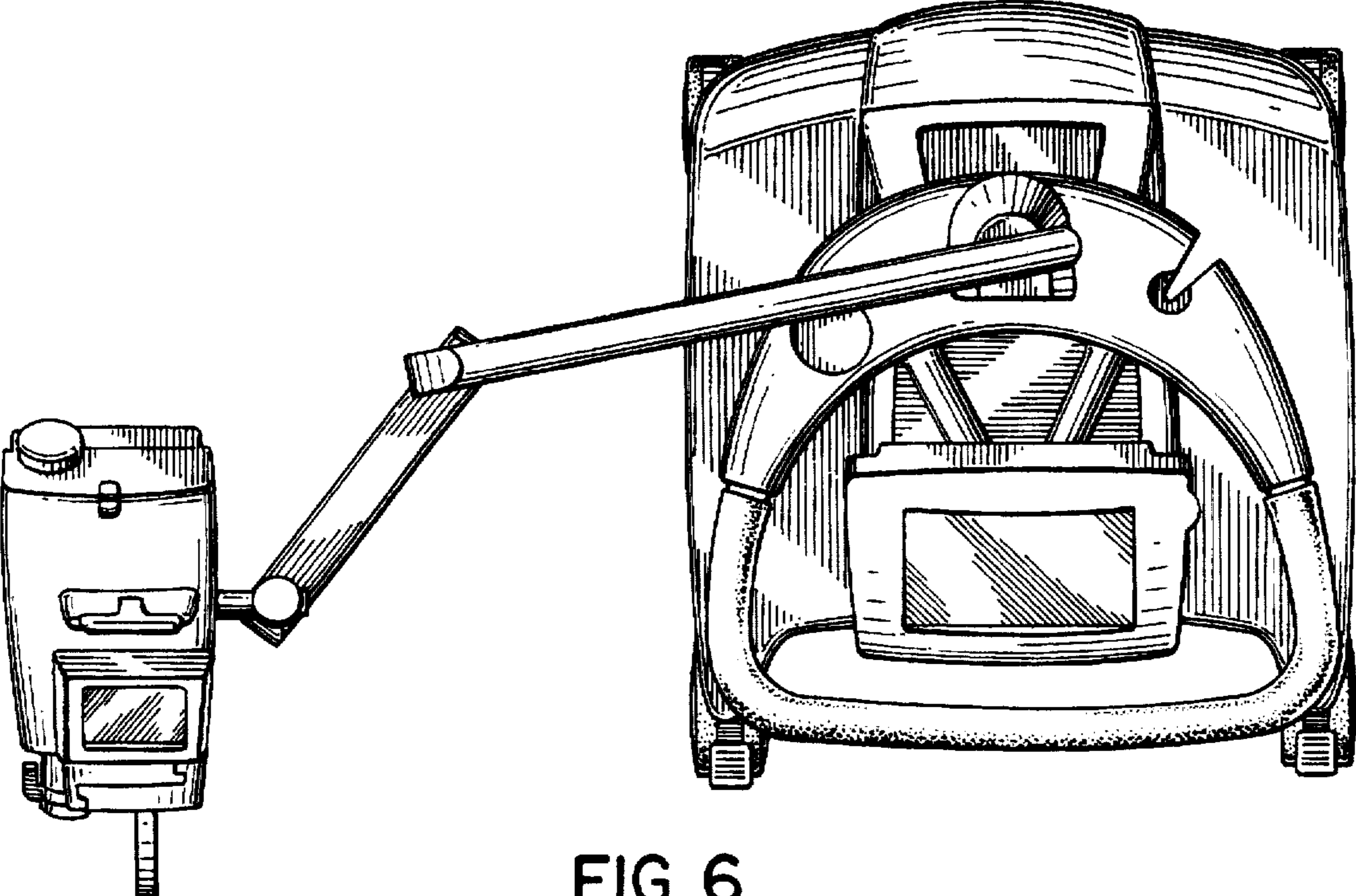


FIG. 6

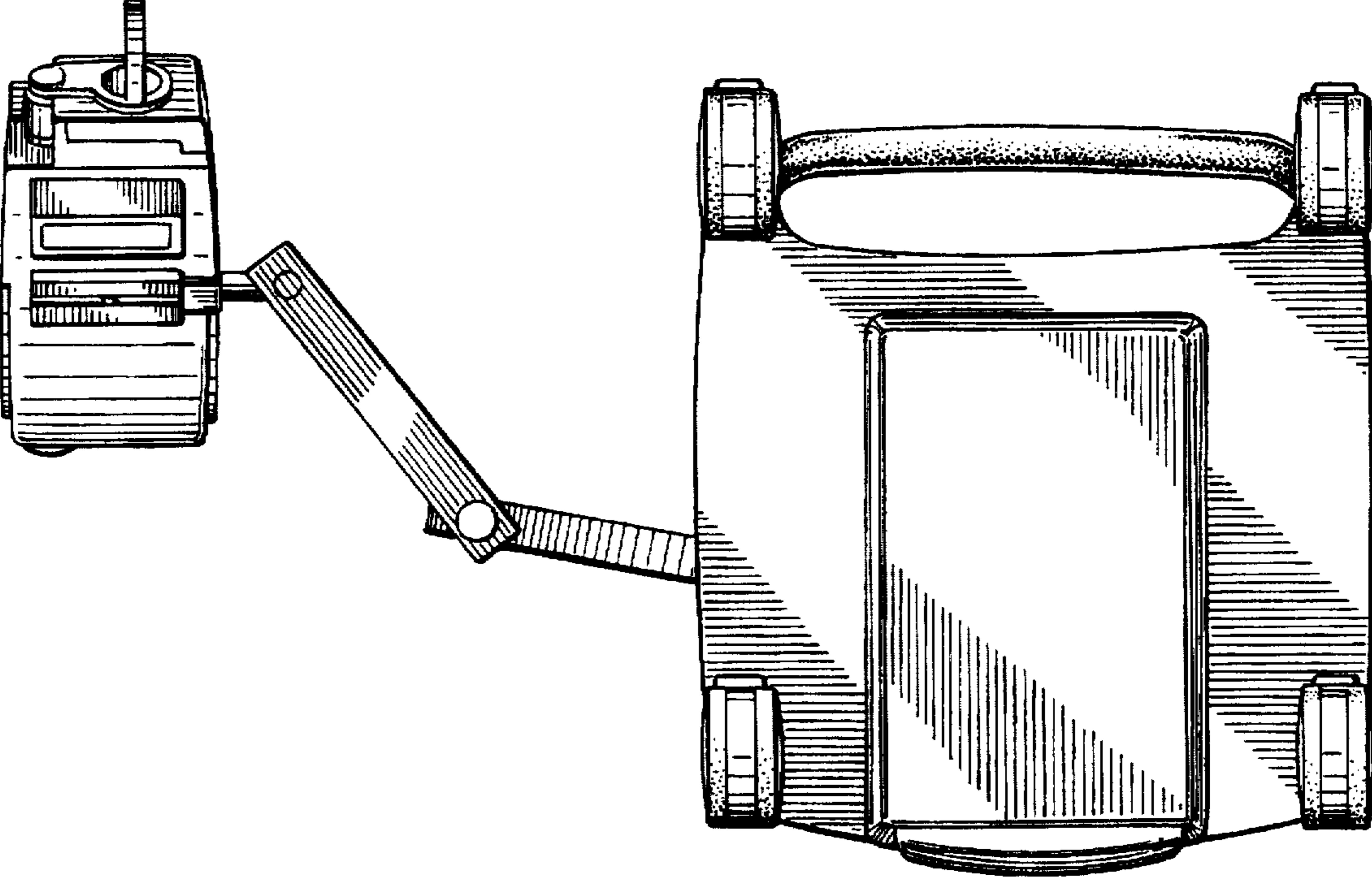


FIG. 7