

US00D391630S

United States Patent [19] Wan

[11] Patent Number: **Des. 391,630**
[45] Date of Patent: ****Mar. 3, 1998**

[54] FAN

[75] Inventor: **Yiu Kwong Wan, Hong Kong, Hong Kong**

[73] Assignee: **Fee Tat Holdings (H.K.) Limited, Hong Kong**

[**] Term: **14 Years**

[21] Appl. No.: **70,616**

[22] Filed: **May 12, 1997**

[30] Foreign Application Priority Data

Nov. 11, 1996 [GB] United Kingdom 2060719

[51] LOC (6) Cl. **23-04**

[52] U.S. Cl. **D23/382; D23/332; D23/381**

[58] Field of Search **D23/381, 382, D23/332, 328, 335, 336, 337, 411, 412; D6/309; 248/676; 416/246 R, 244 R, 247 R; 392/365-369**

[56] References Cited

U.S. PATENT DOCUMENTS

D. 359,116 6/1995 Marvin et al. D23/332

*Primary Examiner—Lisa Lichtenstein
Attorney, Agent, or Firm—Reese Taylor*

[57] CLAIM

The ornamental design for a fan, as shown.

DESCRIPTION

FIG. 1 is a perspective view showing my new design for a fan;

FIG. 2 is a top plan view thereof;

FIG. 3 is a front elevational view thereof;

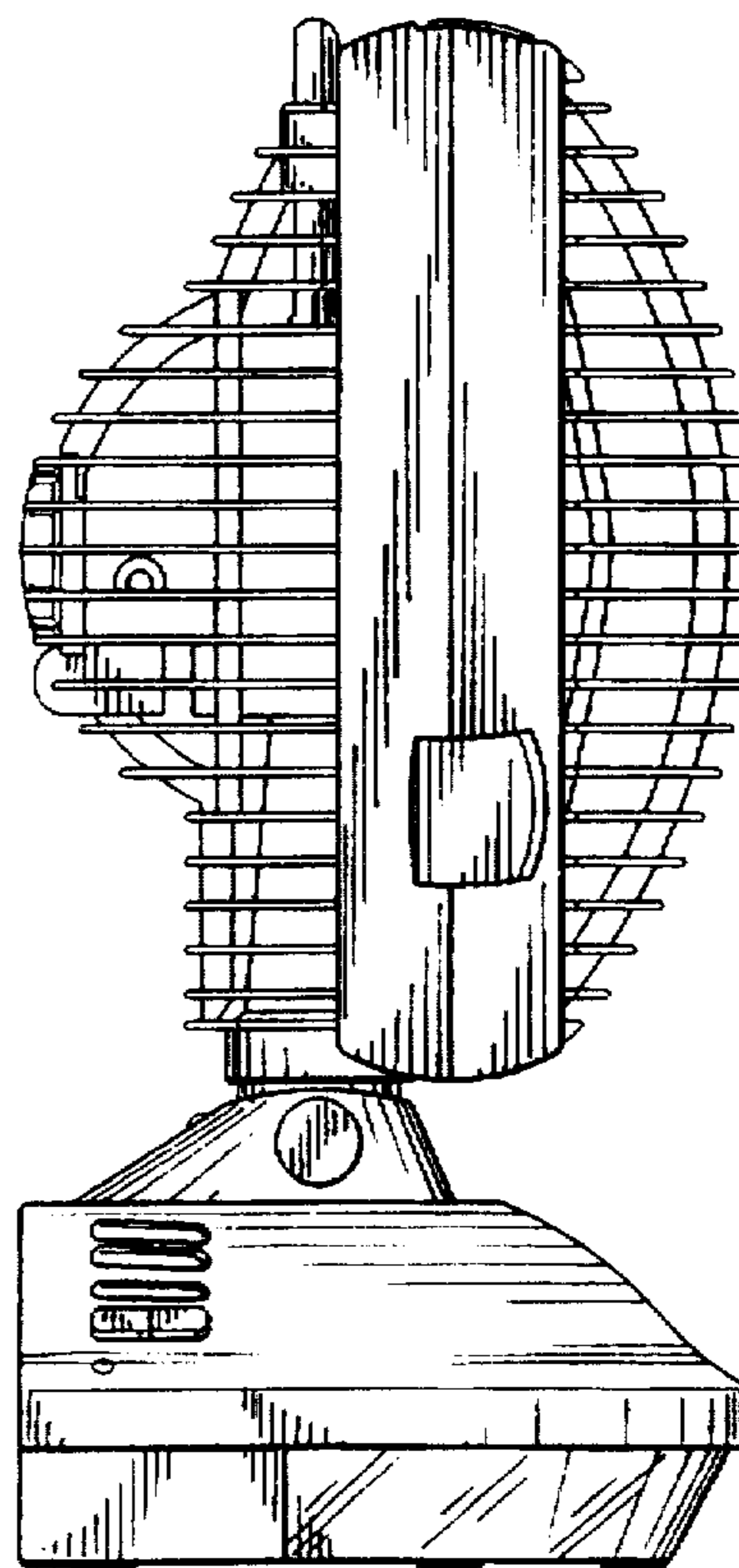
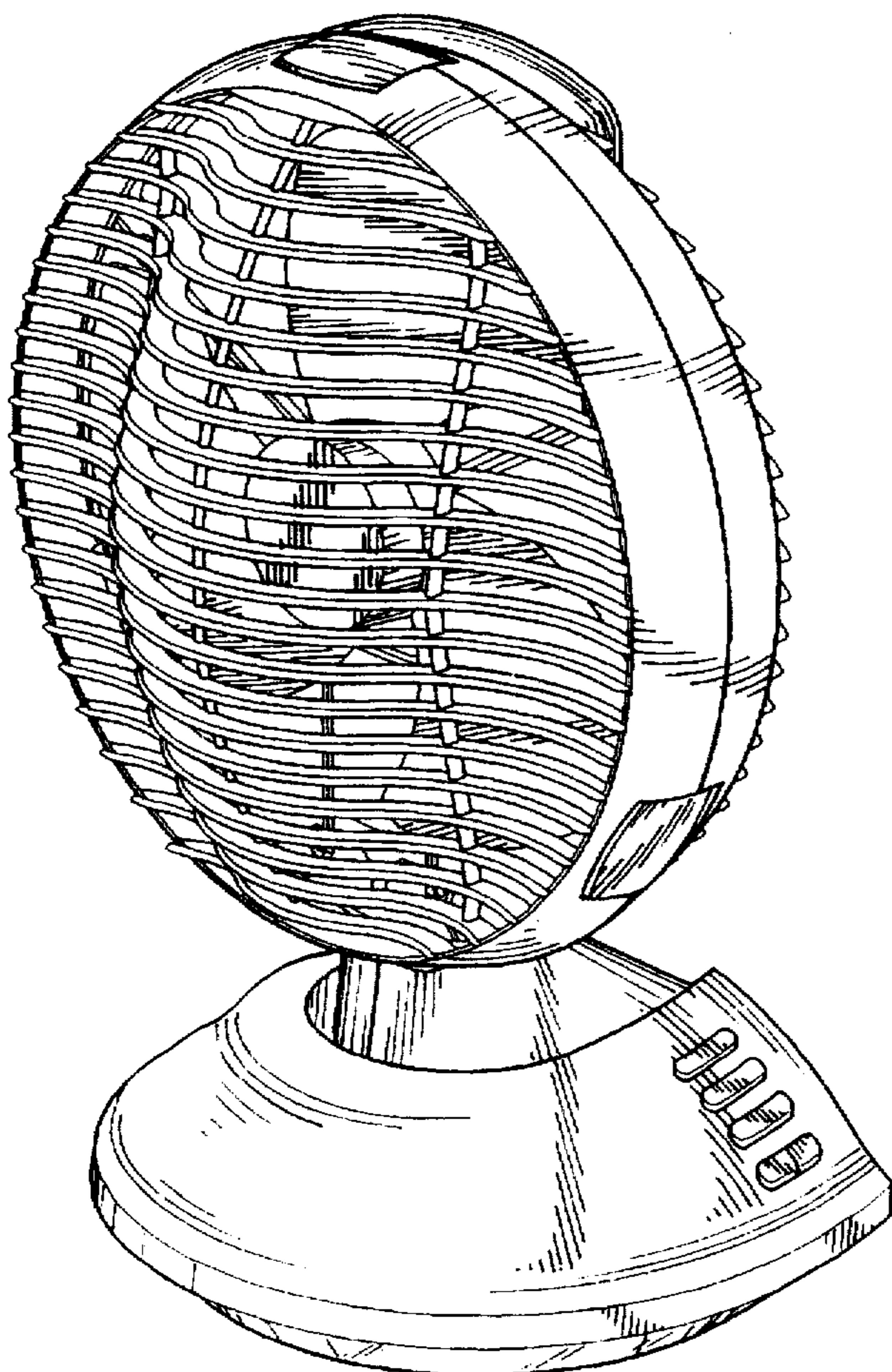
FIG. 4 is a side elevational view taken from the left of FIG. 3;

FIG. 5 is a side elevational view taken from the right of FIG. 3;

FIG. 6 is a rear elevational view; and,

FIG. 7 is a bottom plan view.

1 Claim, 4 Drawing Sheets



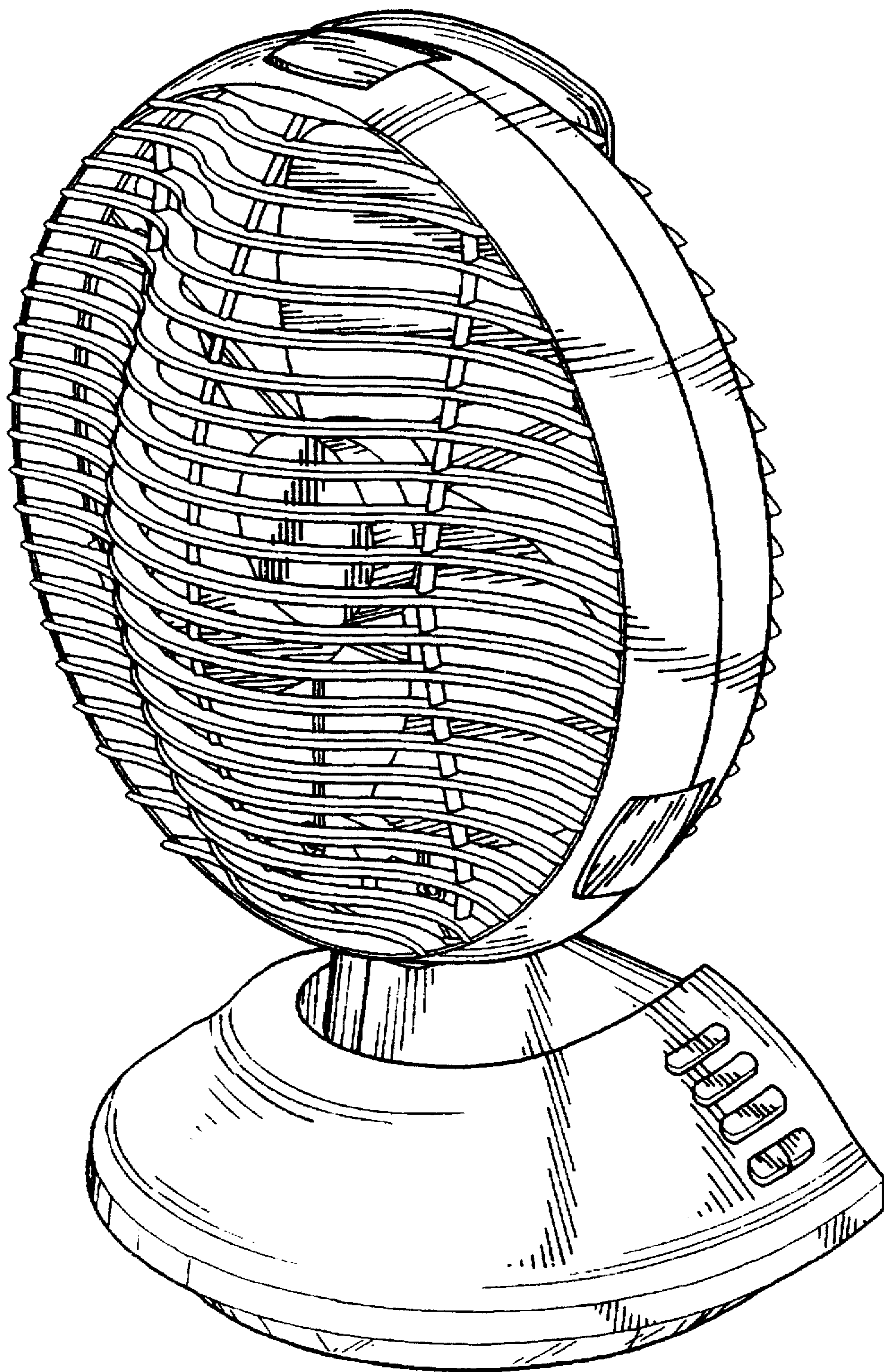


FIG. 1

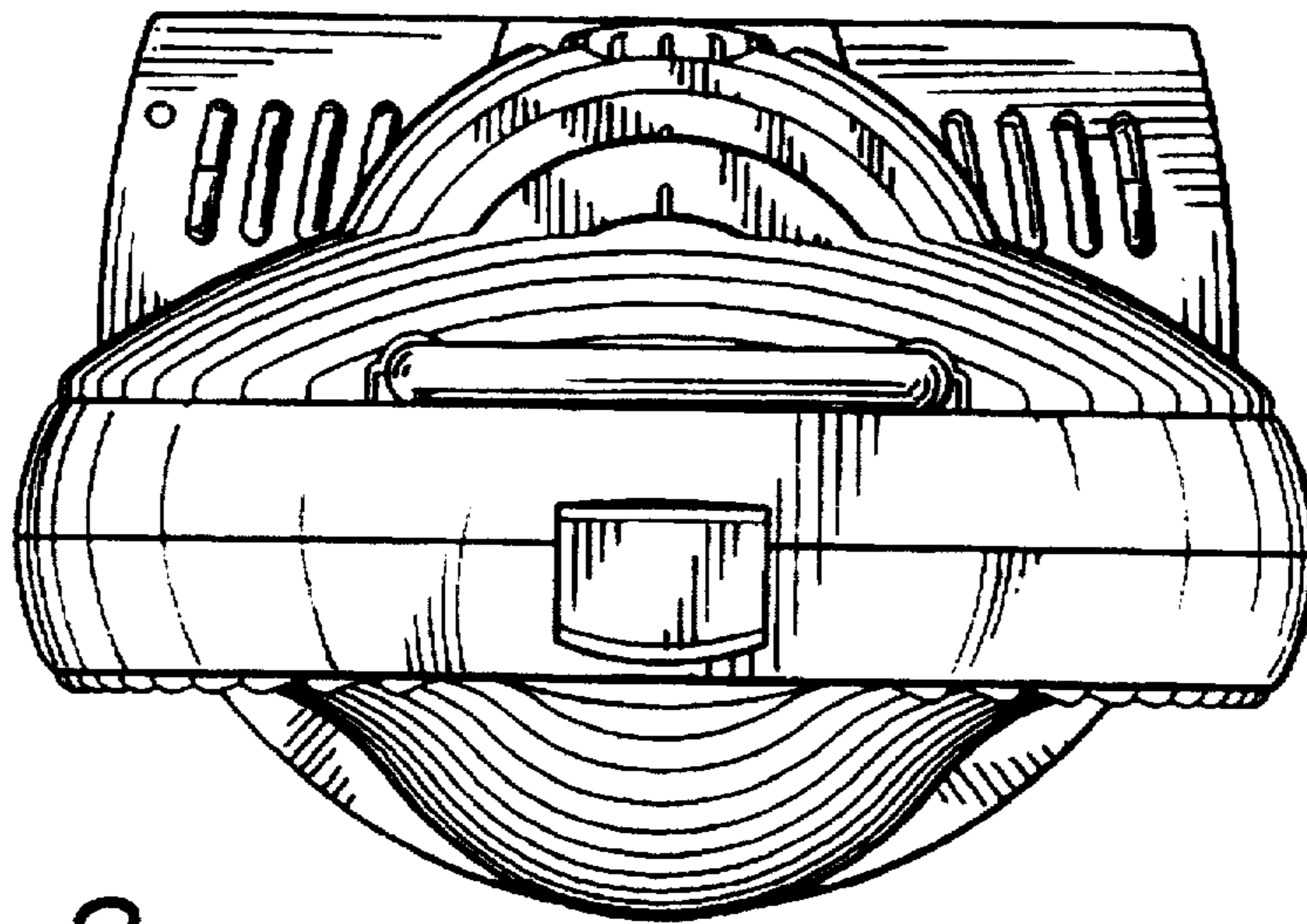


FIG. 2

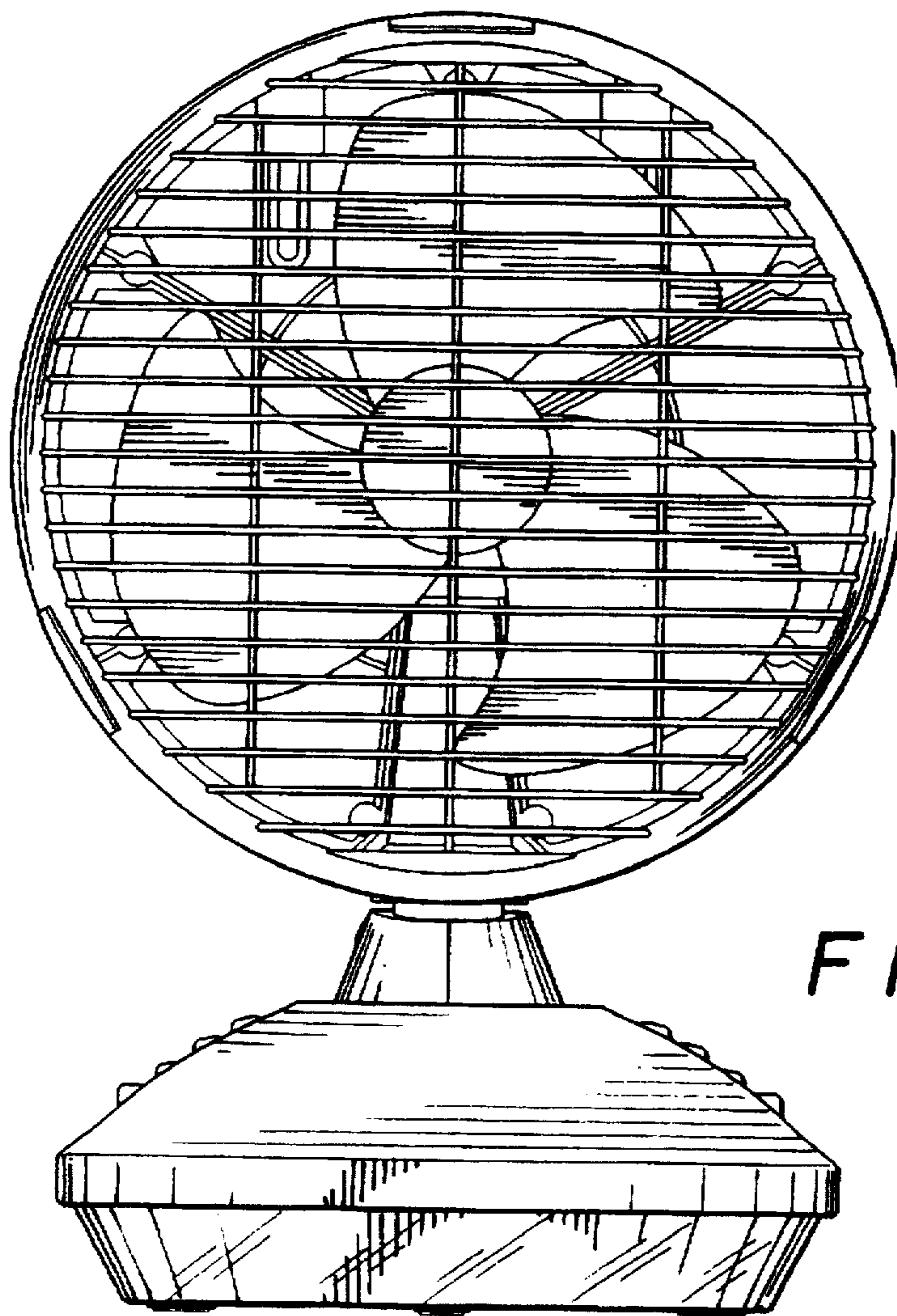


FIG. 3

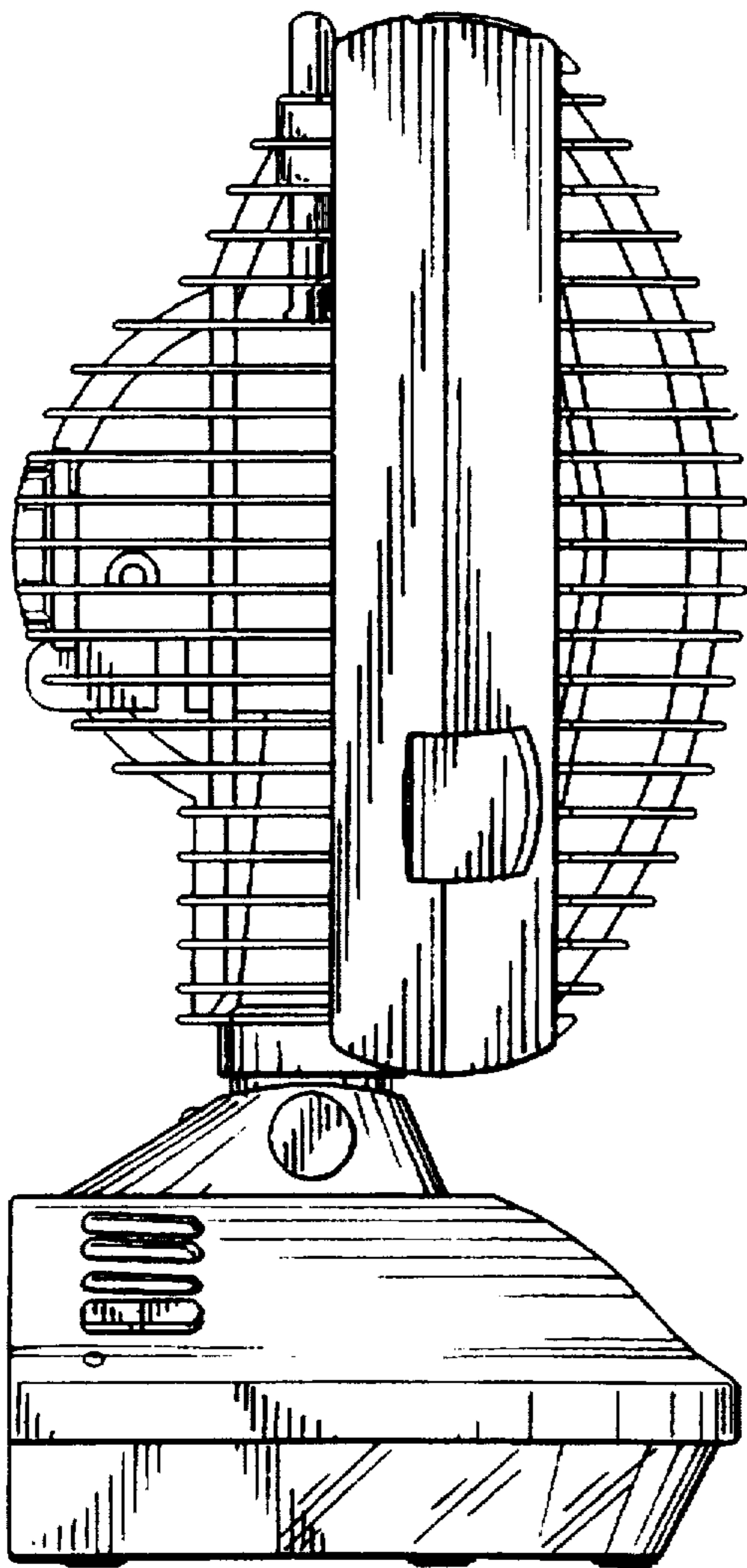


FIG. 4

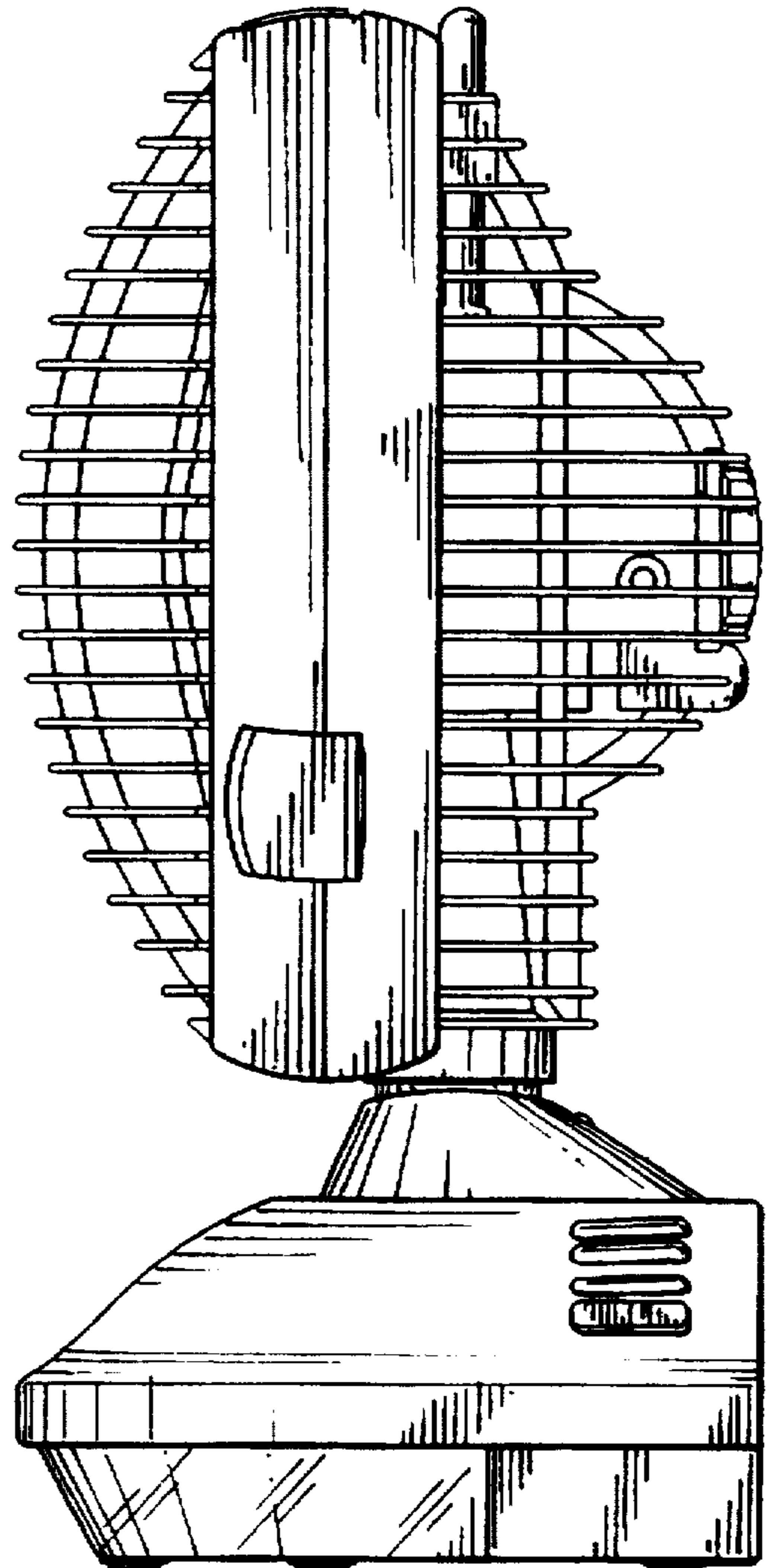


FIG. 5

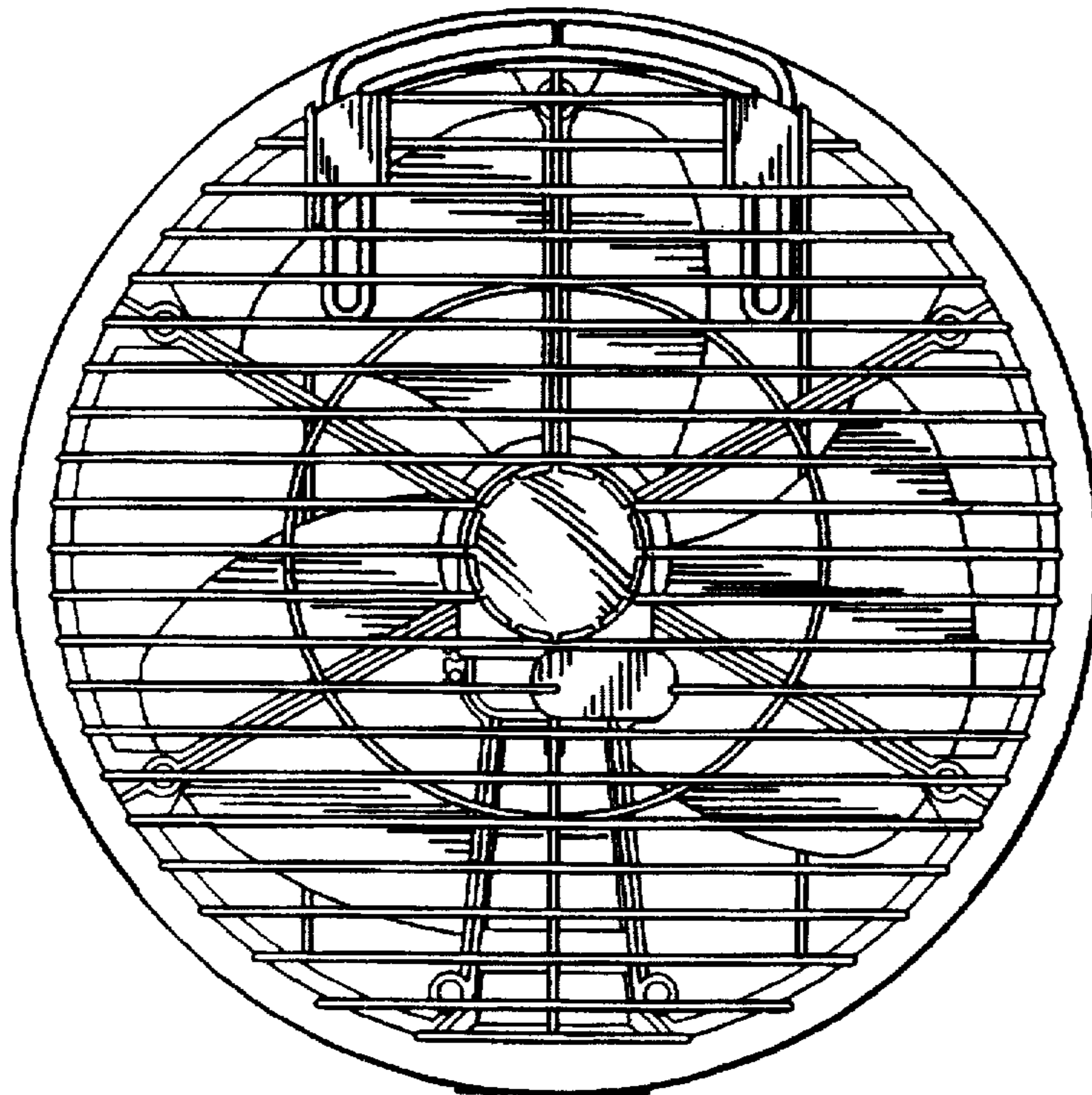


FIG. 6

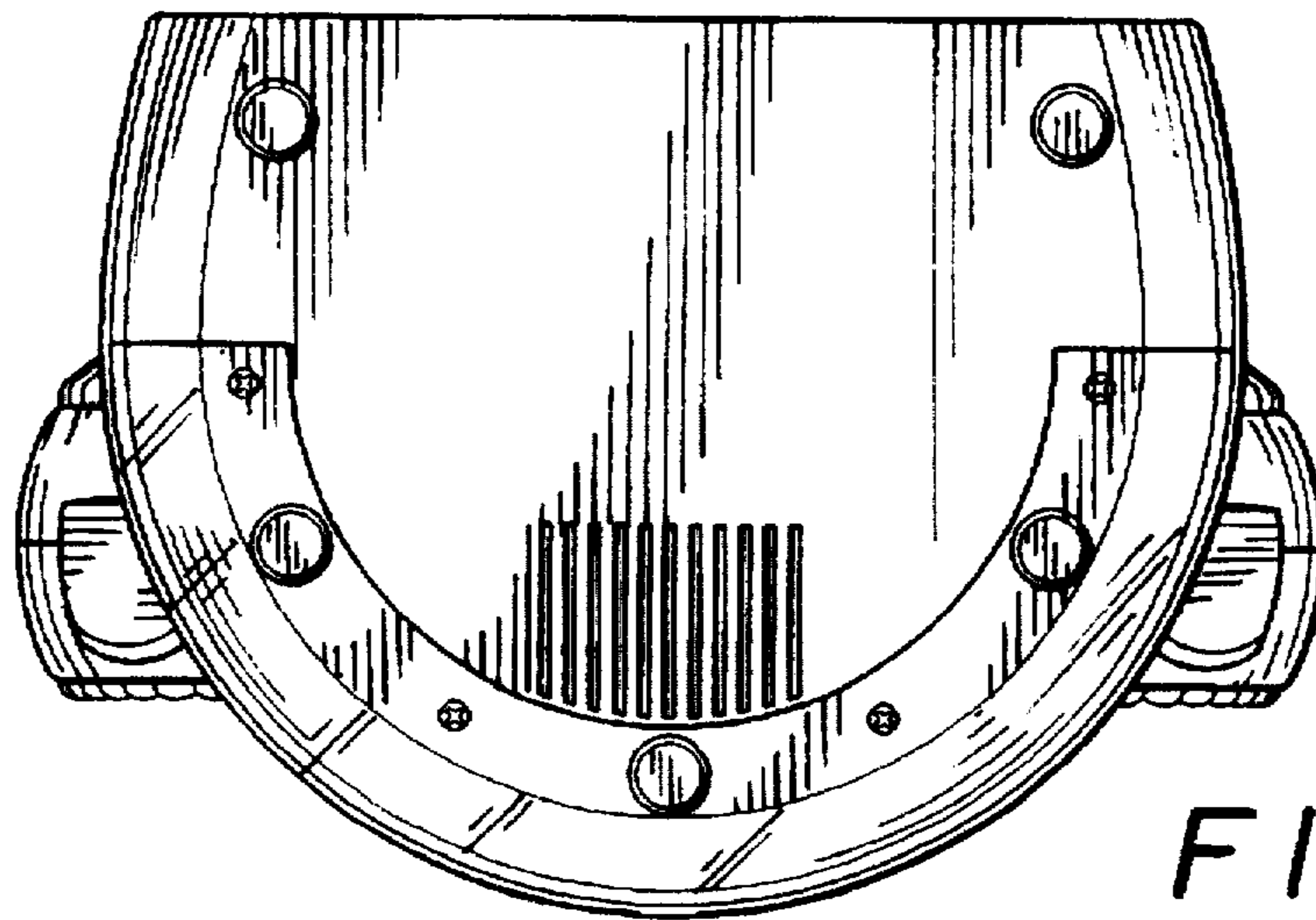
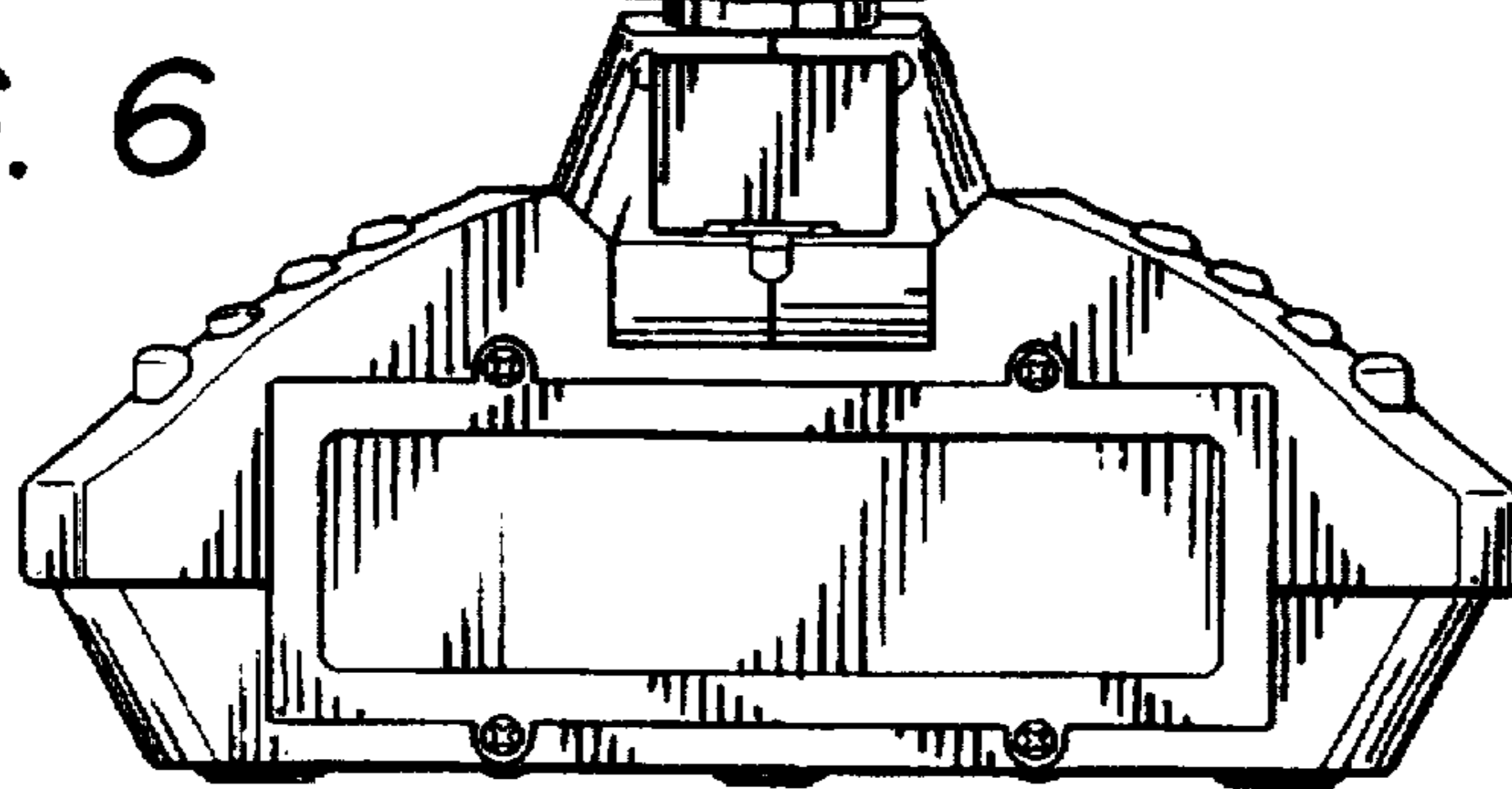


FIG. 7