



US00D391627S

**United States Patent** [19]  
**Goodin**

[11] **Patent Number:** **Des. 391,627**  
[45] **Date of Patent:** **\*\*Mar. 3, 1998**

[54] **PISTOL HOSE NOZZLE WITH ADJUSTABLE SPRAY**

[75] **Inventor:** **John W. Goodin**, Coto De Caza, Calif.

[73] **Assignee:** **L.R. Nelson Corporation**, Peoria, Ill.

[\*\*] **Term:** **14 Years**

[21] **Appl. No.:** **47,935**

[22] **Filed:** **Dec. 15, 1995**

[51] **LOC (6) Cl.** ..... **23-01**

[52] **U.S. Cl.** ..... **D23/226**

[58] **Field of Search** ..... **D23/213, 223-229;**  
**239/394, 525-528, 414-415**

D. 361,122	8/1995	Goodin .	
D. 373,814	9/1996	Wang .....	D23/226
2,937,813	5/1960	Rinkewich .	
2,991,945	7/1961	Rosenkranz .	
3,111,273	11/1963	Mei .	
3,799,447	3/1974	Beal .	
4,219,162	8/1980	Dadson .	
4,534,512	8/1985	Chow et al. .	
4,618,100	10/1986	White et al. .	
4,903,897	2/1990	Hayes .	
5,232,162	8/1993	Chih .	
5,566,886	10/1996	Wang .....	239/394

*Primary Examiner*—Alan P. Douglas  
*Assistant Examiner*—Robin V. Taylor  
*Attorney, Agent, or Firm*—Daniel J. Hulseberg; Mayer Brown & Platt

[56] **References Cited**

**U.S. PATENT DOCUMENTS**

D. 148,892	3/1948	Swimmer .	
D. 185,186	5/1959	Beinert .	
D. 194,014	11/1962	Gilmour .	
D. 225,222	11/1972	Gilmour .	
D. 225,736	1/1973	Mango et al. .	
D. 246,673	12/1977	Hall .	
D. 251,917	5/1979	Morgan .	
D. 270,657	9/1983	Clivio et al. ....	D23/213
D. 291,725	9/1987	Huckenbeck .....	D23/213
D. 300,348	3/1989	Lubeck .	
D. 314,609	2/1991	Liaw et al. ....	D23/226
D. 328,780	8/1992	Aquilina .	

[57] **CLAIM**

The ornamental design for a pistol hose nozzle with adjustable spray, as shown and described.

**DESCRIPTION**

FIG. 1 is a right side elevational view of a pistol hose nozzle with adjustable spray of my new design; FIG. 2 is a left side elevational view thereof; FIG. 3 is a front elevational view thereof; FIG. 4 is a rear elevational view thereof; FIG. 5 is a top plan view thereof; and, FIG. 6 is a bottom plan view thereof.

**1 Claim, 3 Drawing Sheets**

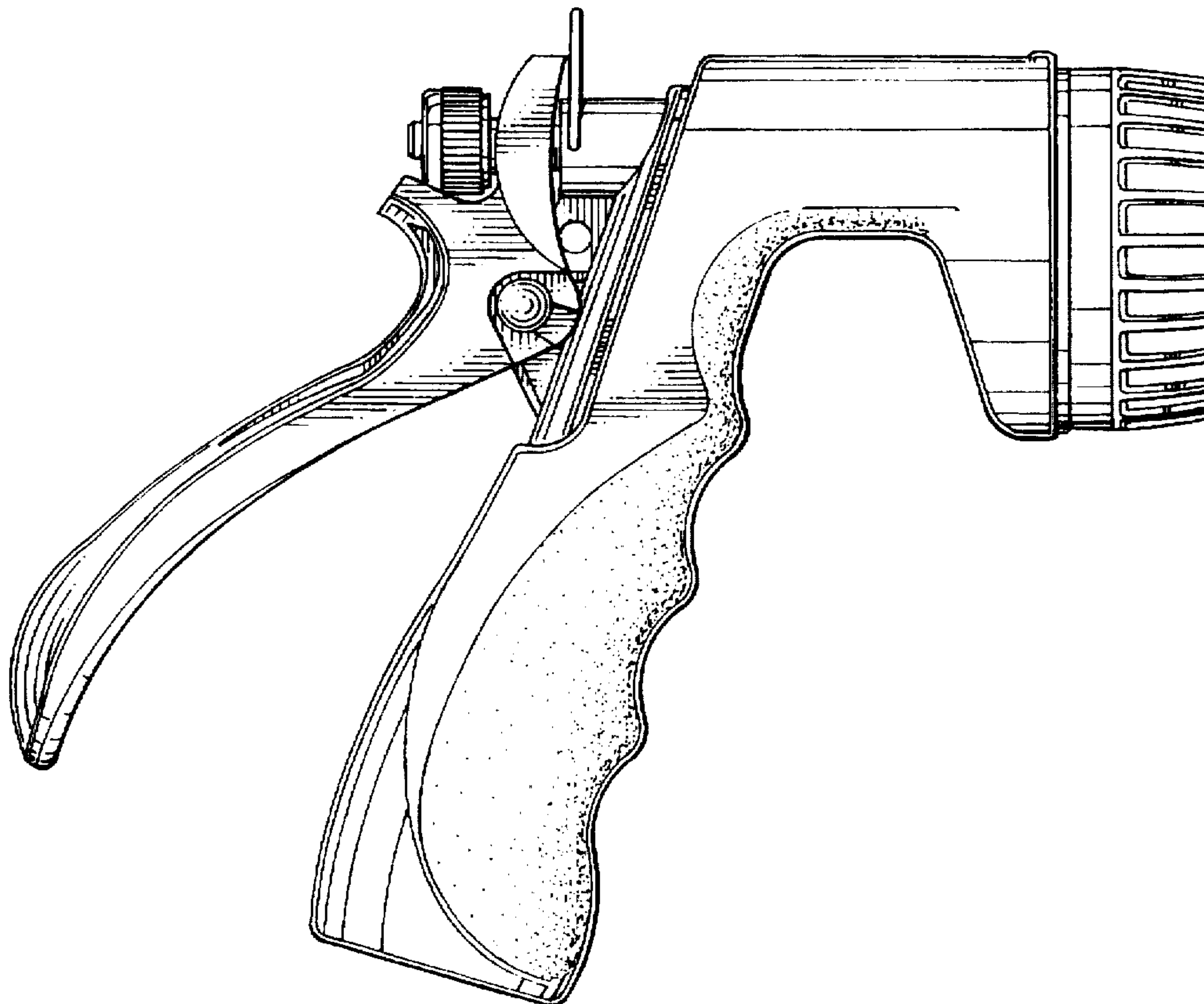


Fig. 1

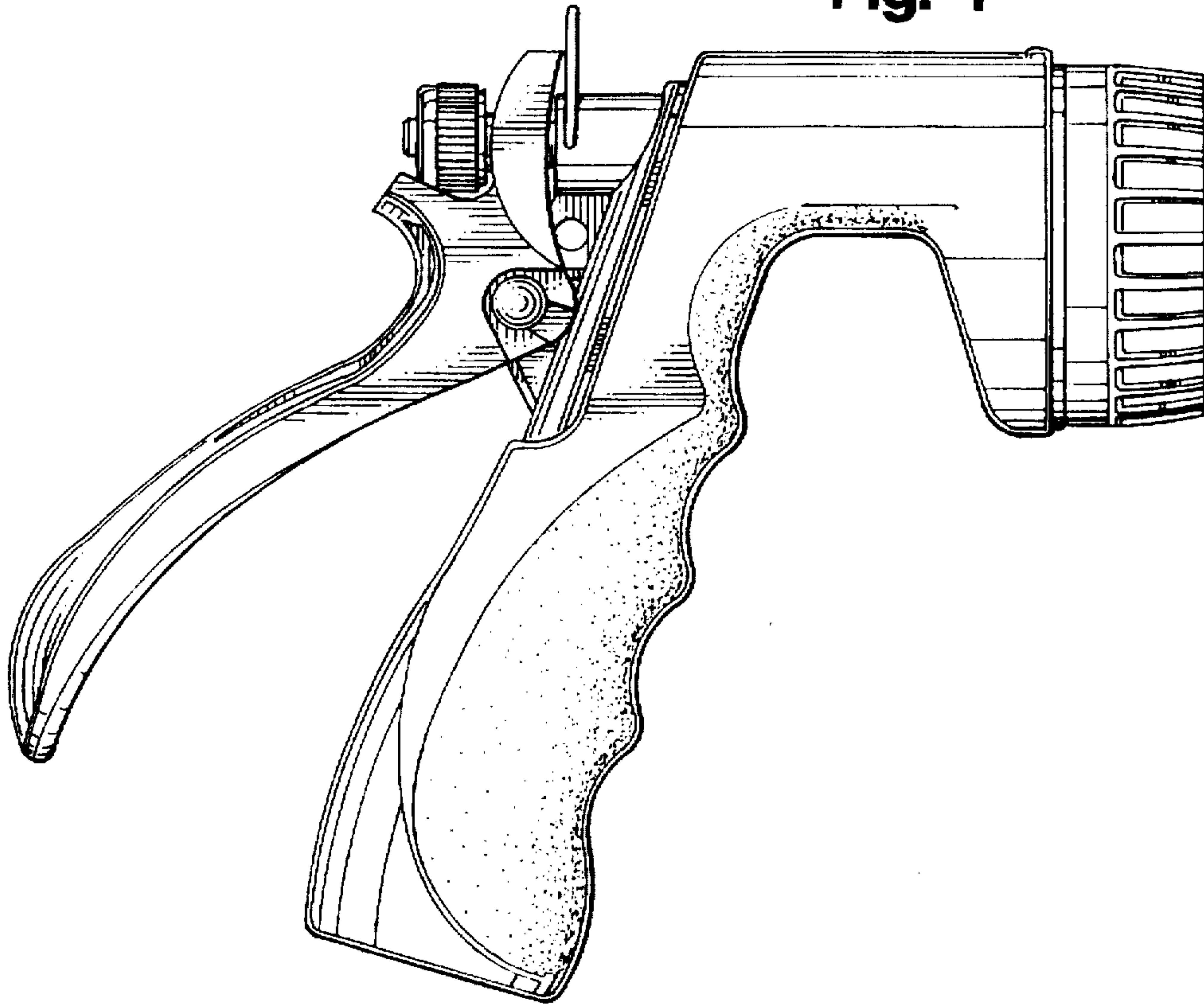
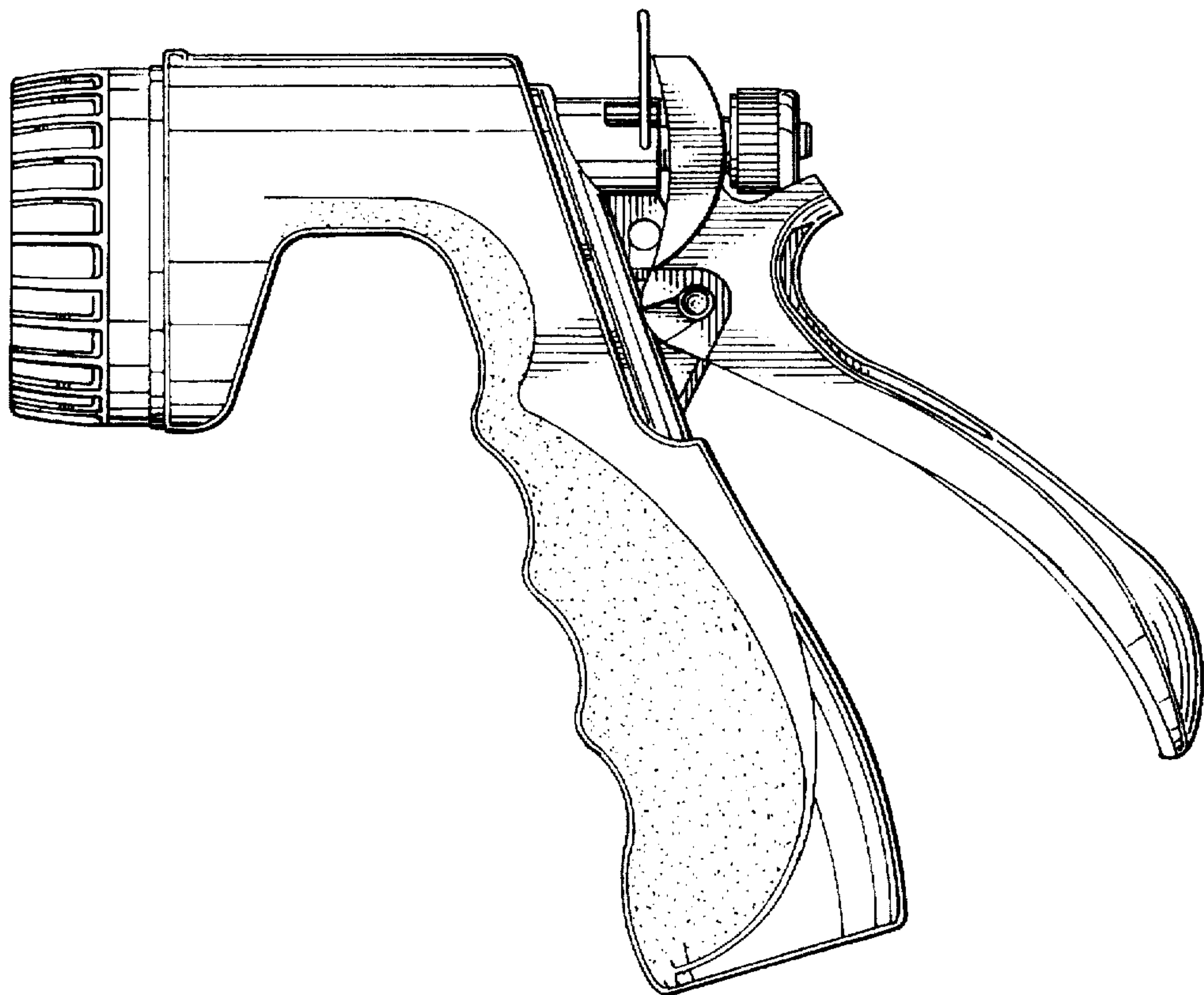


Fig. 2



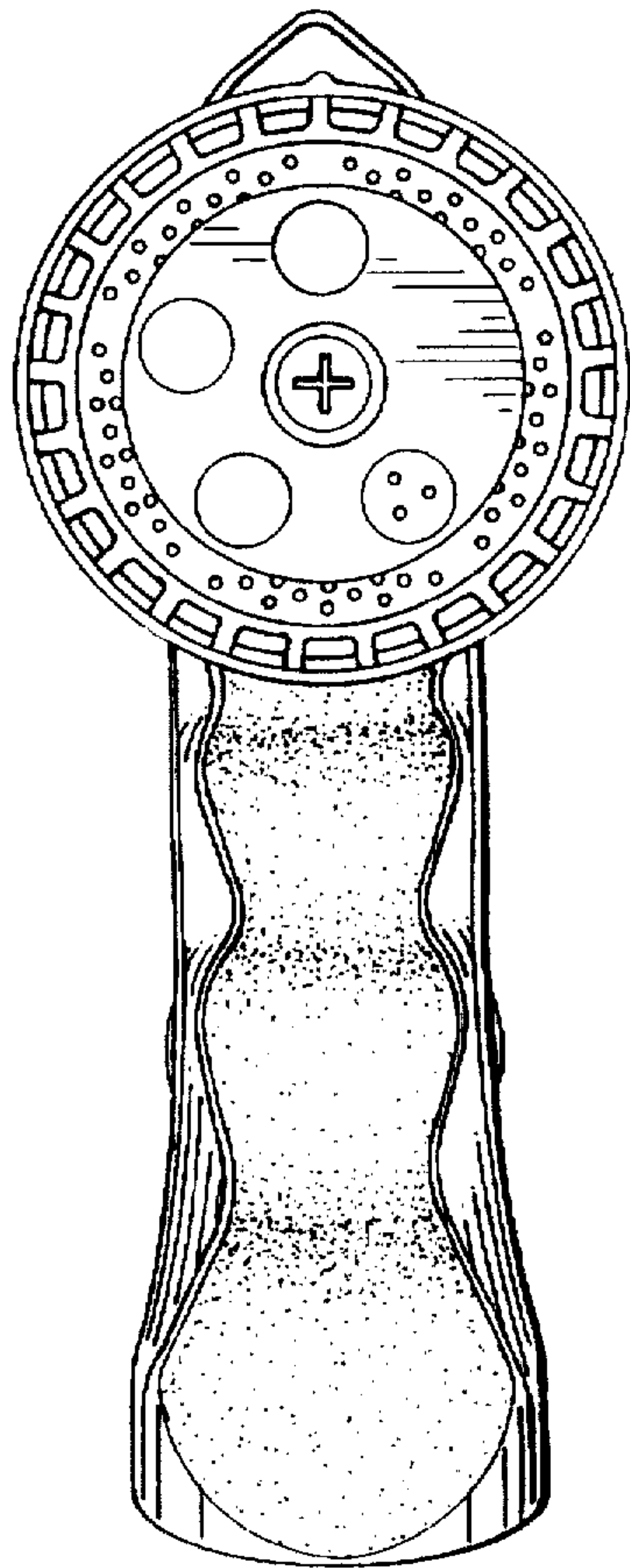
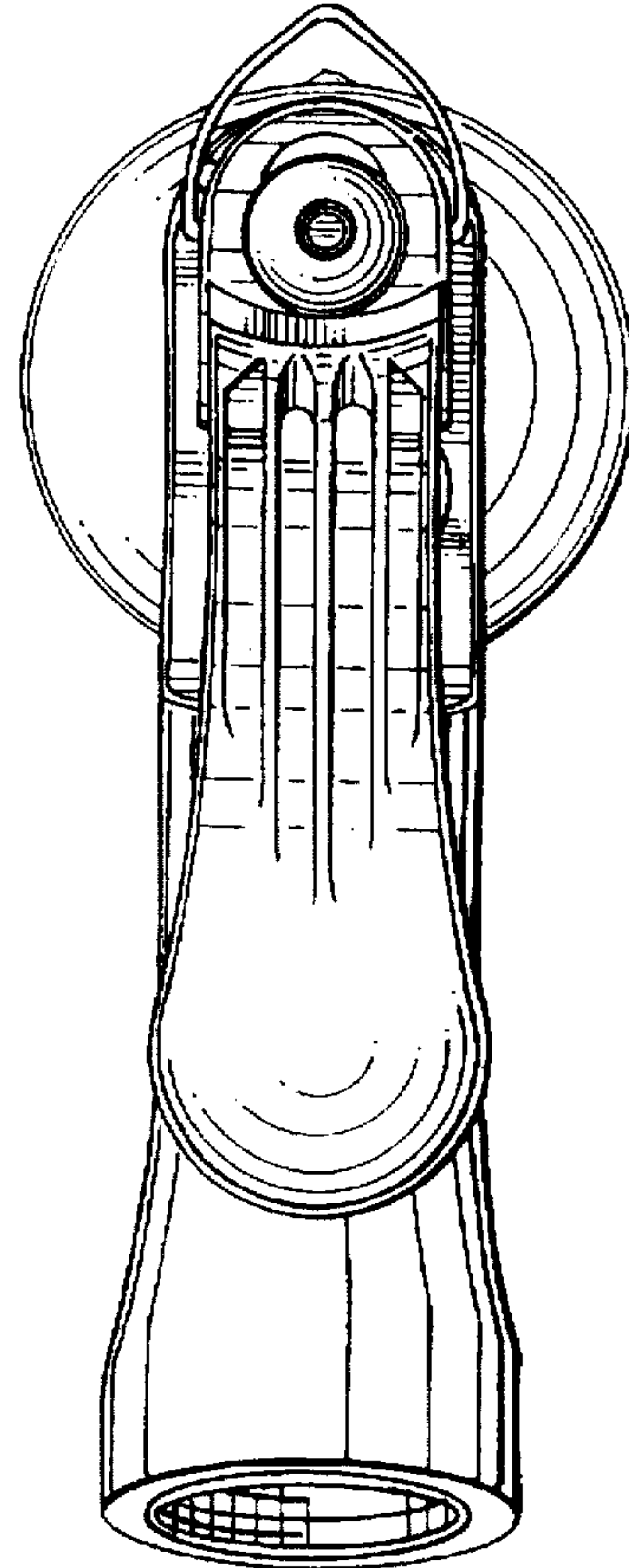


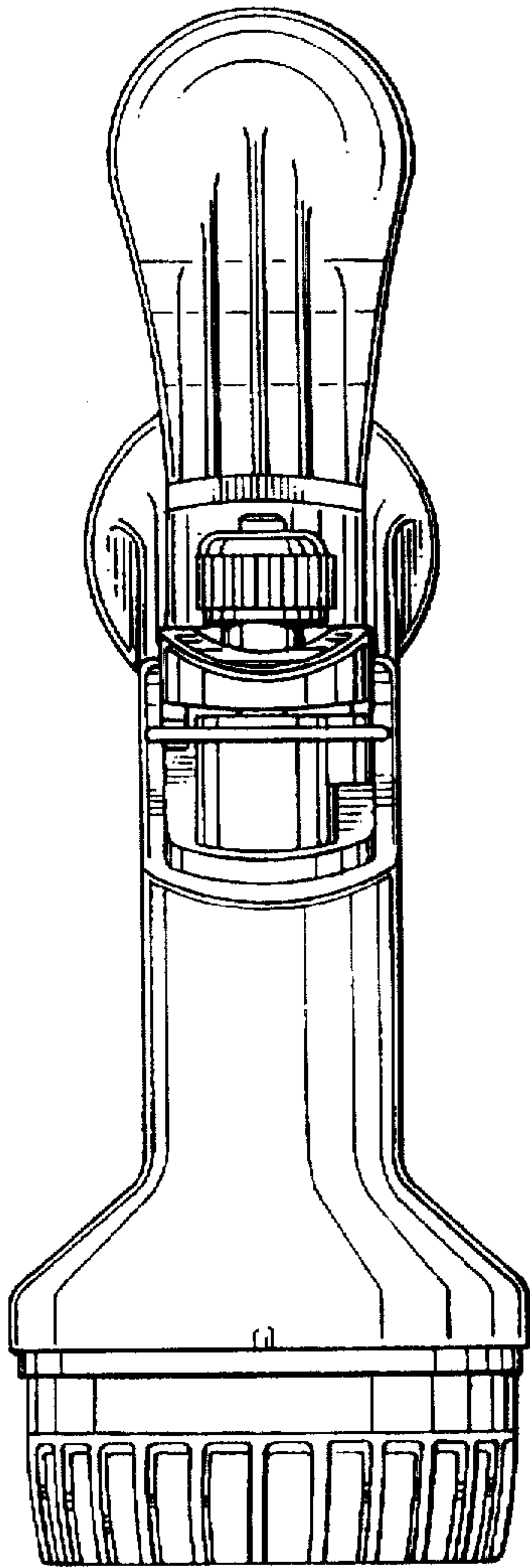
Fig. 3

Fig. 4





**Fig. 5**



**Fig. 6**

