

US00D391625S

United States Patent [19]
Sabatta

[11] **Patent Number:** **Des. 391,625**
[45] **Date of Patent:** ****Mar. 3, 1998**

[54] **SPRINKLER**

D. 194,656 2/1963 Cornwell D23/219
2,883,116 4/1959 Muench D23/219

[76] **Inventor:** **Gregory Sabatta**, P.O. Box 423,
Milnerton, 7435, South Africa

[**] **Term:** **14 Years**

[21] **Appl. No.:** **62,975**

[22] **Filed:** **Mar. 29, 1996**

[30] **Foreign Application Priority Data**

Oct. 3, 1995 [ZA] South Africa A95/0950

[51] **LOC (6) Cl.** **23-01**

[52] **U.S. Cl.** **D23/220; D23/219**

[58] **Field of Search** **D23/213-215,**
D23/218, 219, 22; 239/211, 222.13-222.21,
230, 231, 233

[56] **References Cited**

U.S. PATENT DOCUMENTS

D. 151,118 9/1948 Borgerson D23/219

OTHER PUBLICATIONS

Nelson catalog, #1860 traveling sprinkler, p. 20, 1995.

Primary Examiner—Alan P. Douglas
Assistant Examiner—Robin V. Taylor
Attorney, Agent, or Firm—Ladas & Parry

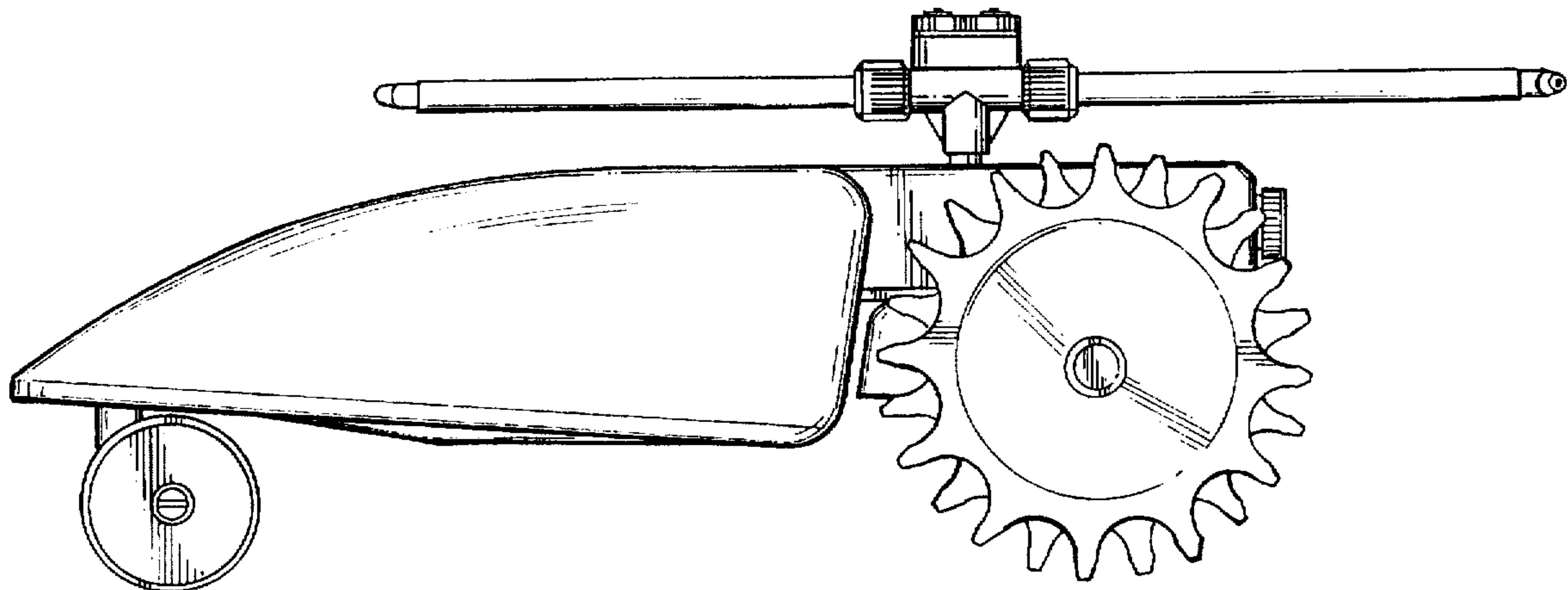
[57] **CLAIM**

The ornamental design for a sprinkler, as shown and described.

DESCRIPTION

FIG. 1 shows a side view of the sprinkler;
FIG. 2 shows a plan view of the sprinkler;
FIG. 3 shows a bottom plan view of the sprinkler;
FIG. 4 shows a rear view of the sprinkler; and,
FIG. 5 shows a front view of the sprinkler.

1 Claim, 4 Drawing Sheets



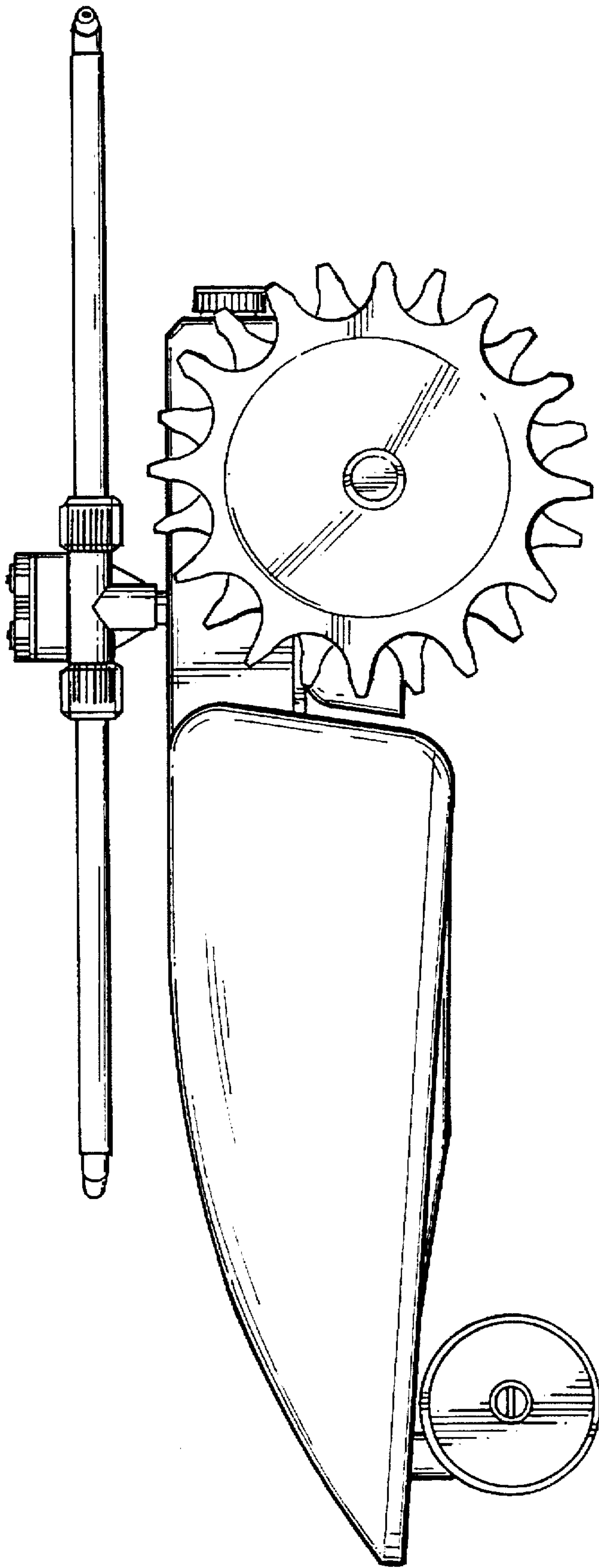


FIG. 1

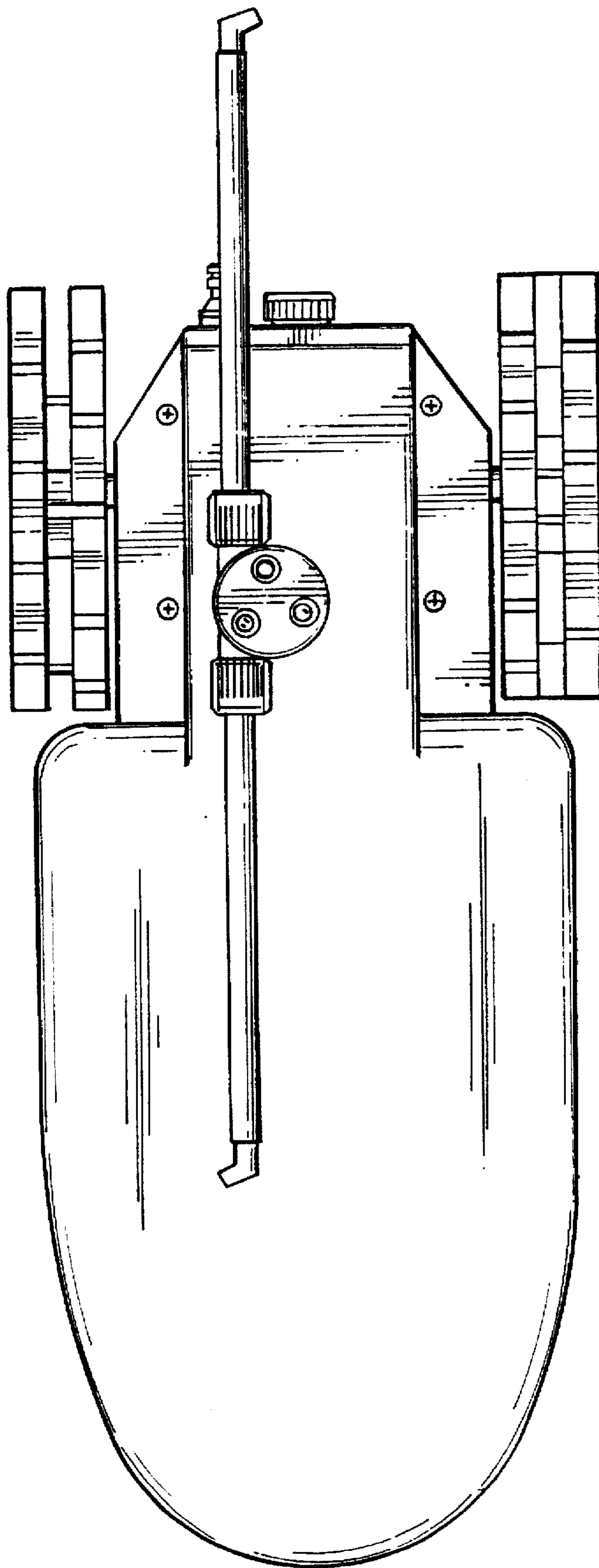


FIG. 2

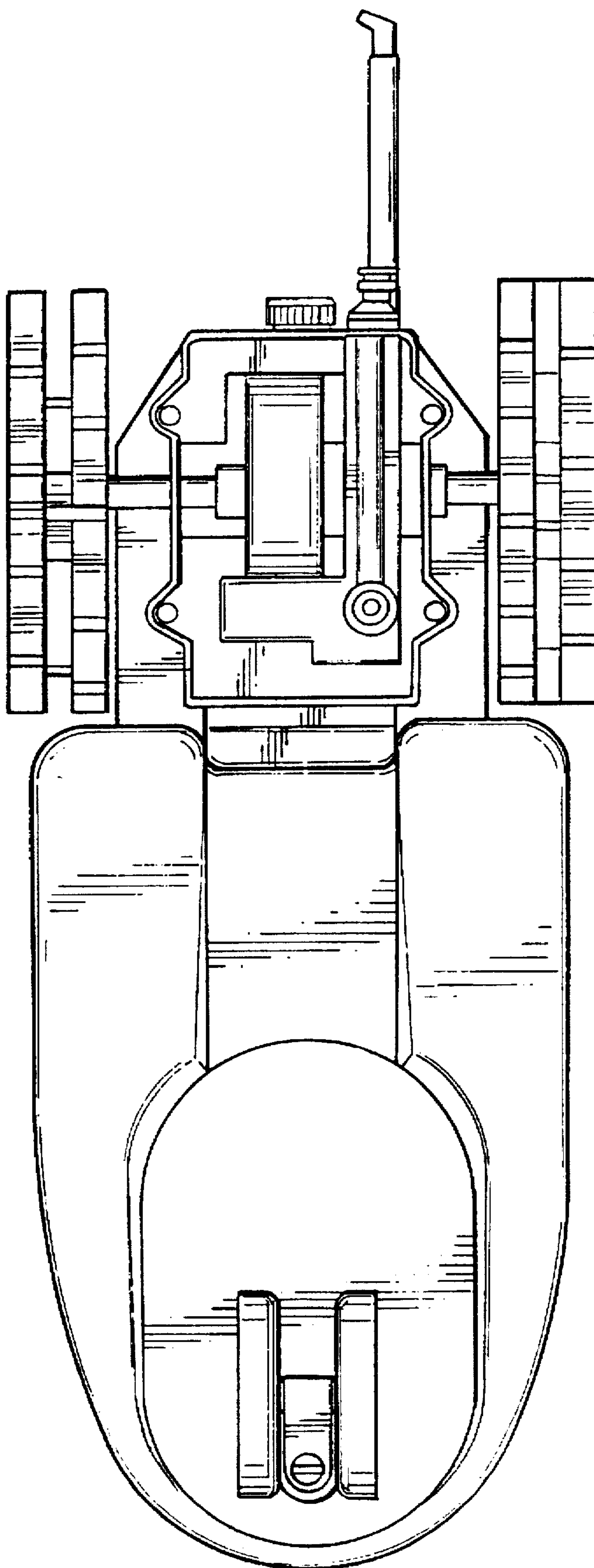


FIG. 3

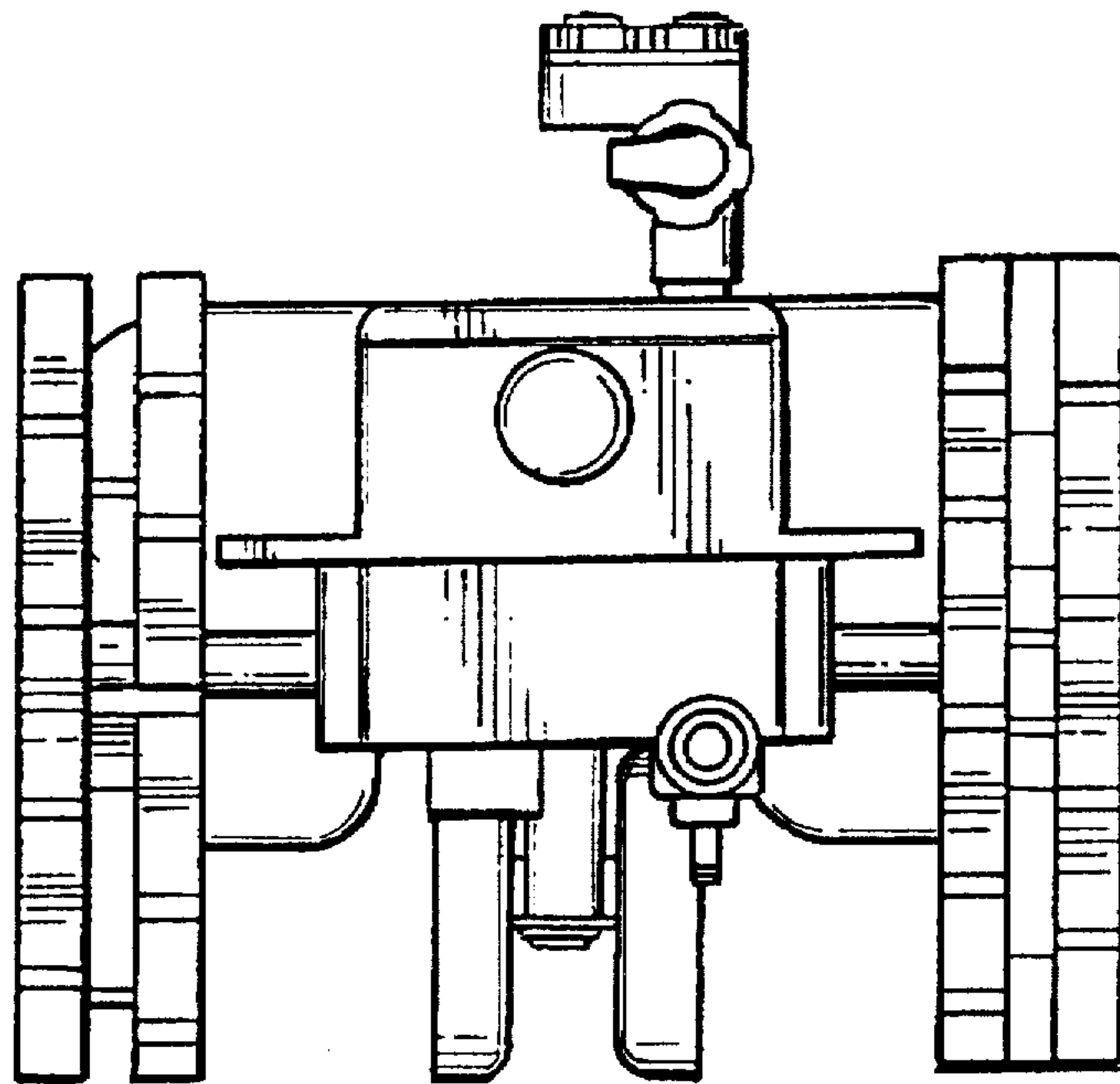


FIG. 4

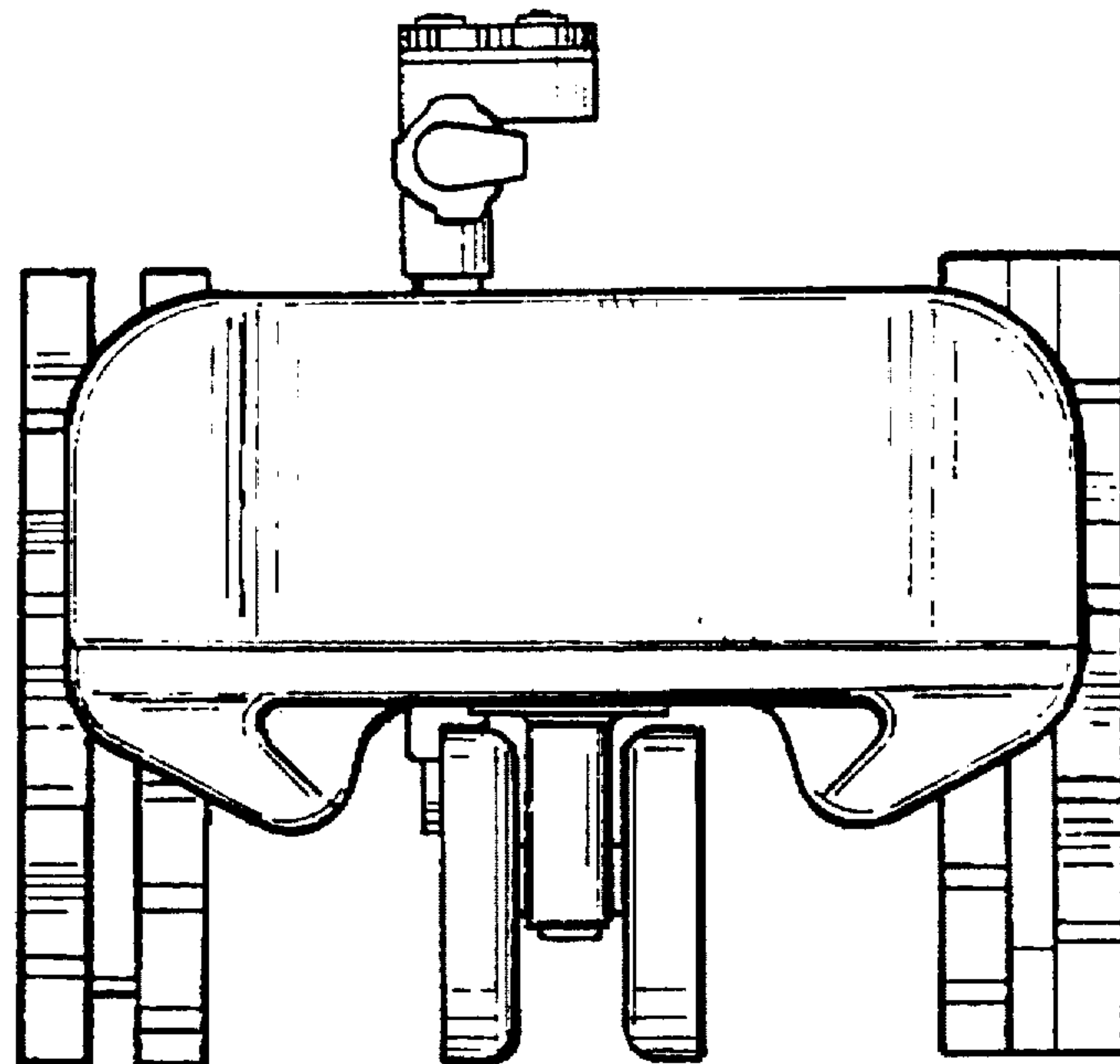


FIG. 5