



US00D391615S

# United States Patent [19] Wilgus

[11] Patent Number: **Des. 391,615**  
[45] Date of Patent: **\*\*Mar. 3, 1998**

[54] **WINDOW PANEL FOR PLAYGROUND STRUCTURE**

[75] Inventor: **Mitchell L. Wilgus**, Farmington, Mo.

[73] Assignee: **Little Tikes Commercial Play Systems, Inc.**, Farmington, Mo.

[\*\*] Term: **14 Years**

[21] Appl. No.: **58,939**

[22] Filed: **Aug. 29, 1996**

[51] LOC (6) Cl. .... **21-03**

[52] U.S. Cl. .... **D21/240**

[58] Field of Search ..... D21/240, 247,  
D21/108, 109; 482/35, 36; 446/110, 314,  
124, 125

[56] **References Cited**

**U.S. PATENT DOCUMENTS**

D. 170,143	8/1953	Bethoven	.....	D34/15
D. 281,986	12/1985	Nottingham et al.	.....	D21/114
D. 353,866	12/1994	Houry et al.	.....	D21/240
D. 353,867	12/1994	Houry et al.	.....	D21/240
D. 354,108	1/1995	Houry et al.	.....	D21/240
D. 358,441	5/1995	Houry et al.	.....	D21/240
D. 367,308	2/1996	Kelley et al.	.....	D21/240
D. 370,959	6/1996	Houry	.....	D21/240 X
5,580,316	12/1996	Hill et al.	.....	472/116 X

**OTHER PUBLICATIONS**

P. 69, Storefront panel; Playworld Systems, 315 Cherry Street, P. O. Box 505, New Berlin, Pennsylvania 17855. Publication date 1995.  
P. 53, House; Community Playthings, Box 901, Rifton, New York 12471-0901. Publication date 1993-94.

P. 3, Clubhouse; Swing N Slide Corp., 1212 Barberry Drive, Janesville, Wisconsin 53545. Publication date Nov. 29, 1993.

P. 7, Store panel; Landscape Structures Inc., 601 7th Street South, Delano, Minnesota 55328. Publication date 1991. Pp. 64 and 80, Workshop and Townhall; Kompan, Inc., 2235 Clarks Corners Road, Marathon, New York 13803. Publication date 1994.

Pp. 70 and 73, Ice Cream and store panels; GameTime, Inc., P. O. Box 121, Fort Payne, Alabama 35967. Publication date 1995.

P. 57, Shop front; Paris Playground Equipment Inc., 21 Scott Avenue, P. O. Box 125, Paris, Ontario, Canada N3L 3E7. Publication date Sep. 27, 1993.

Catalog page, Counter panel; Iron Mountain Forge Corporation, One Iron Mountain Drive, P.O. Box 897, Farmington, Missouri 63460. Publication date 1995.

*Primary Examiner*—Raphael Barkai  
*Assistant Examiner*—Mitchell I. Siegel  
*Attorney, Agent, or Firm*—Richard B. O'Planick; Lisa B. Riedesel

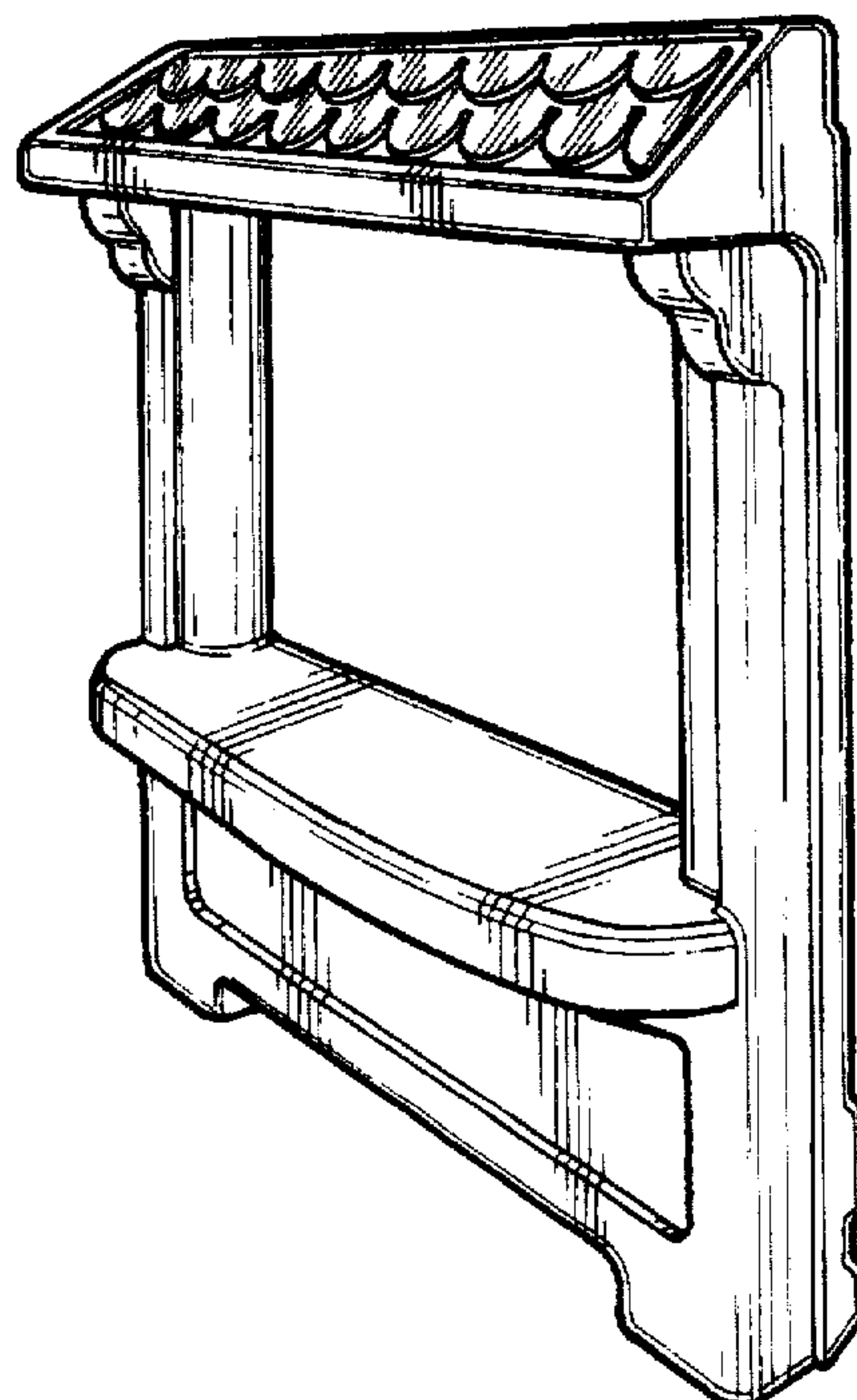
[57] **CLAIM**

The ornamental design for a window panel for playground structure, as shown and described.

**DESCRIPTION**

FIG. 1 is a top right front perspective view of a window panel for playground structure showing my new design; FIG. 2 is a front elevational view thereof; FIG. 3 is a top plan view thereof; FIG. 4 is a right side elevational view thereof, the left side elevational view being a mirror image; FIG. 5 is a rear elevational view thereof; and, FIG. 6 is a bottom plan view thereof.

**1 Claim, 3 Drawing Sheets**



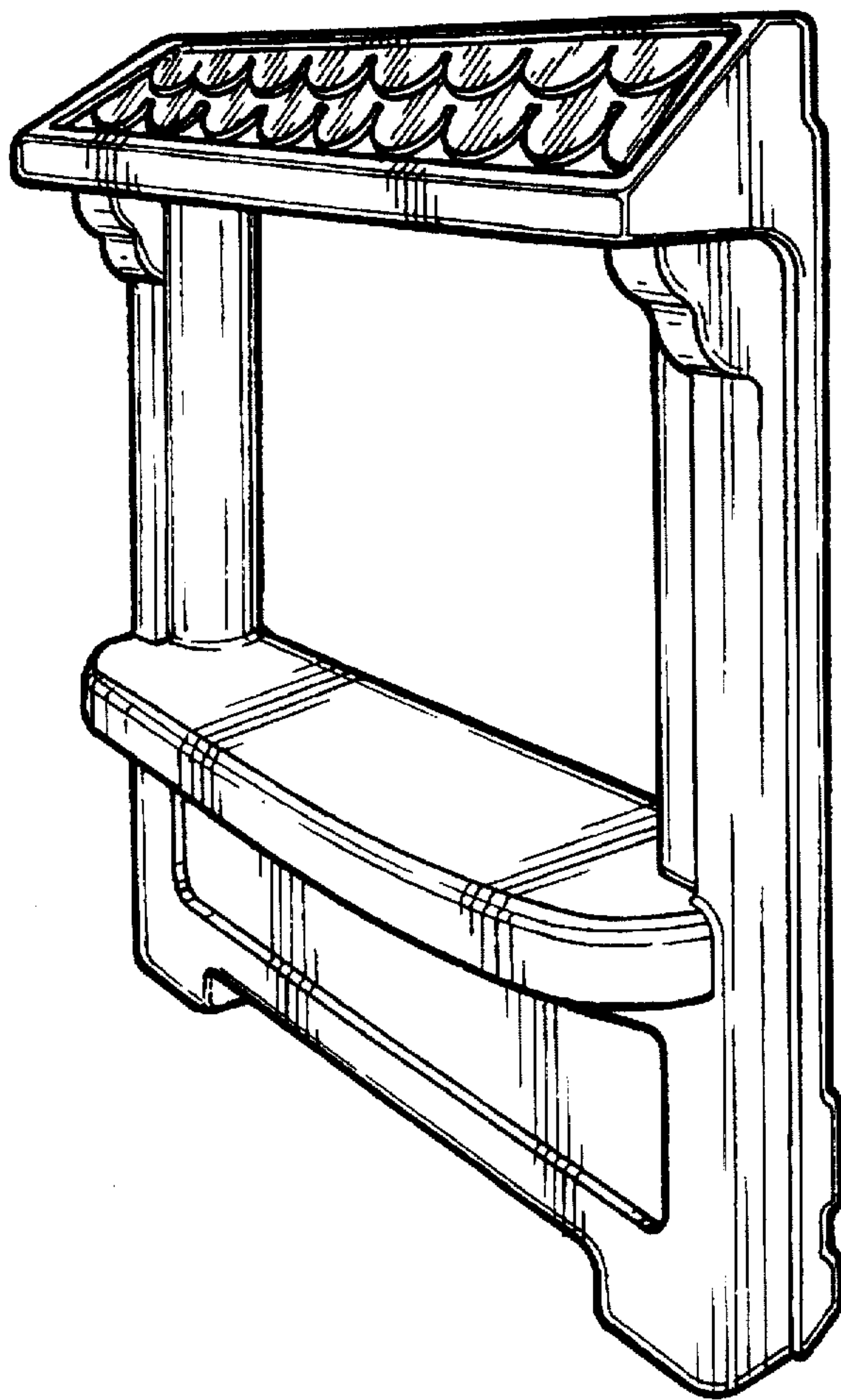


Fig - 1

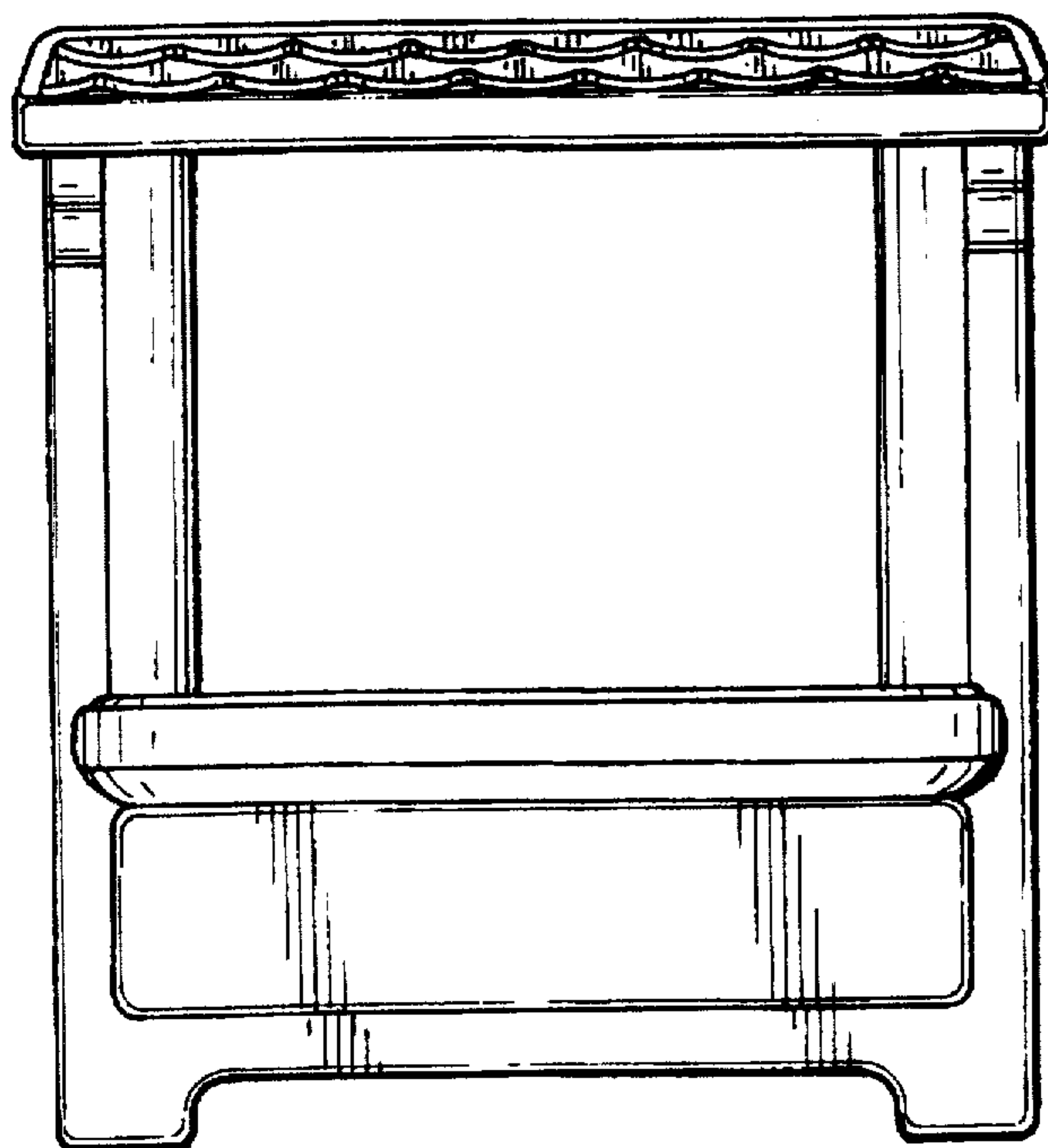


Fig - 2

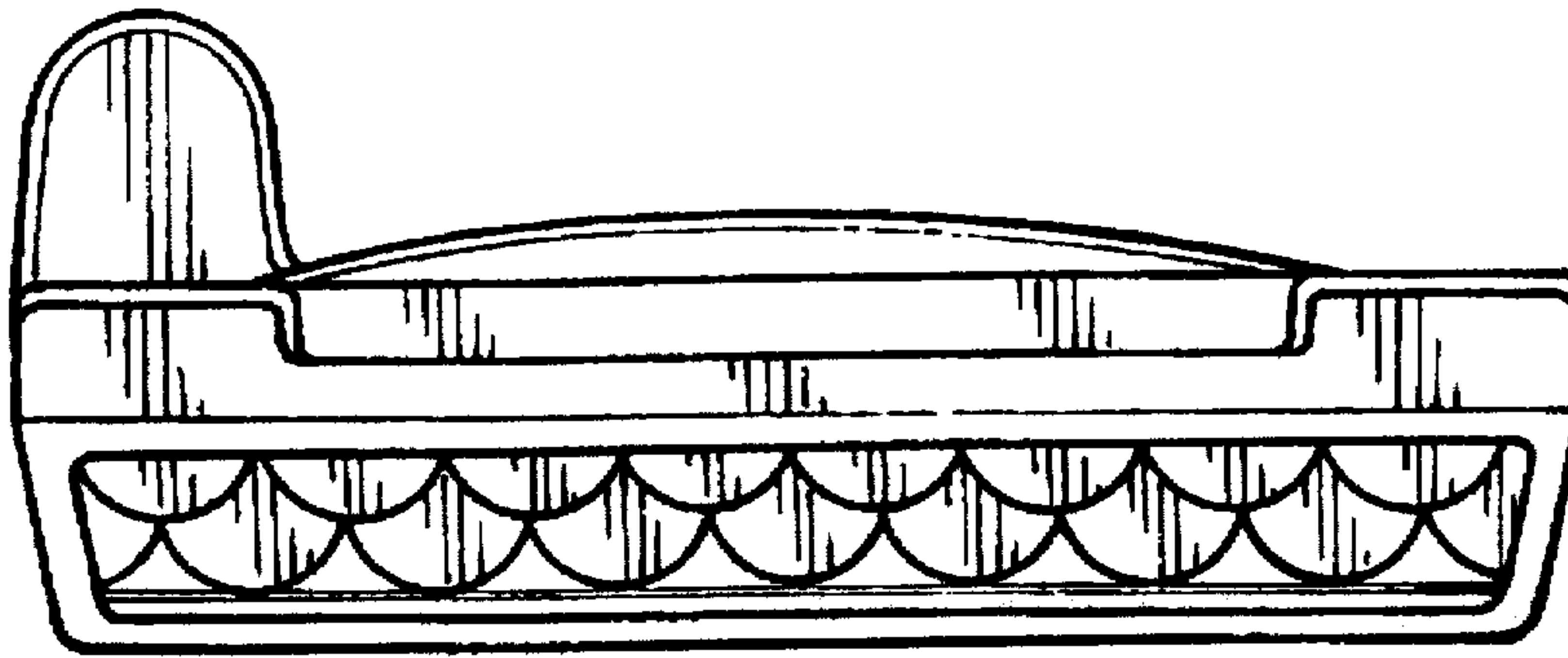


Fig - 3

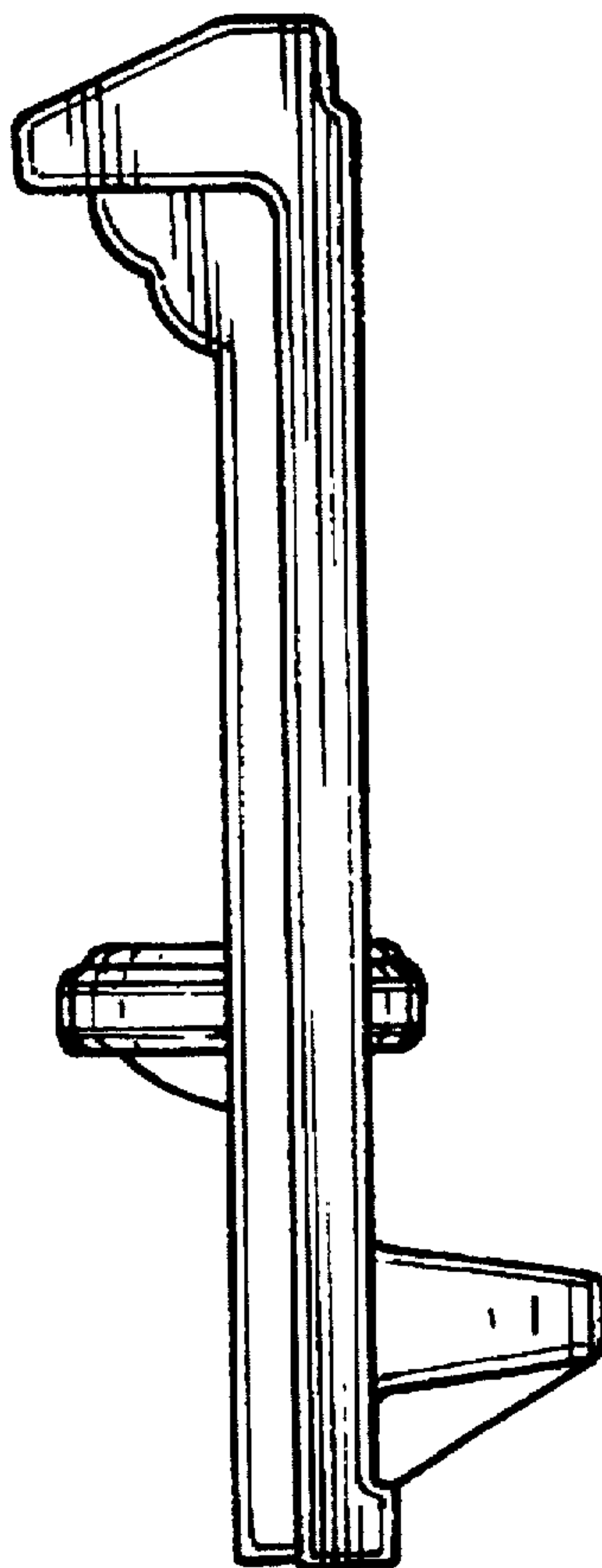


Fig - 4

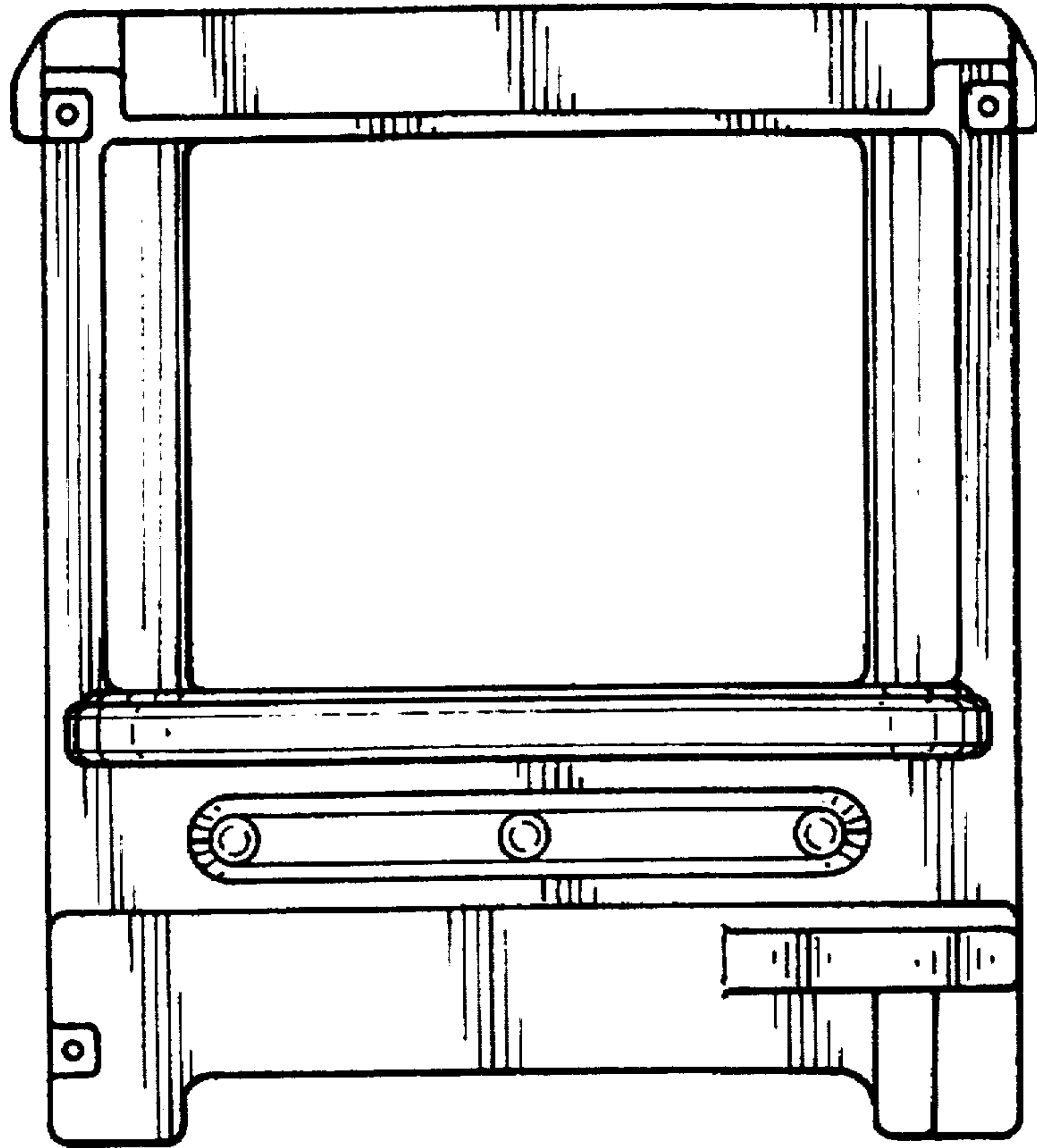


Fig - 5

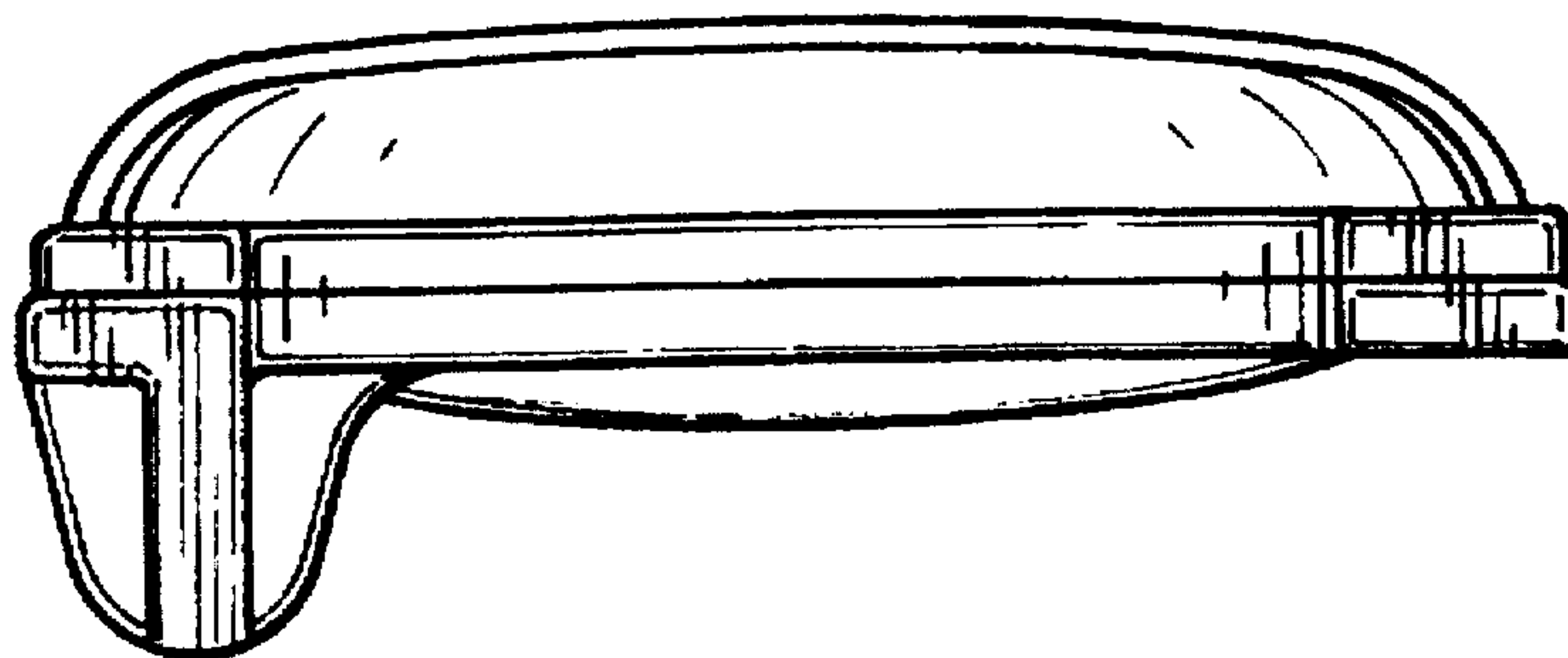


Fig - 6