



US00D391610S

United States Patent [19]
Husted

[11] **Patent Number:** **Des. 391,610**
[45] **Date of Patent:** ****Mar. 3, 1998**

[54] **STRIDING DEVICE**

[76] **Inventor:** **Royce H. Husted, R.R. 4, Box 550, Forest, Va. 24551**

[**] **Term:** **14 Years**

[21] **Appl. No.:** **61,463**

[22] **Filed:** **Oct. 24, 1996**

[51] **LOC (6) Cl.** **21-02**

[52] **U.S. Cl.** **D21/192; D21/191**

[58] **Field of Search** **D21/191, 192, D21/193, 194, 195; 482/51, 57, 148, 52, 72, 53, 71, 54, 70**

[56] **References Cited**

U.S. PATENT DOCUMENTS

D. 372,282	7/1996	Pasero et al.	D21/191
5,336,141	8/1994	Vittone	482/70
5,383,829	1/1995	Miller	482/51

5,423,729	6/1995	Eschenbach	482/70
5,536,224	7/1996	Hsieh	482/70
5,540,637	7/1996	Rodgers, Jr.	482/70
5,549,526	8/1996	Rodgers, Jr.	482/70

Primary Examiner—Philip S. Hyder
Attorney, Agent, or Firm—Nicholas A. Camasto

[57] **CLAIM**

The ornamental design for a striding device, as shown.

DESCRIPTION

FIG. 1 is a top, rear and right side perspective view of a striding device showing my new design;
FIG. 2 is a top plan view thereof;
FIG. 3 is a rear elevational view thereof;
FIG. 4 is a right-side elevational view thereof;
FIG. 5 is a front elevational view thereof;
FIG. 6 is a left-side elevational view thereof; and
FIG. 7 is a bottom plan view thereof.

1 Claim, 3 Drawing Sheets

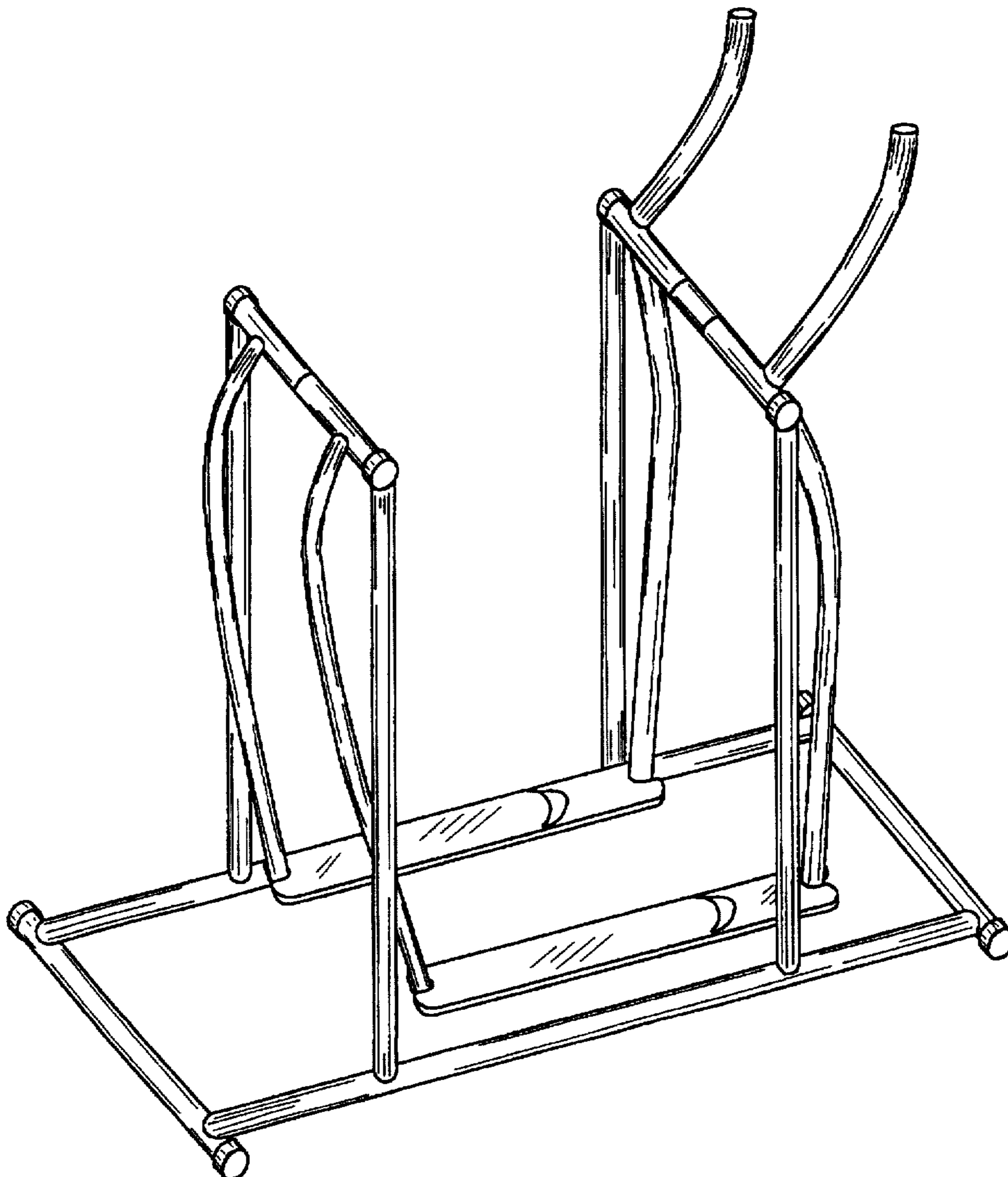


FIG. 1

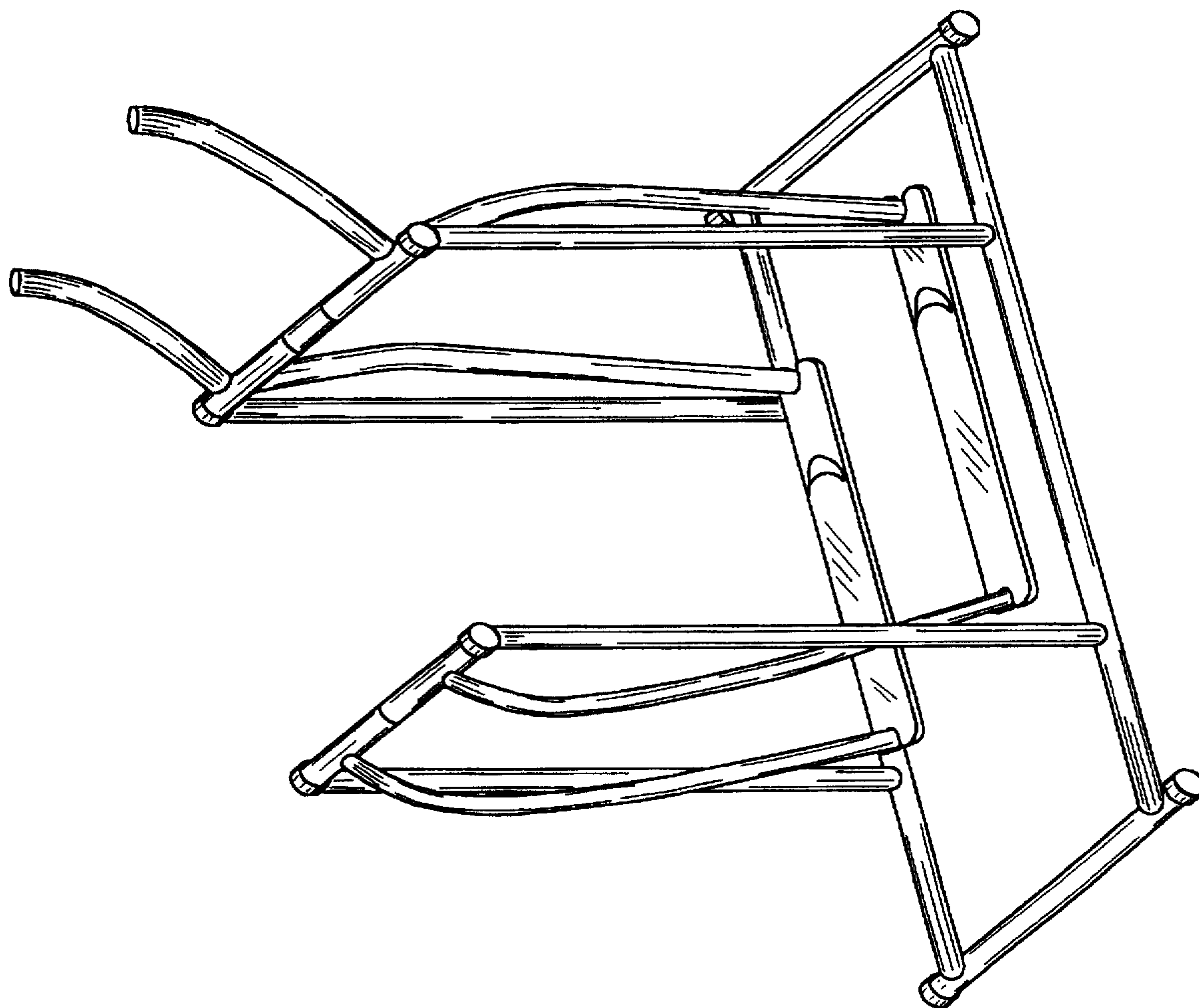


FIG. 2

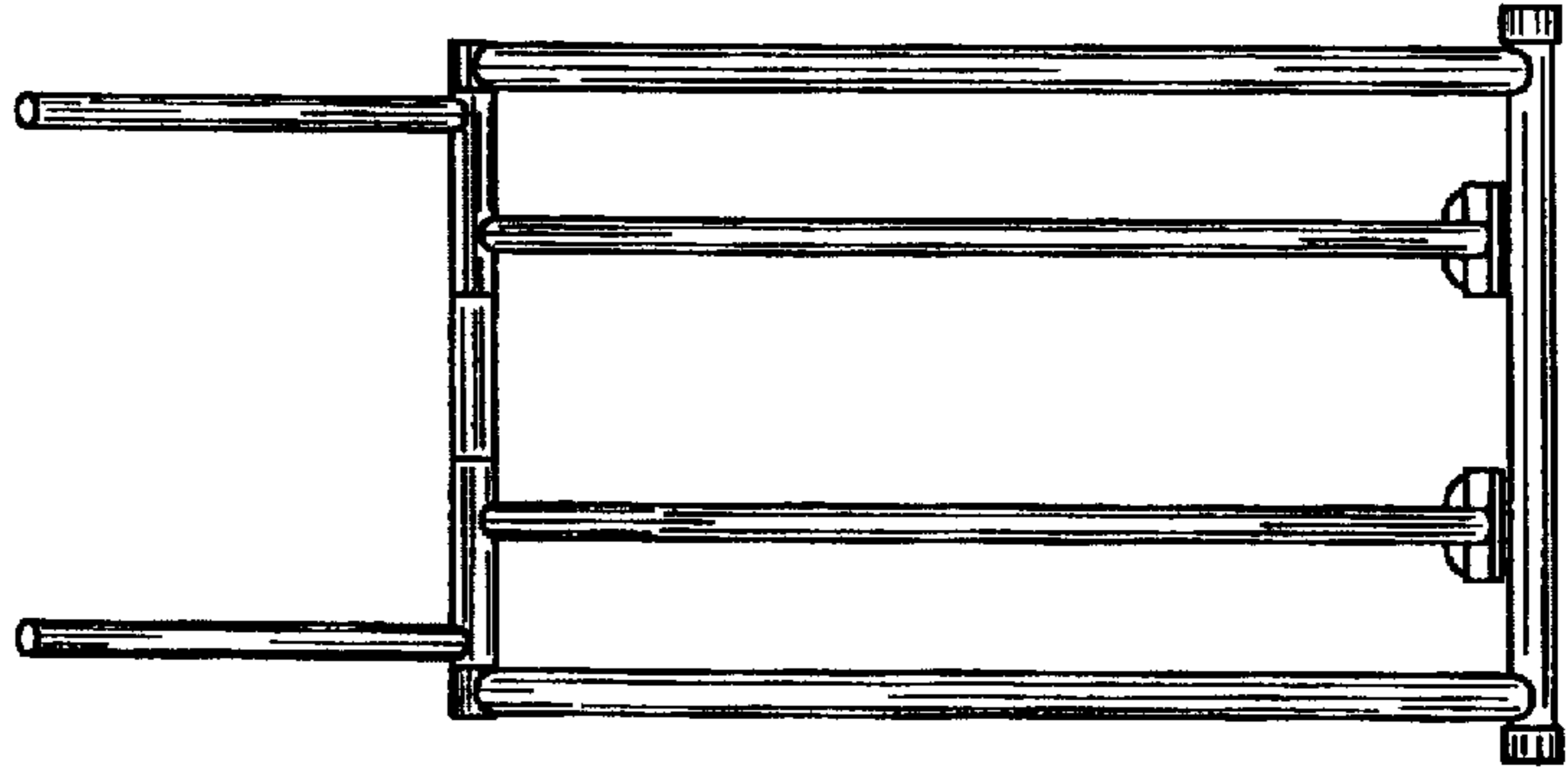
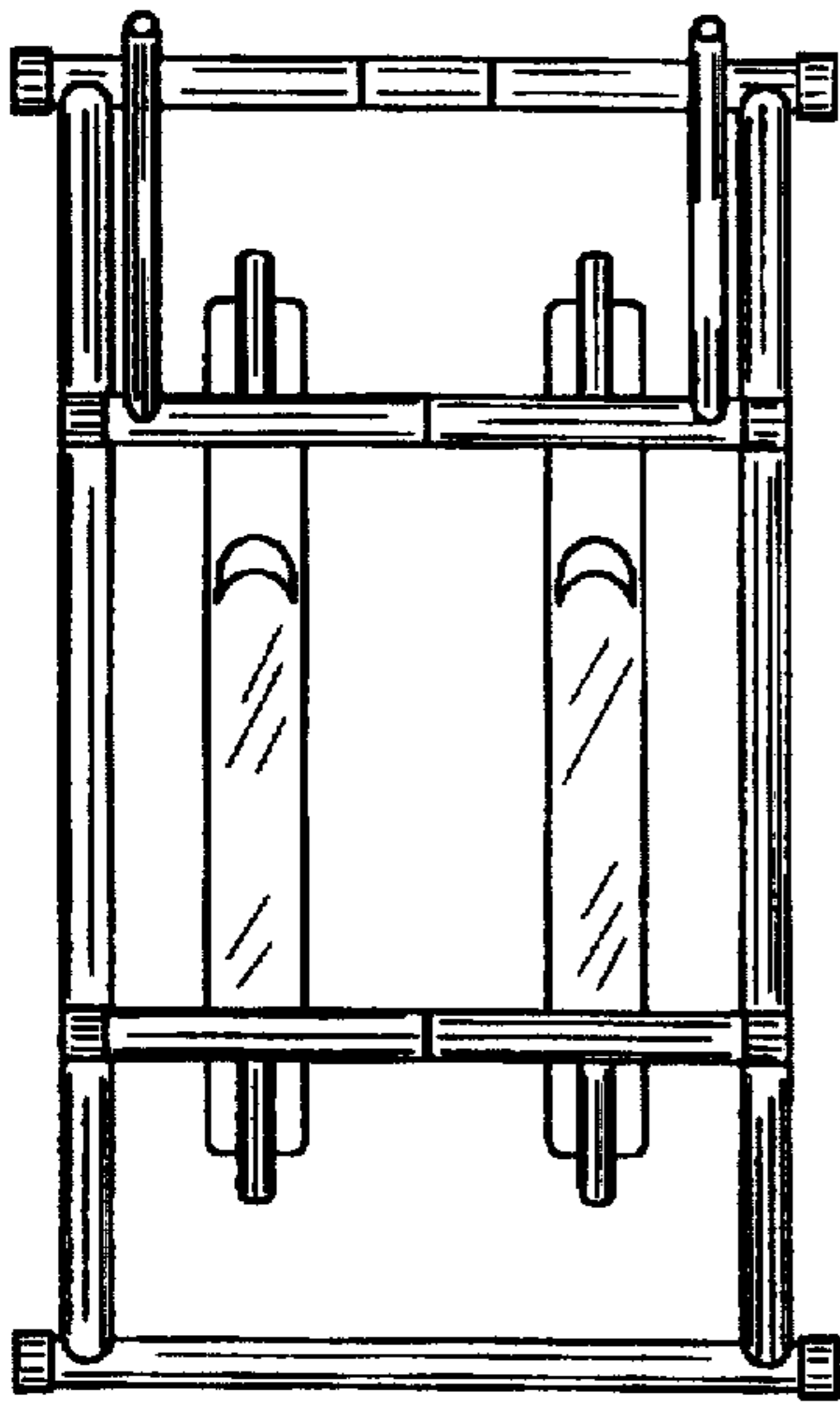


FIG. 5

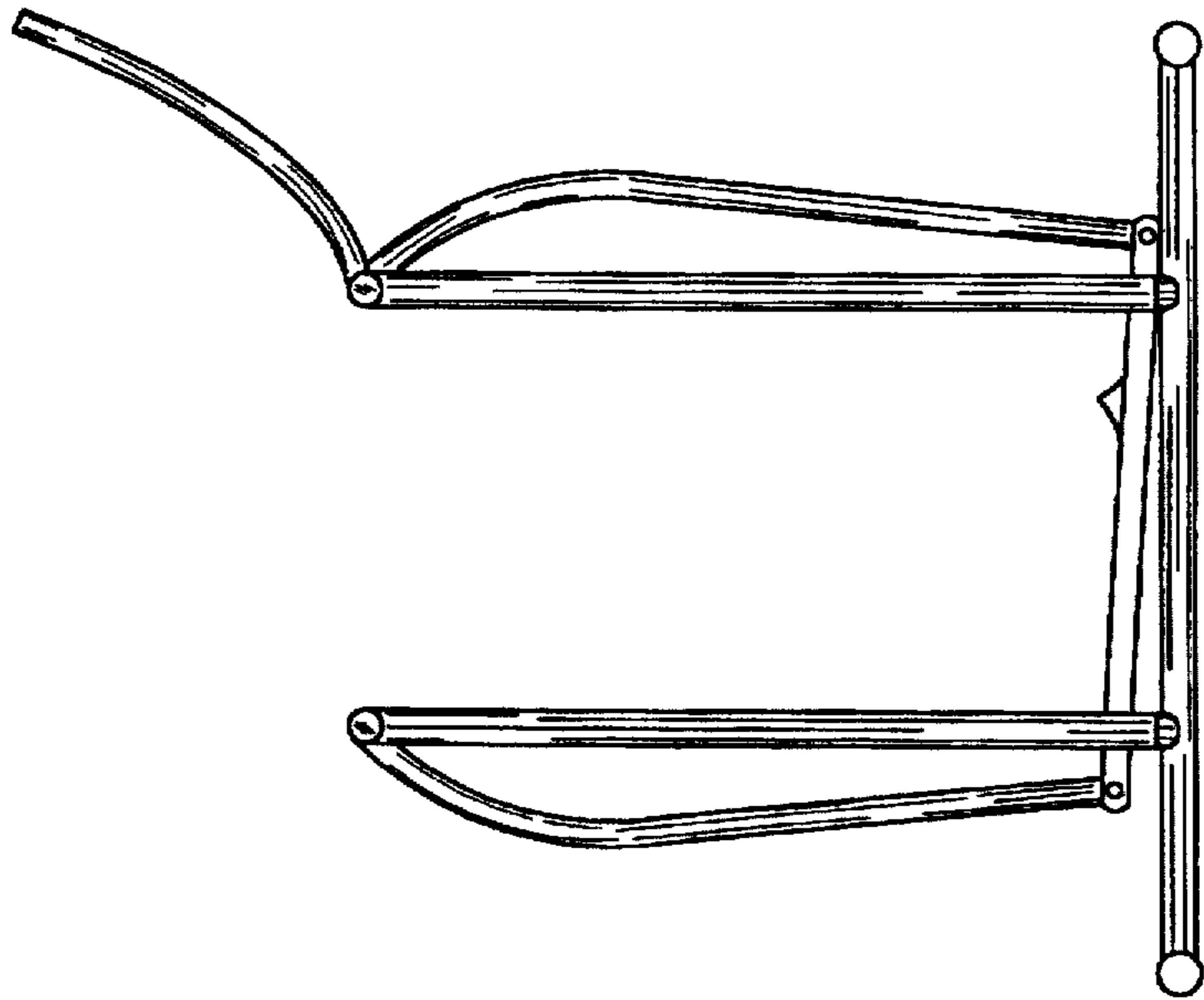


FIG. 4

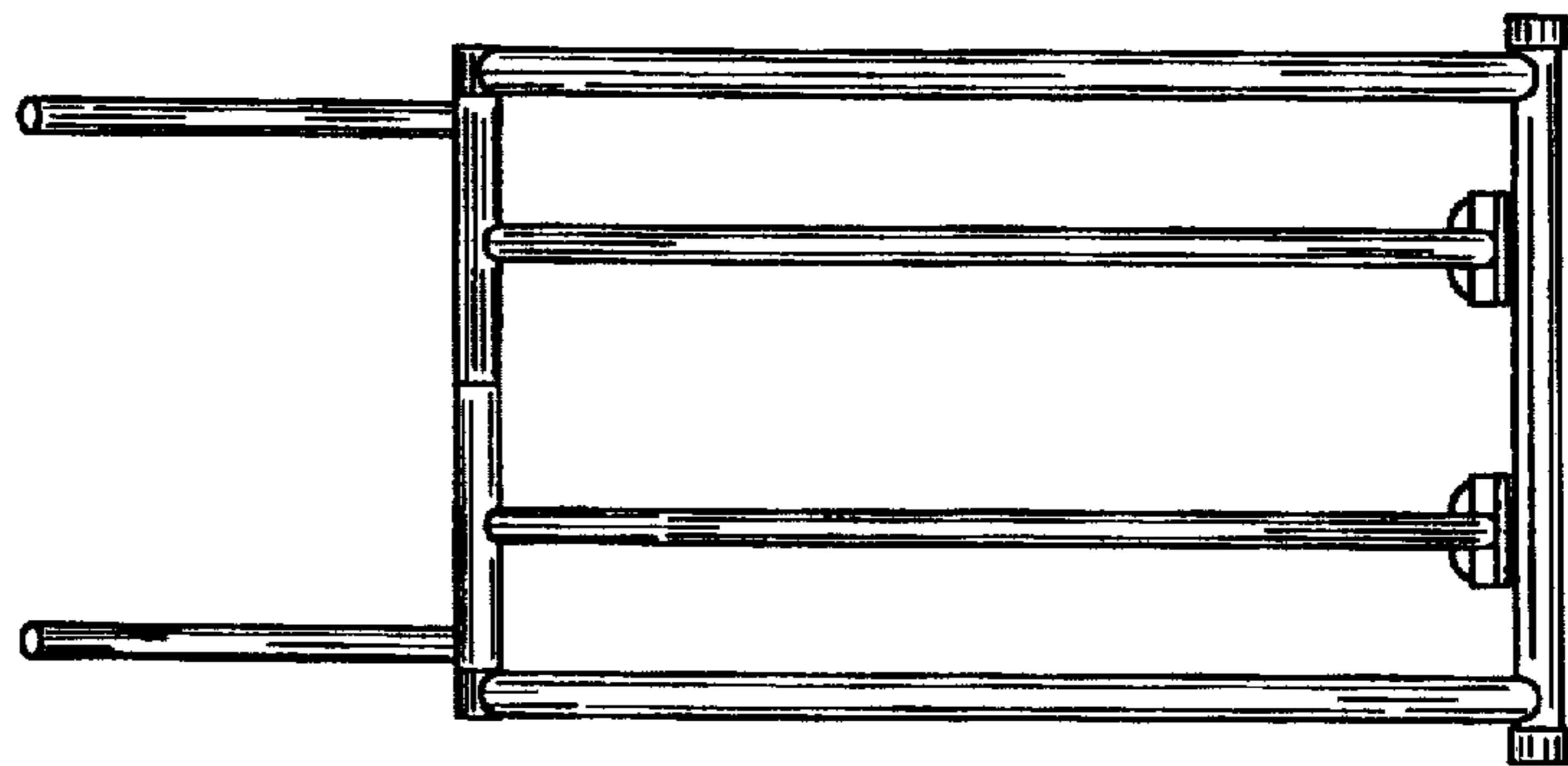


FIG. 3

FIG. 7

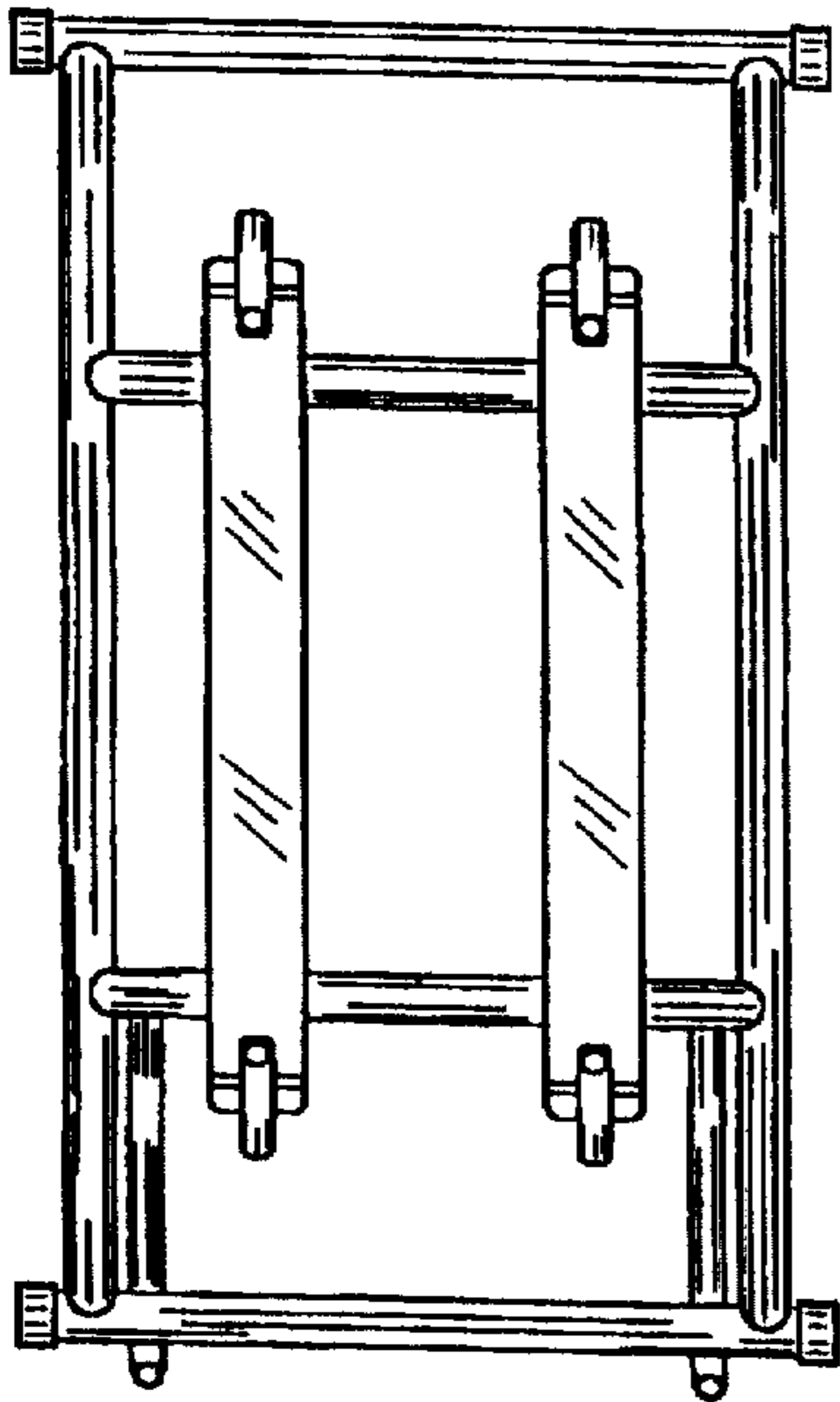


FIG. 6

