



US00D391607S

United States Patent [19]

Russo

[11] Patent Number: **Des. 391,607**

[45] Date of Patent: ****Mar. 3, 1998**

[54] **LOTTERY SCRATCH BOARD**

[76] Inventor: **Joseph J. Russo**, 15038 Florence Dr.,
Maple Hts., Ohio 44137

[**] Term: **14 Years**

[21] Appl. No.: **46,474**

[22] Filed: **Nov. 15, 1995**

[51] LOC (6) Cl. **19-02**

[52] U.S. Cl. **D19/78; D19/88; D19/91;**
D6/406; D6/420

[58] Field of Search **D19/35, 36, 52,**
D19/65, 75, 77, 78, 81-85, 88, 90, 91,
99, 100; D6/406, 419, 420; 248/441.1,
447.1, 454; 206/214, 371

[56] **References Cited**

U.S. PATENT DOCUMENTS

- D. 218,980 10/1970 Balkus D6/406
- D. 281,842 12/1985 Blocklinger D6/419

- D. 293,254 12/1987 Appel et al. D19/77 X
- D. 305,838 2/1990 Bienenstock D6/420
- D. 329,547 9/1992 Hageman D6/406
- D. 352,589 11/1994 Kennedy D19/88 X
- D. 371,163 6/1996 Berger et al. D19/88 X
- 4,123,852 11/1978 Zimowski D6/420 X

Primary Examiner—Martie Thompson

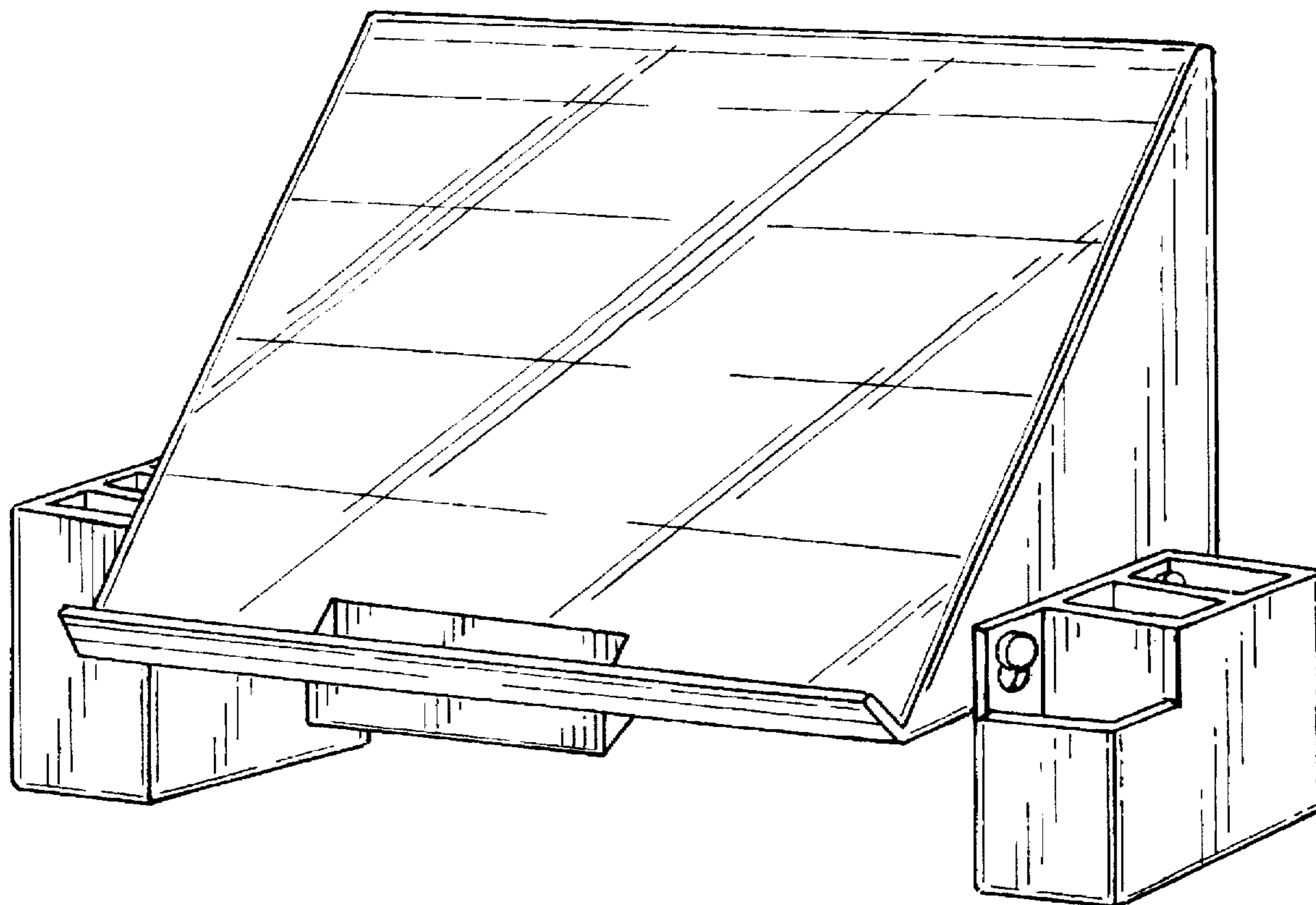
[57] **CLAIM**

The ornamental design for a lottery scratch board, as shown.

DESCRIPTION

FIG. 1 is perspective view of the lottery scratch board;
 FIG. 2 is a front view of the lottery scratch board thereof;
 FIG. 3 is a top plan view of the lottery scratch board thereof;
 FIG. 4 is a bottom view of the lottery scratch board thereof;
 FIG. 5 is a rear view of the lottery scratch board thereof;
 FIG. 6 is a right side view of the lottery scratch board thereof; and,
 FIG. 7 is a left side view of the lottery scratch board thereof.

1 Claim, 3 Drawing Sheets



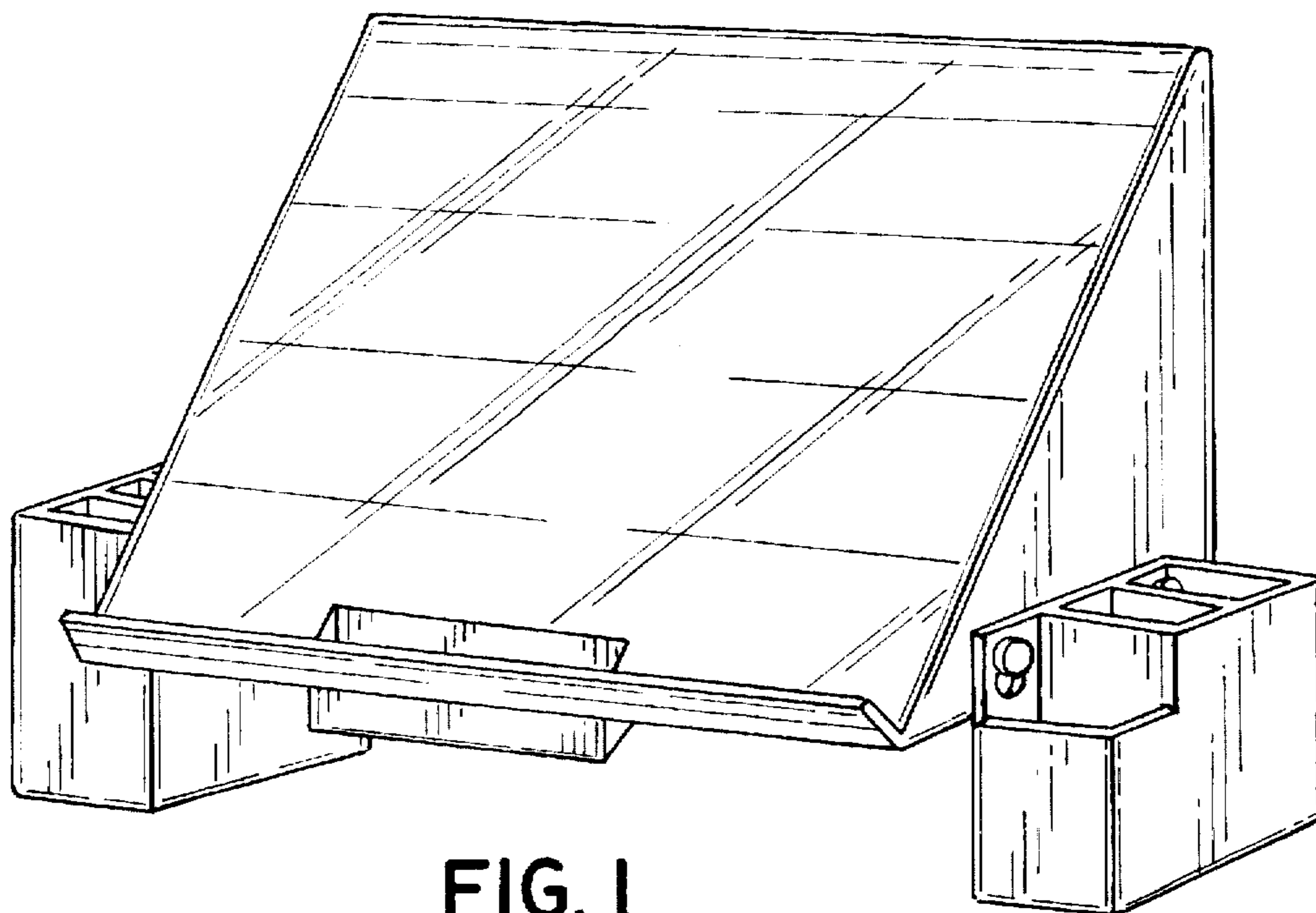


FIG. 1

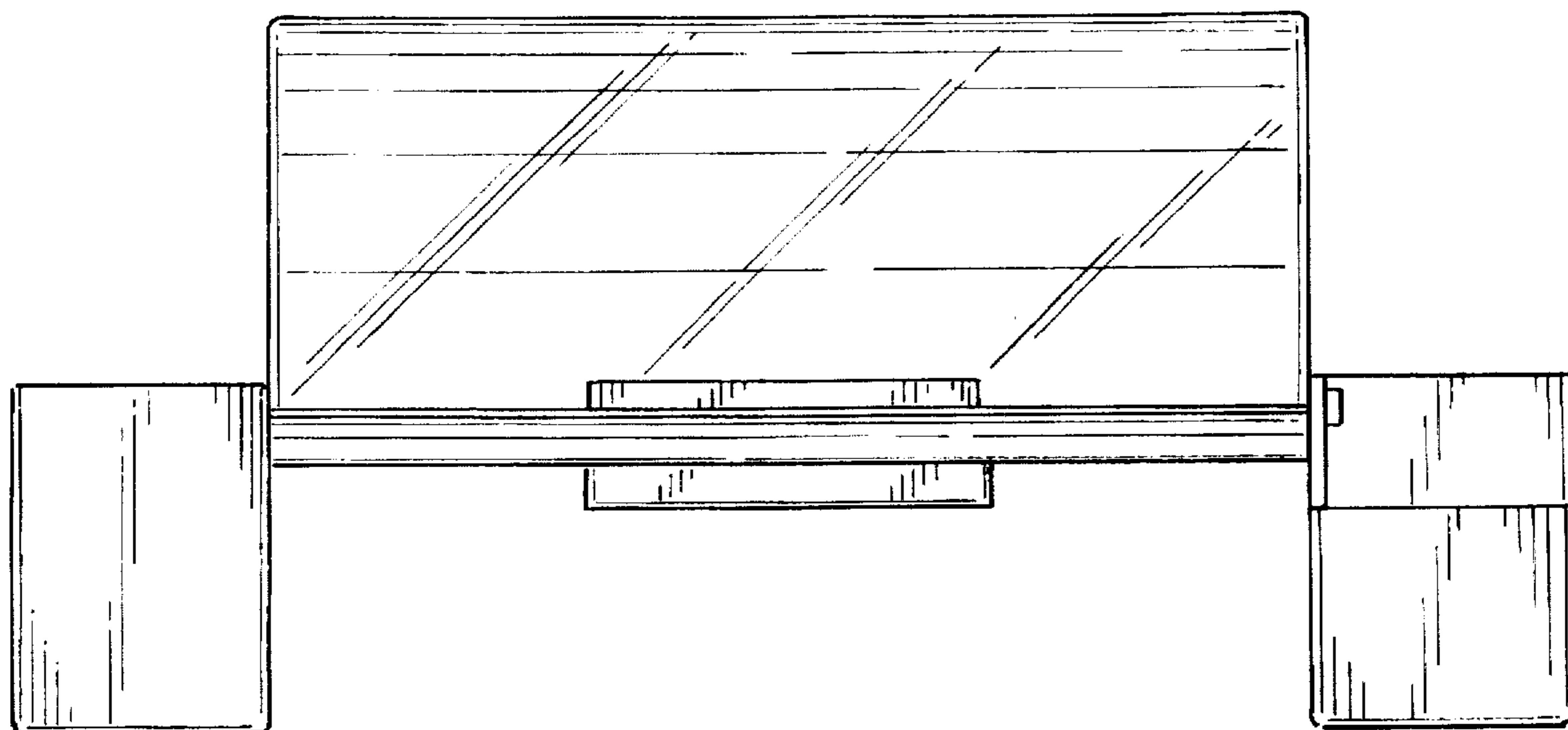


FIG. 2

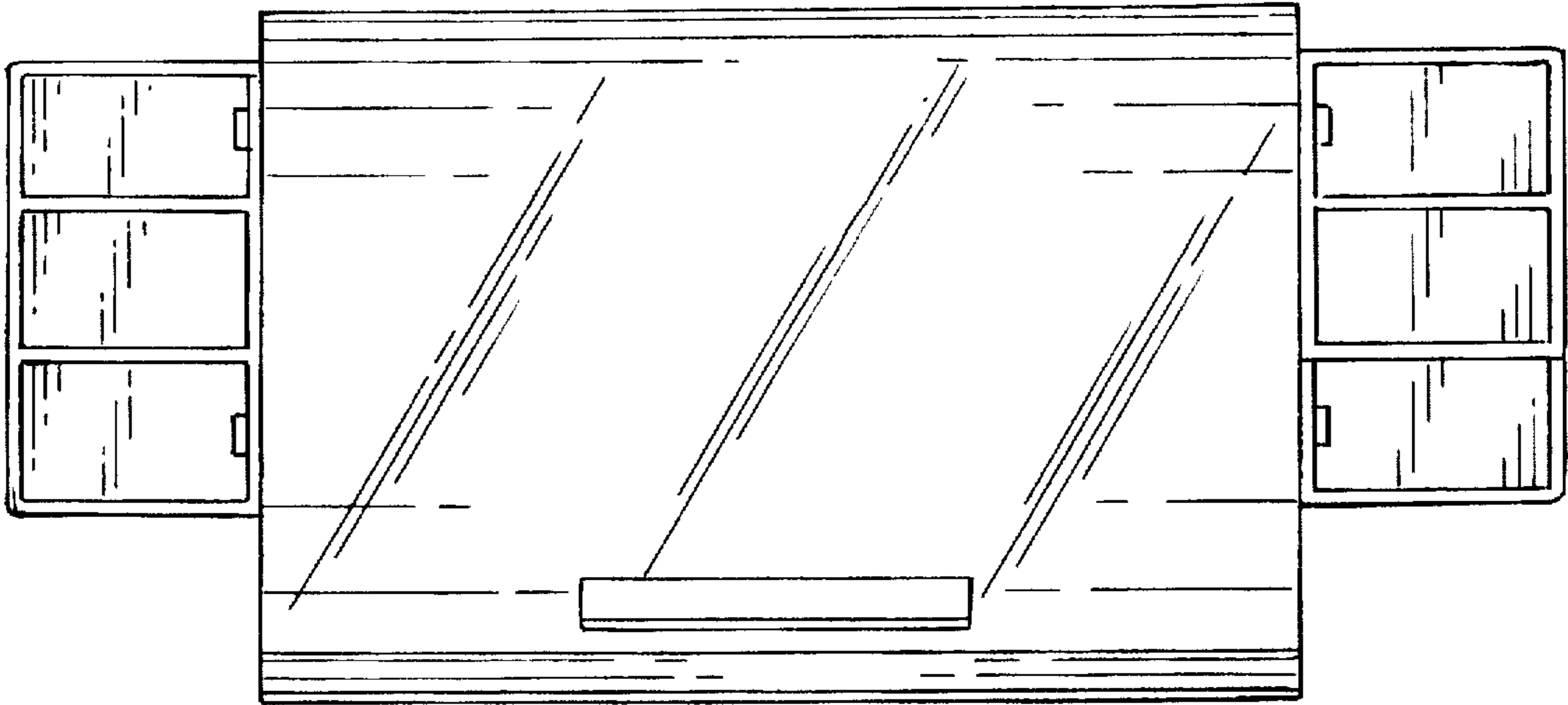


FIG. 3

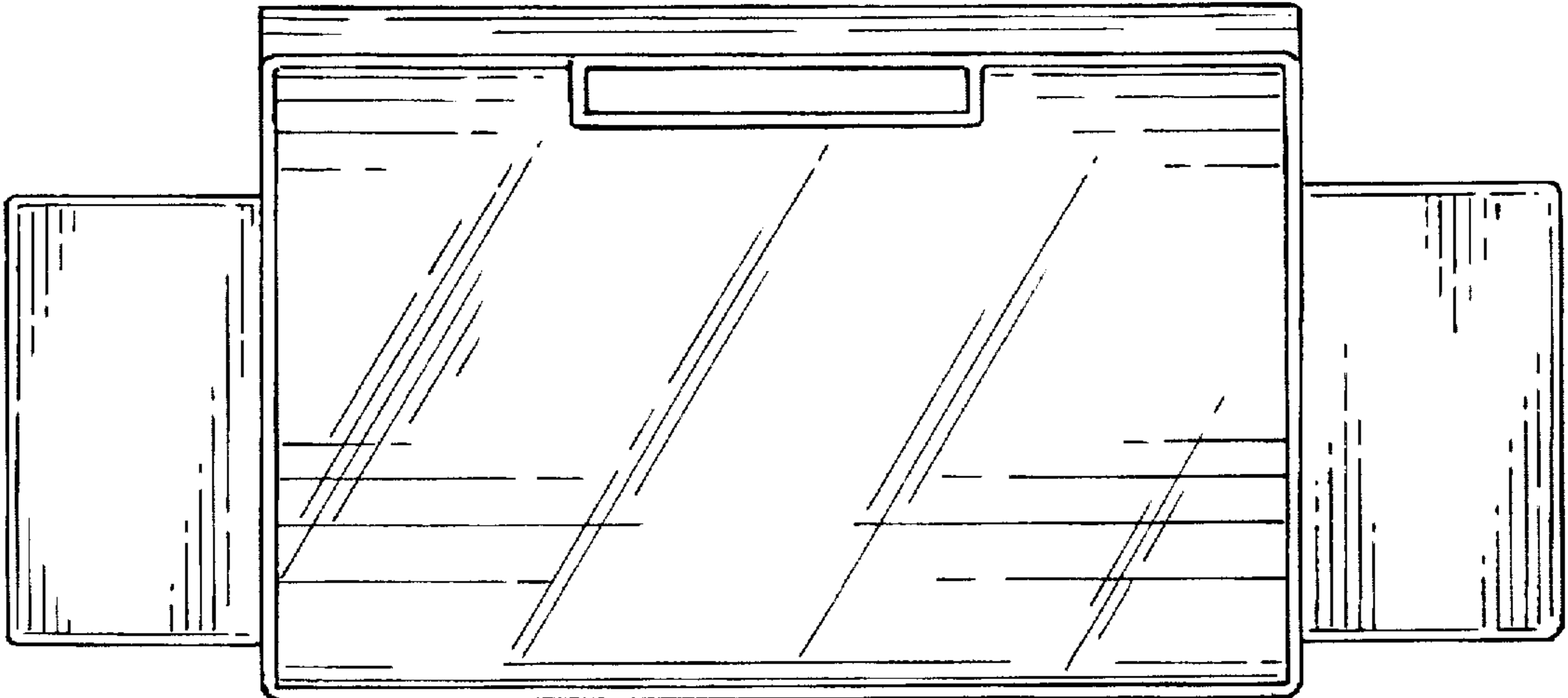


FIG. 4

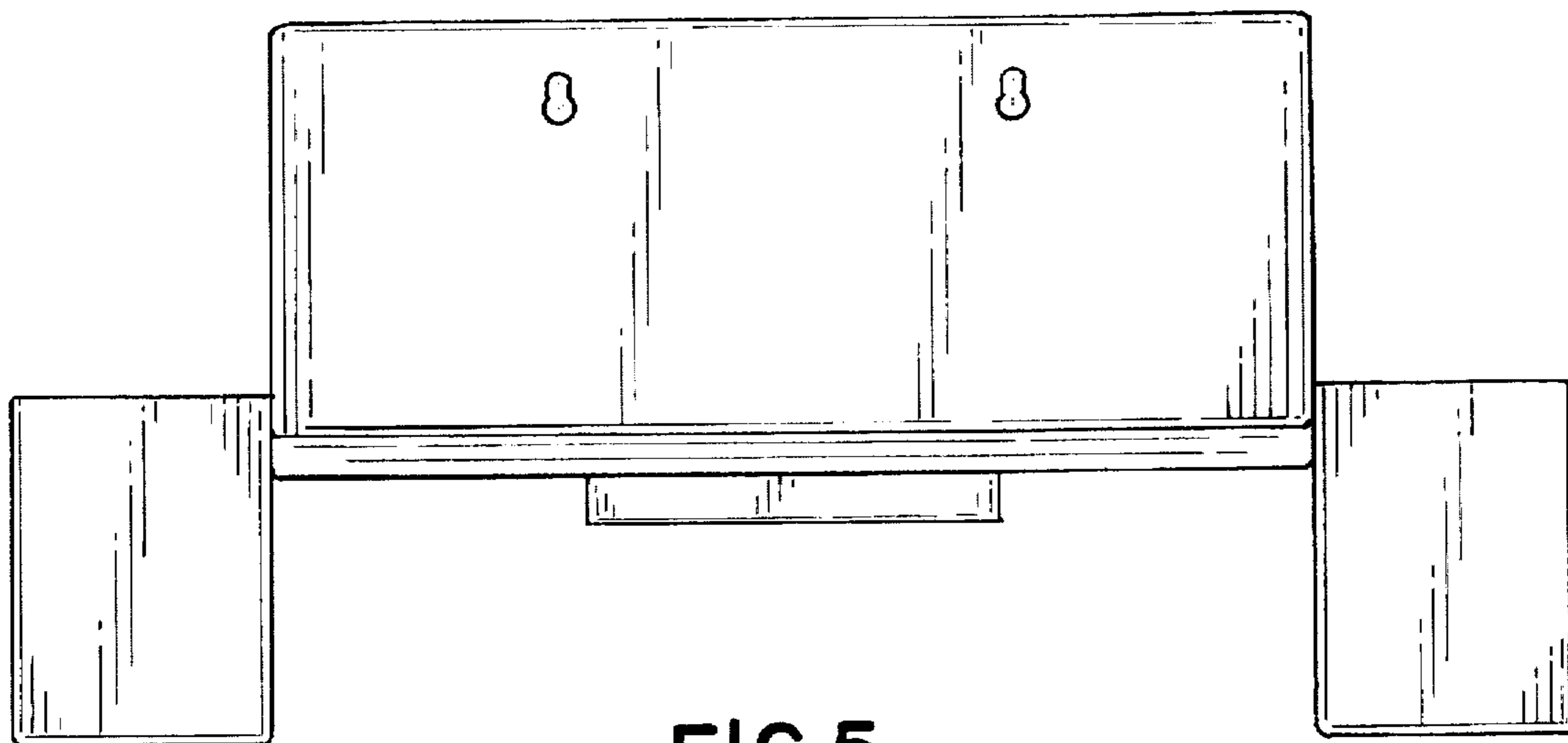


FIG. 5

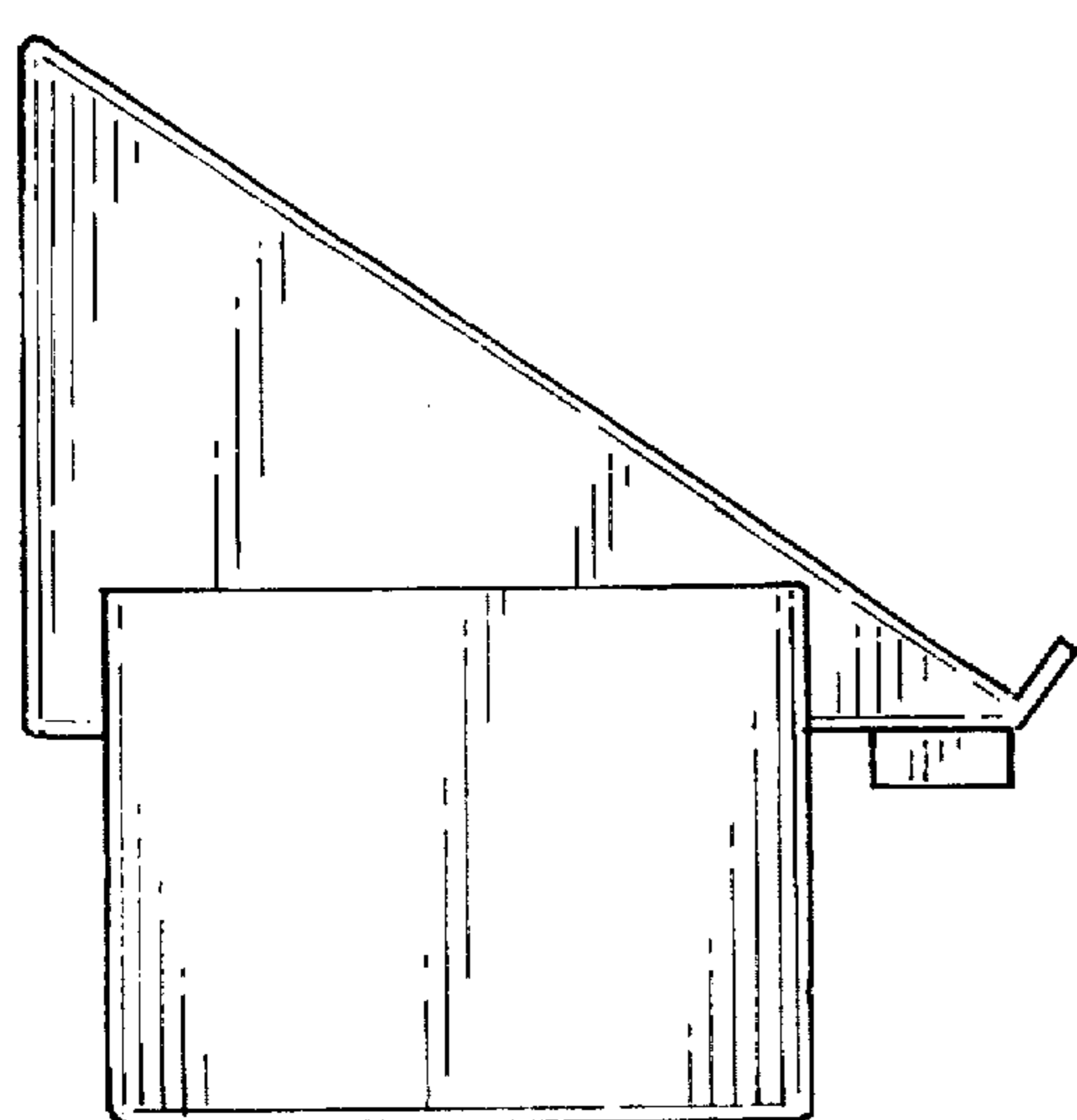


FIG. 7

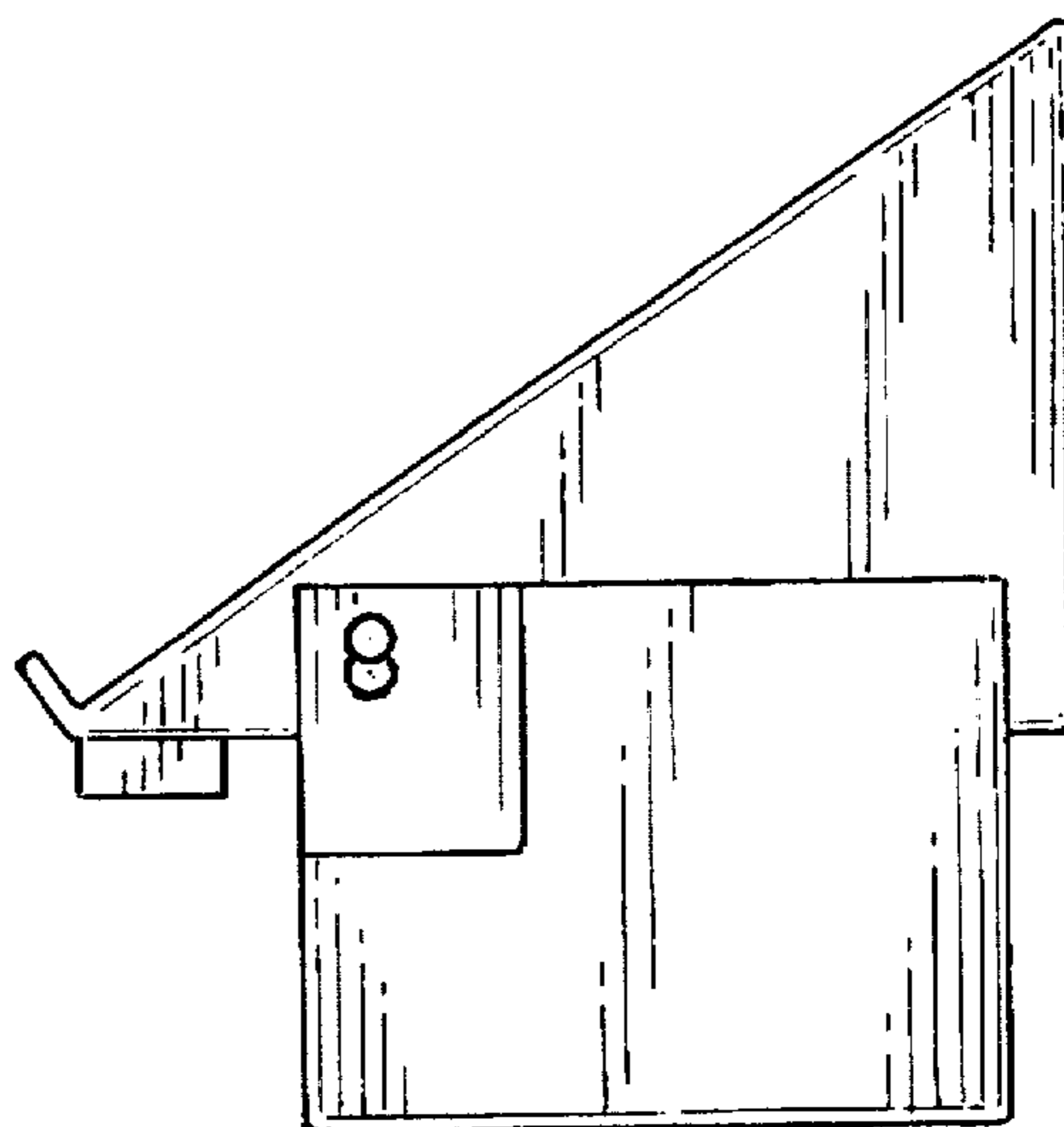


FIG. 6