



US00D391604S

# United States Patent [19]

Akahane et al.

[11] Patent Number: **Des. 391,604**

[45] Date of Patent: **\*\*Mar. 3, 1998**

## [54] PRINT HEAD OF INK JET PRINTER

[75] Inventors: **Fujio Akahane; Kohji Watanabe**, both of Suwa, Japan

[73] Assignee: **Seiko Epson Corporation**, Tokyo, Japan

[\*\*] Term: **14 Years**

[21] Appl. No.: **58,492**

[22] Filed: **Aug. 16, 1996**

### Related U.S. Application Data

[62] Division of Ser. No. 43,029, Aug. 23, 1995, Pat. No. Des. 379,637.

### [30] Foreign Application Priority Data

Feb. 23, 1995	[JP]	Japan	7-4719
Feb. 23, 1995	[JP]	Japan	7-4720
Apr. 28, 1995	[JP]	Japan	7-12168

[51] LOC (6) Cl. .... **18-02**

[52] U.S. Cl. .... **D18/56; 347/86**

[58] Field of Search ..... **D18/56, 40; 347/86-88**

### [56] References Cited

#### U.S. PATENT DOCUMENTS

4,044,677	8/1977	Hamisch, Jr.	101/348
4,273,046	6/1981	Sati	101/348
4,599,625	7/1986	Terasawa et al.	347/87
4,755,836	7/1988	Ta et al.	347/87
5,406,885	4/1995	Privin	101/348

### FOREIGN PATENT DOCUMENTS

1141749	6/1989	Japan	347/86
5162323	6/1993	Japan	347/86
5162331	6/1993	Japan	347/86
5318762	12/1993	Japan	347/86
6015835	1/1994	Japan	347/86
6143605	5/1994	Japan	347/86
183028	7/1994	Japan	347/86

Primary Examiner—Cathy Anne MacCormac  
Attorney, Agent, or Firm—Stroock & Stroock & Lavan LLP

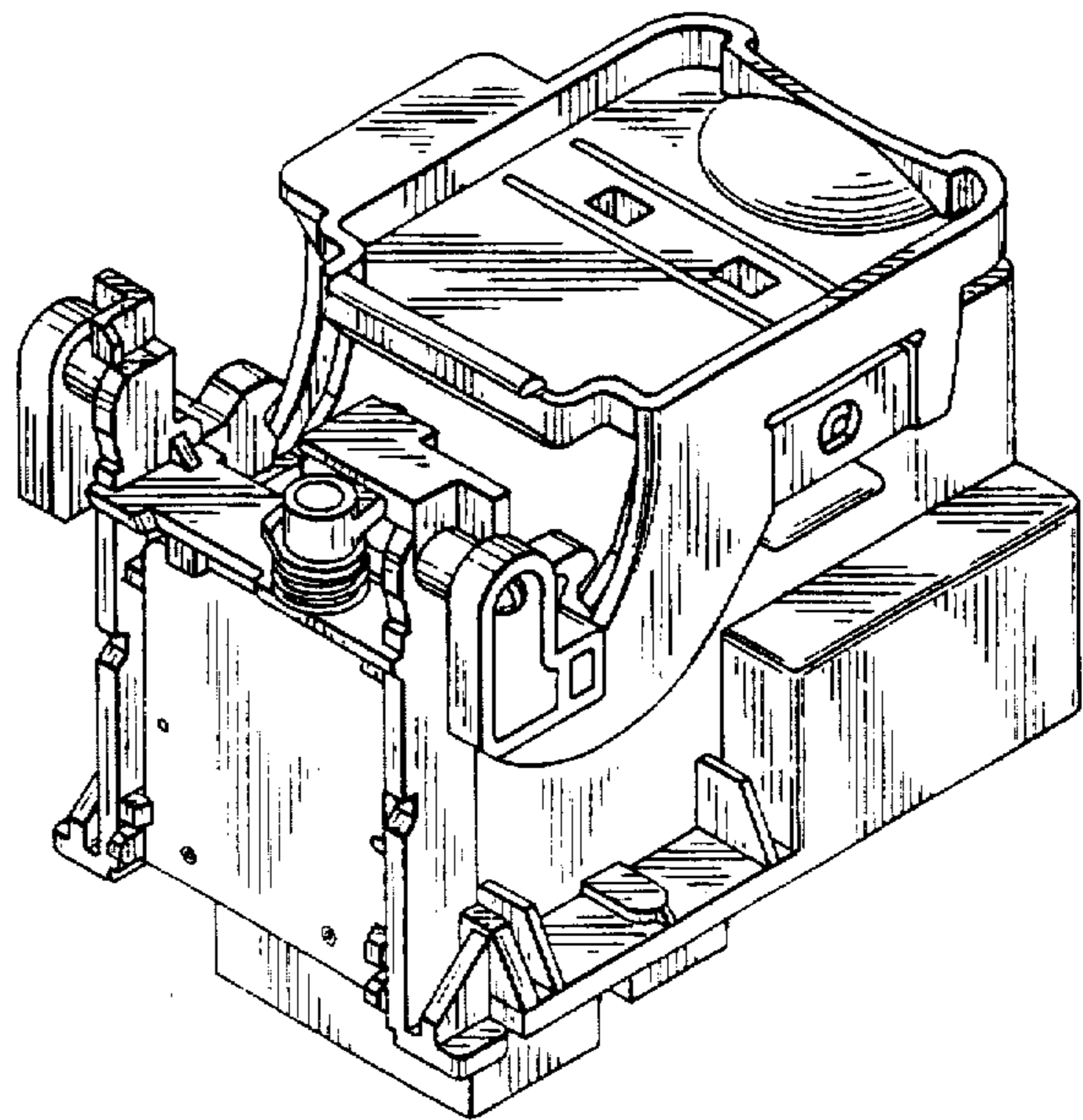
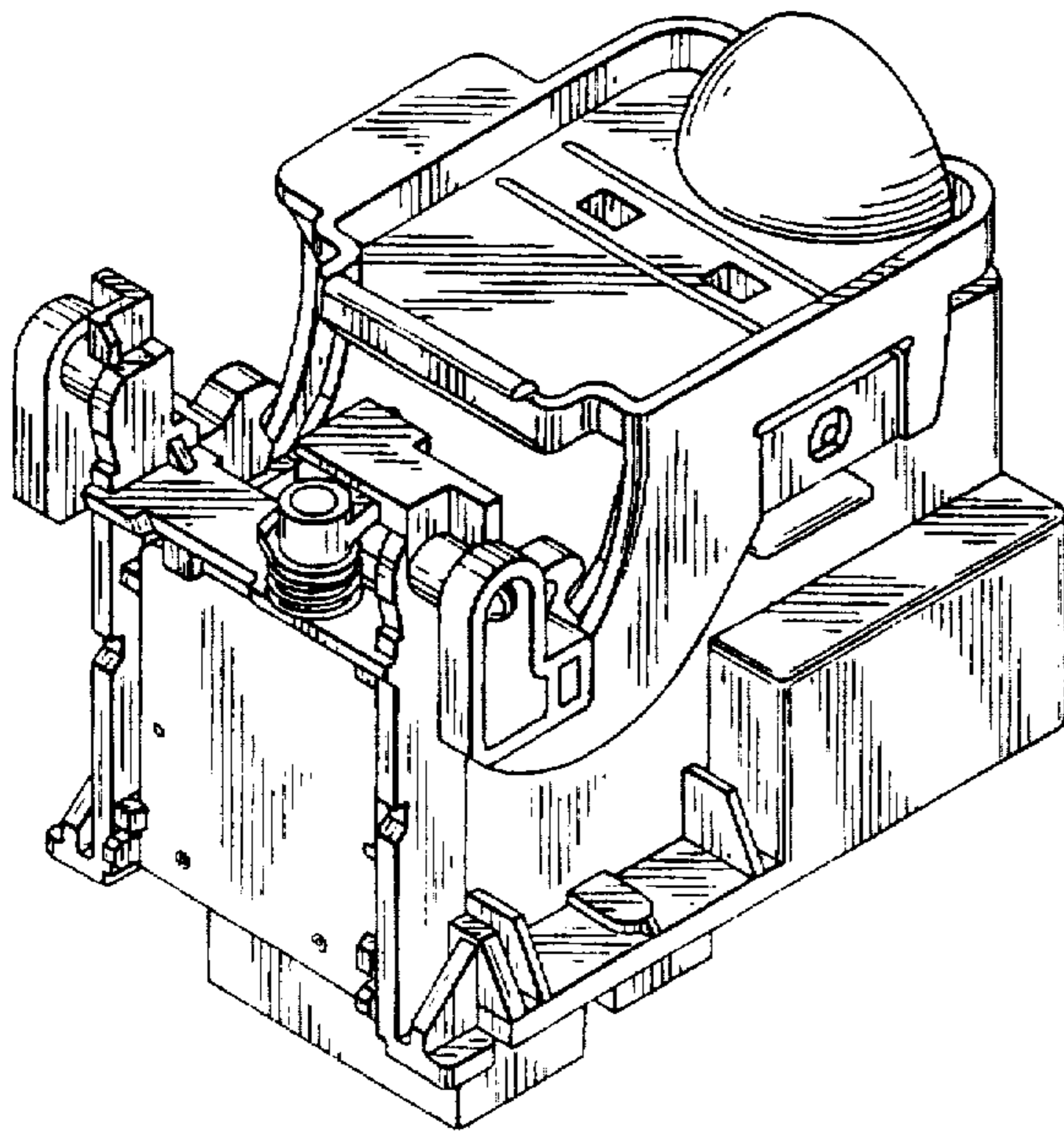
### [57] CLAIM

The ornamental design for a print head of ink jet printer, as shown and described.

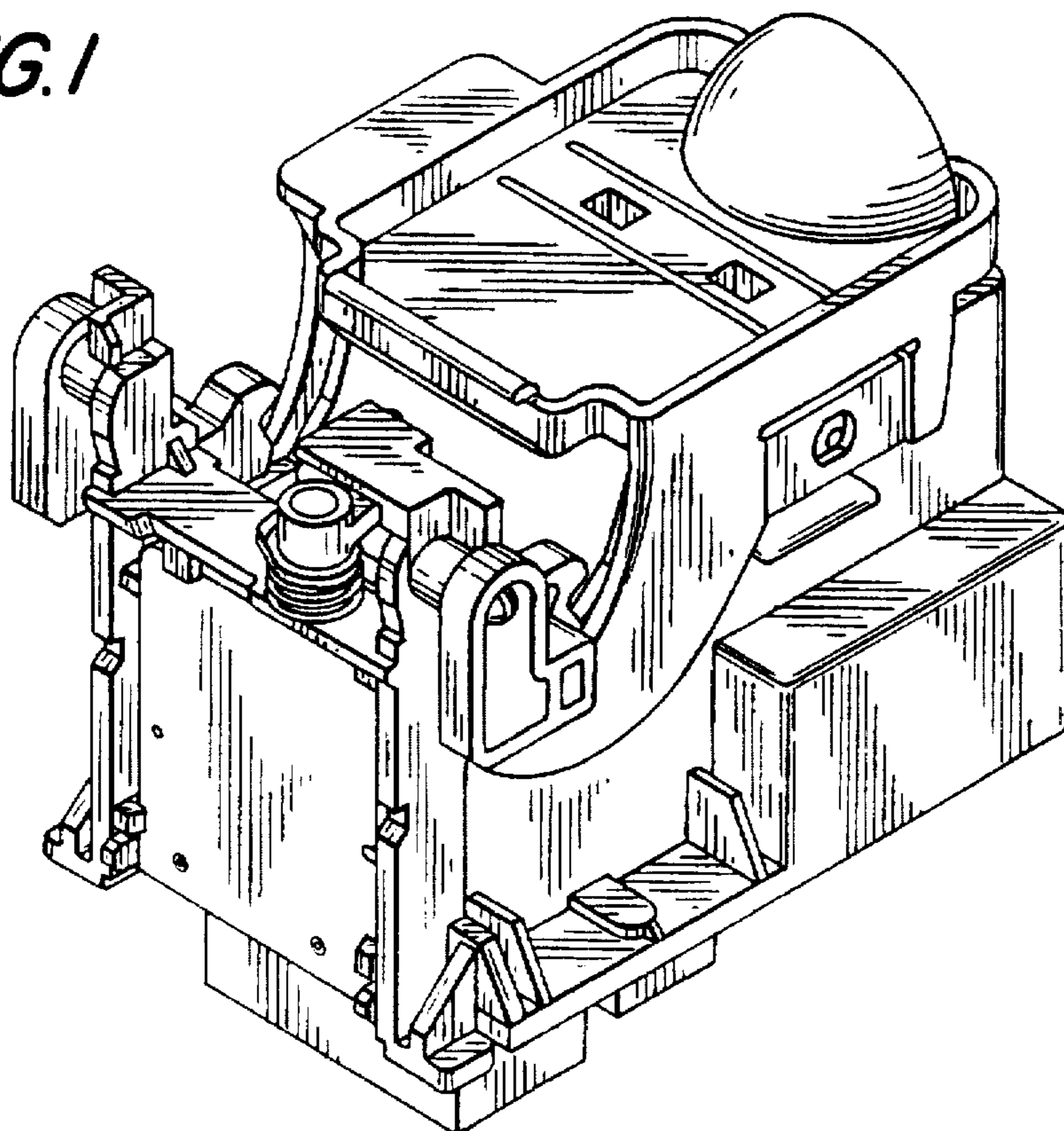
### DESCRIPTION

FIG. 1 is a top, front and right side perspective view of a print head of ink jet printer showing our new design;  
 FIG. 2 is a front view thereof;  
 FIG. 3 is a top plan view thereof;  
 FIG. 4 is a right side view thereof;  
 FIG. 5 is a left side view thereof;  
 FIG. 6 is a rear view thereof;  
 FIG. 7 is a bottom view thereof;  
 FIG. 8 is a top, front and right side perspective view of a second embodiment of FIG. 1;  
 FIG. 9 is a front view of FIG. 8;  
 FIG. 10 is a top plan view of FIG. 8;  
 FIG. 11 is a right side view of FIG. 8;  
 FIG. 12 is a left side view of FIG. 8;  
 FIG. 13 is a rear view of FIG. 8; and  
 FIG. 14 is a bottom view of FIG. 8.

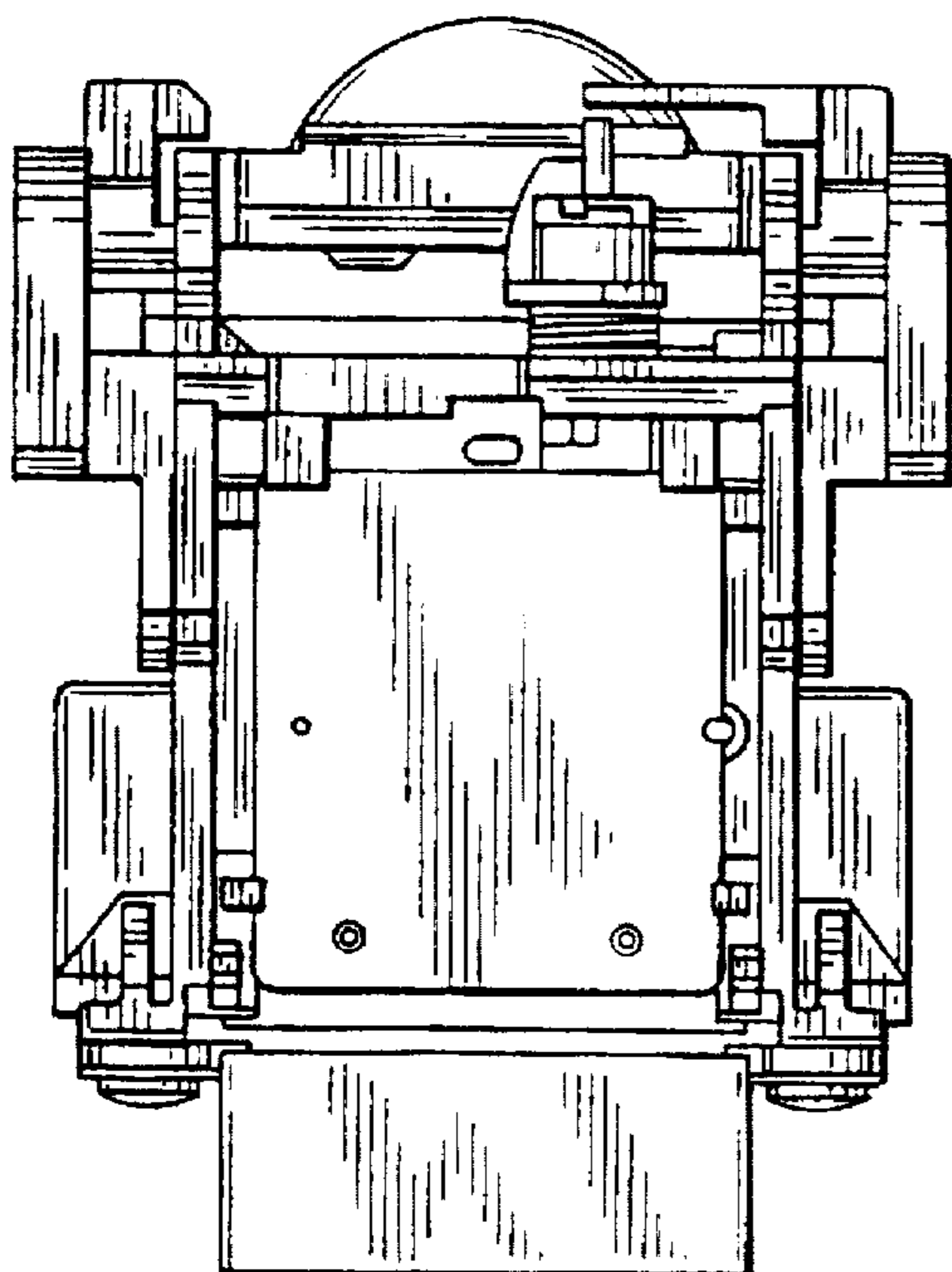
1 Claim, 6 Drawing Sheets



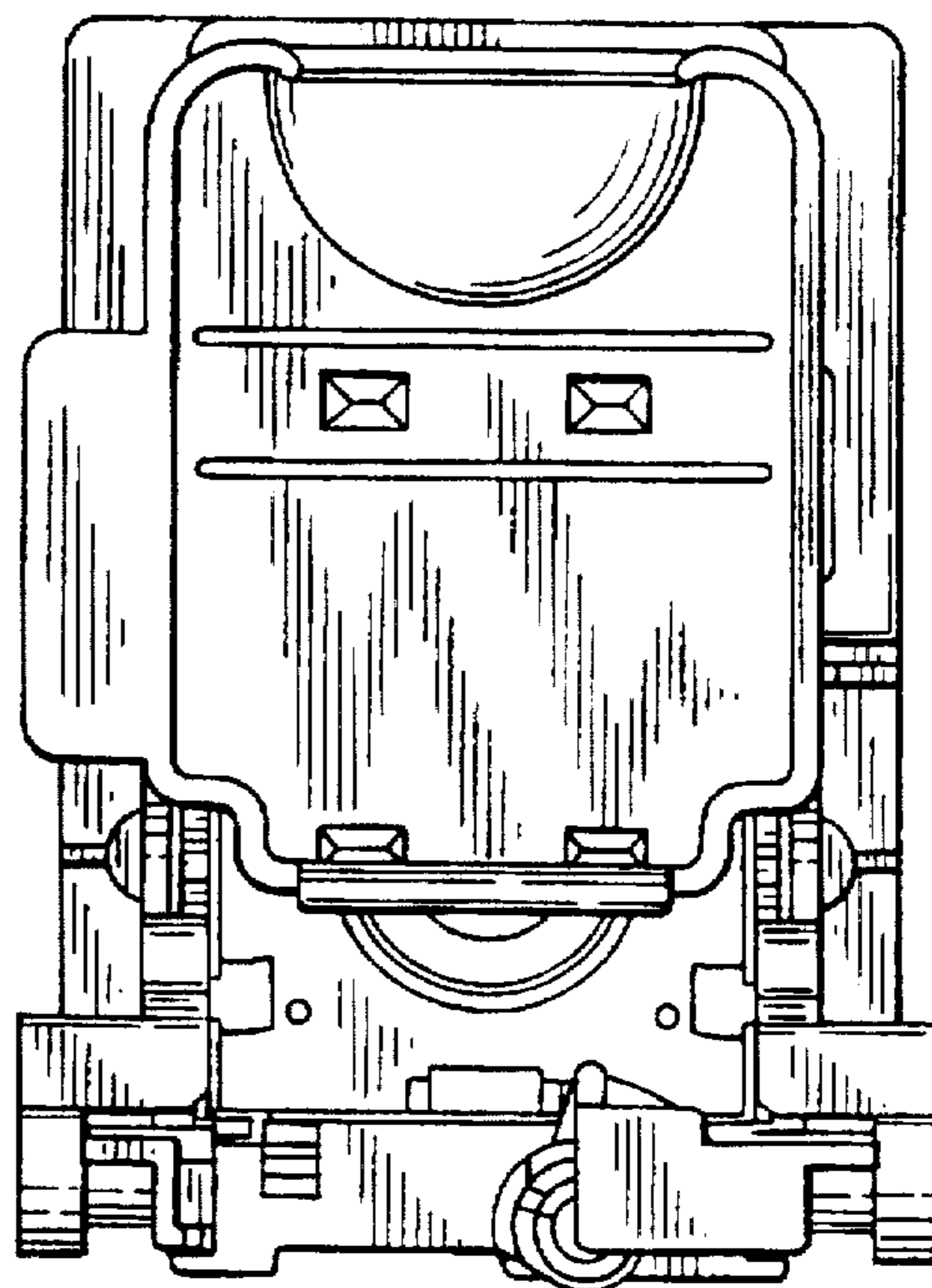
**FIG. 1**



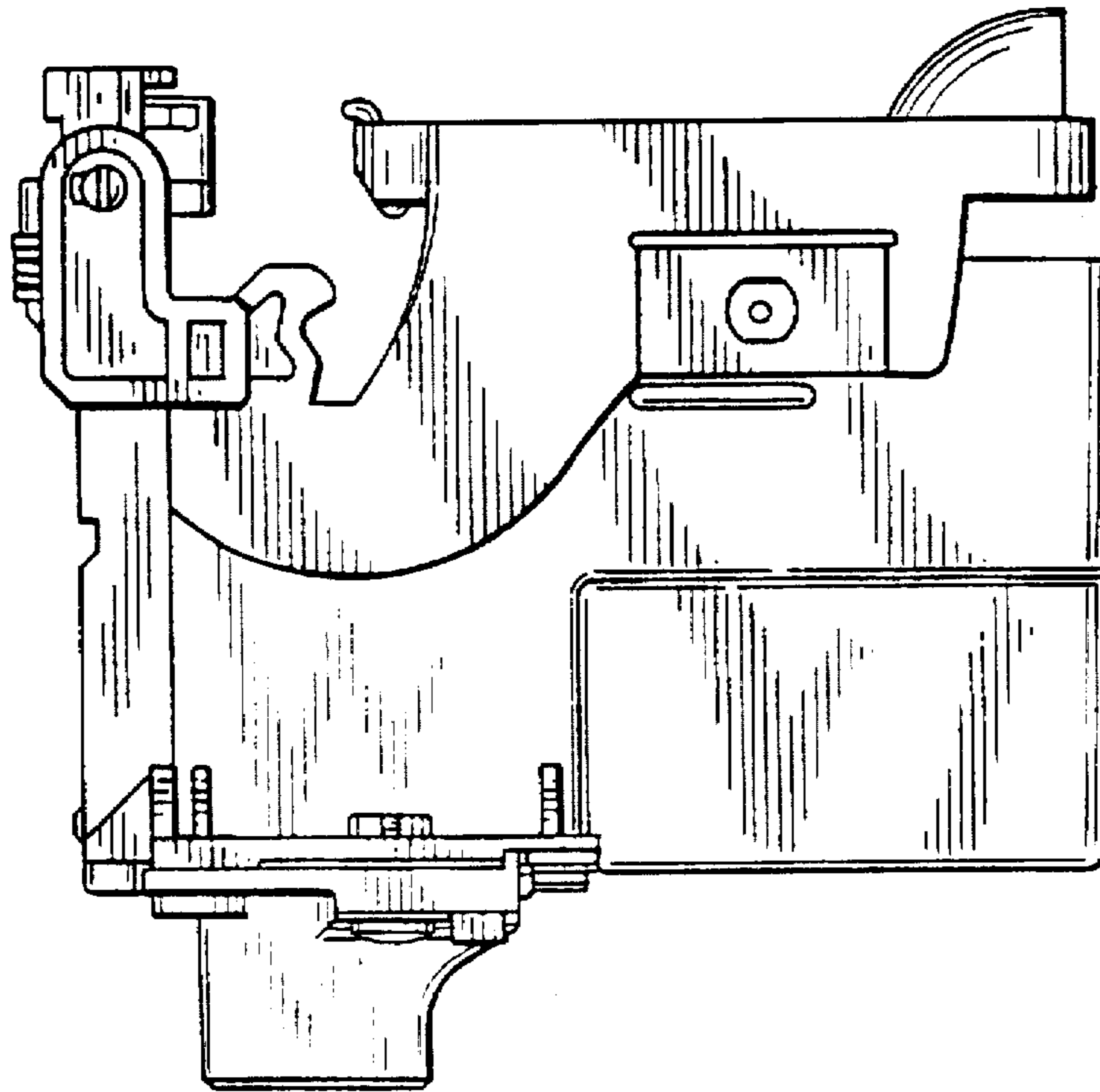
**FIG. 2**



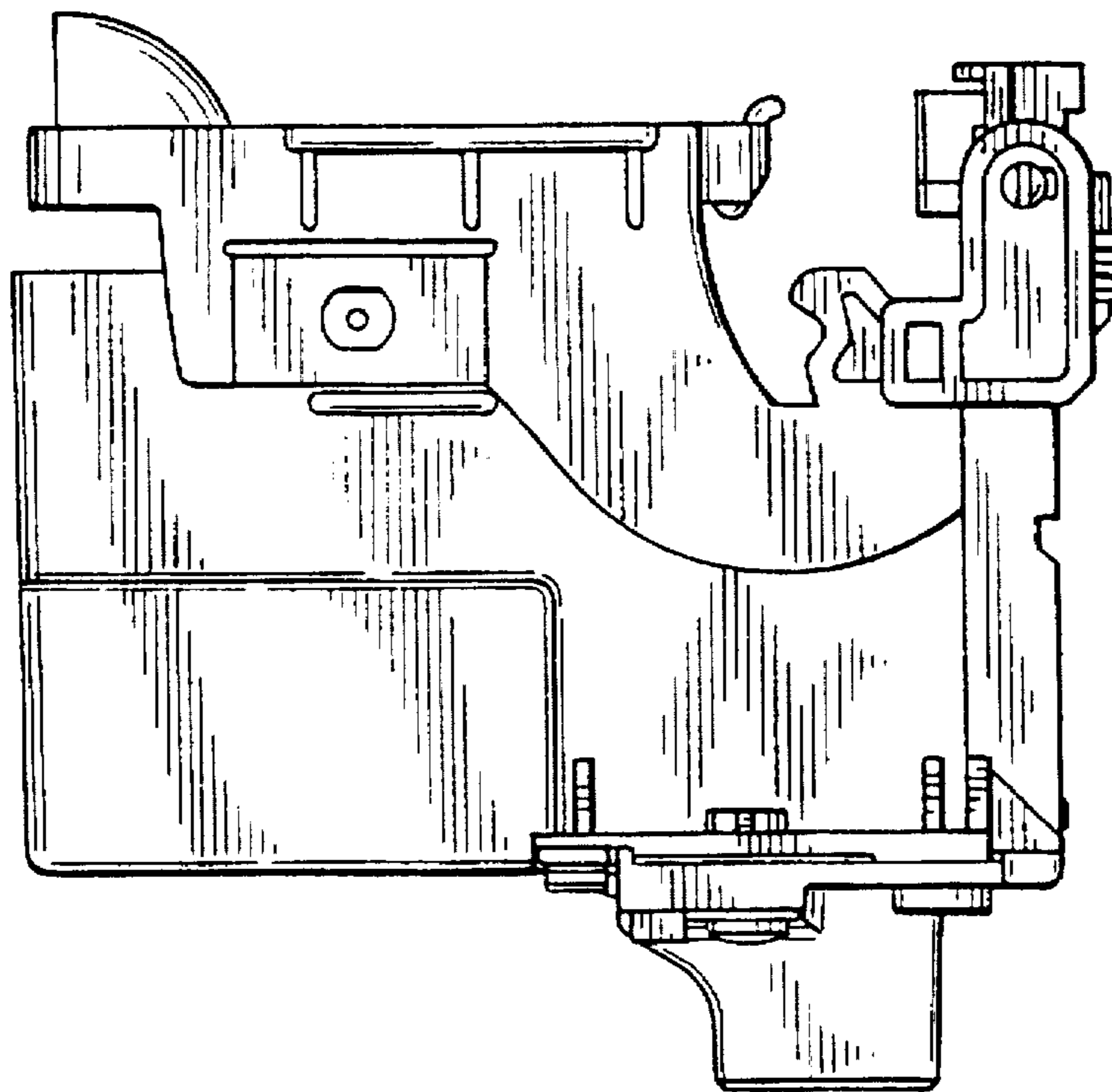
**FIG. 3**



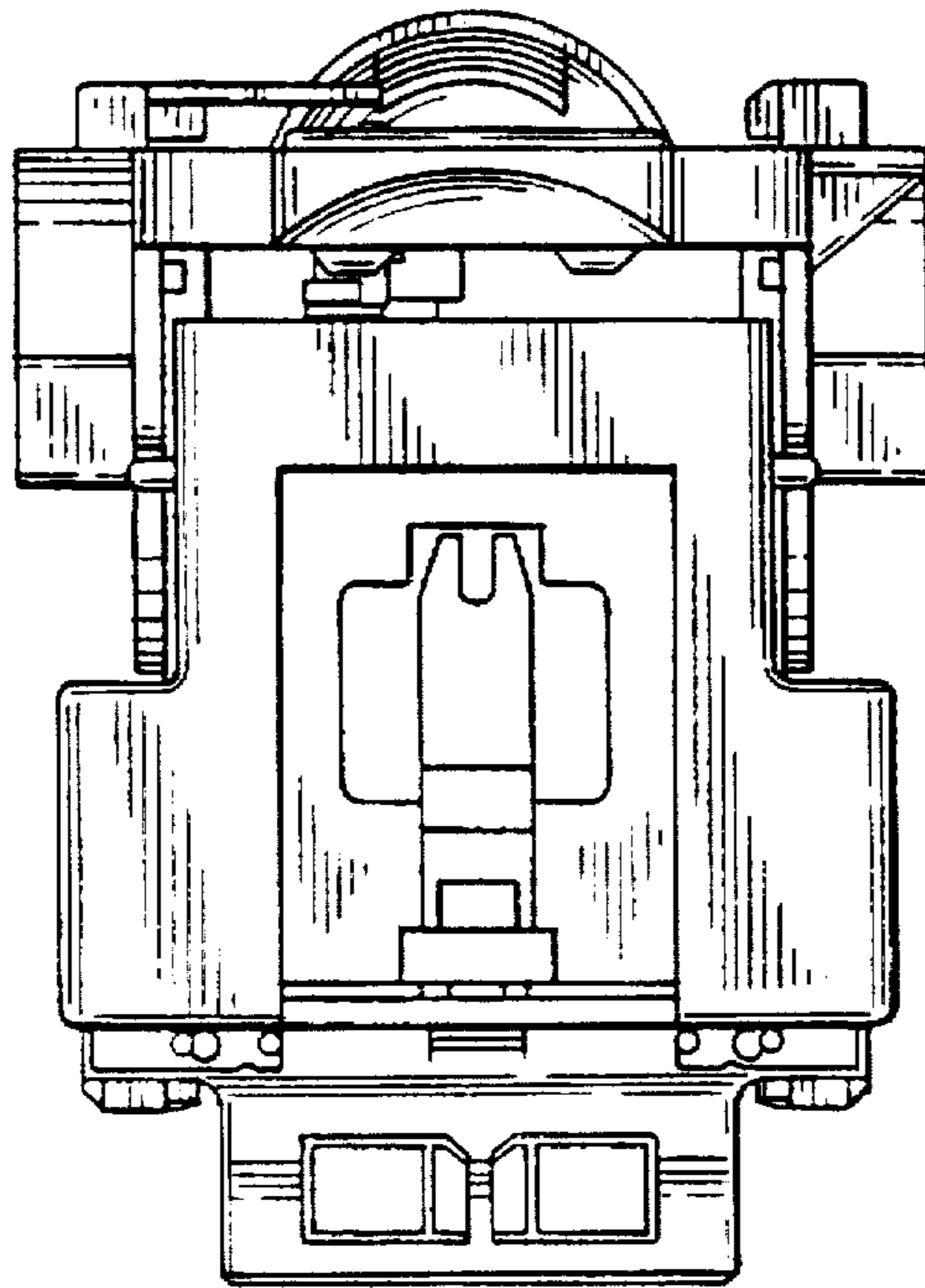
**FIG. 4**



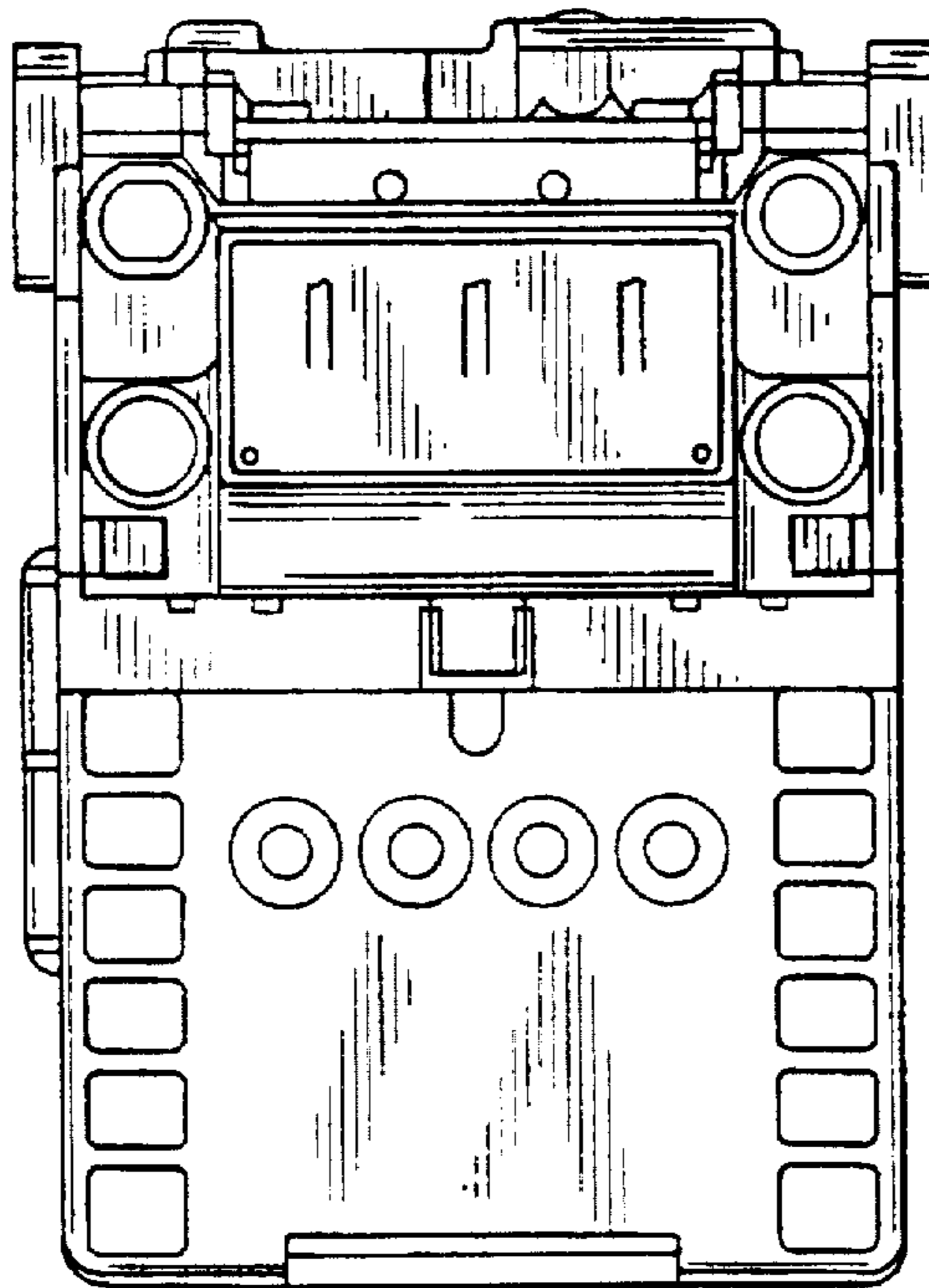
**FIG. 5**



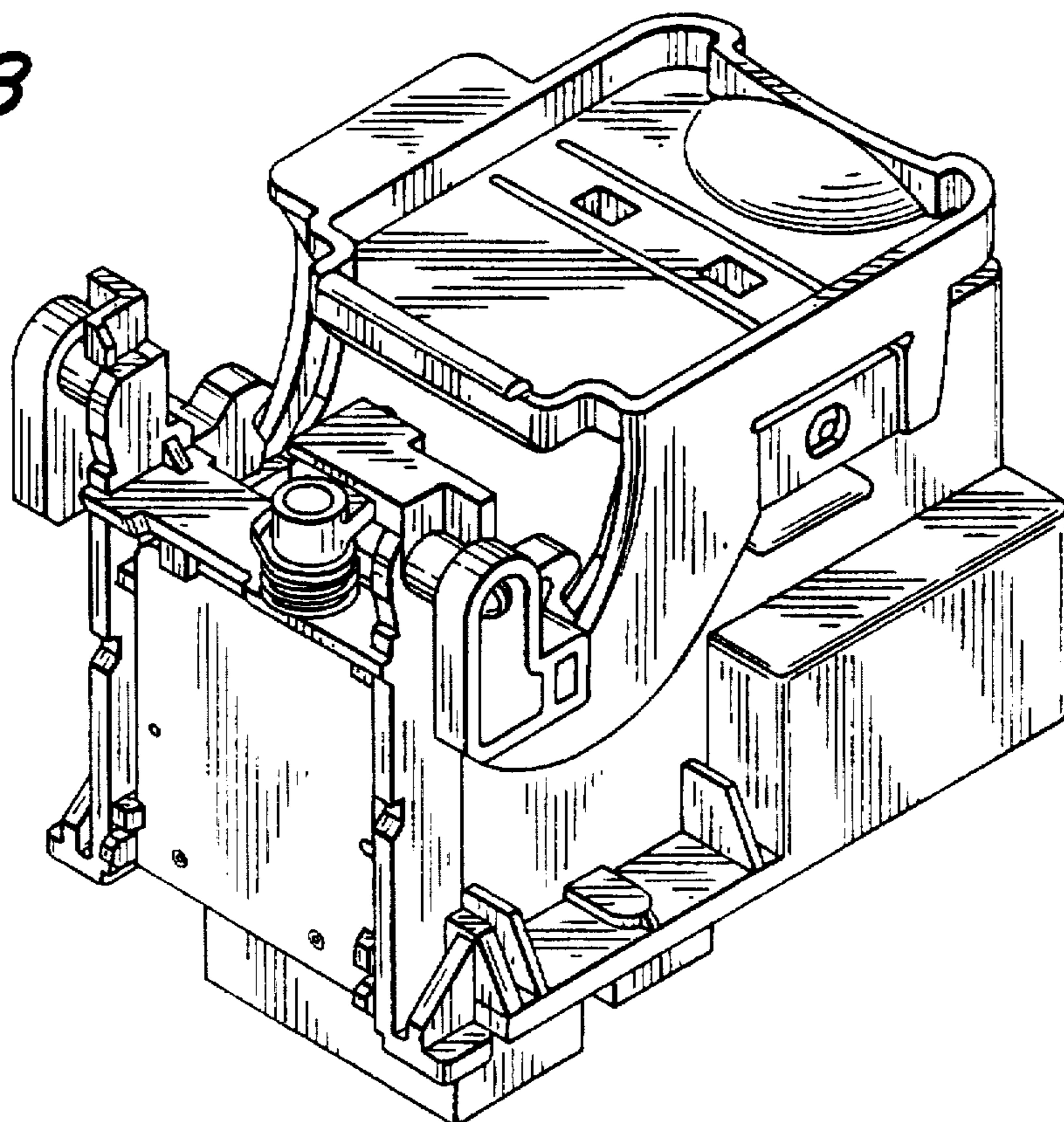
*FIG.6*



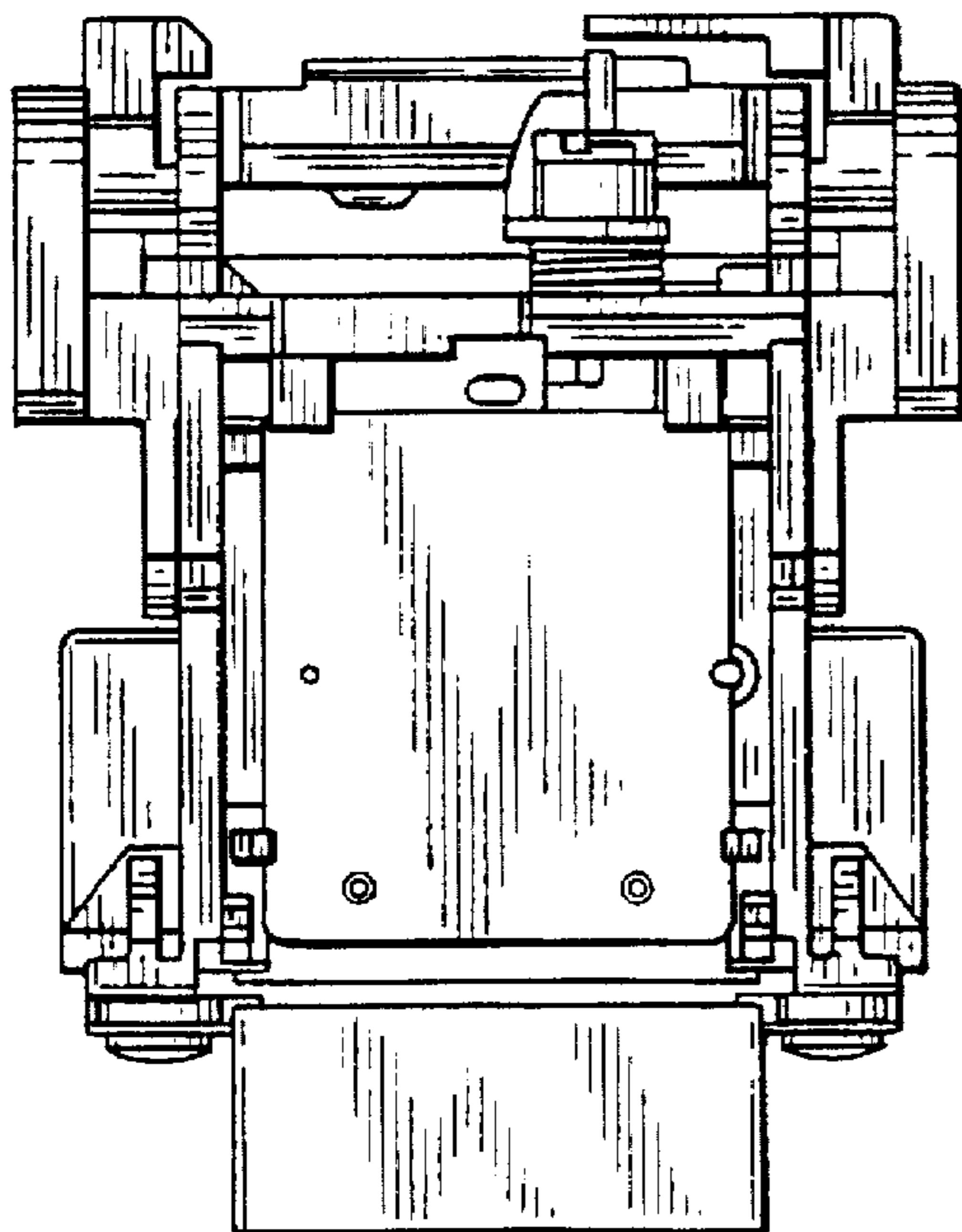
*FIG.7*



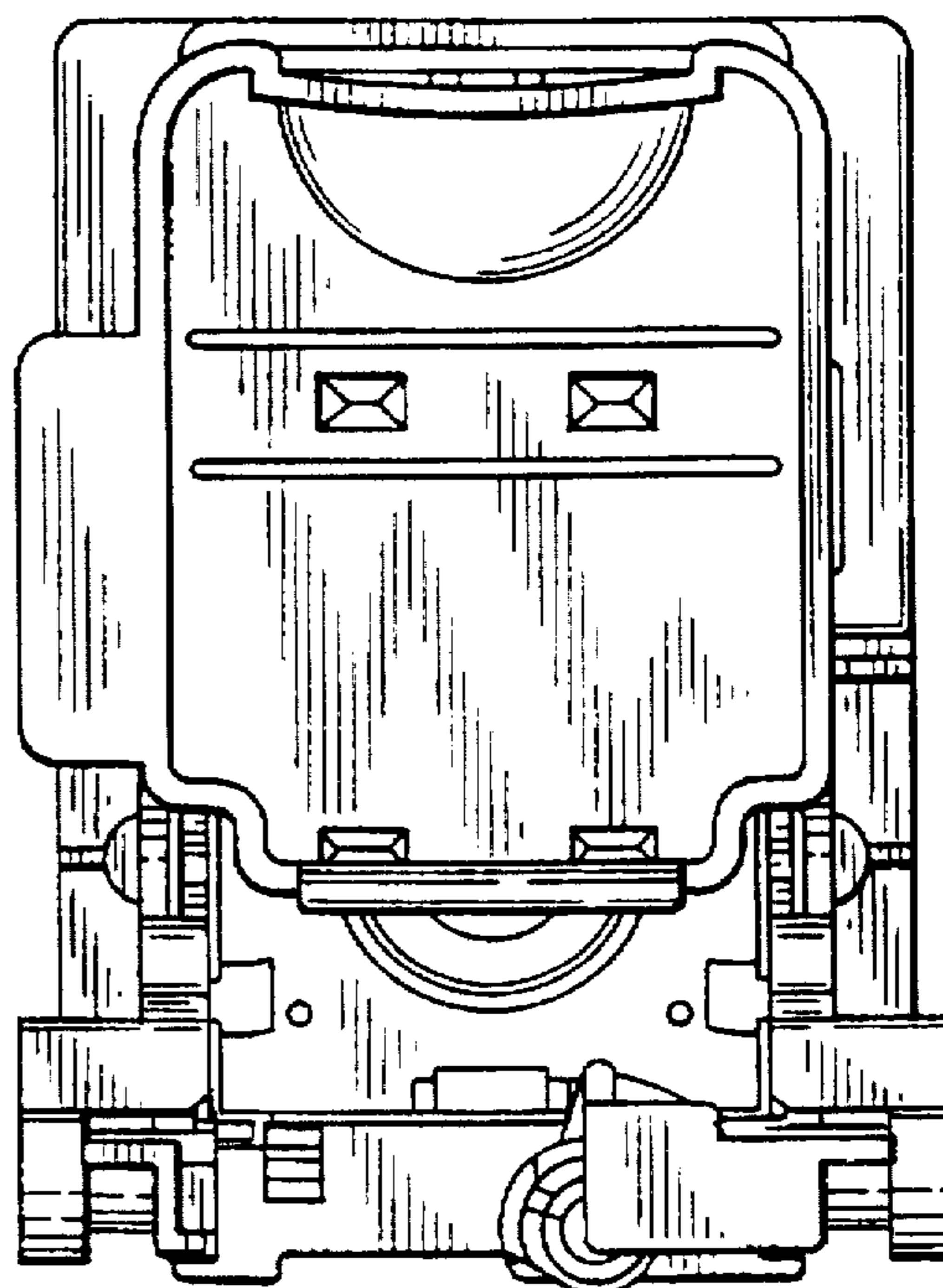
**FIG.8**



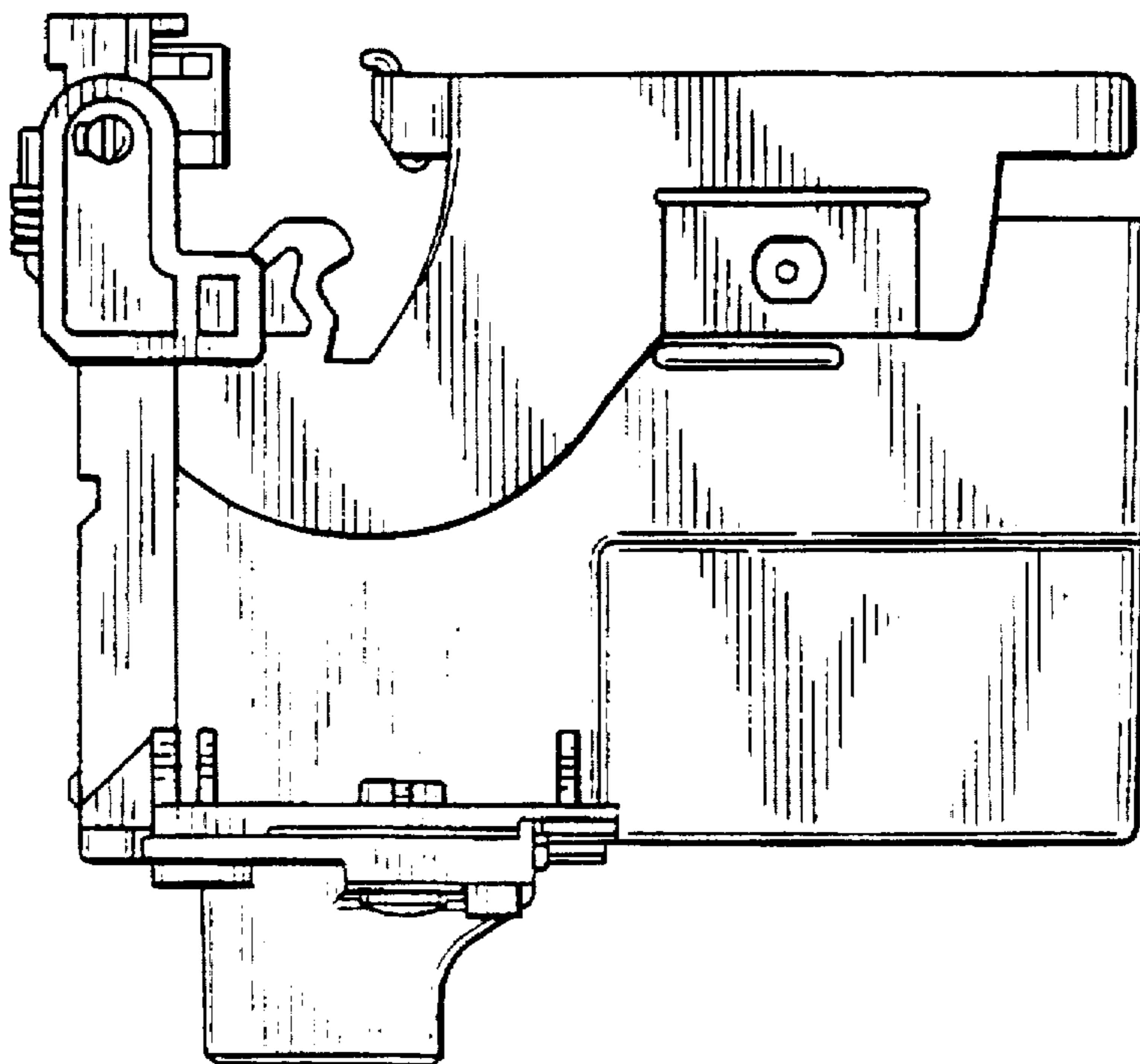
**FIG.9**



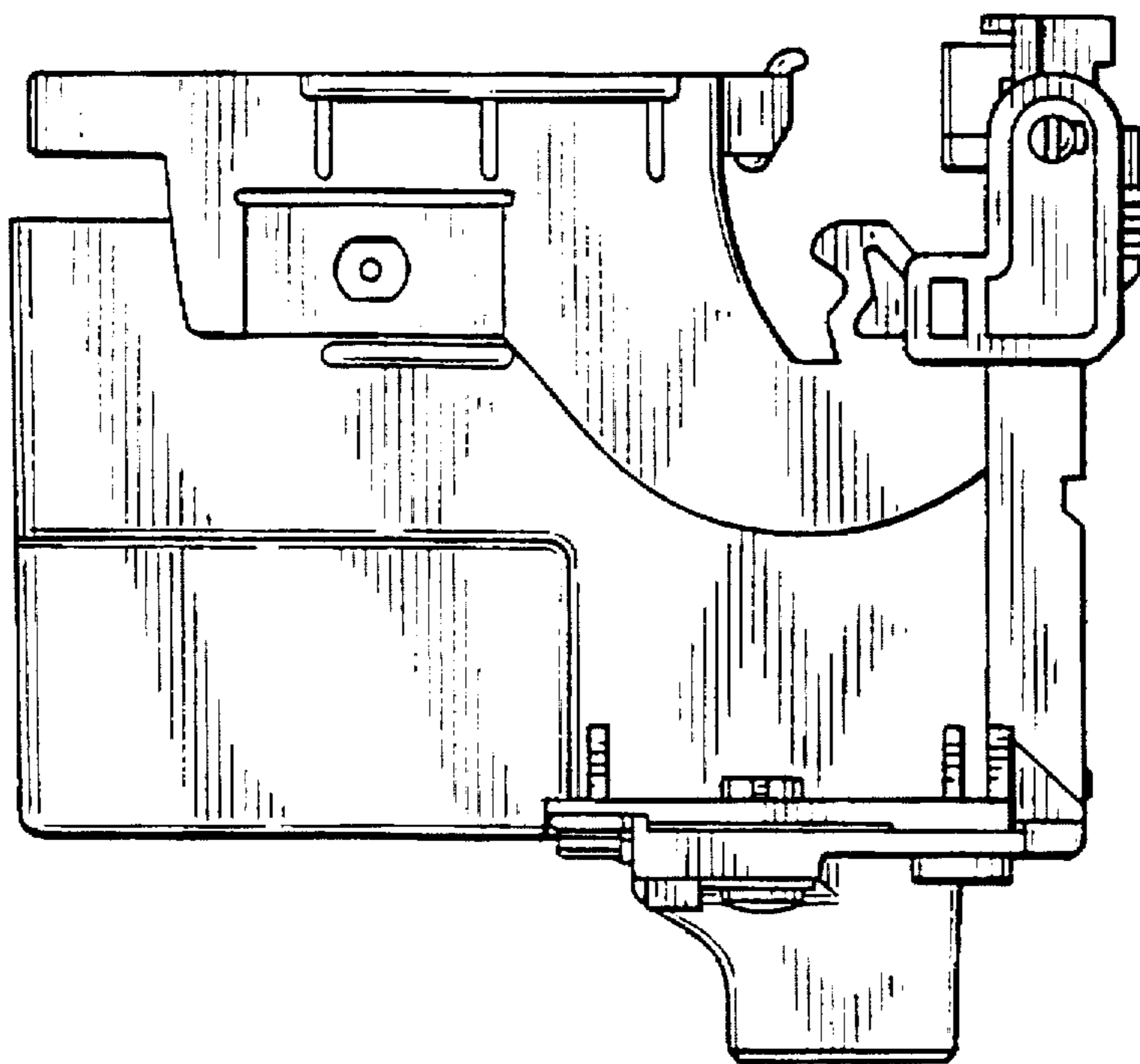
**FIG.10**



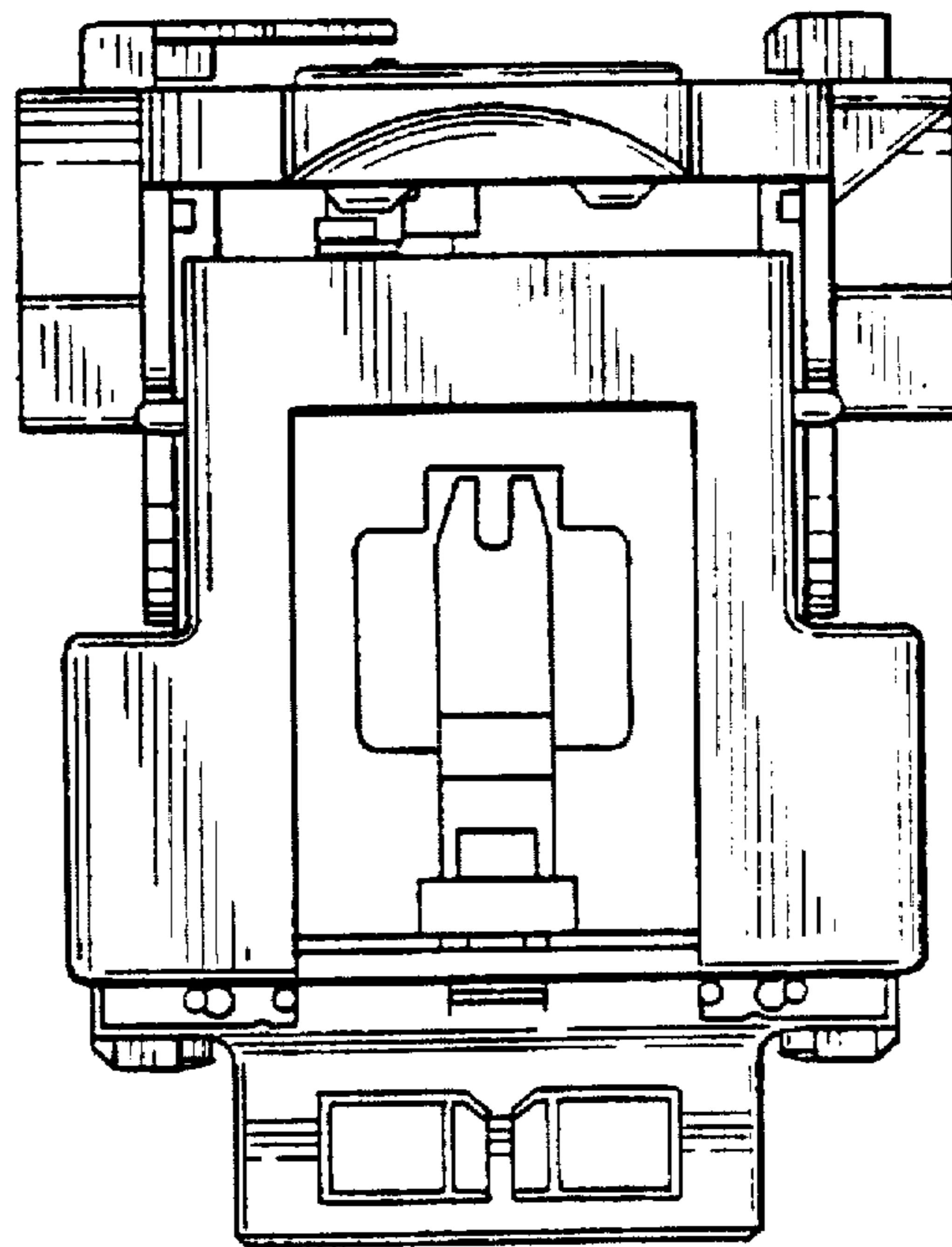
*FIG. 11*



*FIG. 12*



**FIG.13**



**FIG.14**

