



US00D391603S

United States Patent [19] Ikenaga

[11] Patent Number: **Des. 391,603**
[45] Date of Patent: ****Mar. 3, 1998**

[54] **PRINTER**

[75] Inventor: **Takashi Ikenaga**, Tokyo, Japan

[73] Assignee: **Sony Kabushiki Kaisha**, Tokyo, Japan

[**] Term: **14 Years**

[21] Appl. No.: **63,596**

[22] Filed: **Dec. 11, 1996**

[51] LOC (6) Cl. **14-02**

[52] U.S. Cl. **D18/50**

[58] Field of Search **D18/50, 54-55;**
400/613, 613.1-613.4, 690-694, 690.1-690.4

[56] **References Cited**

U.S. PATENT DOCUMENTS

D. 327,289	6/1992	Icester	D18/55
D. 330,043	10/1992	Reese	D18/55
D. 379,196	5/1997	Laidlaw	D18/55

FOREIGN PATENT DOCUMENTS

7853234 10/1988 Japan D18/55

OTHER PUBLICATIONS

Micro Center the Computer Department Store; p. 19; HP Laser Jet 4 Plus Printer; Aug. 1994.

Micro Center The Computer Department Store; p. 21; Epson ActionLaser 1500 Printer; Aug. 1994.

Genicom 5010 brochure; p. 5; Jun. 1986.

Dell Catalog; p. 16; Texas Instruments MicroLaser Plus Printer; Jun. 1992.

Primary Examiner—Cathy Anne MacCormac
Attorney, Agent, or Firm—Morgan & Finnegan LLP

[57] **CLAIM**

The ornamental design for the printer, as shown and described.

DESCRIPTION

FIG. 1 is a perspective view of the printer in accordance with the present invention;

FIG. 2 is a front elevation view of the printer thereof;

FIG. 3 is a rear elevation view of printer thereof;

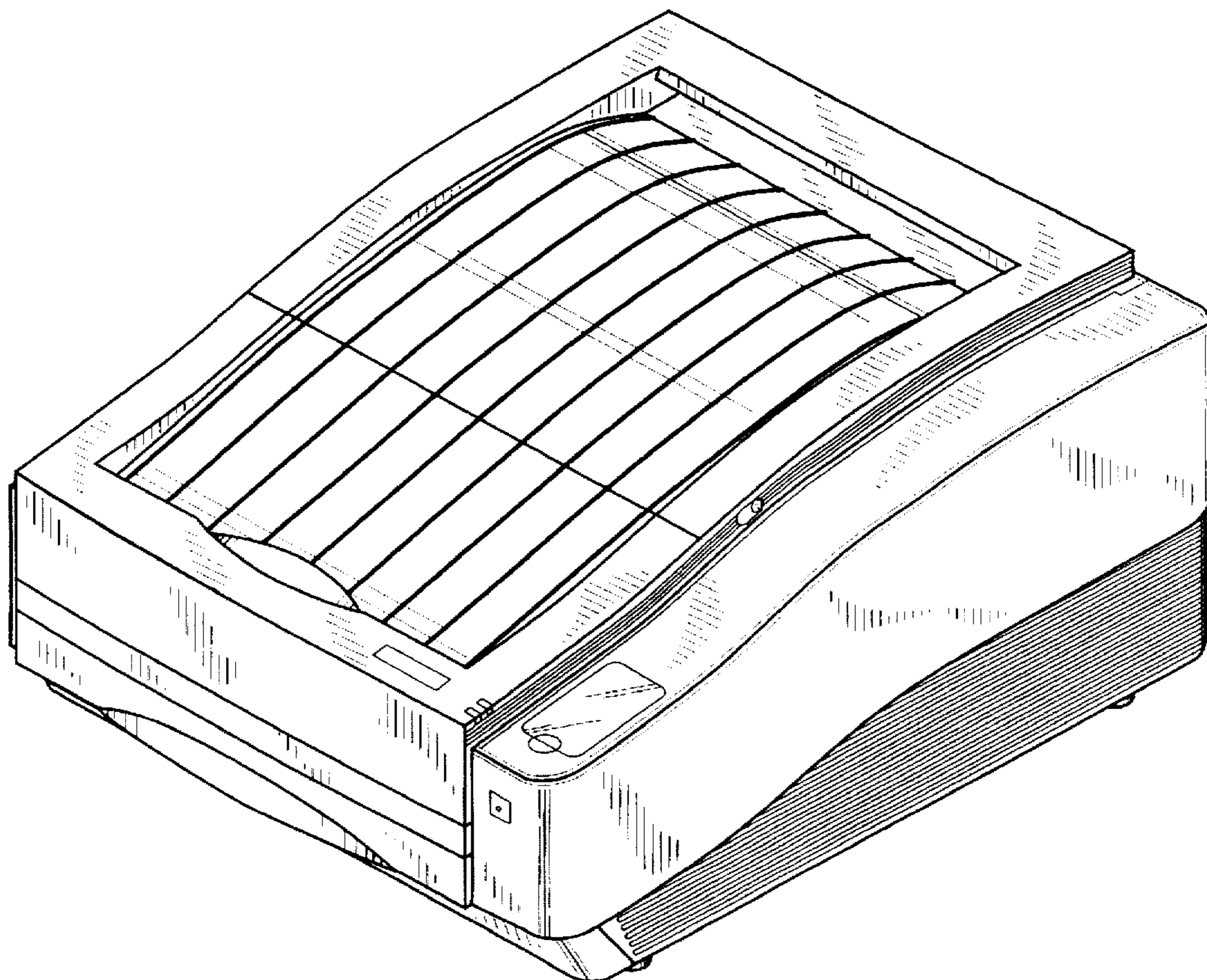
FIG. 4 is a bottom plan view of the printer thereof;

FIG. 5 is a top plan view of the printer thereof;

FIG. 6 is a left side elevation view of the printer thereof; and

FIG. 7 is a right side elevation view of the printer thereof.

1 Claim, 4 Drawing Sheets



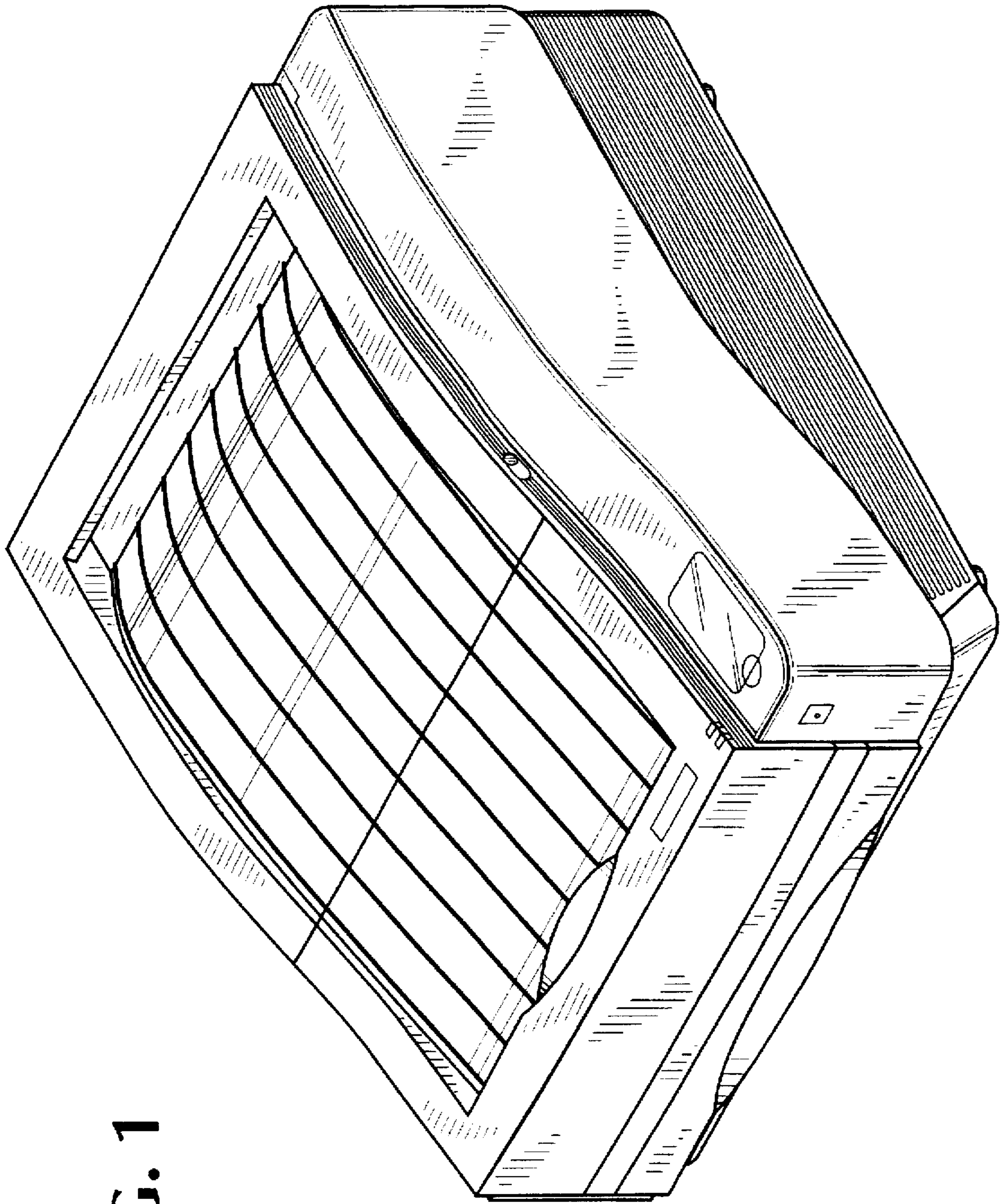


FIG. 1

FIG. 2

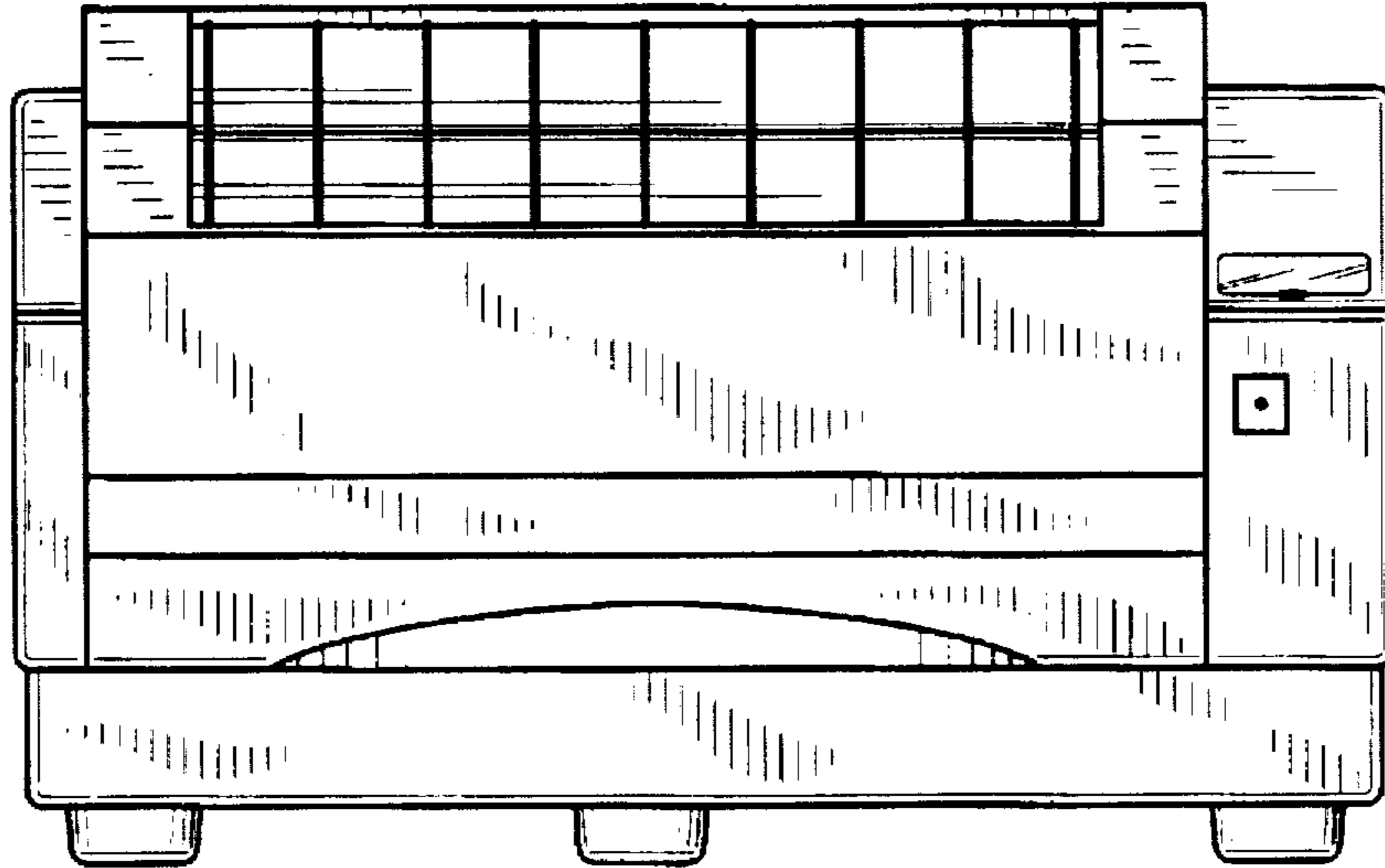


FIG. 3

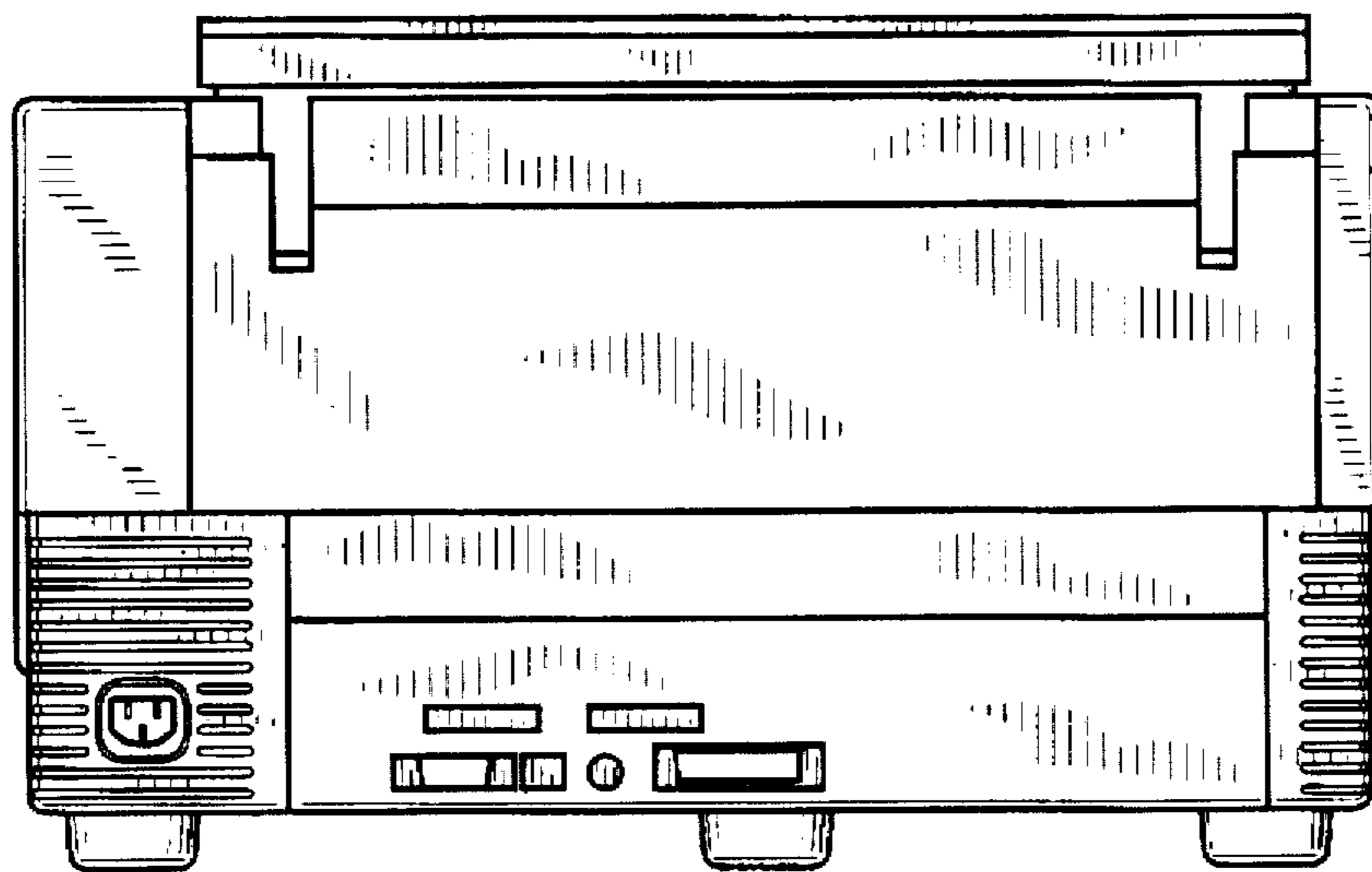


FIG. 4

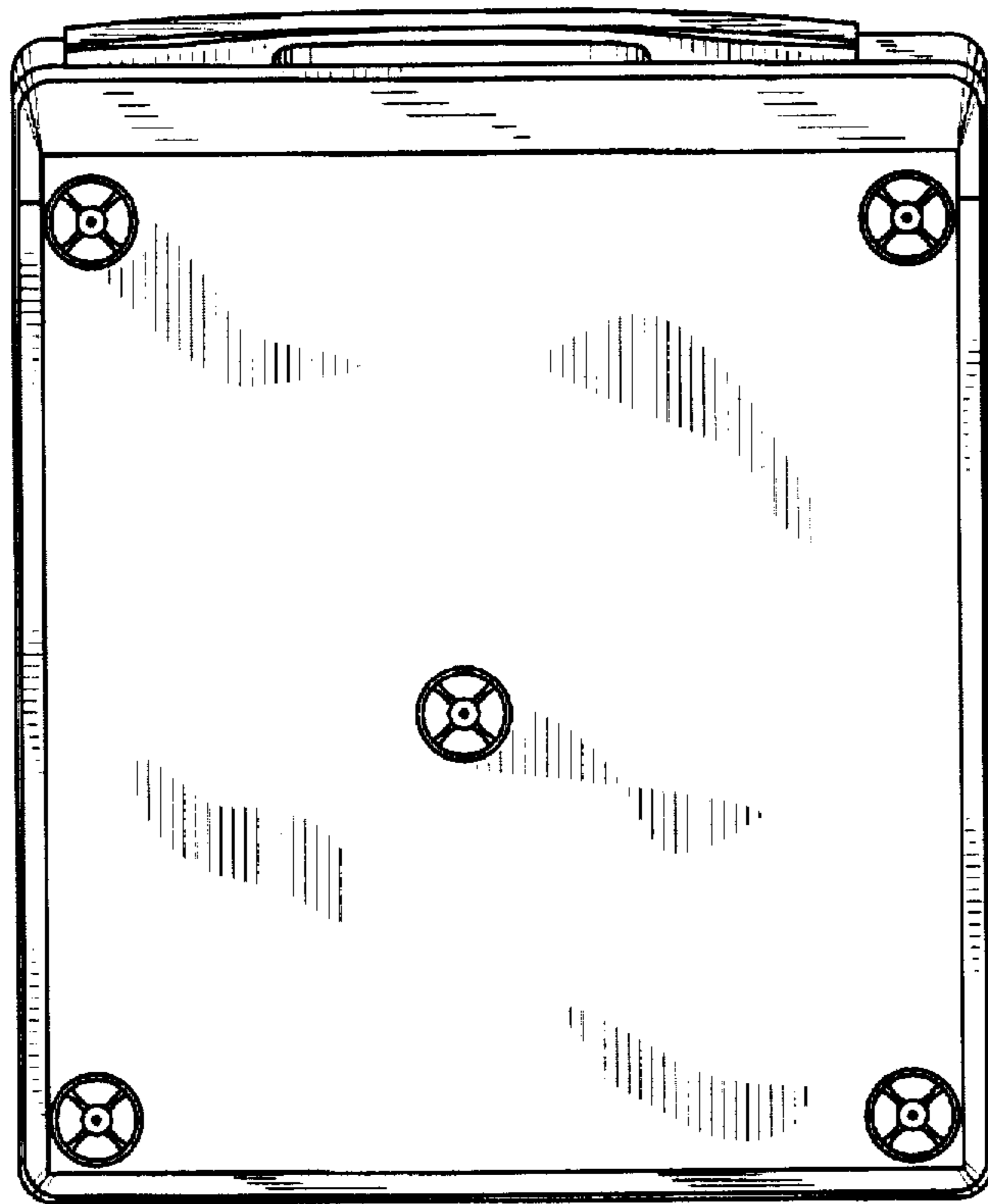


FIG. 5

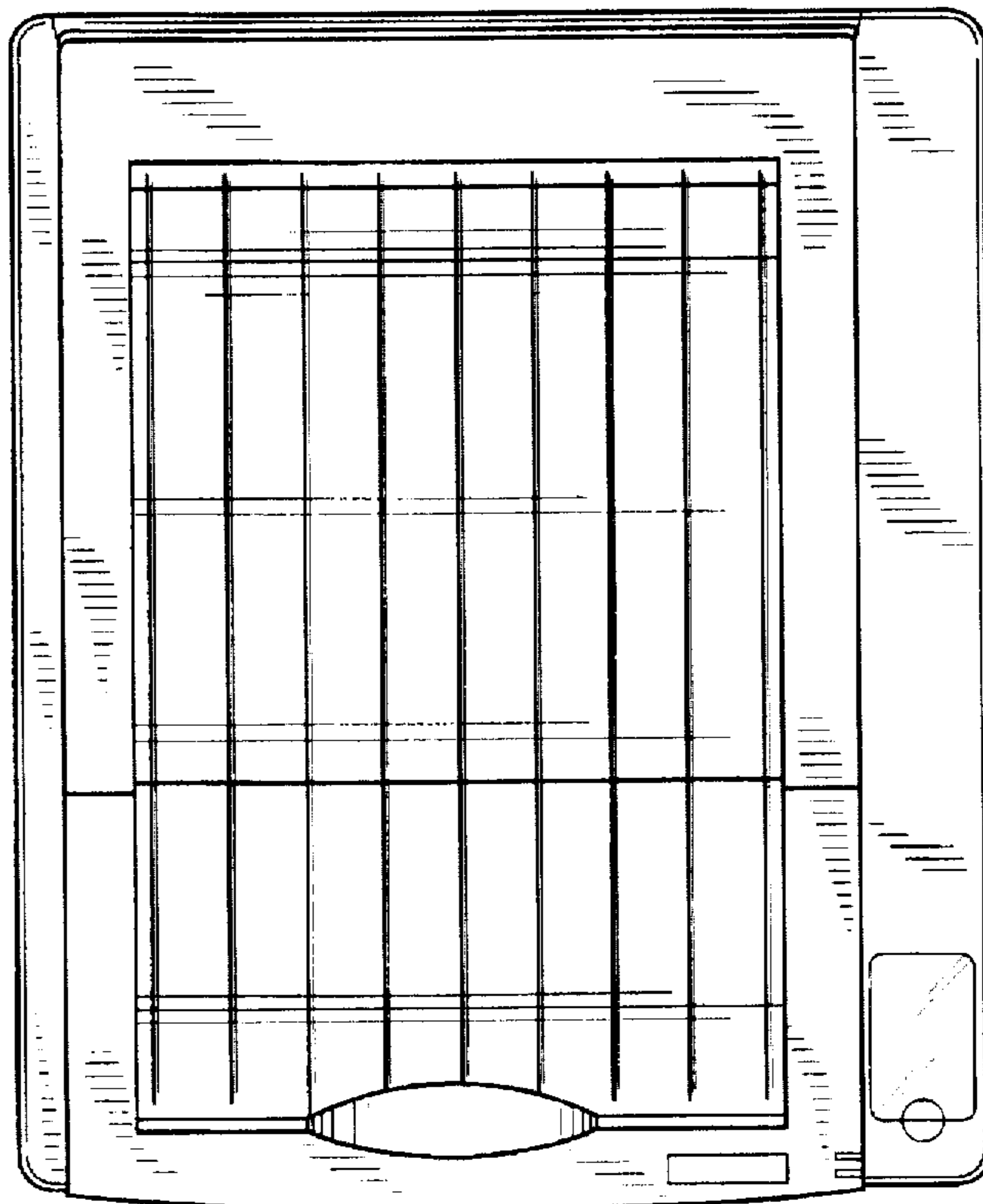


FIG. 6

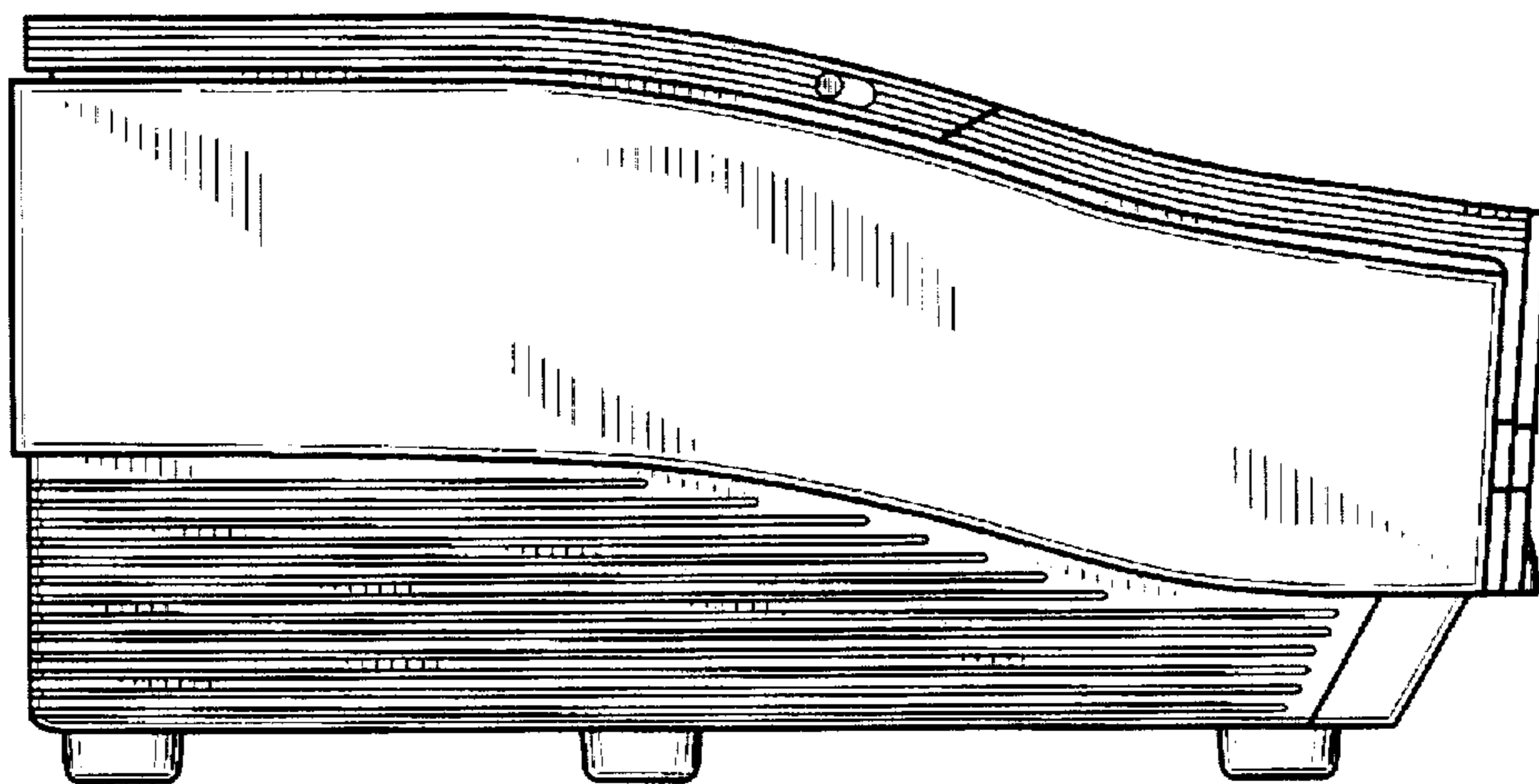


FIG. 7

