



US00D391591S

United States Patent [19]

Kikuchi et al.

[11] Patent Number: **Des. 391,591**

[45] Date of Patent: ****Mar. 3, 1998**

[54] **LIQUID CRYSTAL PROJECTOR**

[75] Inventors: **Masami Kikuchi**, Kodaira; **Takashi Akiyama**, Sayama; **Shuichi Harada**, Machida, all of Japan

[73] Assignee: **Citizen Watch Co., Ltd.**, Tokyo, Japan

[**] Term: **14 Years**

[21] Appl. No.: **57,103**

[22] Filed: **Jul. 16, 1996**

[51] LOC (6) Cl. **16-02**

[52] U.S. Cl. **D16/229**

[58] Field of Search D16/221, 225, D16/229, 231; 40/361-367; 349/5, 7, 8, 9, 58; 353/115, 119, 122

[56] **References Cited**

U.S. PATENT DOCUMENTS

D. 203,714	2/1966	Radtke	D16/229
D. 267,251	12/1982	Link et al.	D16/229
D. 289,769	5/1987	Gessler	D16/229
4,403,216	9/1983	Yokoi	40/365

FOREIGN PATENT DOCUMENTS

403278045	12/1991	Japan	349/5
-----------	---------	-------	-------	-------

Primary Examiner—Philip S. Hyder
Assistant Examiner—Adir Aronovich
Attorney, Agent, or Firm—Cushman Darby & Cushman IP Group of Pillsbury Madison & Sutro LLP

[57] **CLAIM**

The ornamental design for a liquid crystal projector, as shown and described.

DESCRIPTION

FIG. 1 is a top, front and right side perspective view of a liquid crystal projector showing our design;

FIG. 2 is a front elevational view thereof;

FIG. 3 is a rear elevational view thereof;

FIG. 4 is a left side elevational view thereof;

FIG. 5 is a right side elevational view thereof;

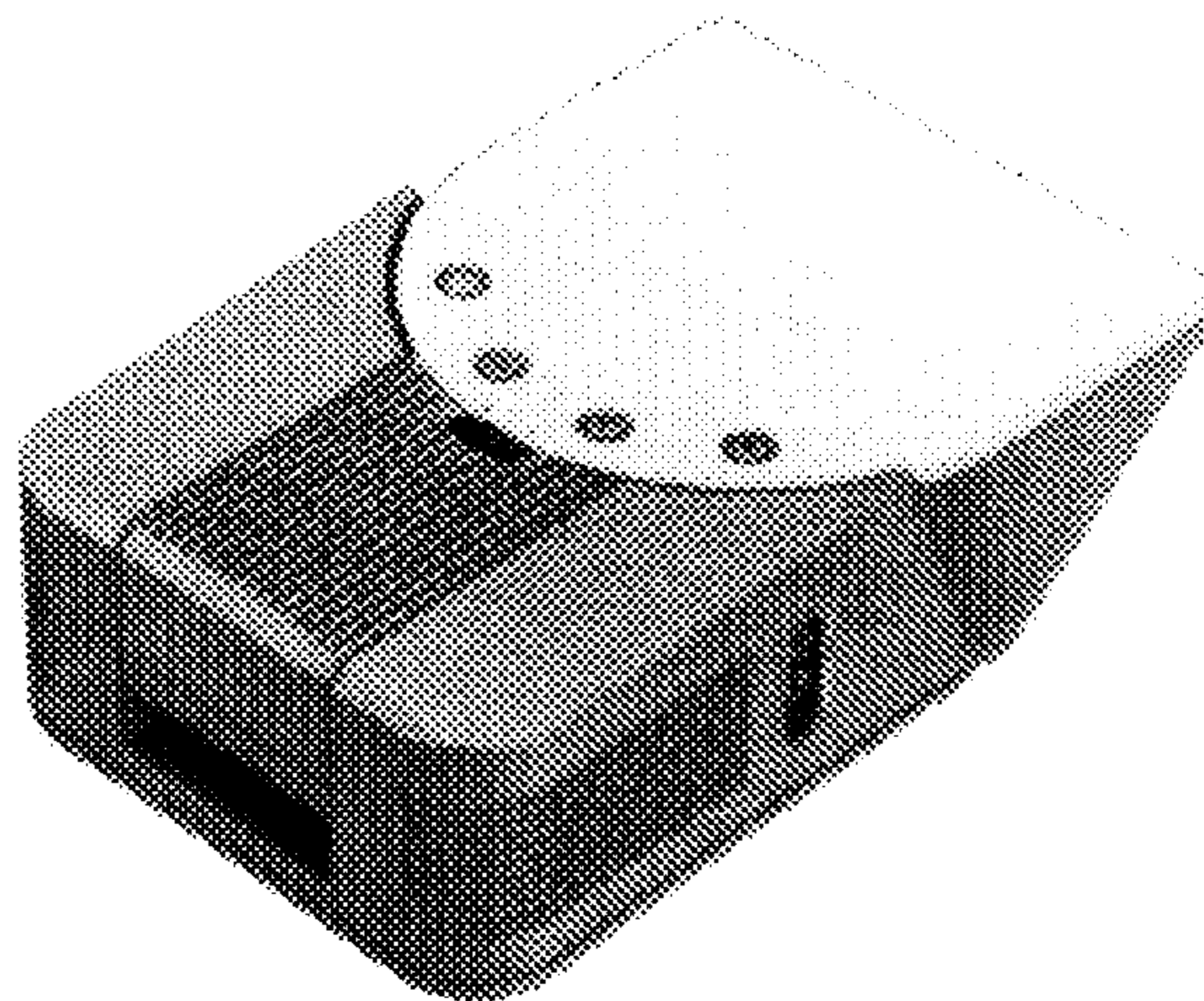
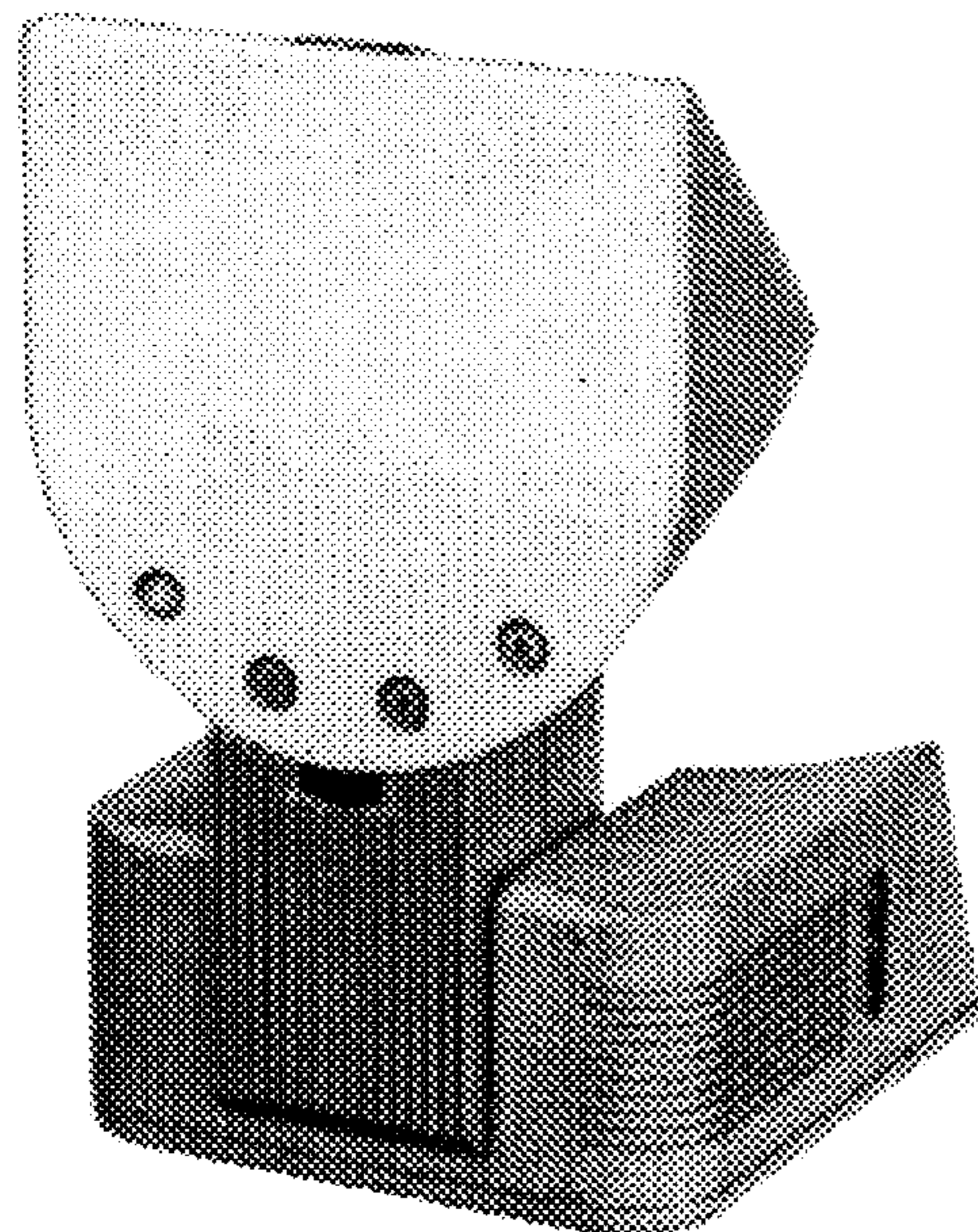
FIG. 6 is a top plan view thereof;

FIG. 7 is a bottom plan view thereof;

FIG. 8 is a top, front and right side perspective view thereof showing in folded position; and,

FIG. 9 is a top, front and right side perspective view thereof showing in working condition.

1 Claim, 3 Drawing Sheets



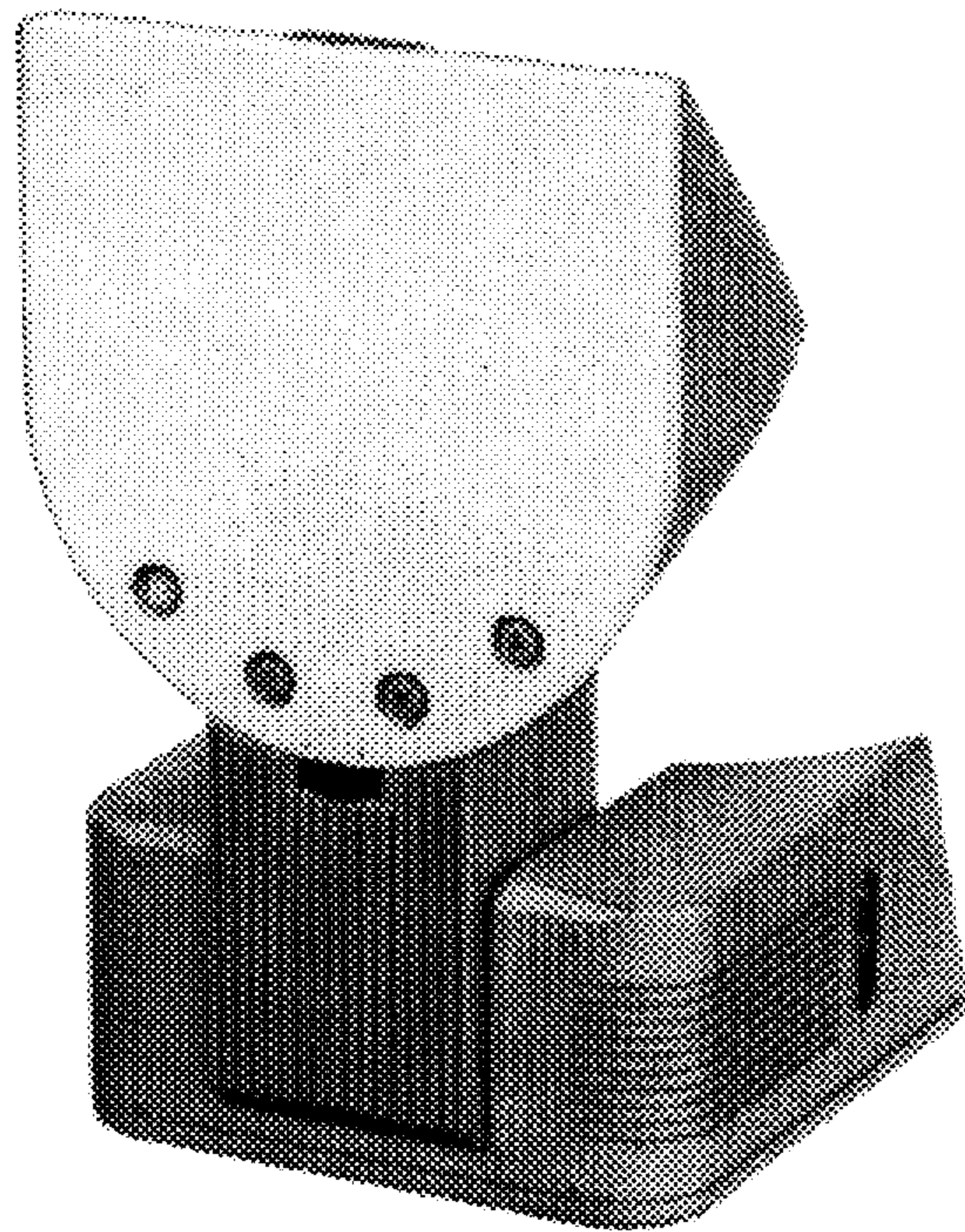


FIG. 1

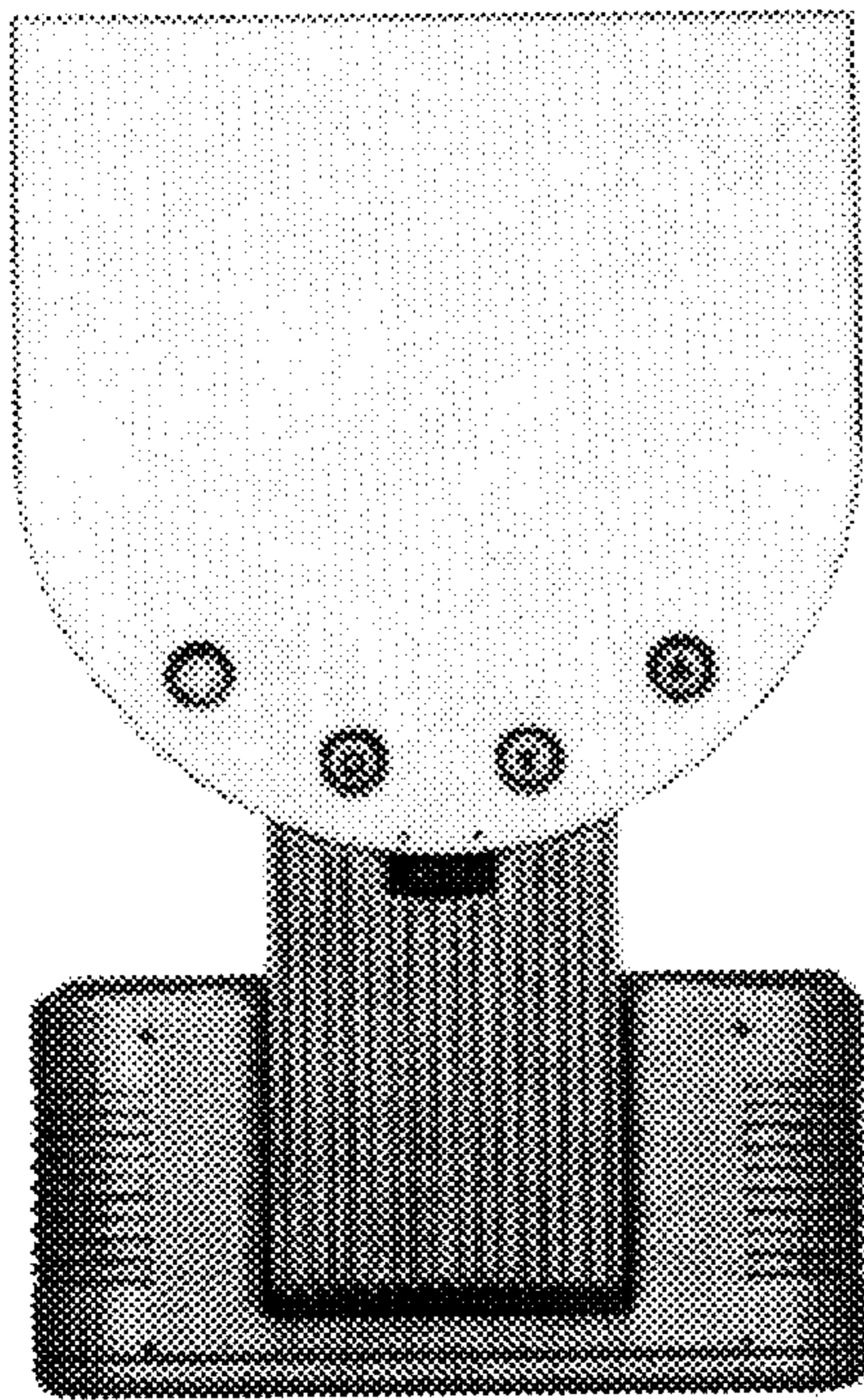


FIG. 2

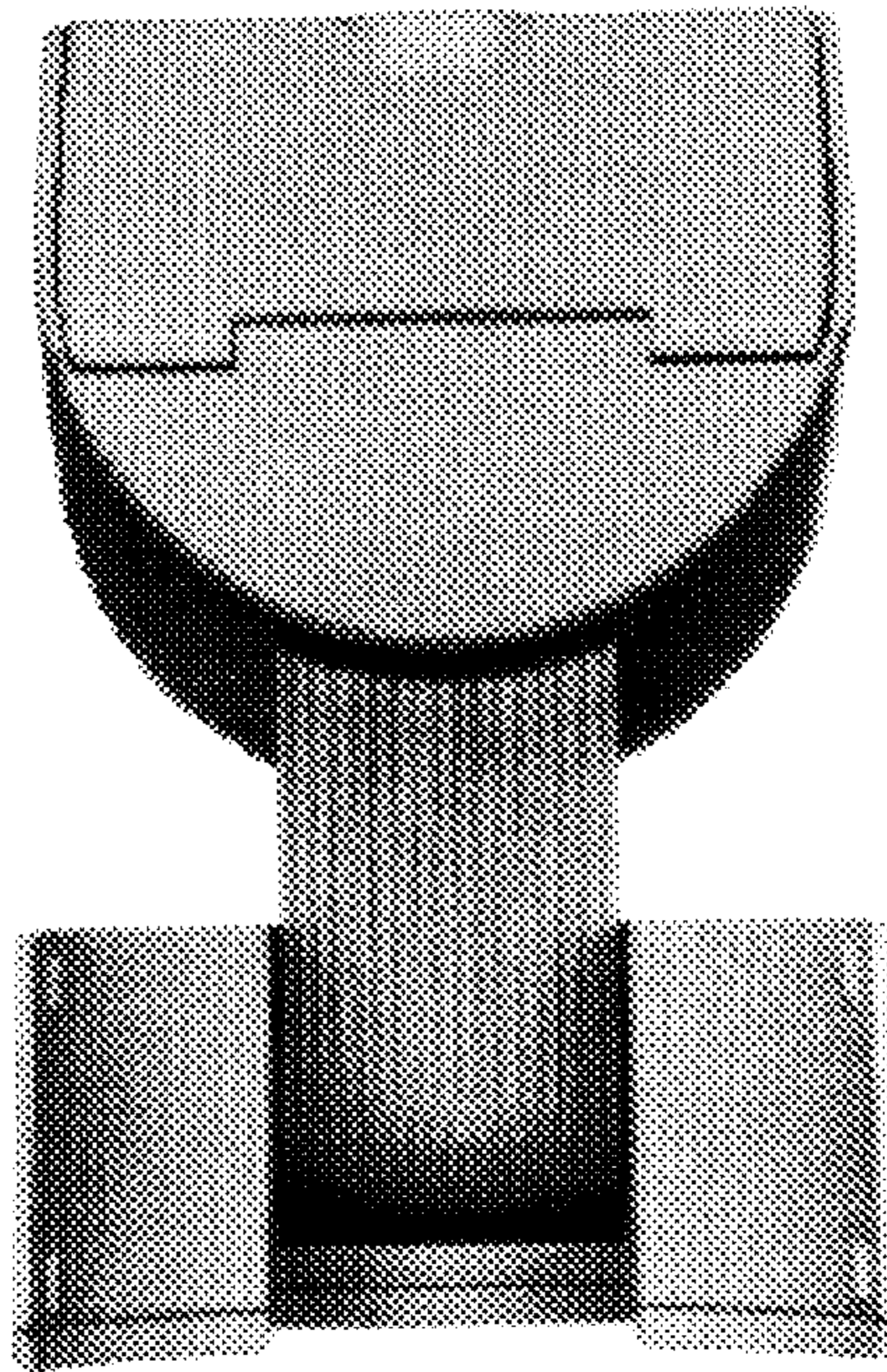


FIG. 3

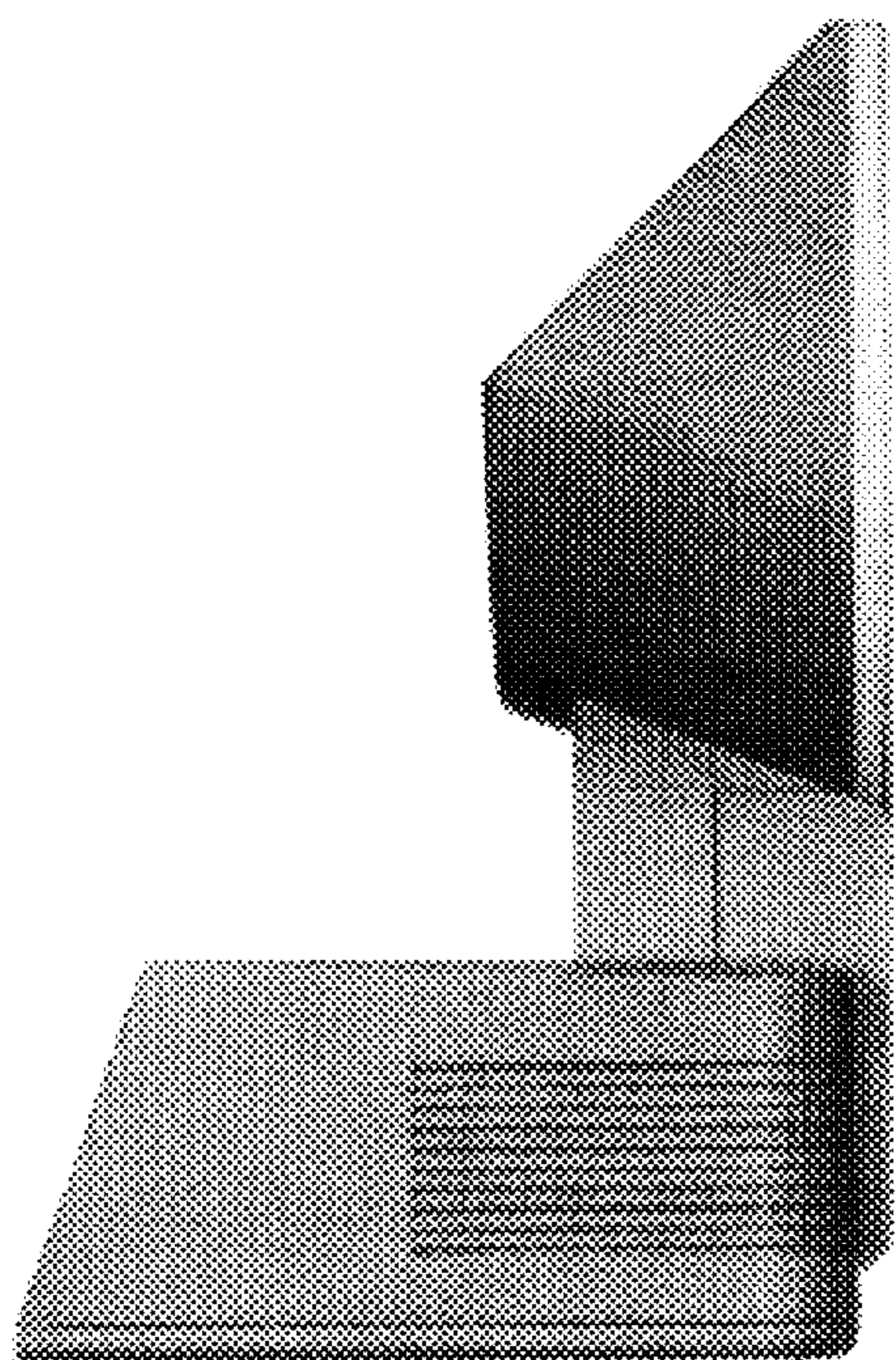


FIG. 4

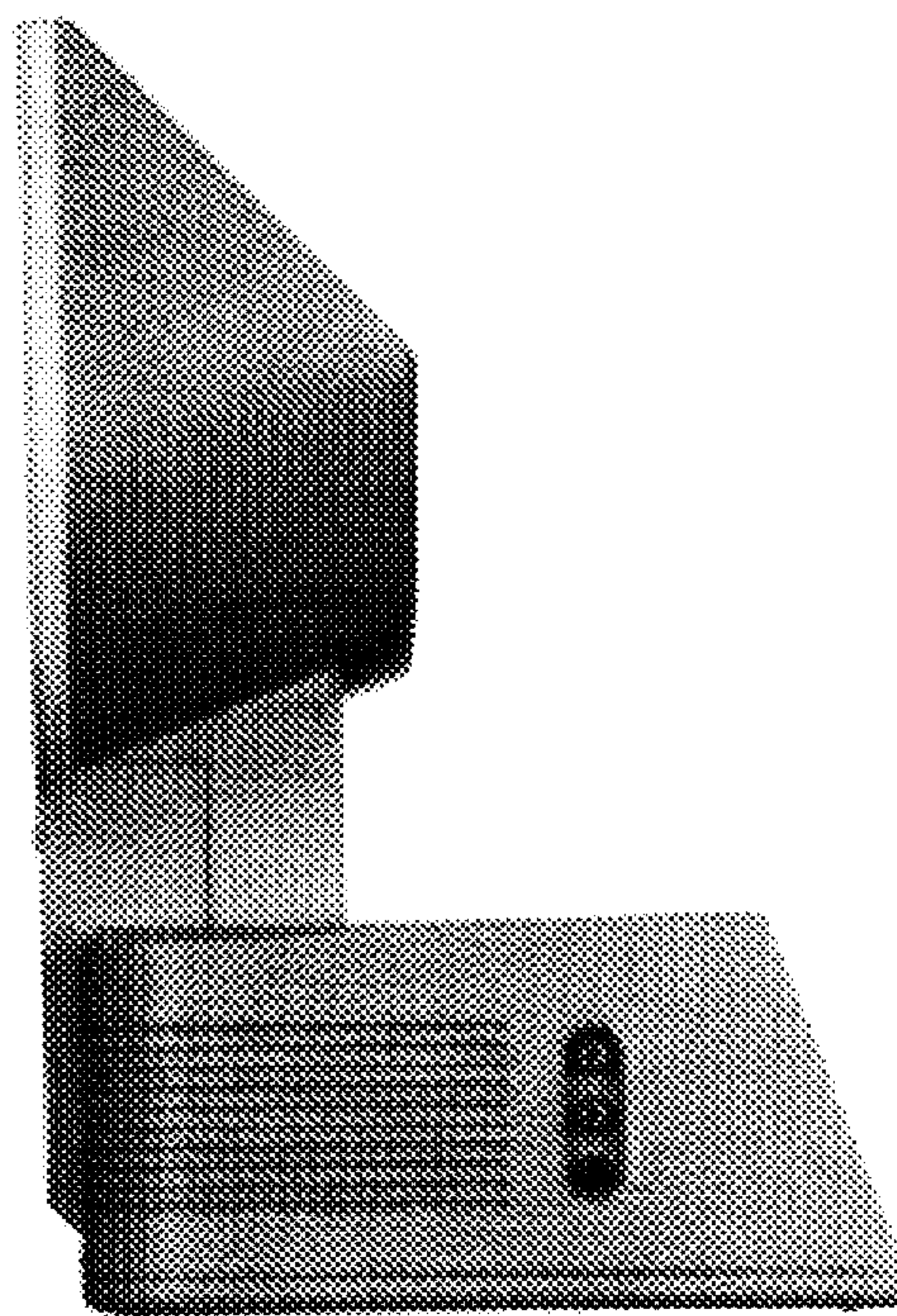


FIG. 5

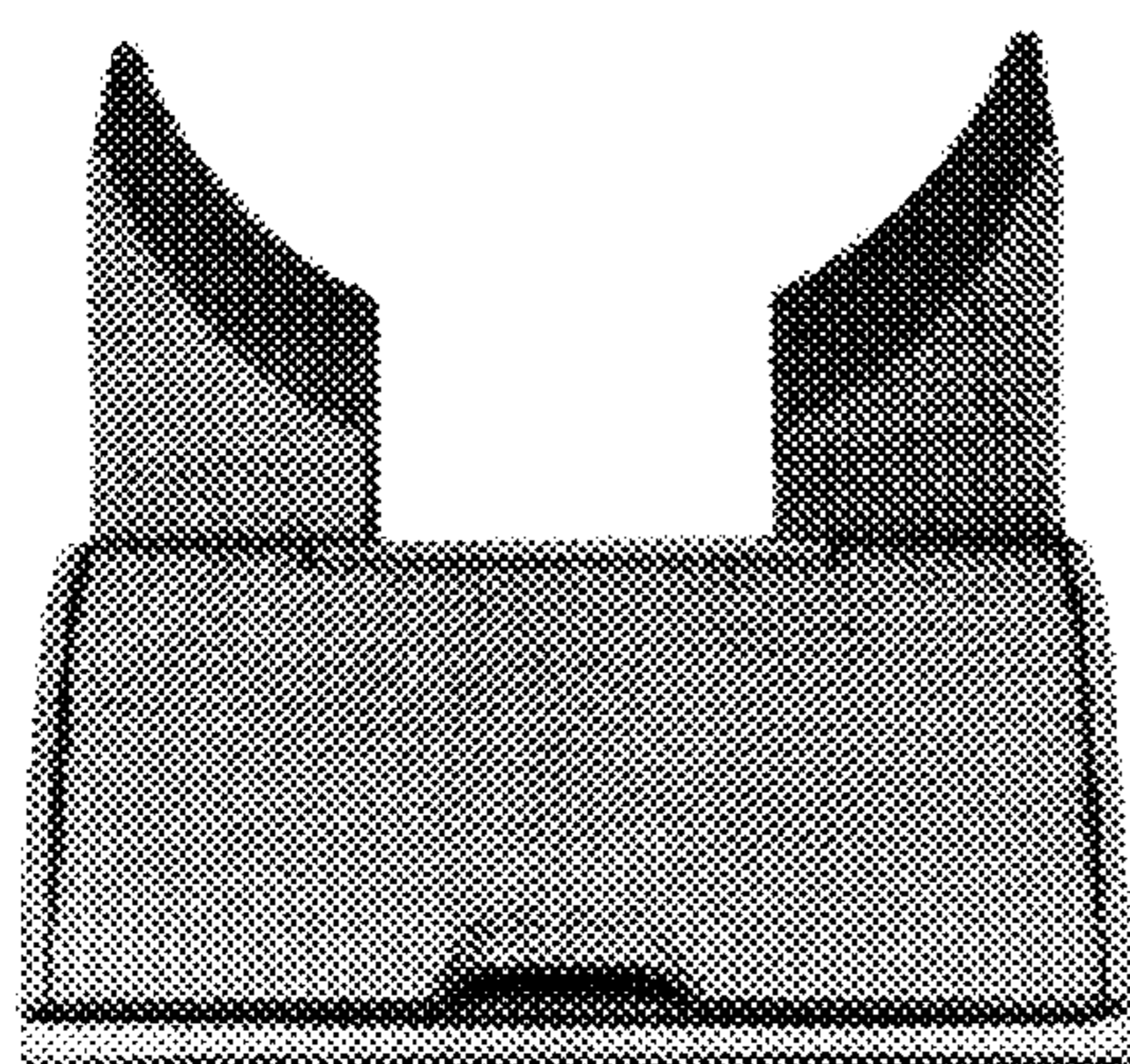


FIG. 6

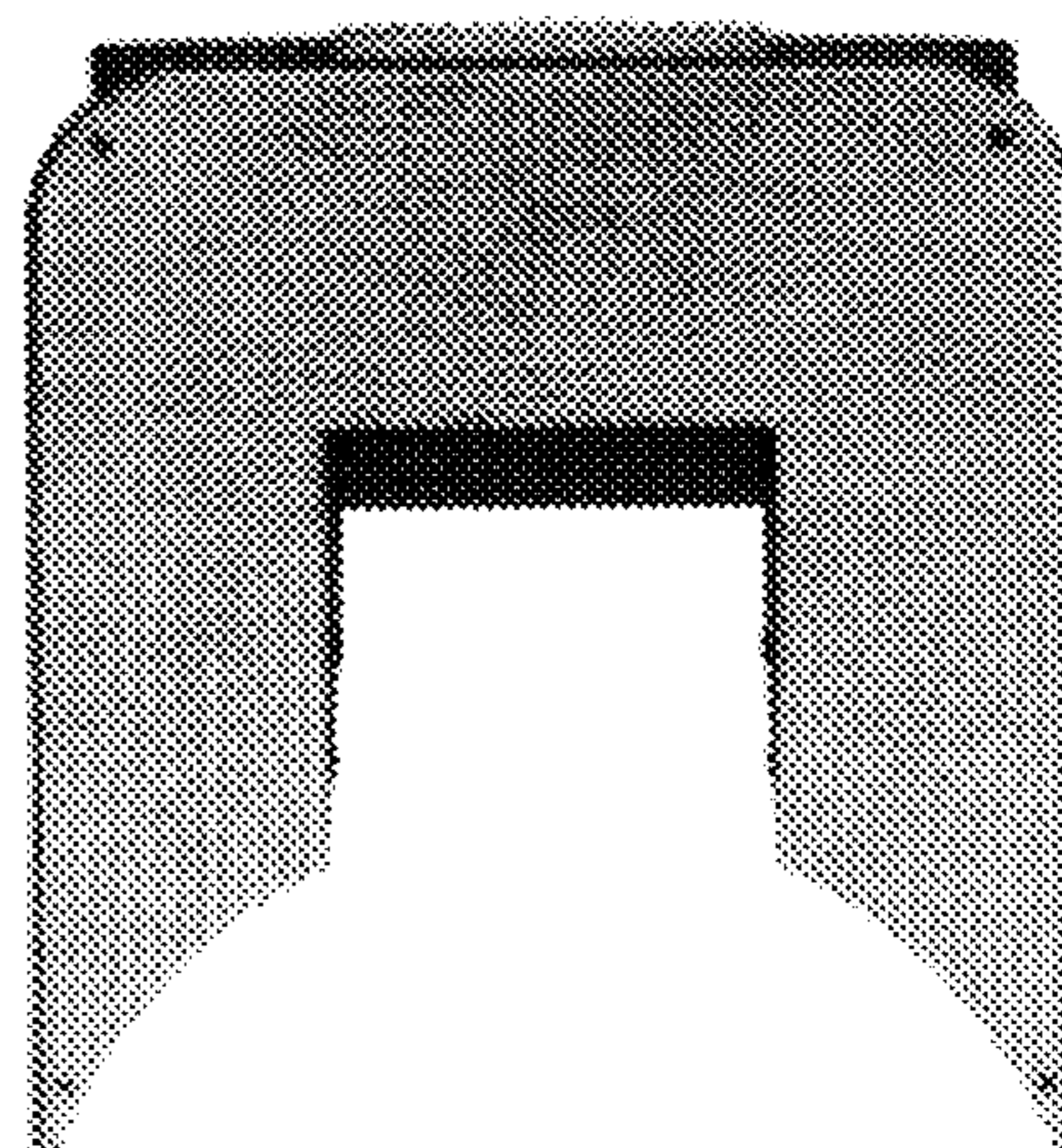


FIG. 7

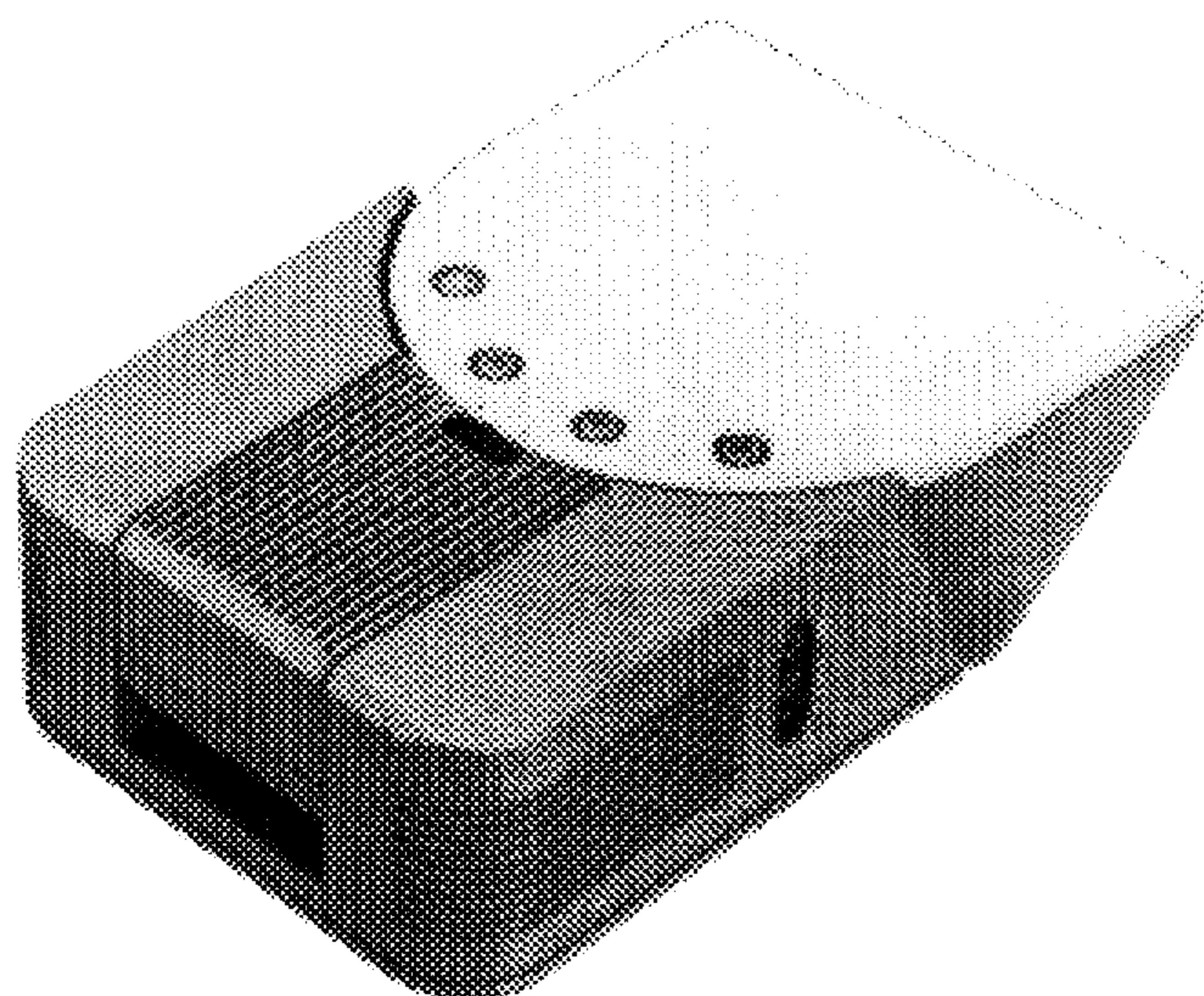


FIG. 8

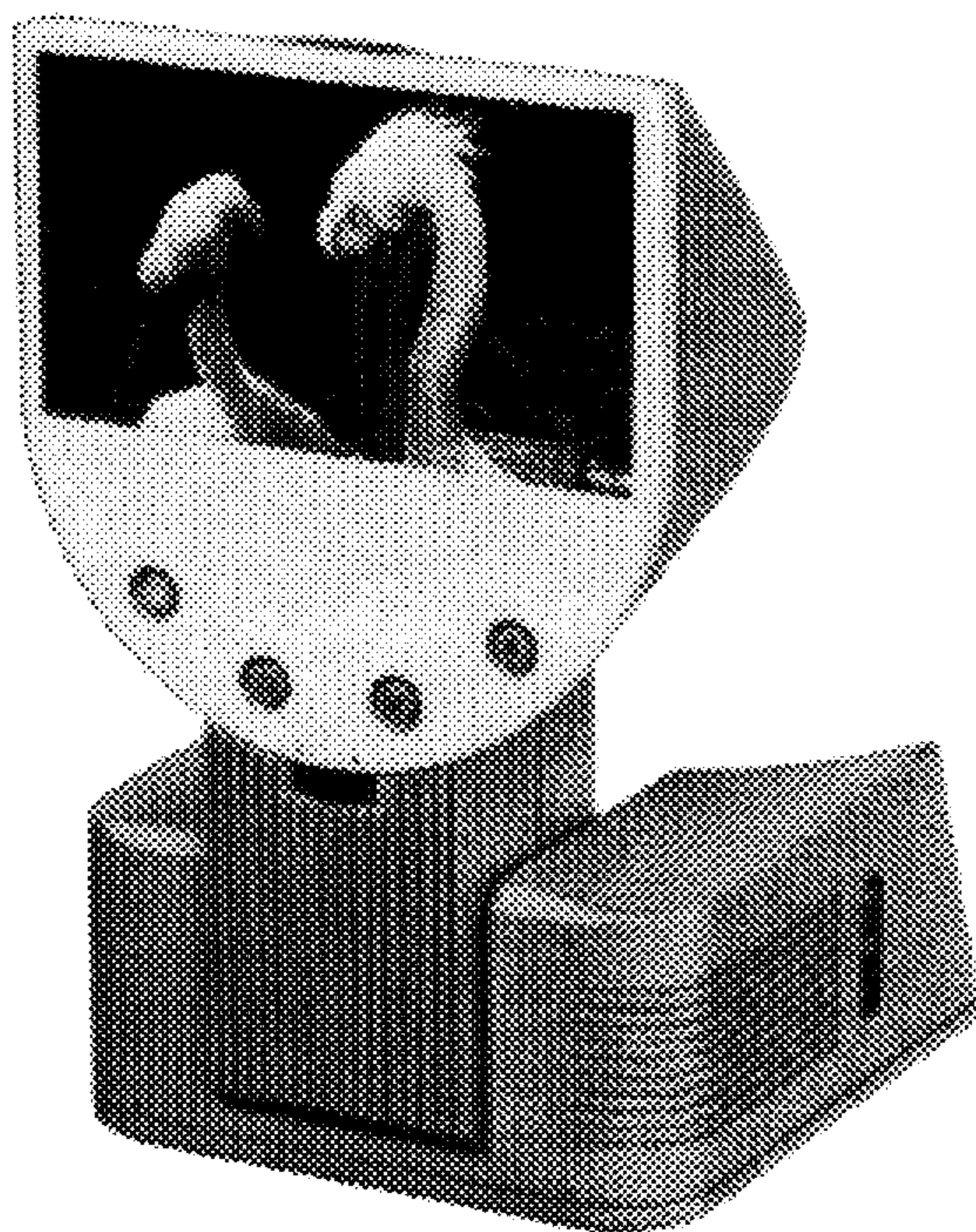


FIG. 9