



US00D391590S

United States Patent [19]

Sumita

[11] Patent Number: **Des. 391,590**

[45] Date of Patent: ****Mar. 3, 1998**

[54] **ELECTRONIC STILL CAMERA
INCORPORATING A MONITOR DISPLAY**

[75] Inventor: **Kaoru Sumita**, Tokyo, Japan

[73] Assignee: **Sony Corporation**, Tokyo, Japan

[**] Term: **14 Years**

[21] Appl. No.: **57,478**

[22] Filed: **Jul. 25, 1996**

[51] LOC (6) Cl. **16-01**

[52] U.S. Cl. **D16/202**

[58] Field of Search **D16/200-205,
D16/208, 209, 212, 213, 216-218; 348/373-376;
358/906, 902.1; 396/535-543; H04N 5/225**

[56] **References Cited**

U.S. PATENT DOCUMENTS

D. 349,110	7/1994	Ohno	D16/202
D. 369,818	5/1996	Ono	D16/202
D. 371,377	7/1996	Miyahara	D16/202
D. 372,925	8/1996	Choi	D16/202
5,565,919	10/1996	Wakabayashi et al.	348/373

FOREIGN PATENT DOCUMENTS

406225189 8/1994 Japan H04N 5/225

Primary Examiner—Philip S. Hyder
Assistant Examiner—Adir Aronovich
Attorney, Agent, or Firm—Foley & Lardner

[57] **CLAIM**

The ornamental design for an electronic still camera incorporating a monitor display, as shown and described.

DESCRIPTION

FIG. 1 is a perspective view of an electronic still camera incorporating a monitor display showing my new design; FIG. 2 is a perspective view thereof wherein the viewer portion is in the rotated position; FIG. 3 is a top plan view thereof; FIG. 4 is a left side elevational view thereof; FIG. 5 is a front elevational view thereof; FIG. 6 is a bottom plan view thereof; FIG. 7 is a right side elevational view thereof; and, FIG. 8 is a rear elevational view thereof.

1 Claim, 3 Drawing Sheets

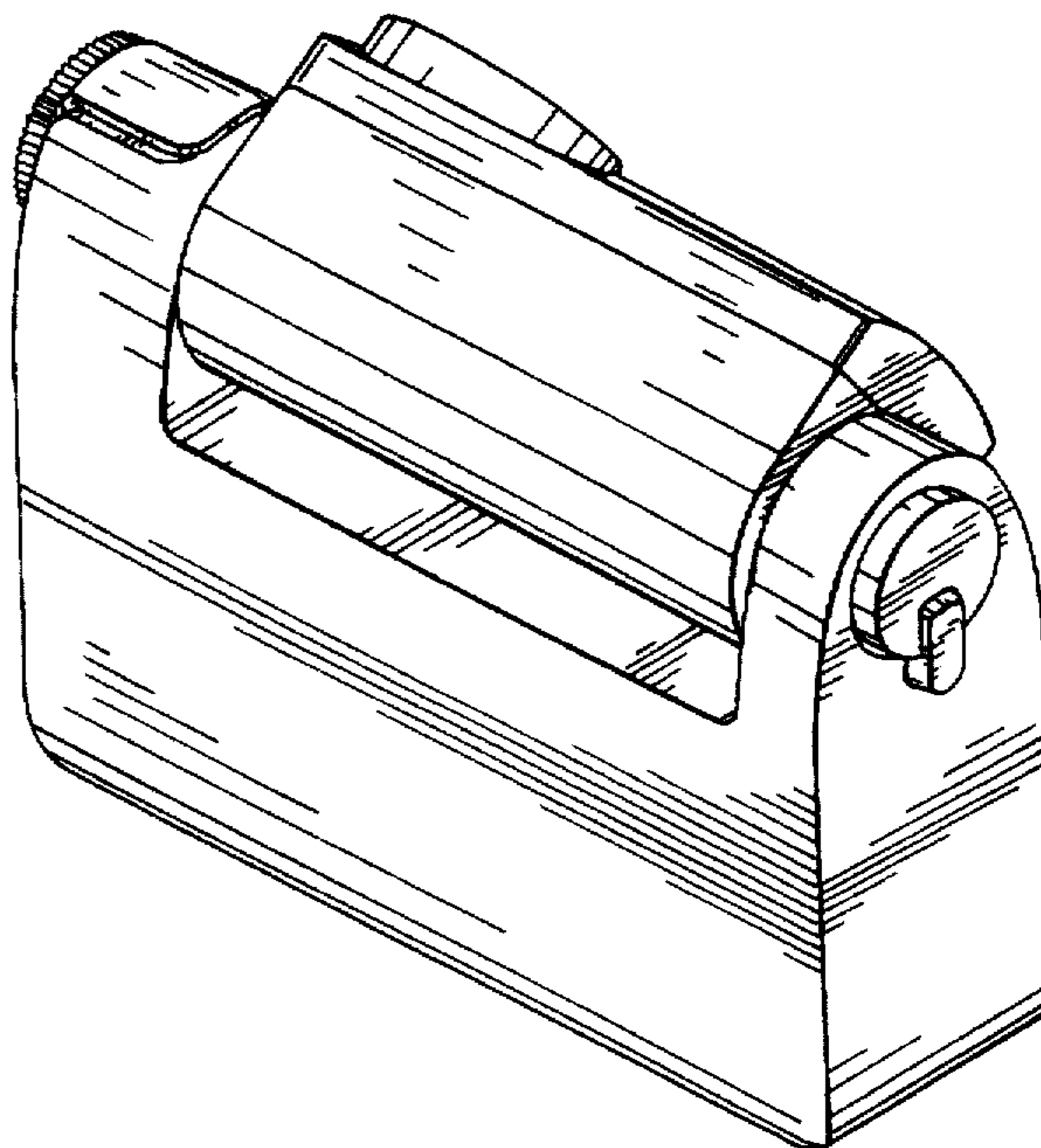
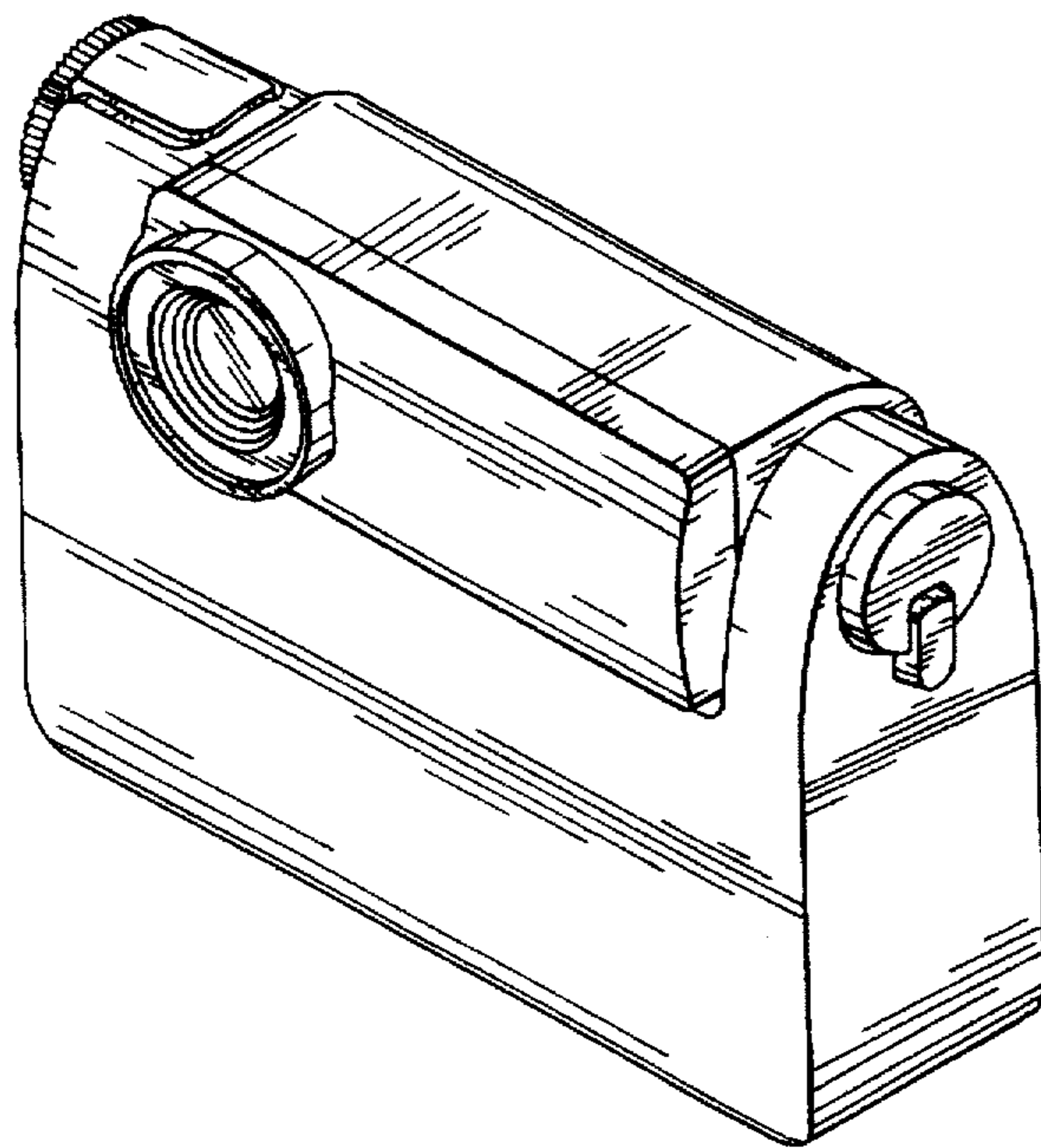


FIG. 2

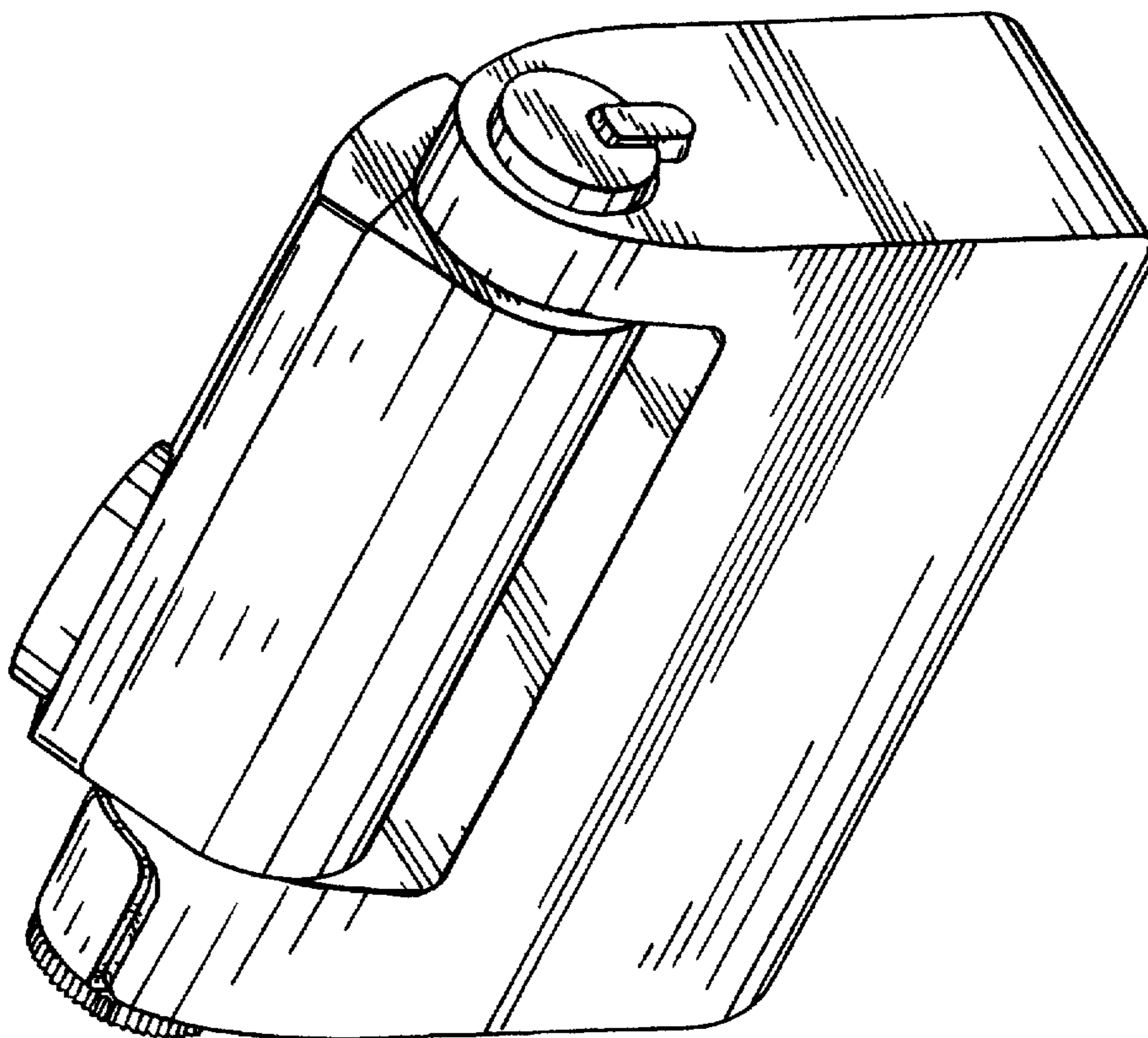


FIG. 1

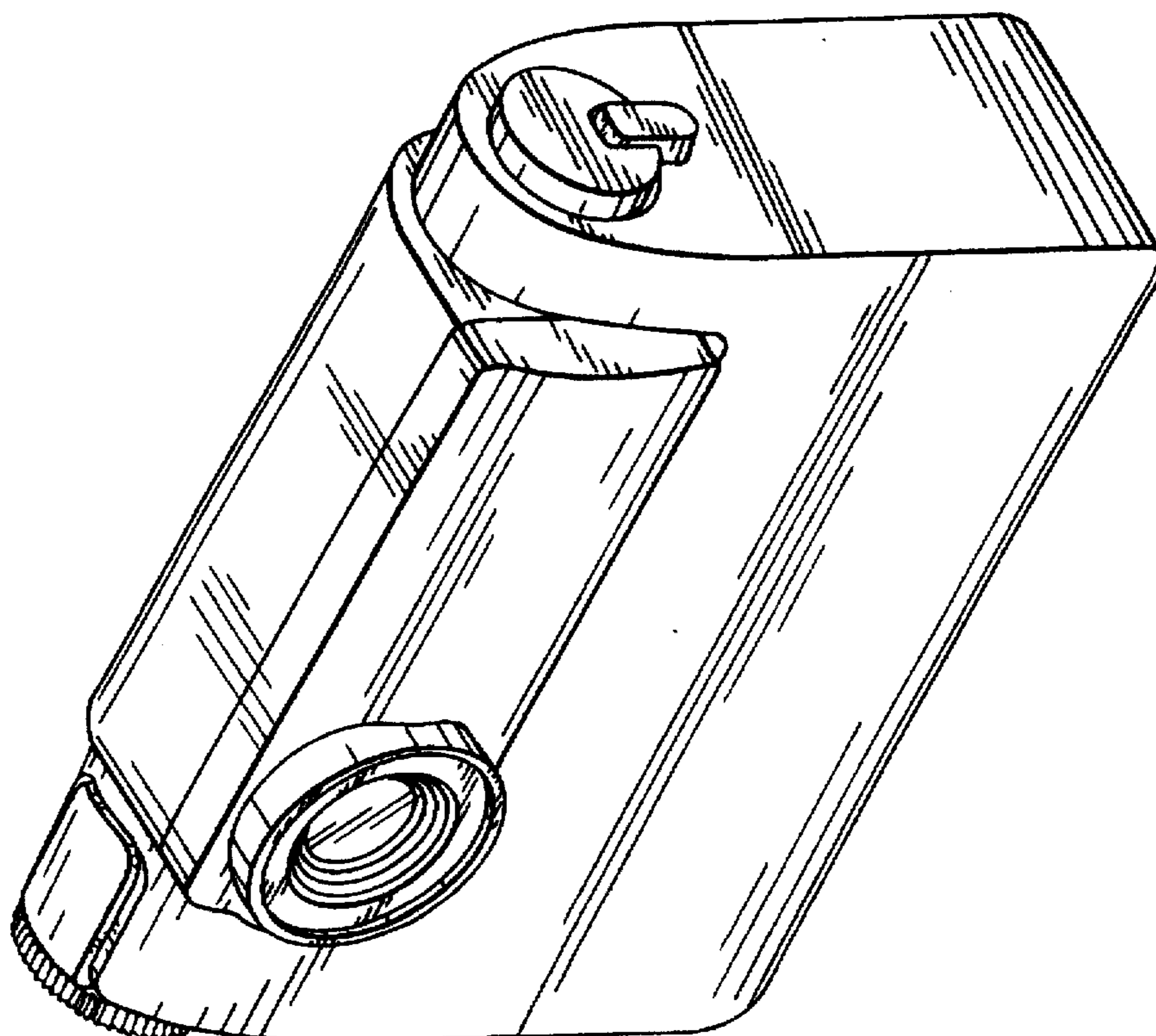


FIG. 3

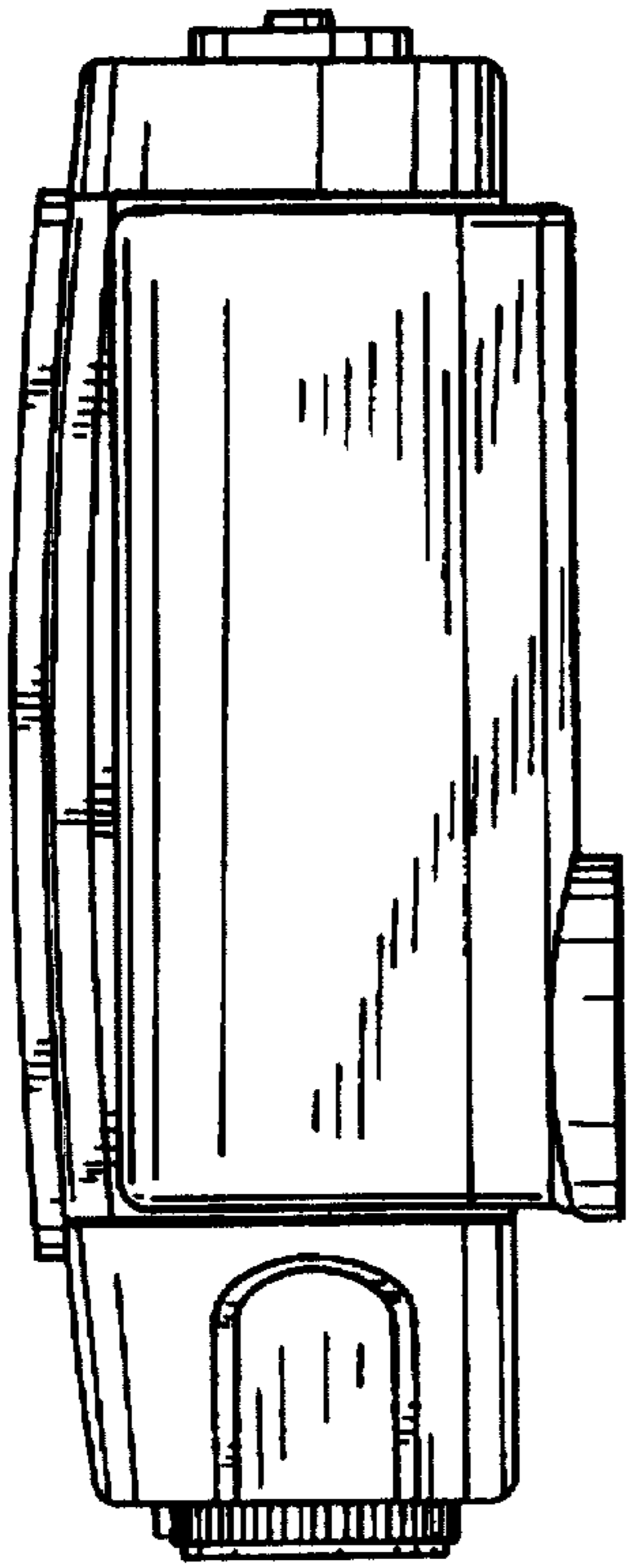


FIG. 5

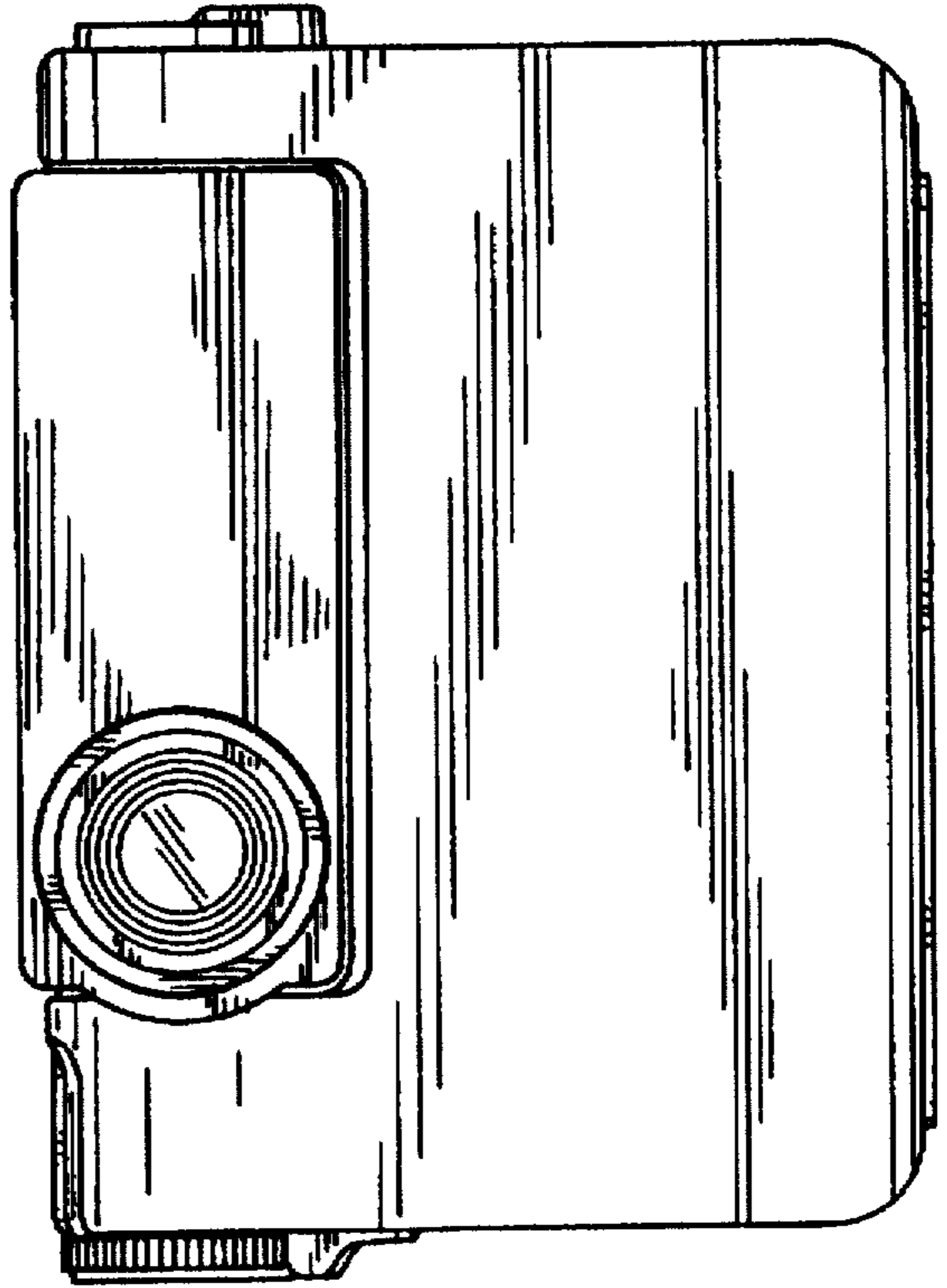


FIG. 4

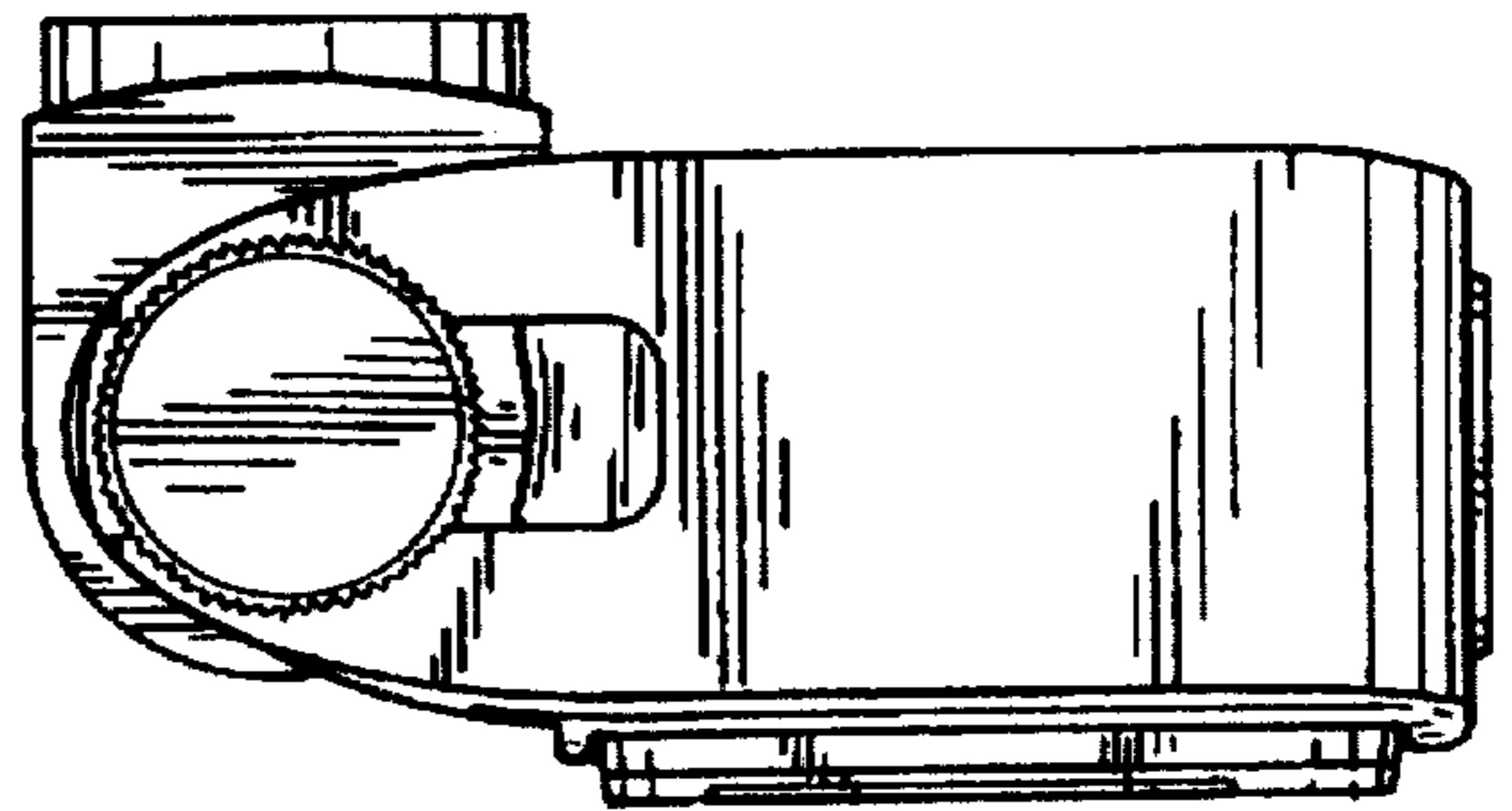


FIG. 6

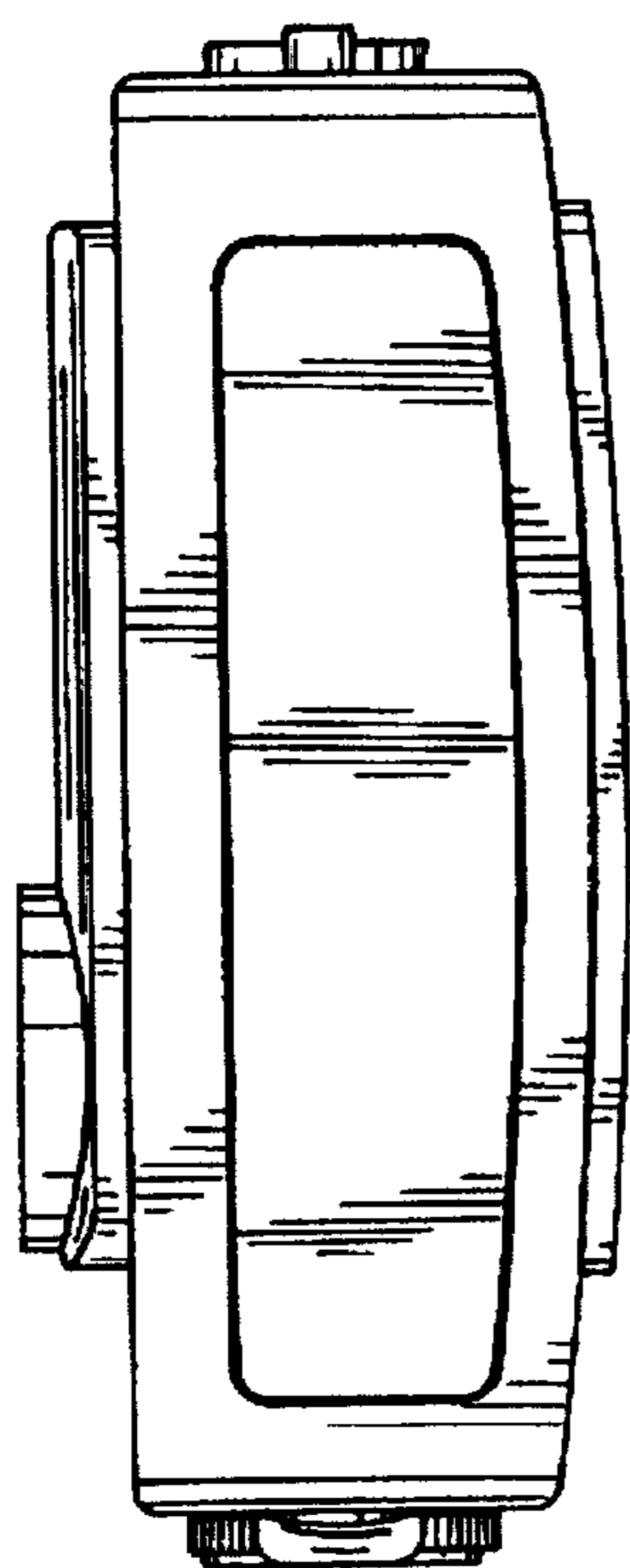


FIG. 8

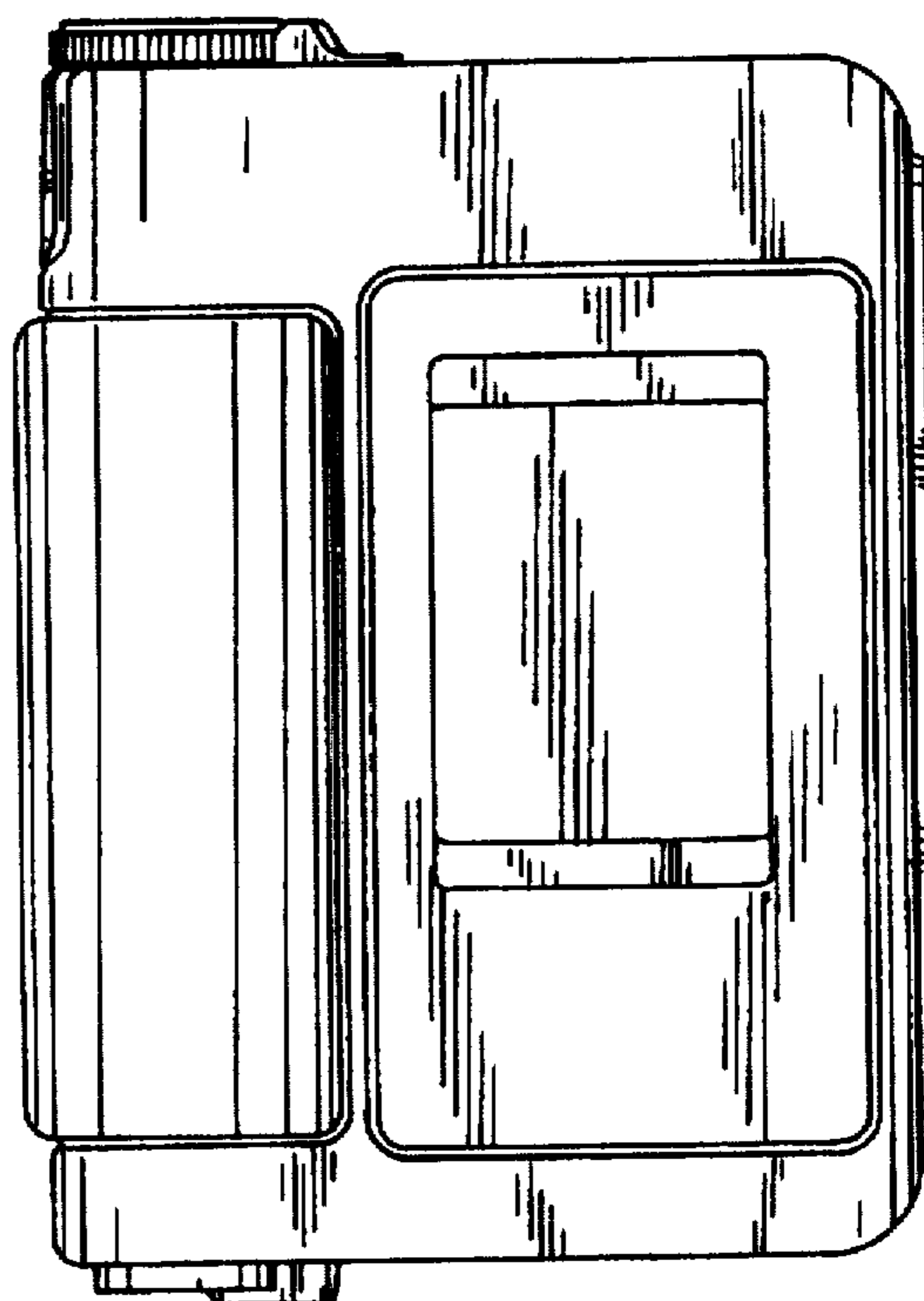


FIG. 7

