



US00D391588S

United States Patent [19]

Sumita

[11] Patent Number: **Des. 391,588**

[45] Date of Patent: ****Mar. 3, 1998**

[54] VIDEO CAMERA COMBINED WITH VIDEO TAPE RECORDER

[75] Inventor: **Kaoru Sumita**, Tokyo, Japan

[73] Assignee: **Sony Kabushiki Kaisha**, Tokyo, Japan

[**] Term: **14 Years**

[21] Appl. No.: **57,042**

[22] Filed: **Jul. 15, 1996**

[51] LOC (6) Cl. **16-01**

[52] U.S. Cl. **D16/202**

[58] Field of Search **D16/200-206, D16/208; 348/373-376; 352/242, 243; 396/535-543**

[56] References Cited

U.S. PATENT DOCUMENTS

D. 305,903	2/1990	Sumita	D16/202
D. 332,958	2/1993	Urushihara et al.	D16/202
D. 337,340	7/1993	Tanaka	D16/202
D. 376,166	12/1996	Ishii	D16/202
5,294,988	3/1994	Wakabayashi et al.	348/373

OTHER PUBLICATIONS

Video Magazine, Jul. 1992 p. 64 (Cannon UC1).

Primary Examiner—Ted Shooman

Assistant Examiner—Adir Aronovich

Attorney, Agent, or Firm—Morgan & Finnegan LLP

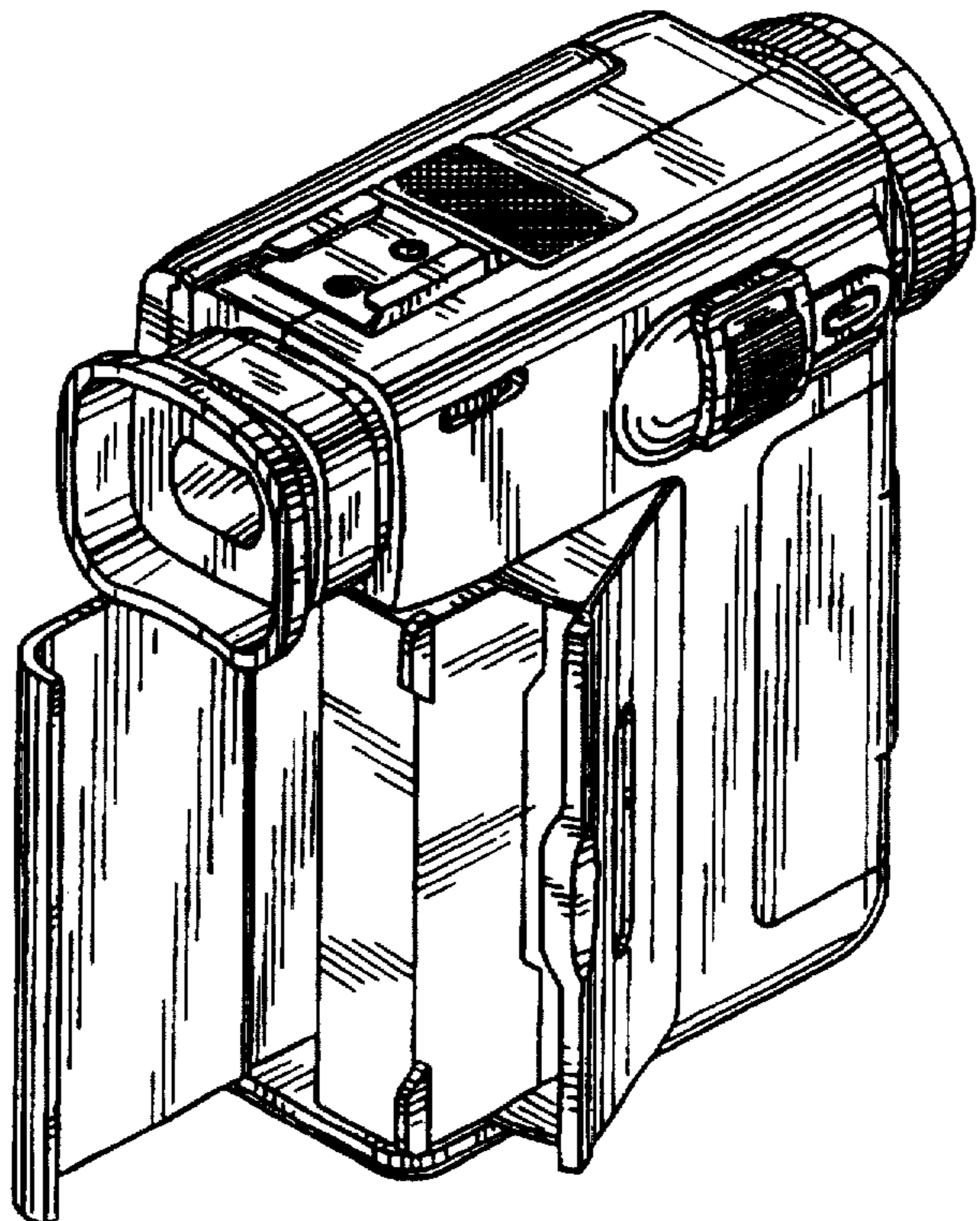
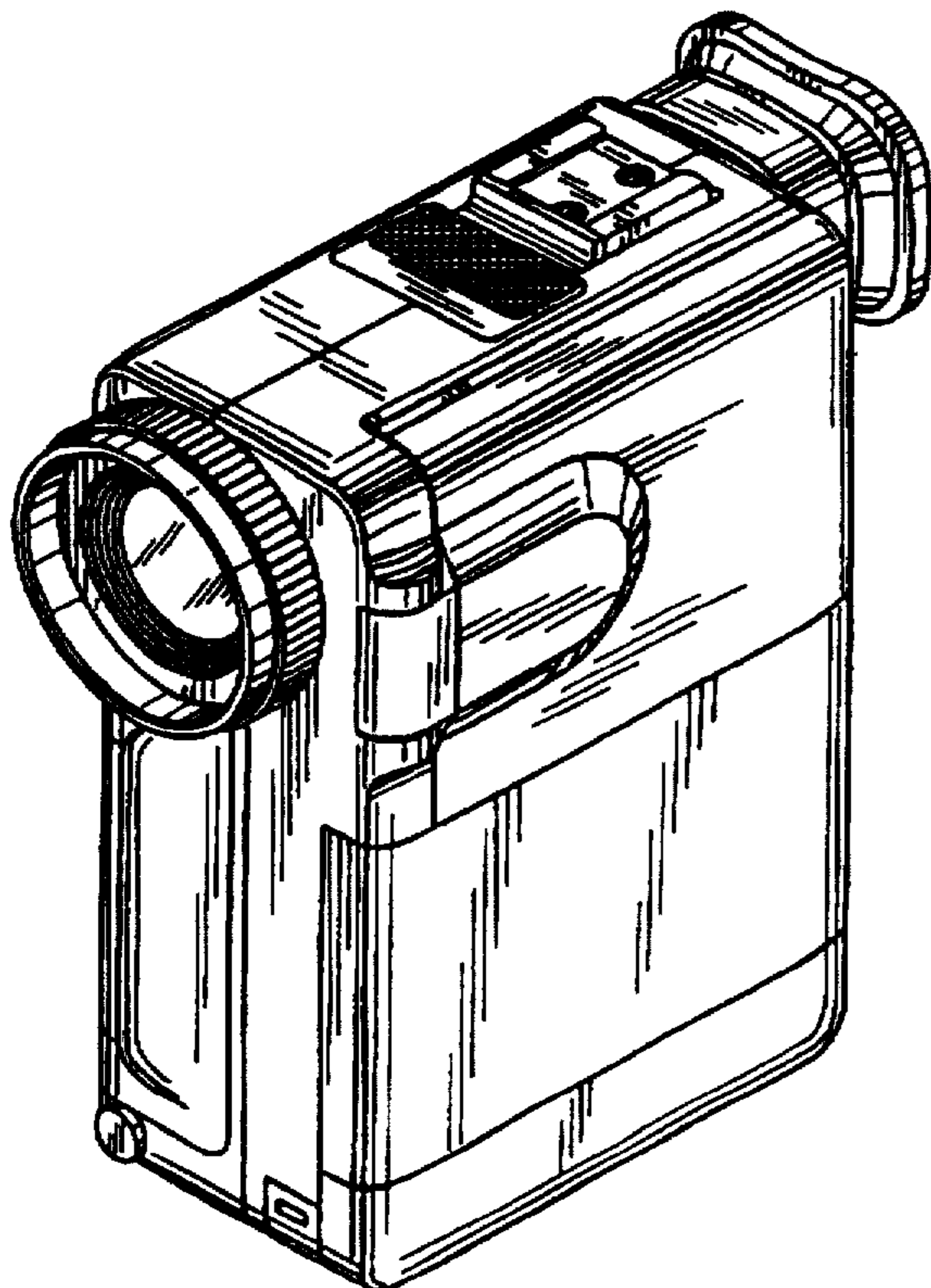
[57] CLAIM

The ornamental design for a video camera combined with video tape recorder, as shown and described.

DESCRIPTION

FIG. 1 is a front, top and right side perspective view of a video camera combined with video tape recorder showing my new design, the video camera being in a closed position; FIG. 2 is a rear, top and left side perspective view thereof, the video camera being in an open position; FIG. 3 is a rear, top and right side perspective view thereof, the video camera being in a first open operational condition; FIG. 4 is a rear, top and right side perspective view thereof, the video camera being in a second open operational condition; FIG. 5 is a rear, top and right side perspective view thereof, the video camera being in a third open operational condition; FIG. 6 is a rear, top and right side perspective view thereof, the video camera being in a fourth operational condition; FIG. 7 is a front elevation view of the video camera combined with video tape recorder of FIG. 1. FIG. 8 is a left-side elevation view of the video camera combined with video tape recorder of FIG. 1. FIG. 9 is a right-side elevation view of the video camera combined with video tape recorder of FIG. 1. FIG. 10 is a rear elevation view of the video camera combined with video tape recorder of FIG. 1. FIG. 11 is a top plan view of the video camera combined with video tape recorder of FIG. 1; and, FIG. 12 is a bottom plan view of the video camera combined with video tape recorder of FIG. 1.

1 Claim, 5 Drawing Sheets



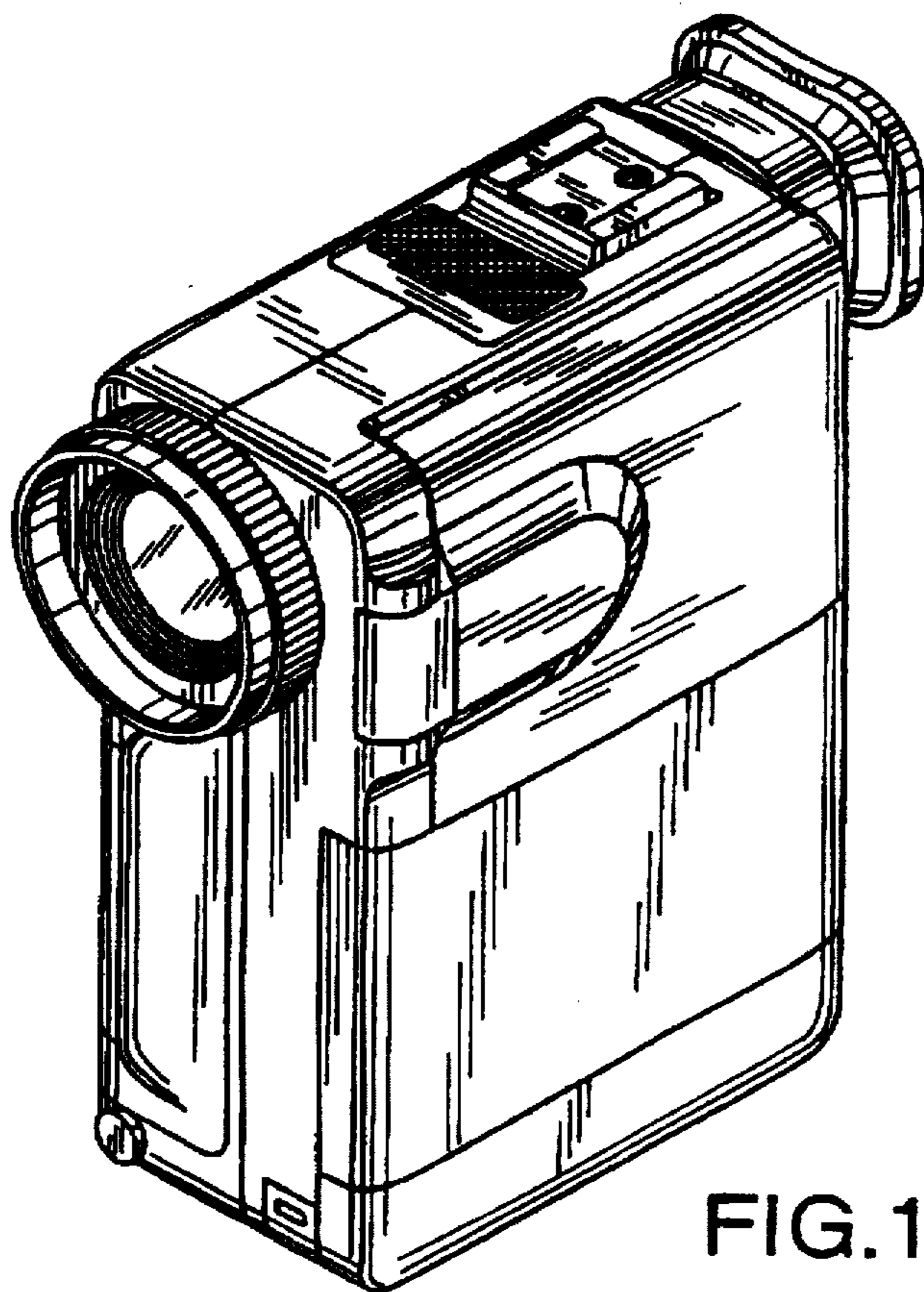


FIG. 1

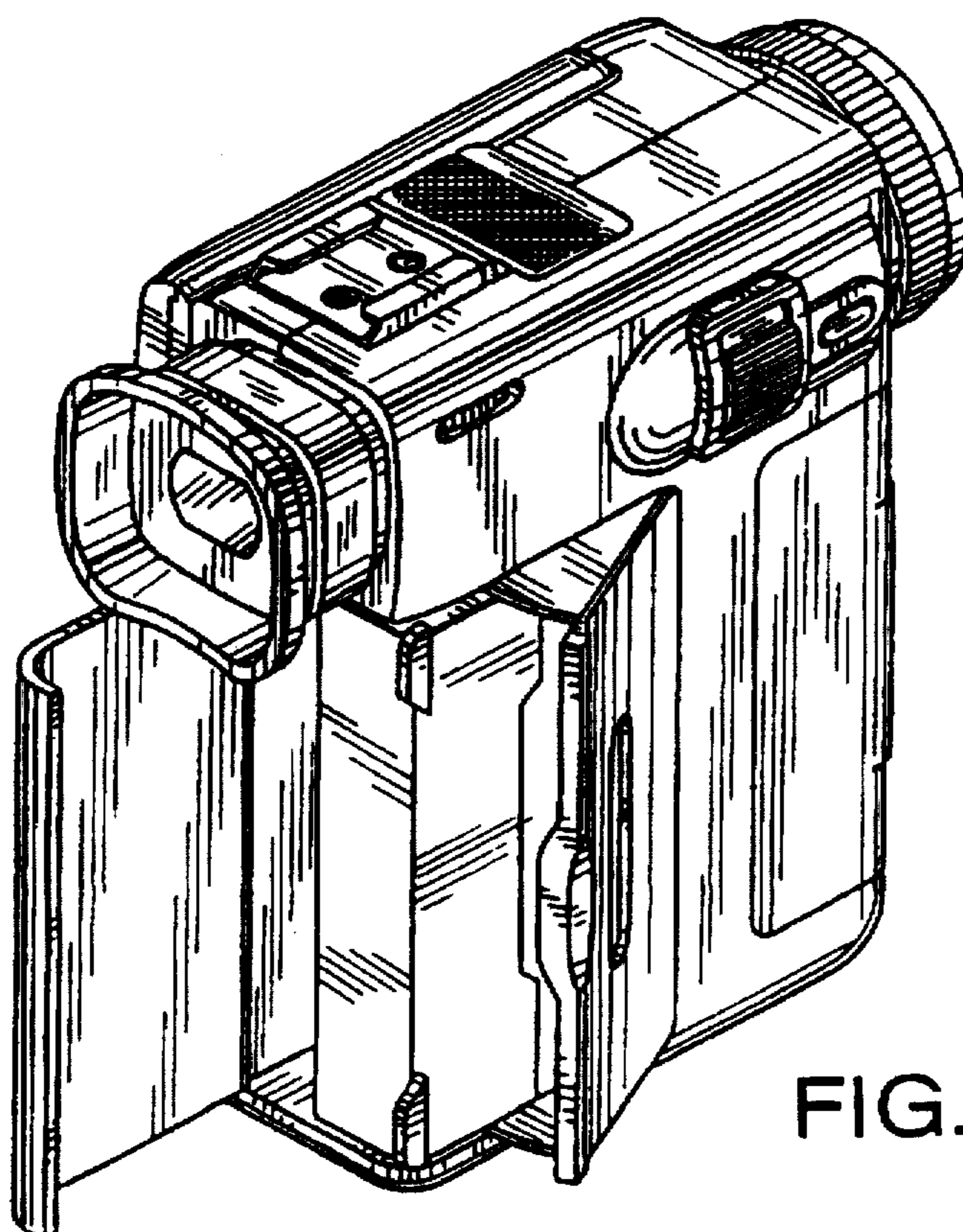


FIG. 2

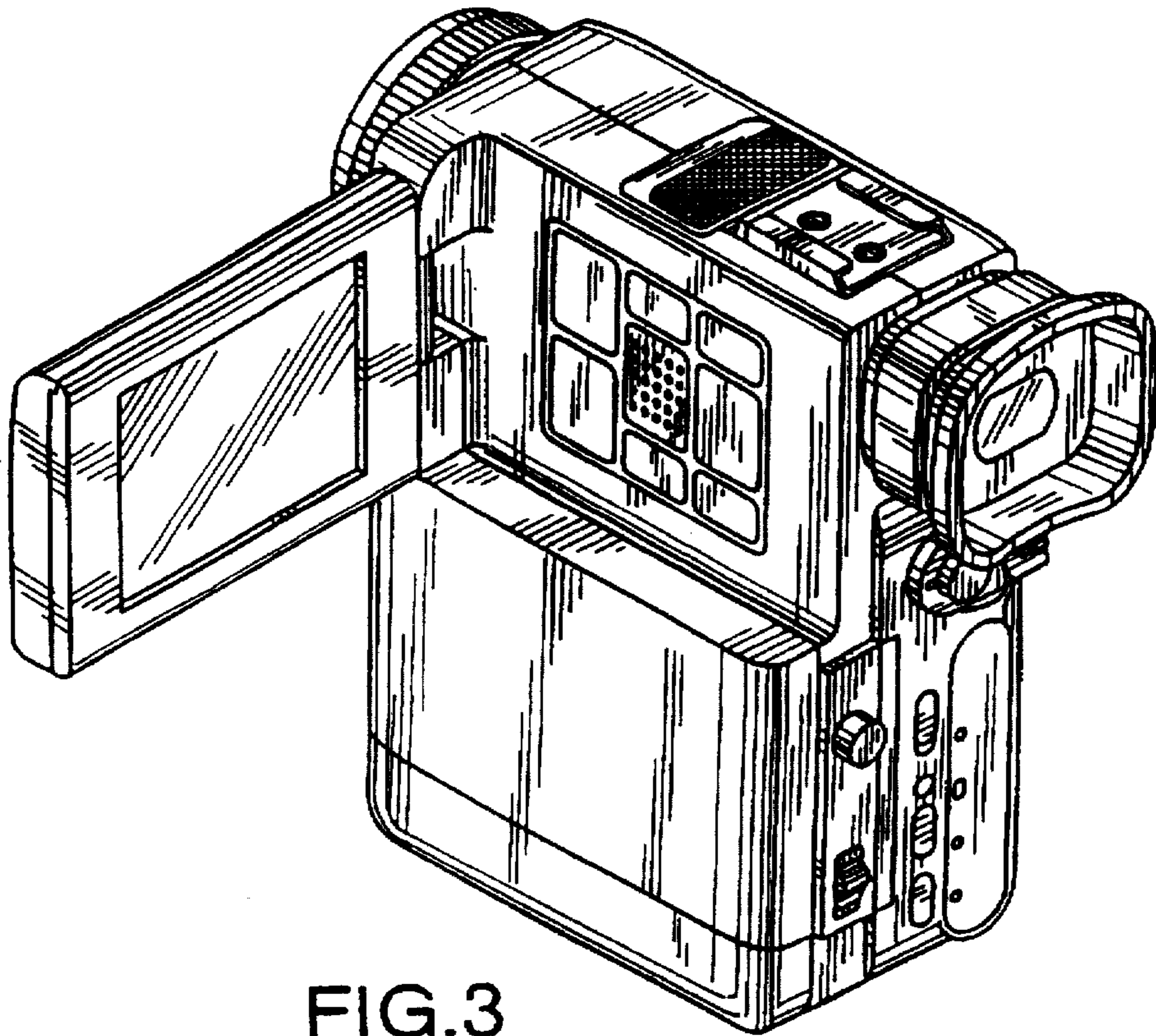


FIG. 3

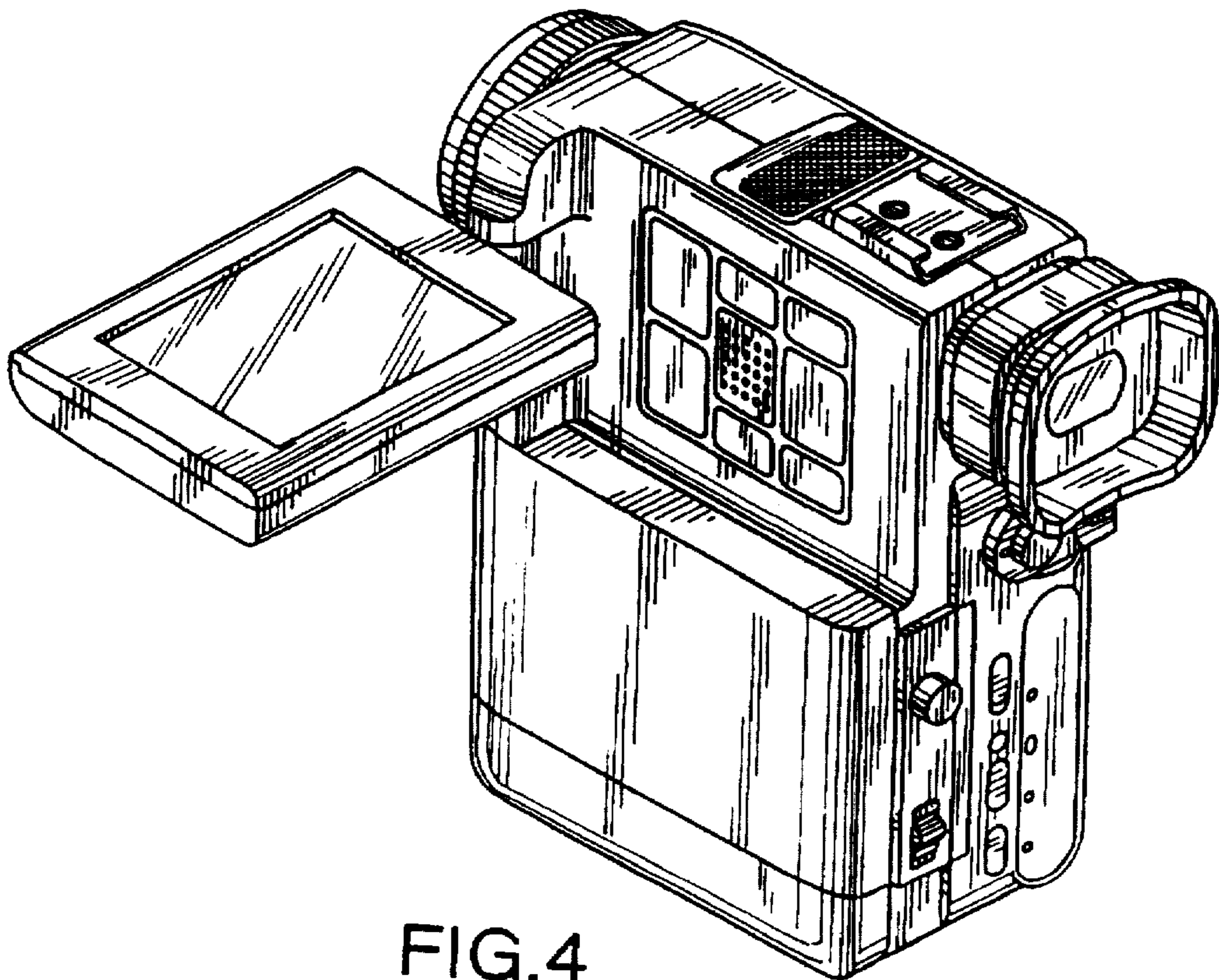


FIG. 4

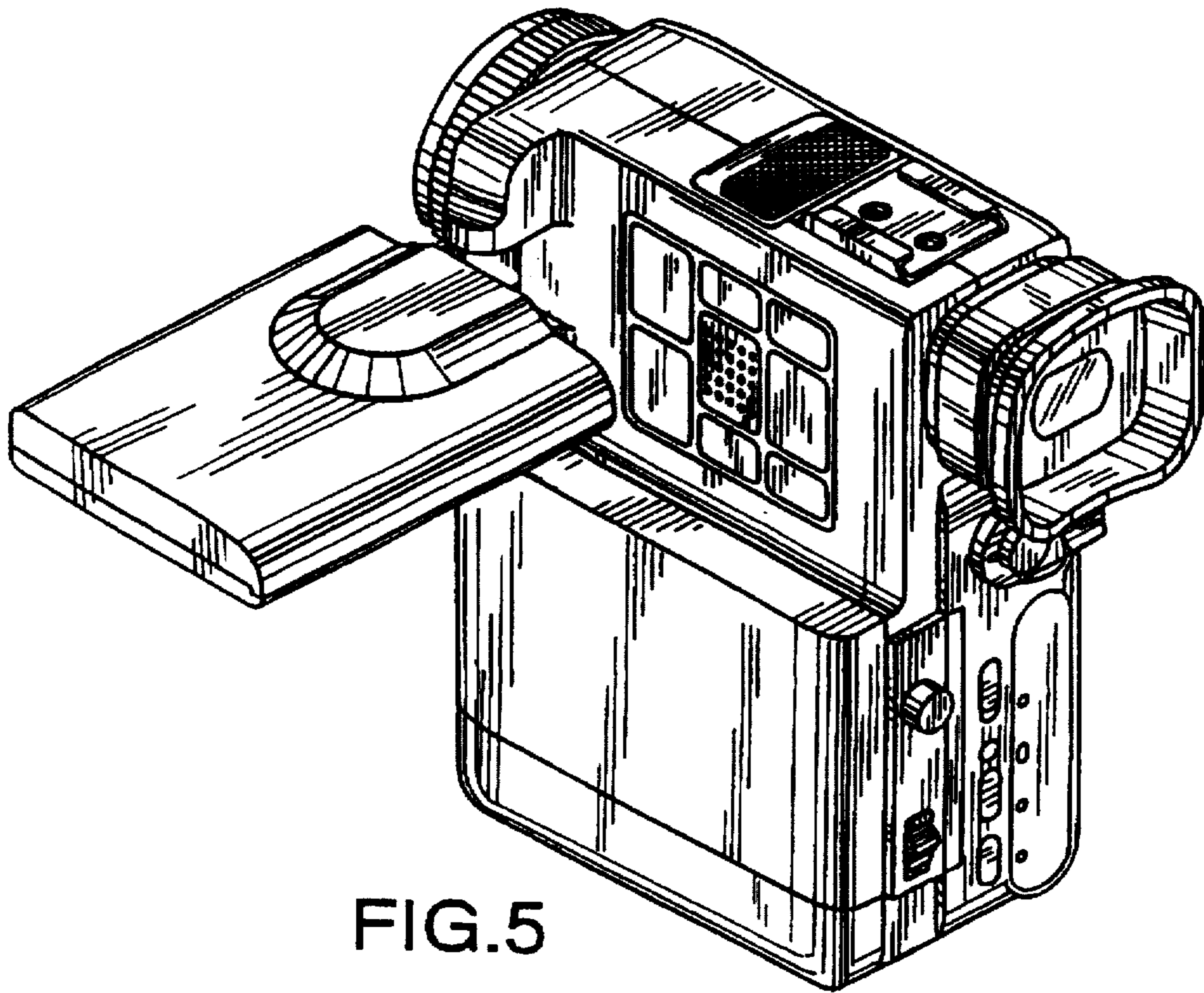


FIG. 5

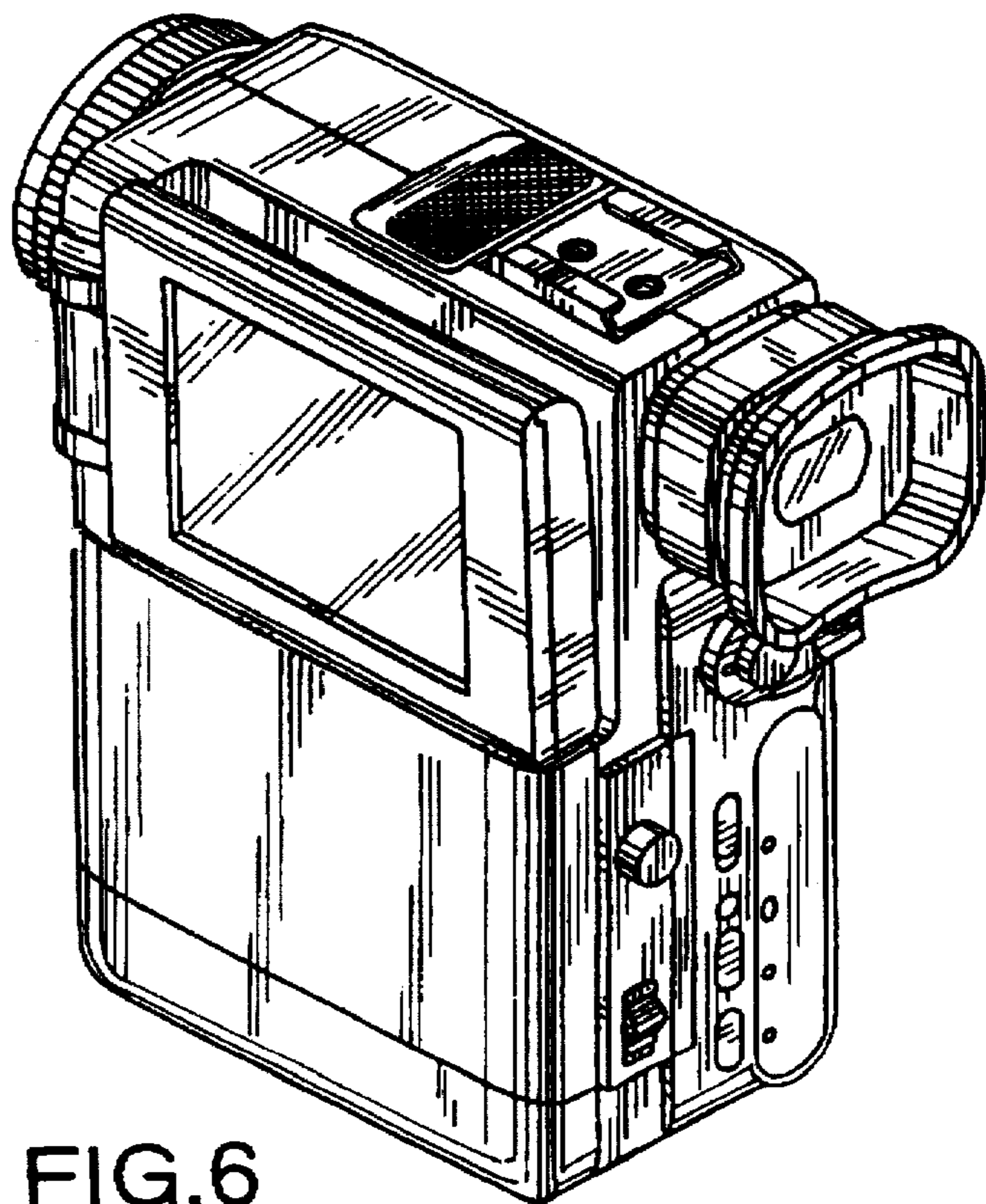


FIG. 6

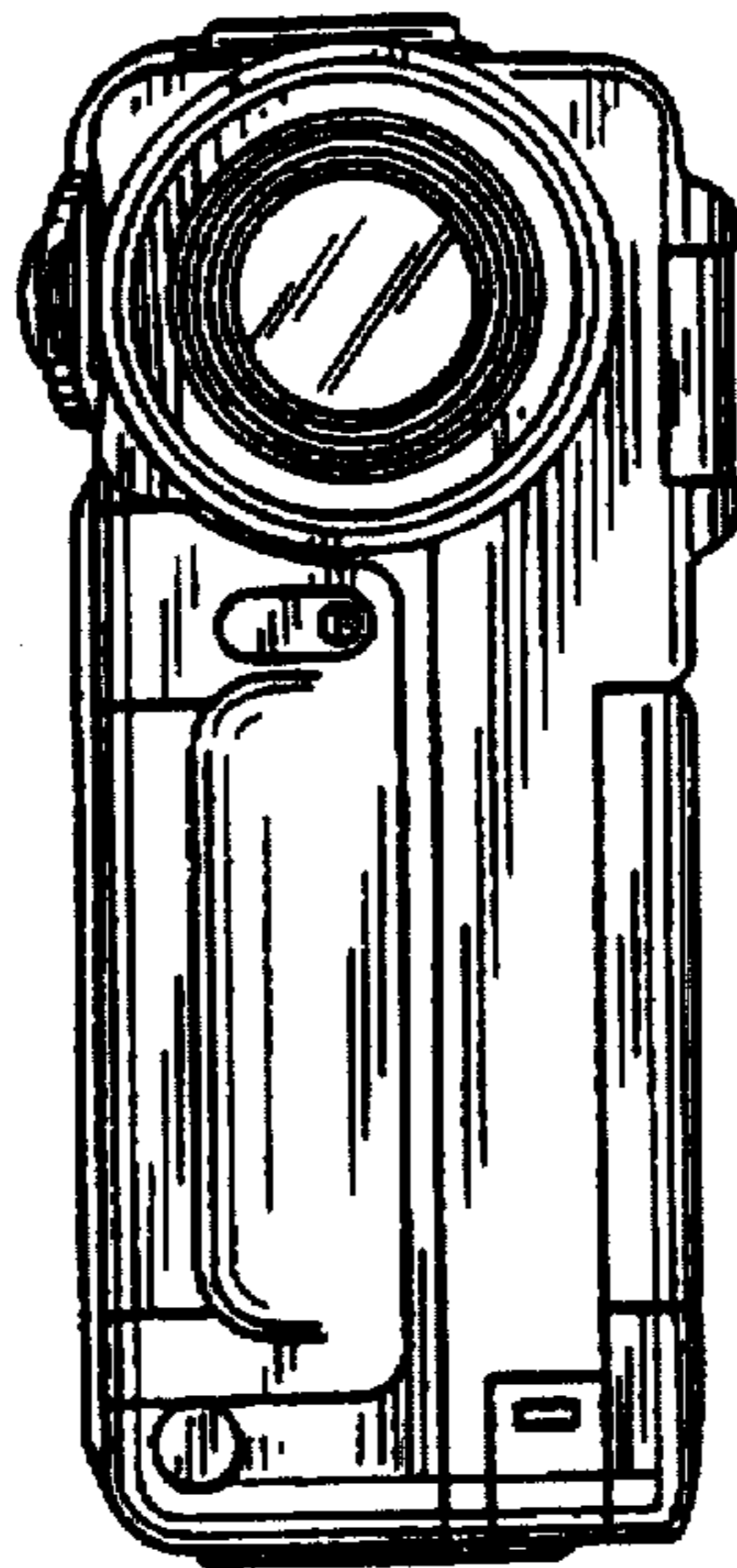


FIG. 7

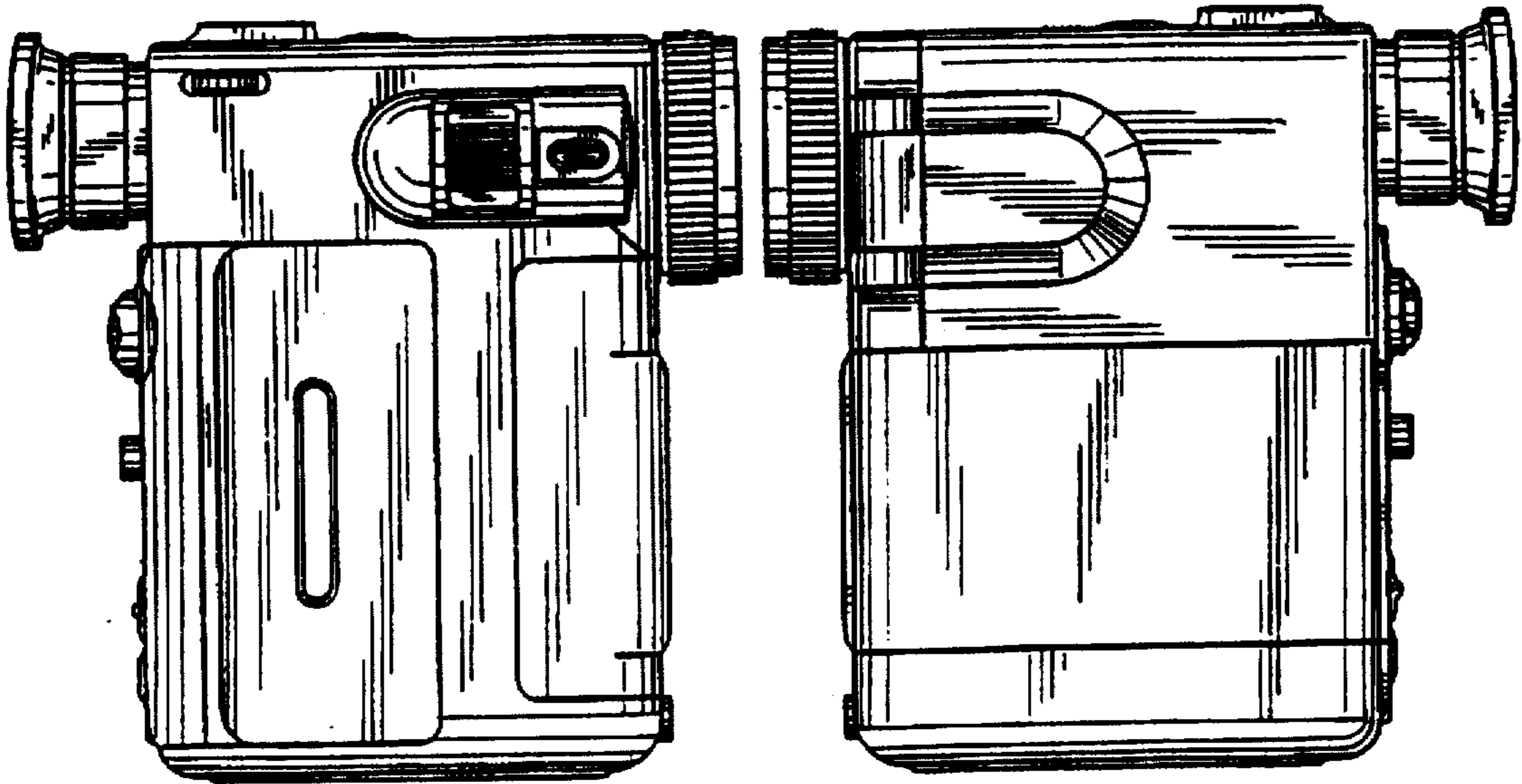


FIG. 8

FIG. 9

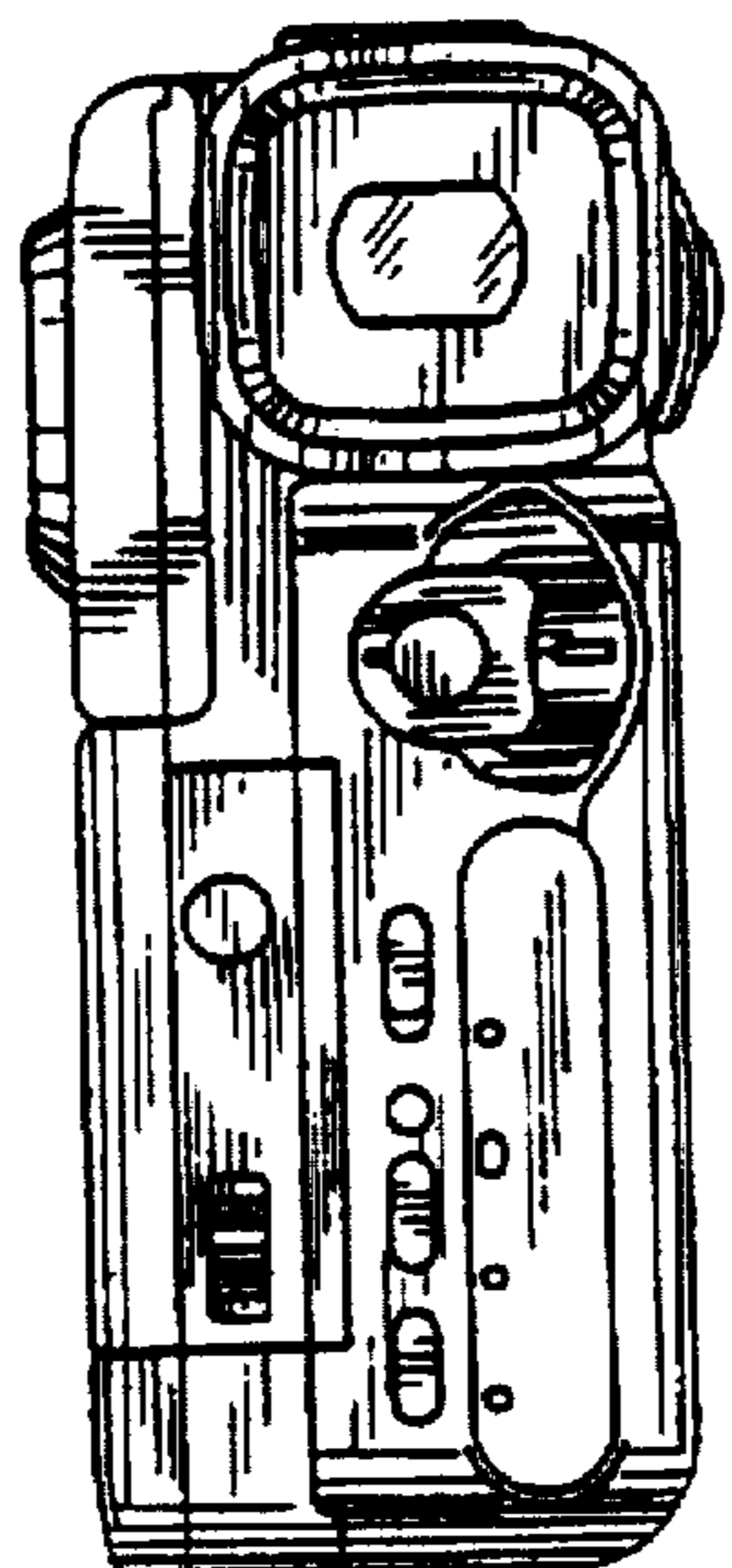


FIG. 10

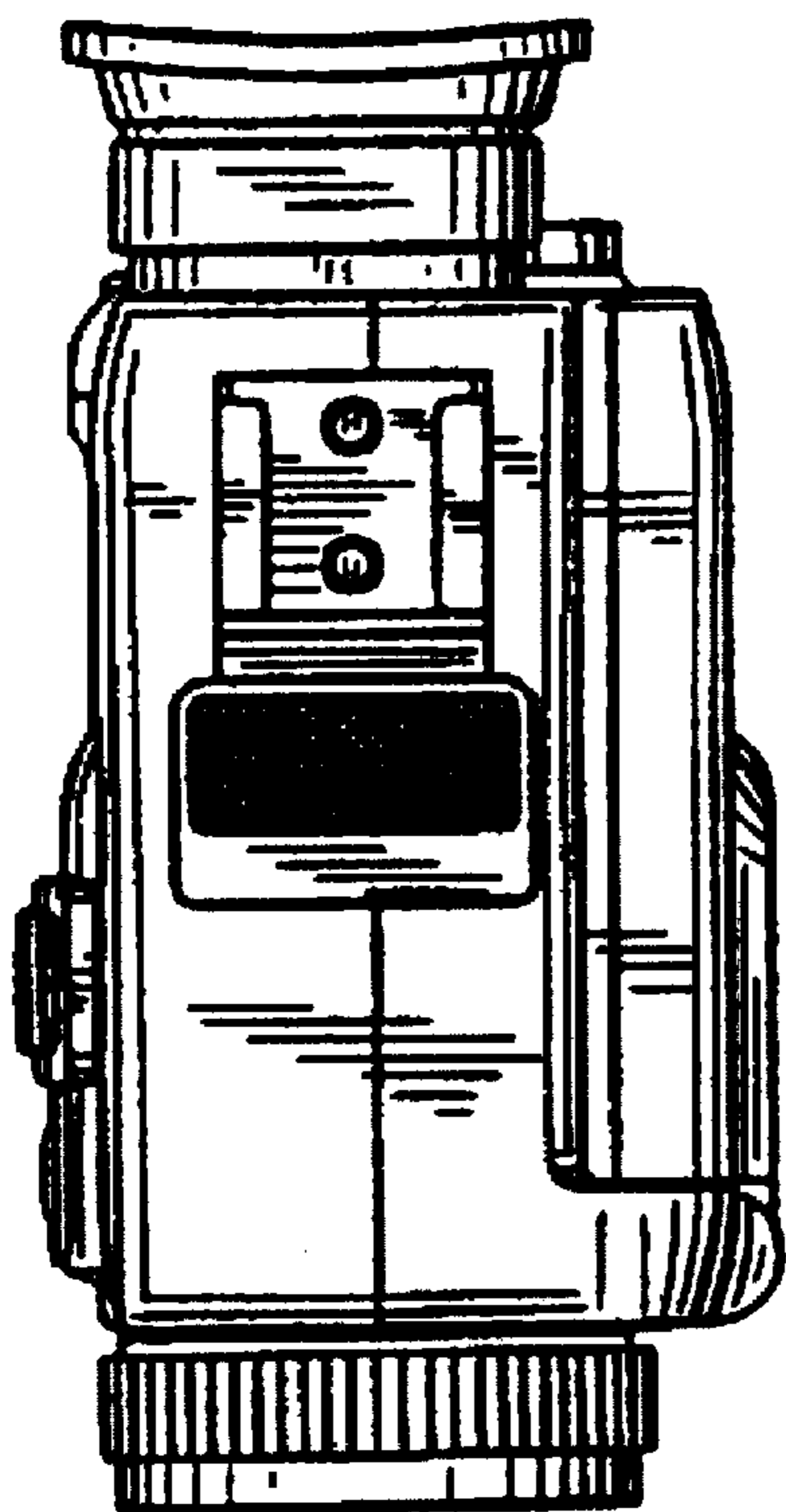


FIG. 11

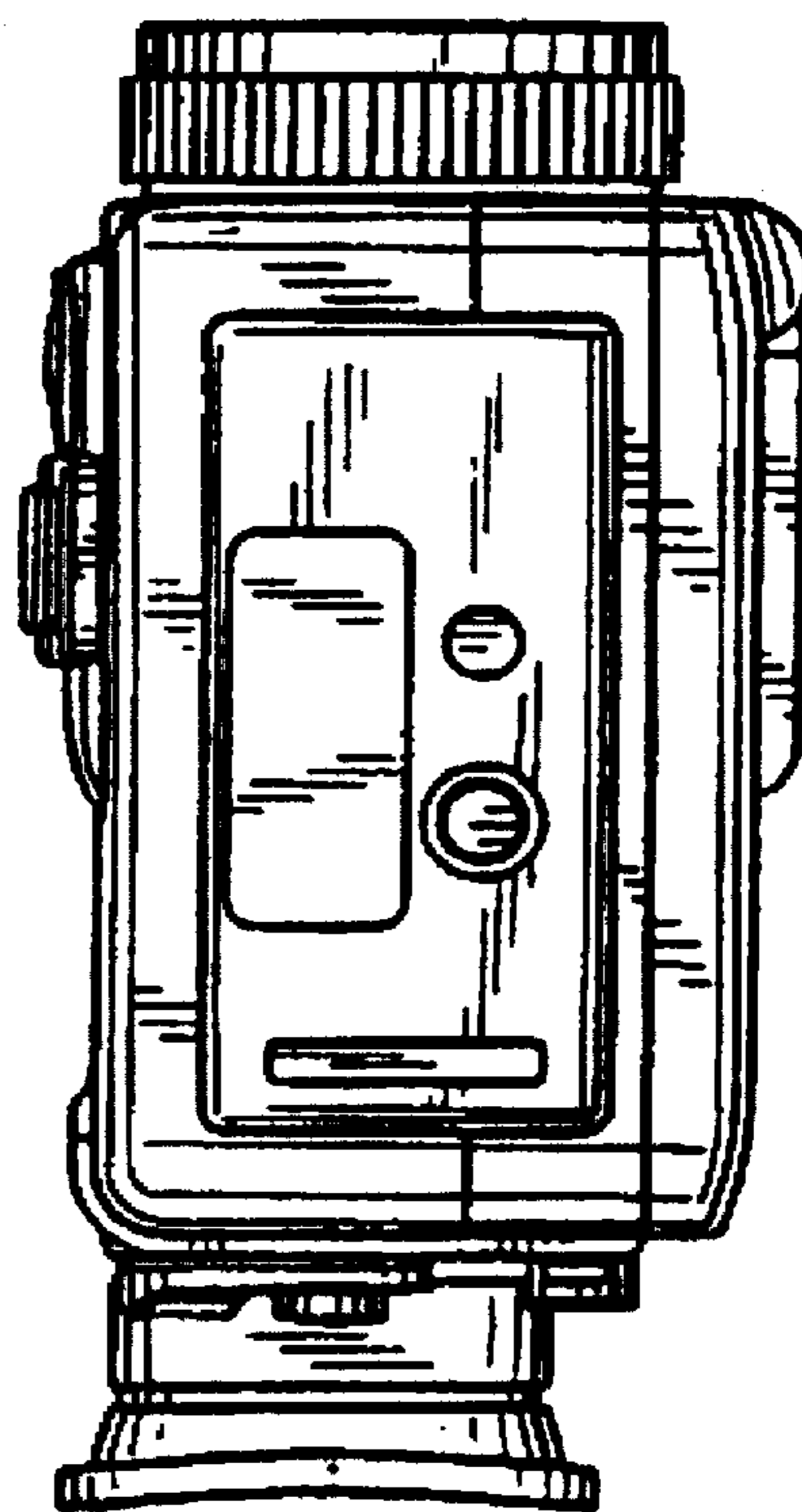


FIG. 12