



US00D391587S

# United States Patent [19]

Hashimoto

[11] Patent Number: **Des. 391,587**

[45] Date of Patent: **\*\*Mar. 3, 1998**

[54] **MICROSCOPE**

3,687,520 8/1972 Nothnagle et al. .... 359/393 X  
4,449,795 5/1984 Yamada ..... 359/393 X

[75] Inventor: **Nobuo Hashimoto, Kawasaki, Japan**

### OTHER PUBLICATIONS

[73] Assignee: **Nikon Corporation, Tokyo, Japan**

Cole Parmer Catalog, 1985-1986, p. 287, see item C heavy-duty stereo microscope.

[\*\*] Term: **14 Years**

*Primary Examiner*—B. J. Bullock  
*Assistant Examiner*—Stacia Sinuik  
*Attorney, Agent, or Firm*—Oliff & Berridge

[21] Appl. No.: **40,276**

[22] Filed: **Jun. 14, 1995**

### [57] CLAIM

[51] **LOC (6) Cl.** ..... **16-06**

[52] **U.S. Cl.** ..... **D16/131**

[58] **Field of Search** ..... **D16/130-131,**  
**D16/134-135; 359/385, 376-378, 390,**  
**801, 368, 381, 388, 393**

The ornamental design for a microscope, as shown and described.

### DESCRIPTION

### [56] References Cited

#### U.S. PATENT DOCUMENTS

D. 193,214	7/1962	Preble	.....	D16/131
D. 330,719	11/1992	Ishibashi	.....	D16/131
D. 340,251	10/1993	Frenkler et al.	.....	D16/131
D. 340,252	10/1993	Frenkler et al.	.....	D16/131
D. 355,430	2/1995	Hofmann-Igl	.....	D16/131
2,967,456	1/1961	Maier	.....	D16/131 X
3,637,283	1/1972	Tasaki et al.	.....	359/393 X

FIG. 1 is a front elevational view of a microscope showing the design;

FIG. 2 is a rear elevational view thereof;

FIG. 3 is a left side elevational view thereof;

FIG. 4 is a right side elevational view thereof;

FIG. 5 is a top plan view thereof;

FIG. 6 is a bottom plan view thereof; and,

FIG. 7 is a front perspective view thereof.

**1 Claim, 5 Drawing Sheets**

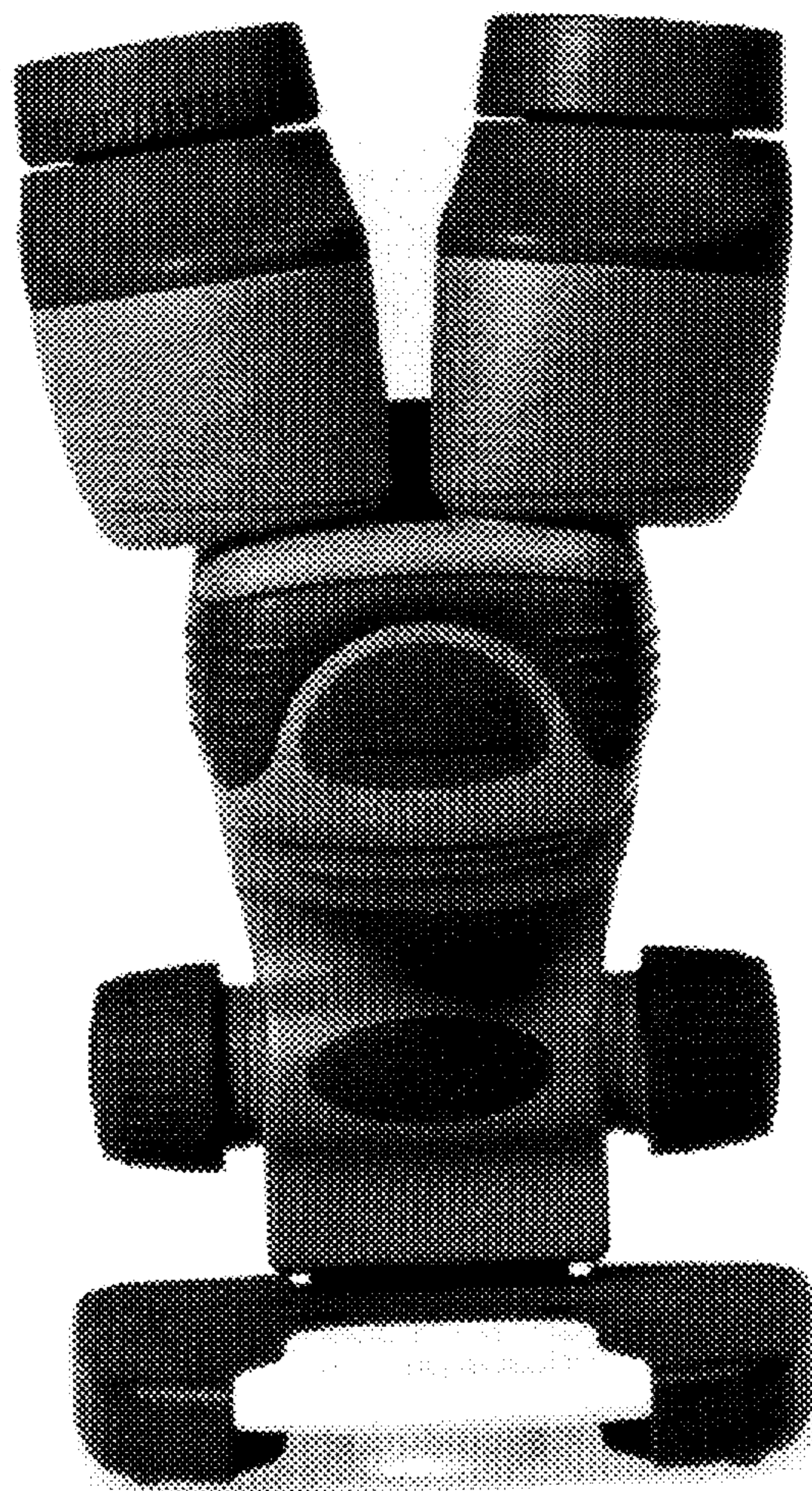


FIG. 1



FIG. 2

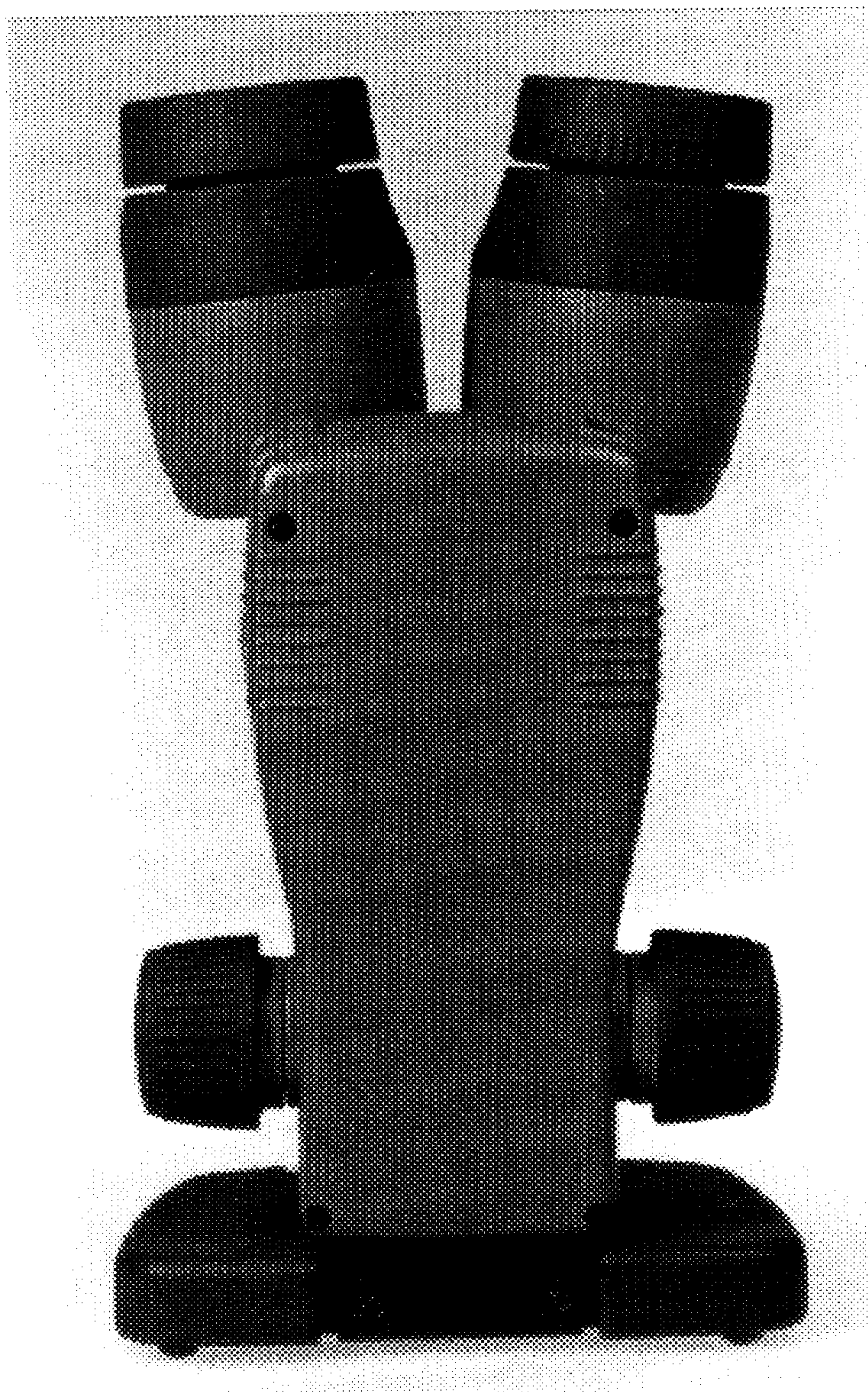


FIG.3

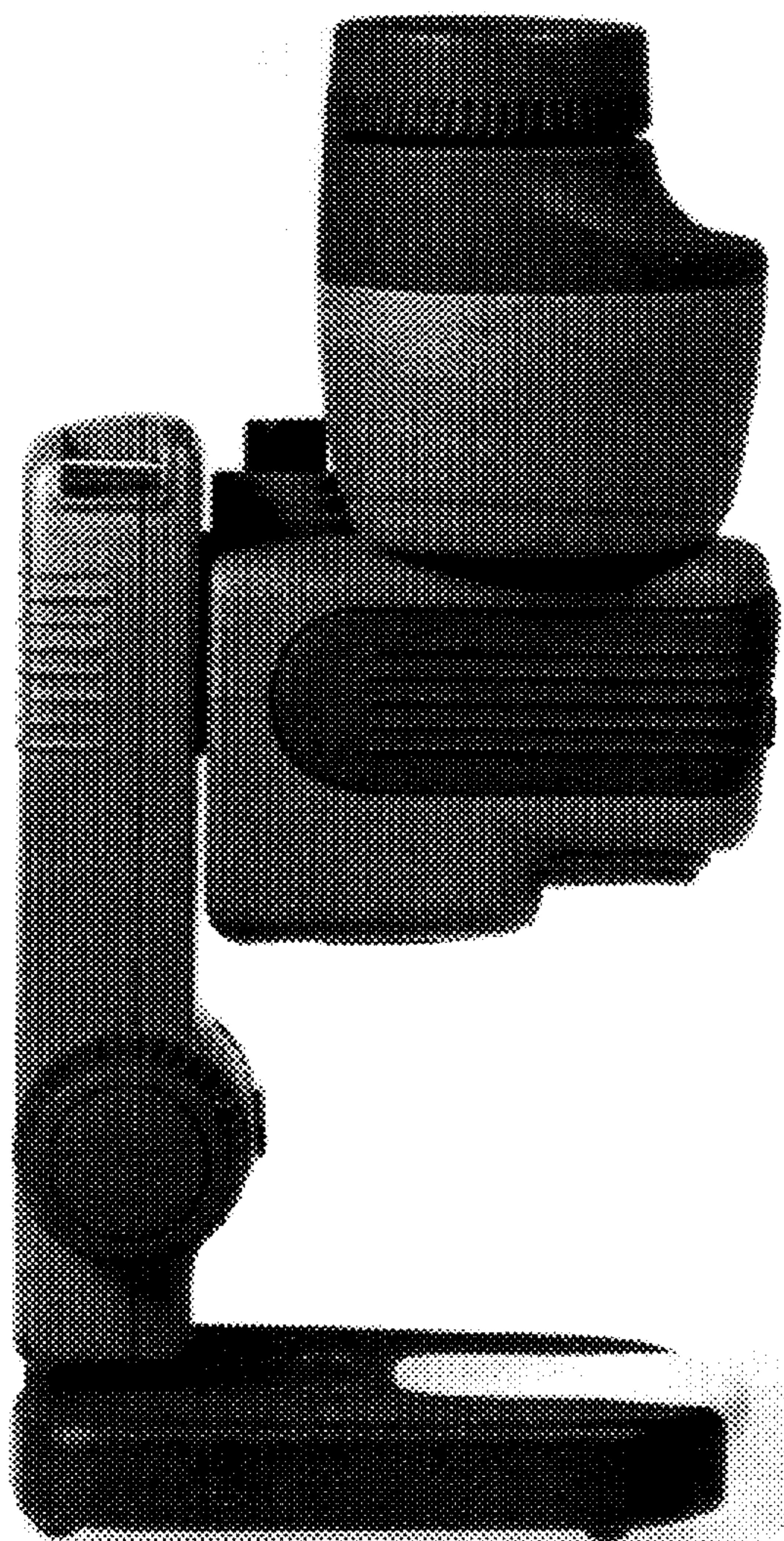


FIG.4

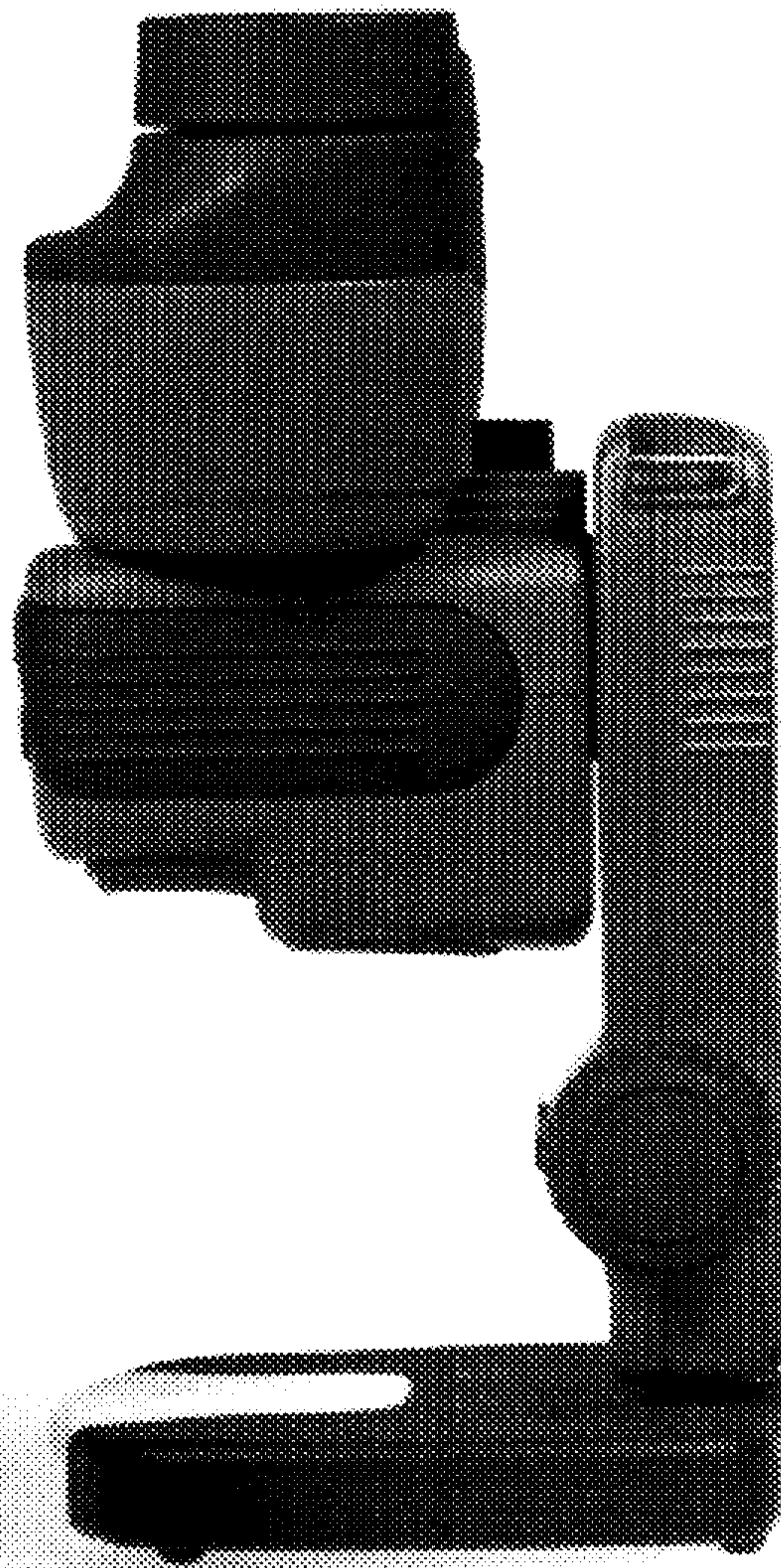


FIG. 5

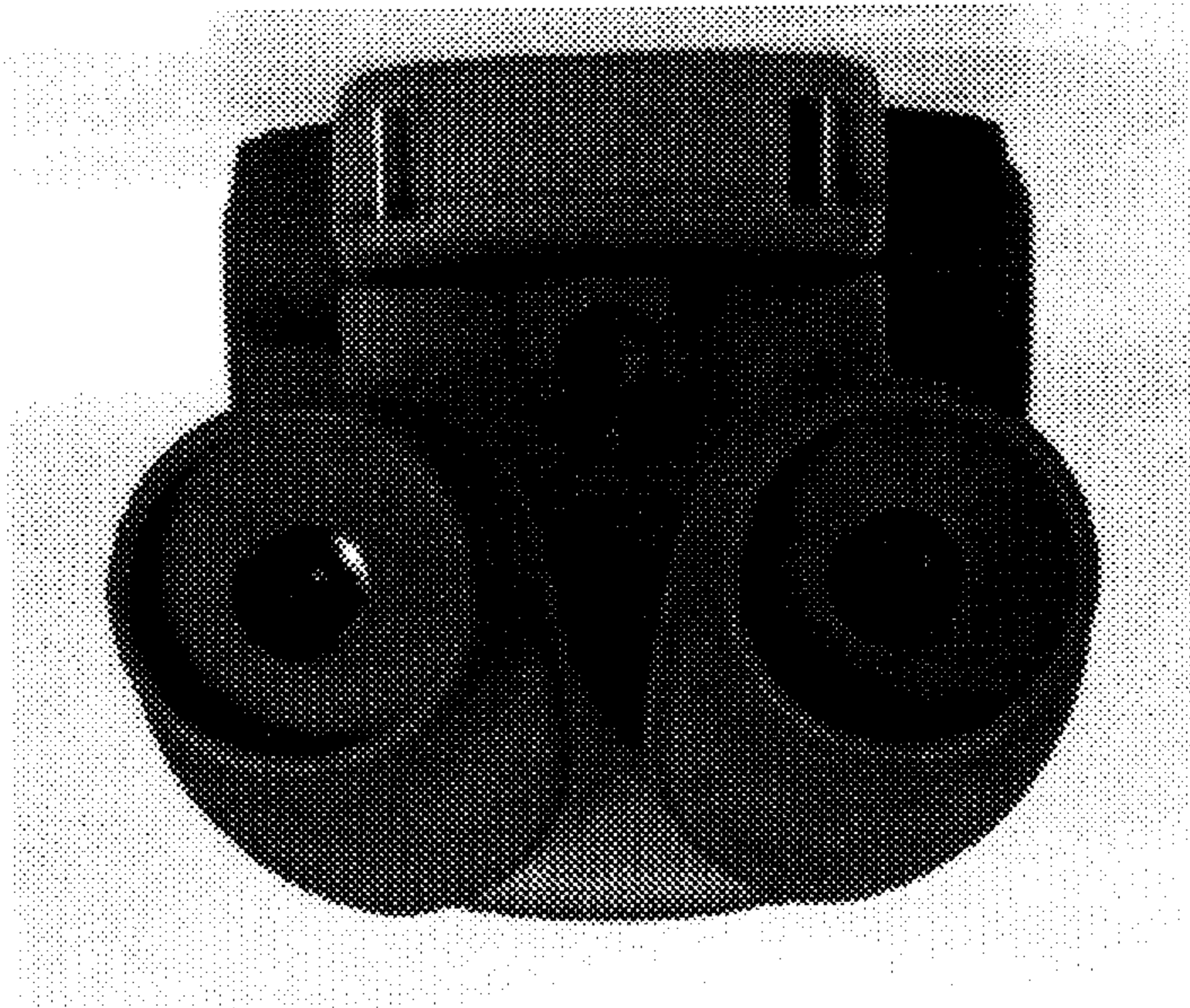


FIG. 6

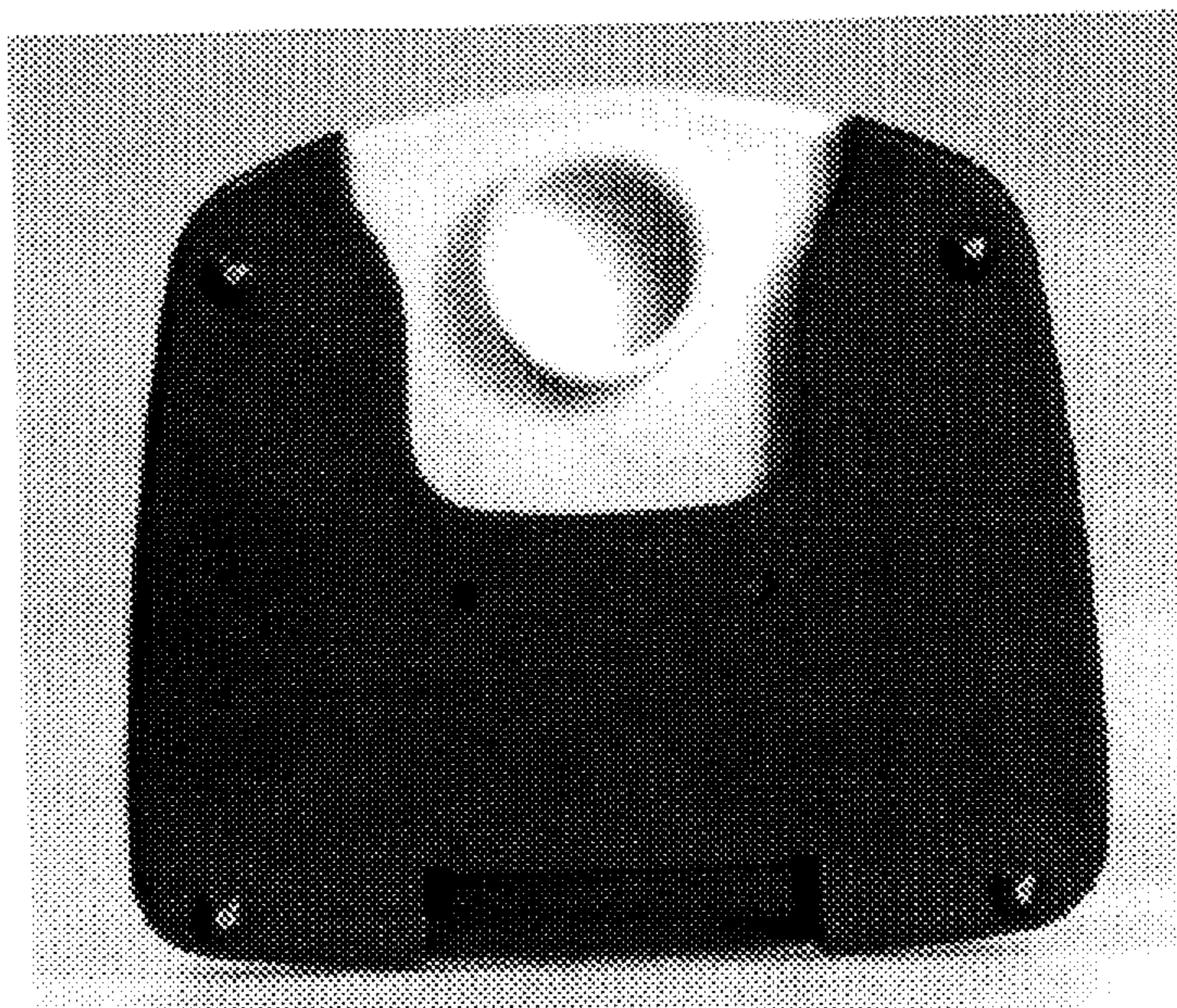


FIG. 7

