



US00D391585S

United States Patent [19]
Chen

[11] **Patent Number:** **Des. 391,585**
[45] **Date of Patent:** ****Mar. 3, 1998**

[54] **MITER SAW**

5,129,300 7/1992 Kawakami 83/471.2

[75] **Inventor:** **Ruey-Zon Chen, Taiwan, China**

Primary Examiner—Antoine Duval Davis
Attorney, Agent, or Firm—McCormick, Paulding & Huber

[73] **Assignee:** **Rexon Industrial Corp., Ltd., Taichung, Taiwan**

[57] **CLAIM**

[**] **Term:** **14 Years**

The ornamental design for a miter saw, as shown and described.

[21] **Appl. No.:** **62,058**

DESCRIPTION

[22] **Filed:** **Nov. 6, 1996**

FIG. 1 is a perspective view of a miter saw embodying the design of the present invention;

[51] **LOC (6) Cl.** **15-09**

[52] **U.S. Cl.** **D15/133**

FIG. 2 is a rear elevational view of the miter saw of FIG. 1; FIG. 3 is a front elevational view of the miter saw of FIG. 1;

[58] **Field of Search** **D15/133; 83/468.3, 83/471.1, 471.2, 471.3, 471.4, 477, 581, 776-783**

FIG. 4 is a side elevational view of the miter saw viewed from the right side of FIG. 1;

FIG. 5 is a side elevational view of the miter saw viewed from the left side of FIG. 1;

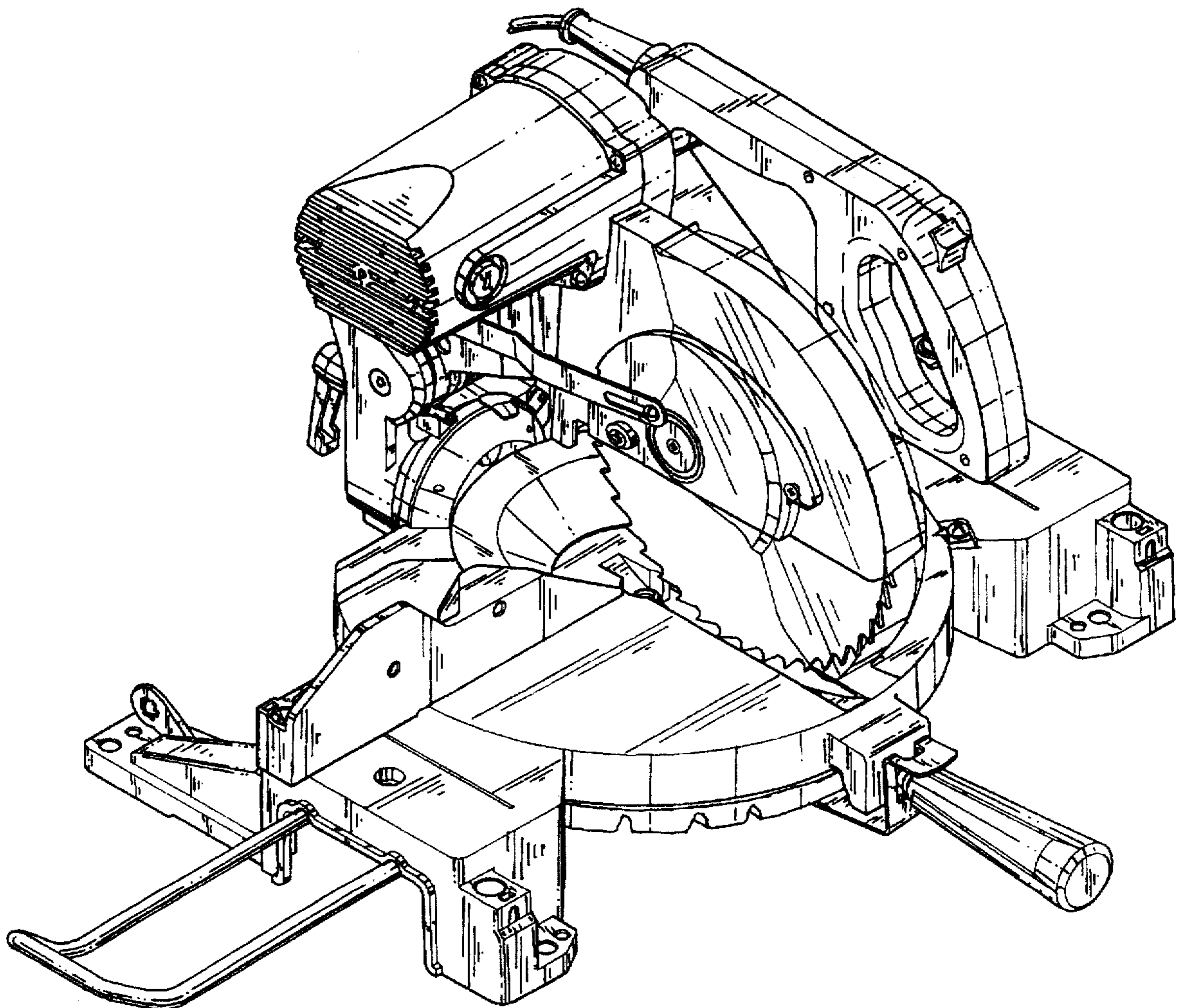
[56] **References Cited**

U.S. PATENT DOCUMENTS

D. 295,823	5/1988	Brickner, Jr. et al.	D15/133
D. 374,803	10/1996	Terpstra et al.	D15/133
4,537,105	8/1985	Bergler	83/471.3

FIG. 6 is a bottom plan view of the miter saw of FIG. 1; and, FIG. 7 is a top plan view of the miter saw of FIG. 1.

1 Claim, 7 Drawing Sheets



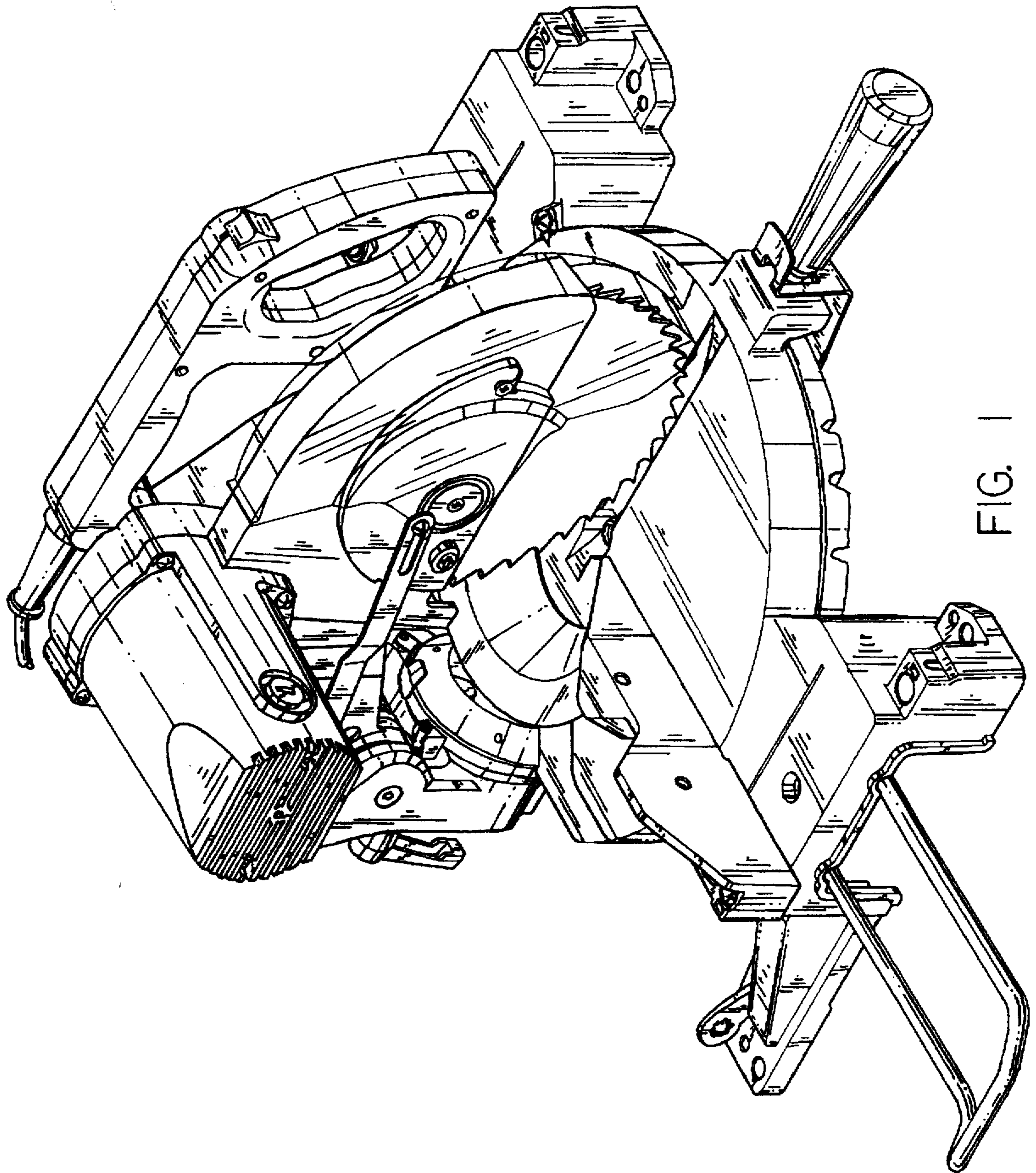


FIG. 1

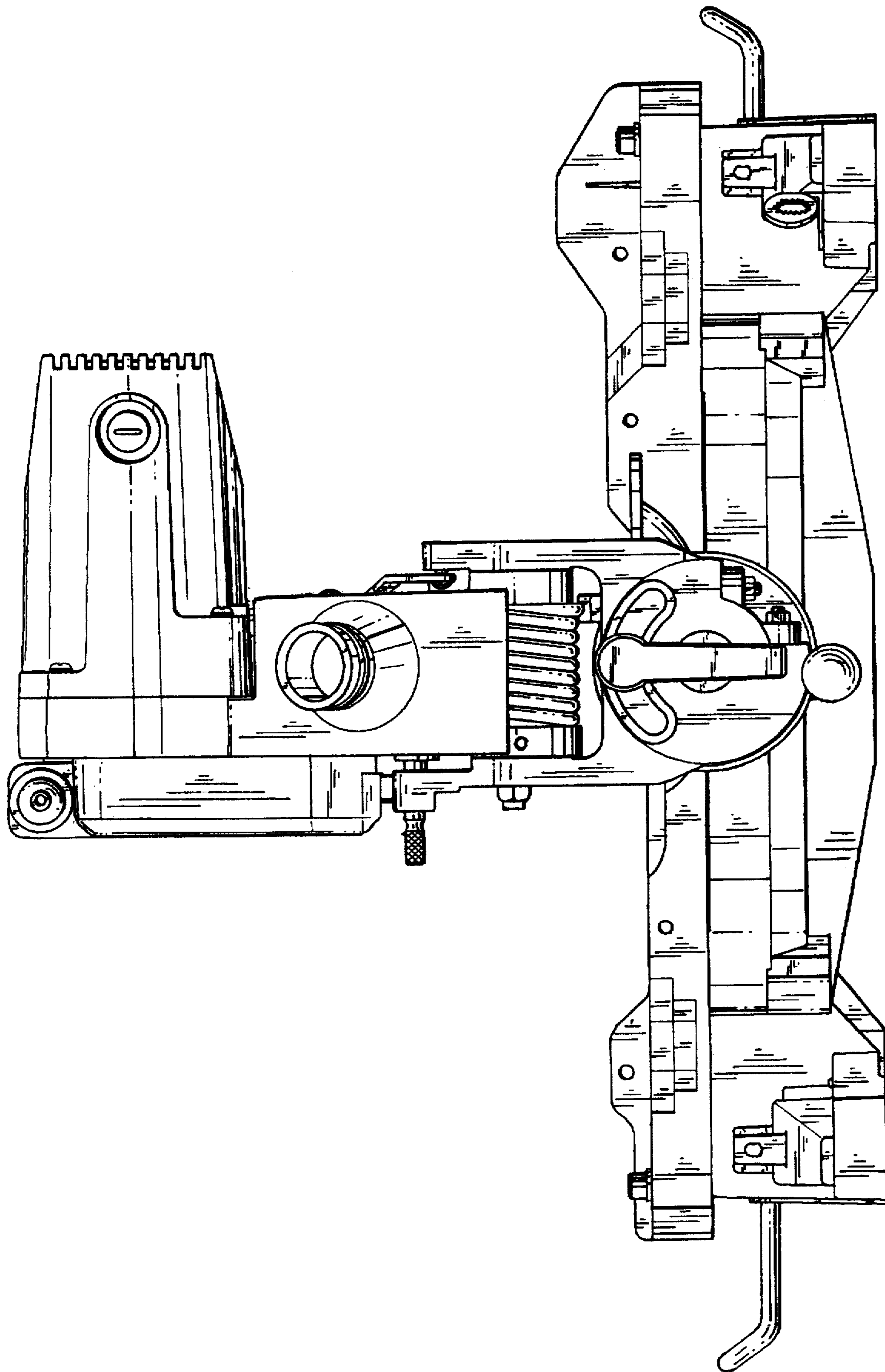


FIG. 2

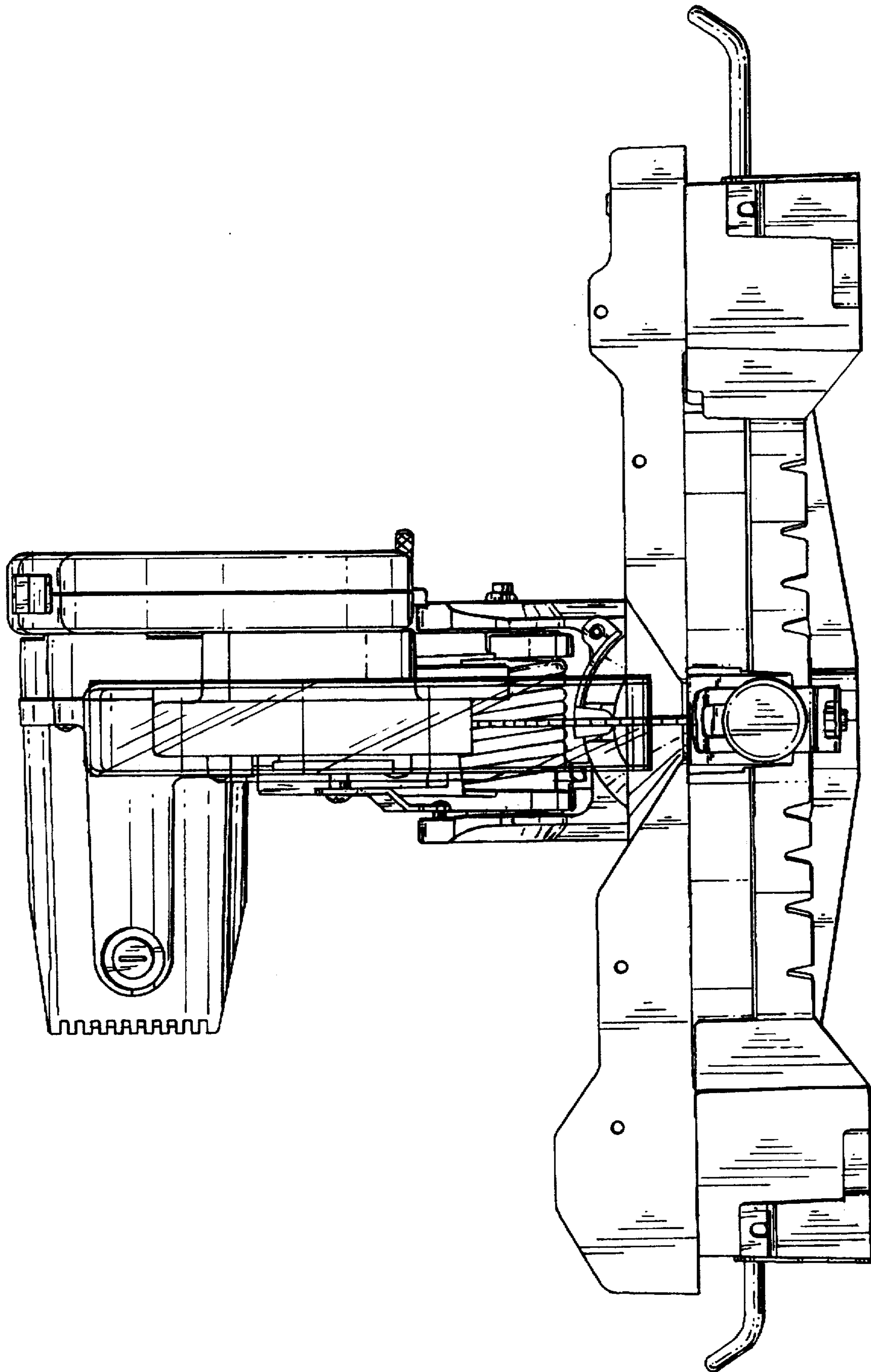


FIG. 3

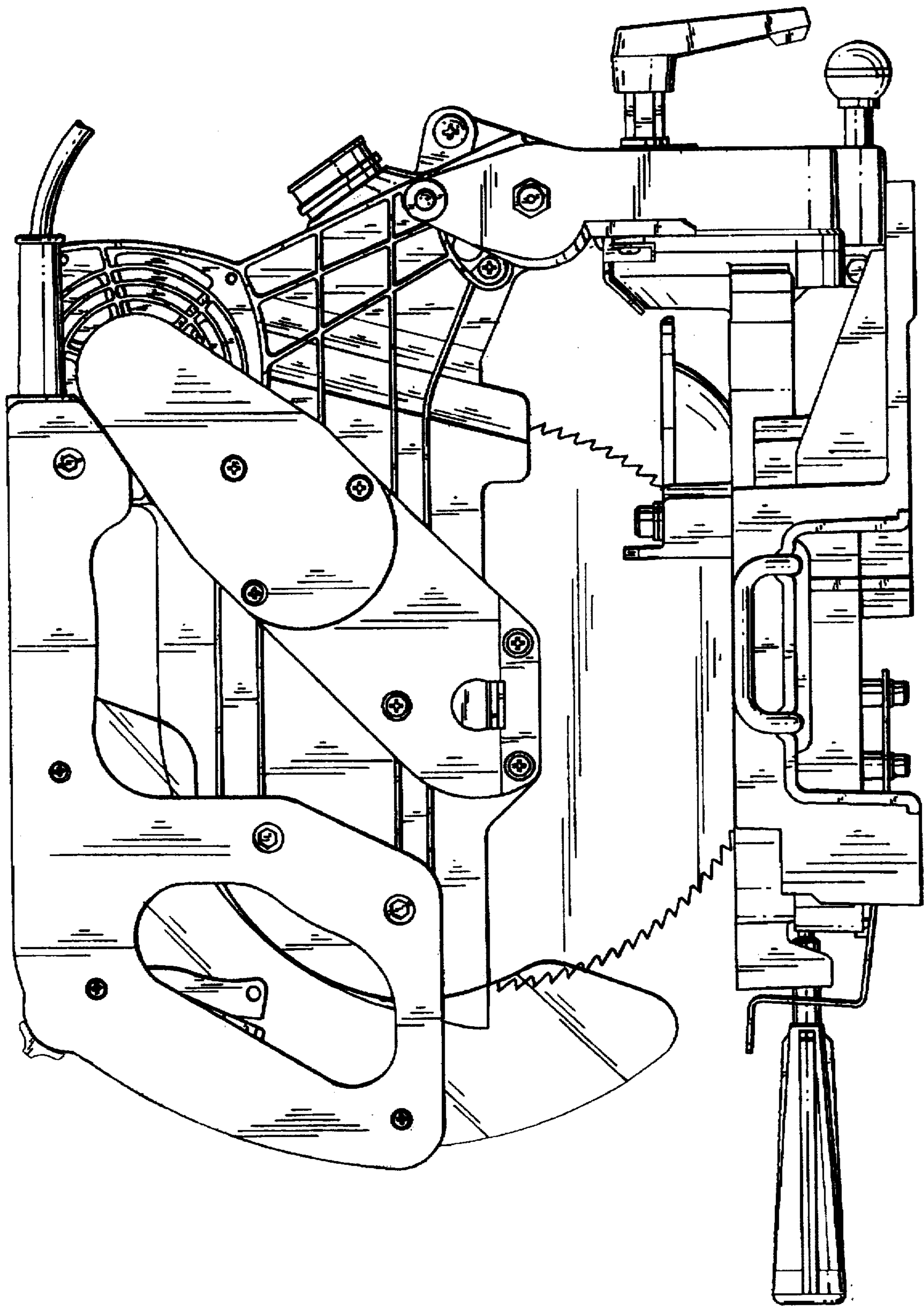


FIG. 4

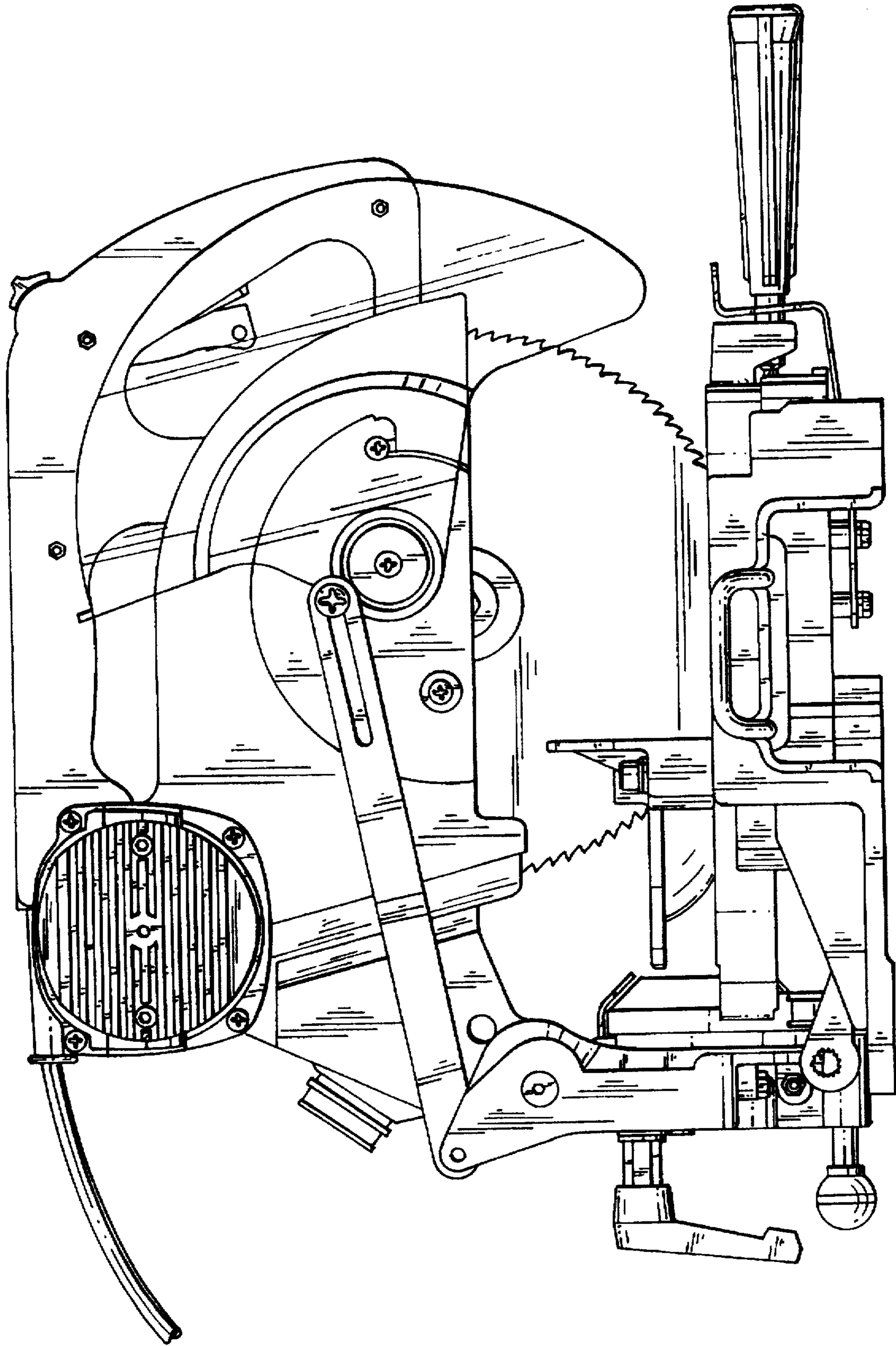


FIG. 5

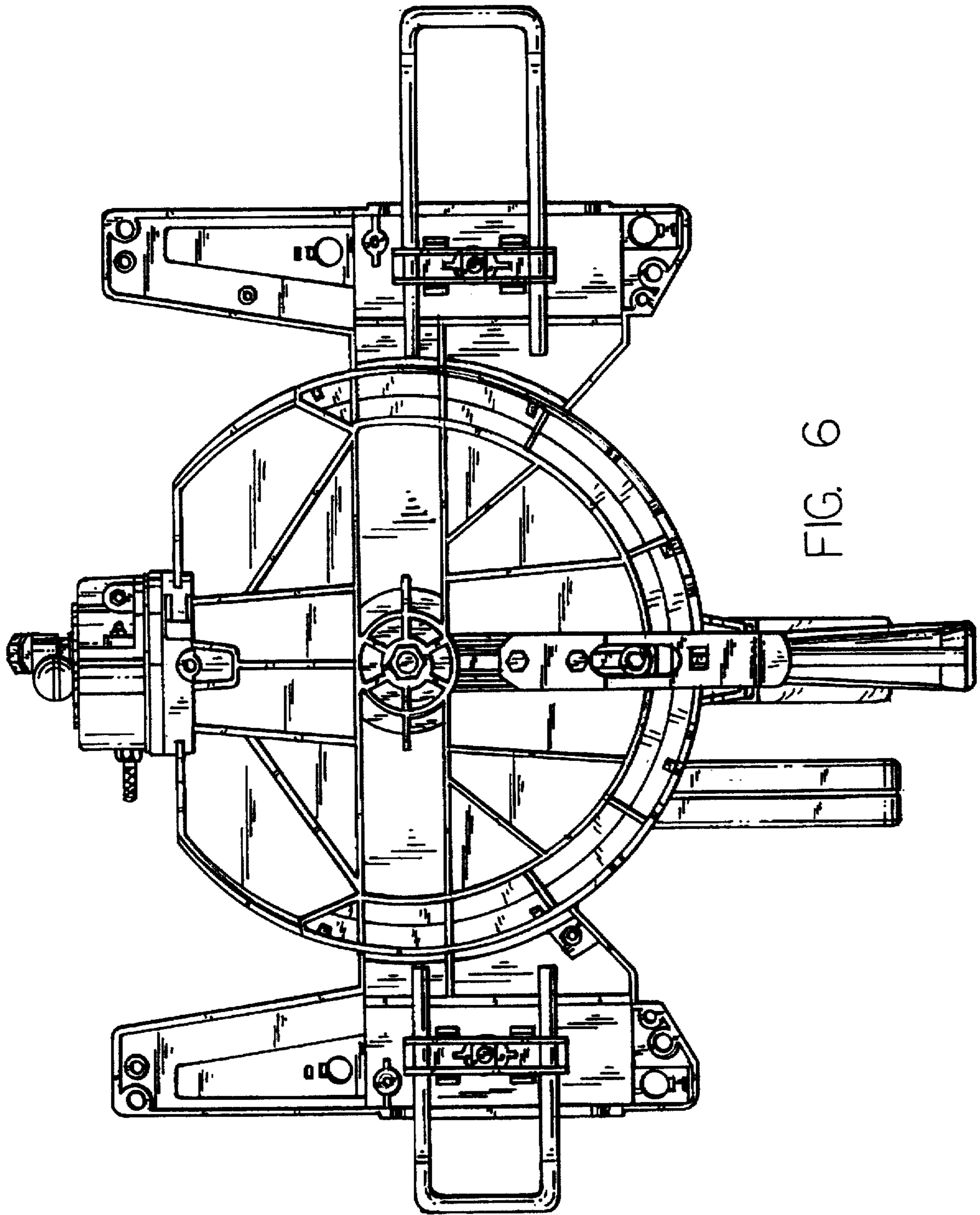


FIG. 6

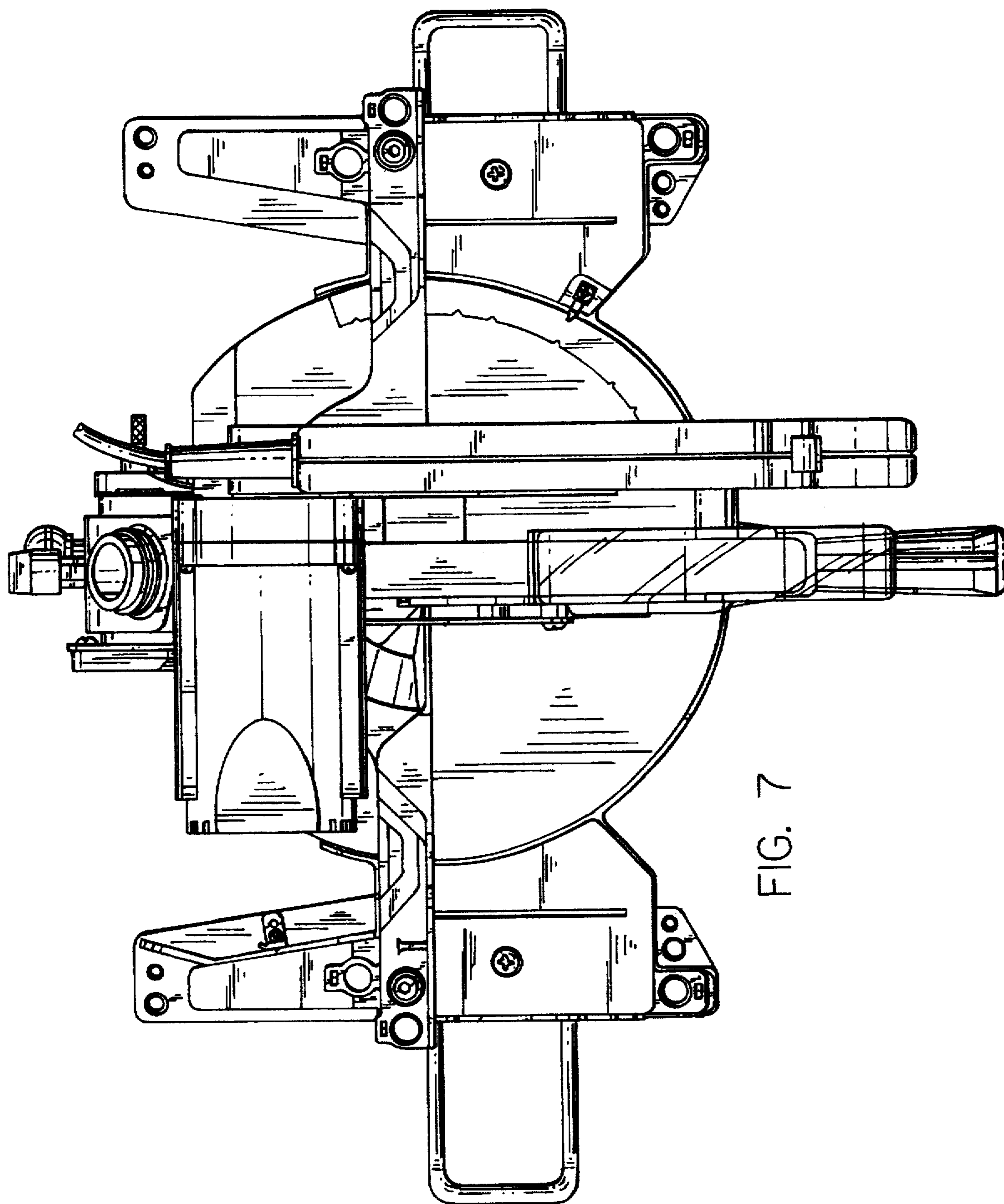


FIG. 7