



US00D391584S

United States Patent [19] Moreno

[11] Patent Number: **Des. 391,584**
[45] Date of Patent: ****Mar. 3, 1998**

[54] **DIGGER TOOTH**
[75] Inventor: **Jorge Pallas Moreno**, Premia de Mar, Spain
[73] Assignee: **Metalogenia, S.A.**, Premia de Mar, Spain
[**] Term: **14 Years**

3,444,633 5/1969 Hensley 37/452
3,959,901 6/1976 Klett 172/713
4,932,478 6/1990 Jones 172/699
5,325,615 7/1994 Hutchins et al. 37/452

Primary Examiner—Sandra L. Morris
Attorney, Agent, or Firm—Horst M. Kasper

[21] Appl. No.: **55,903**
[22] Filed: **Jun. 14, 1996**

[57] **CLAIM**
The ornamental design for a digger tooth, as shown and described.

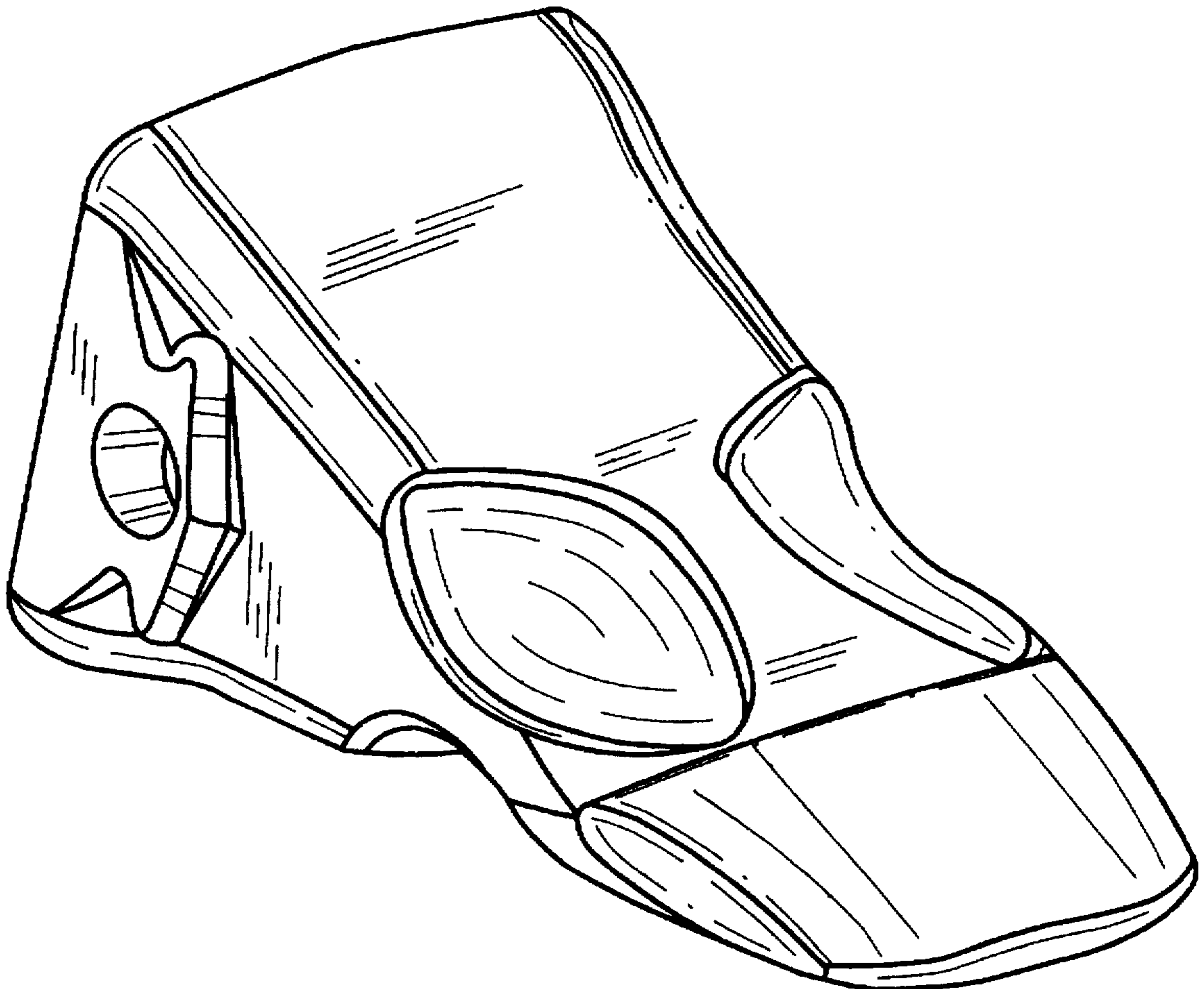
[30] **Foreign Application Priority Data**
Dec. 14, 1995 [ES] Spain 136465
[51] **LOC (6) Cl.** **15-03**
[52] **U.S. Cl.** **D15/29**
[58] **Field of Search** D15/10, 11, 25,
D15/28, 29, 139; 37/446, 452-454; 172/699,
713

DESCRIPTION

FIG. 1 is a perspective view of a digger tooth, showing my new design;
FIG. 2 is a sectional view, taken along line 2—2 of FIG. 3;
FIG. 3 is a top plan view thereof;
FIG. 4 is a side elevational view thereof, the other side being identical;
FIG. 5 is a front elevational view thereof;
FIG. 6 is a rear elevational view thereof;
FIG. 7 is a sectional view, taken along line 7—7 of FIG. 4;
FIG. 8 is a sectional view, taken along line 8—8 of FIG. 4; and,
FIG. 9 is a sectional view, taken along line 9—9 of FIG. 4.

[56] **References Cited**
U.S. PATENT DOCUMENTS
D. 328,466 8/1992 Robinson D15/29
D. 329,243 9/1992 Robinson D15/29

1 Claim, 3 Drawing Sheets



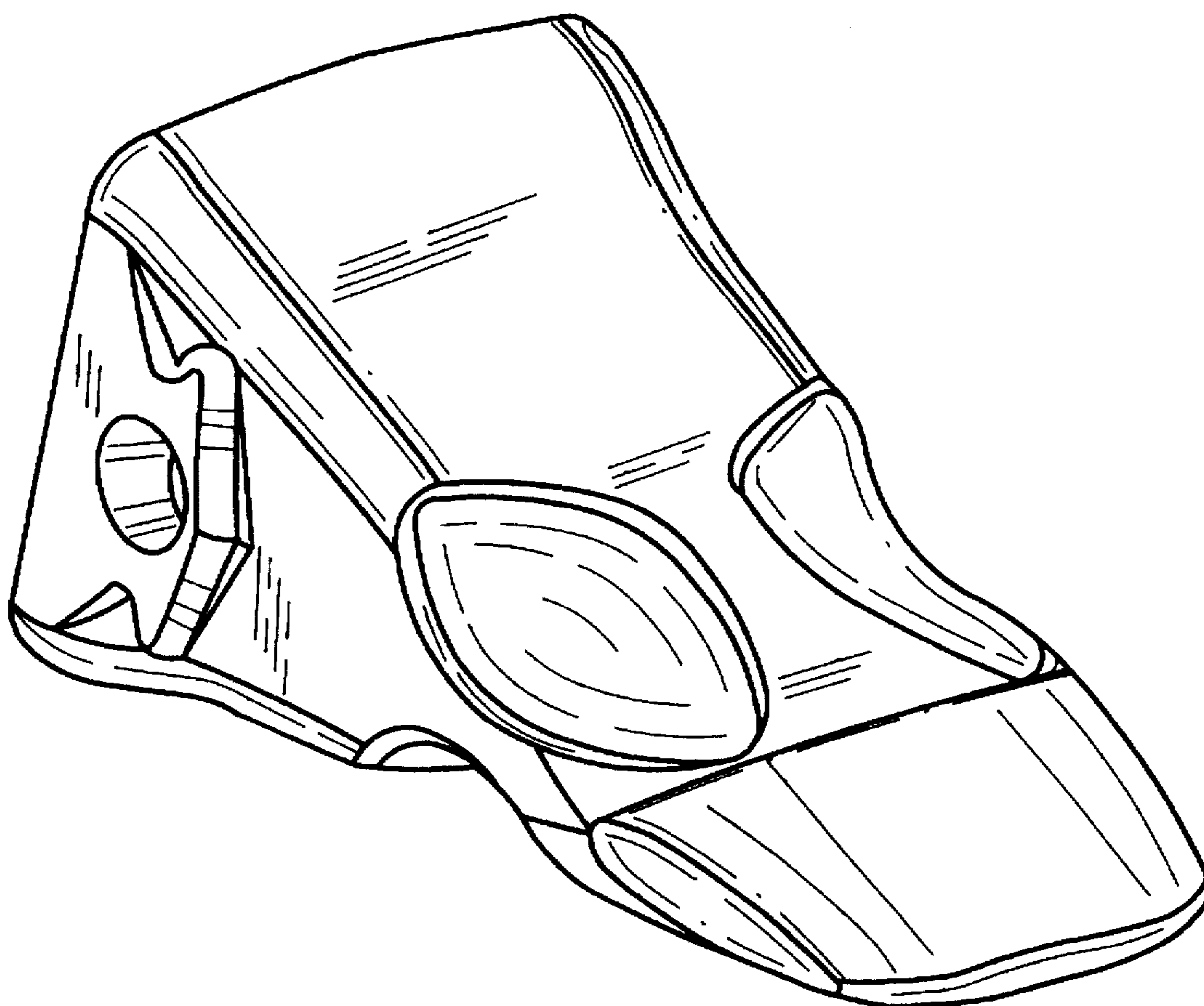


Fig. 1

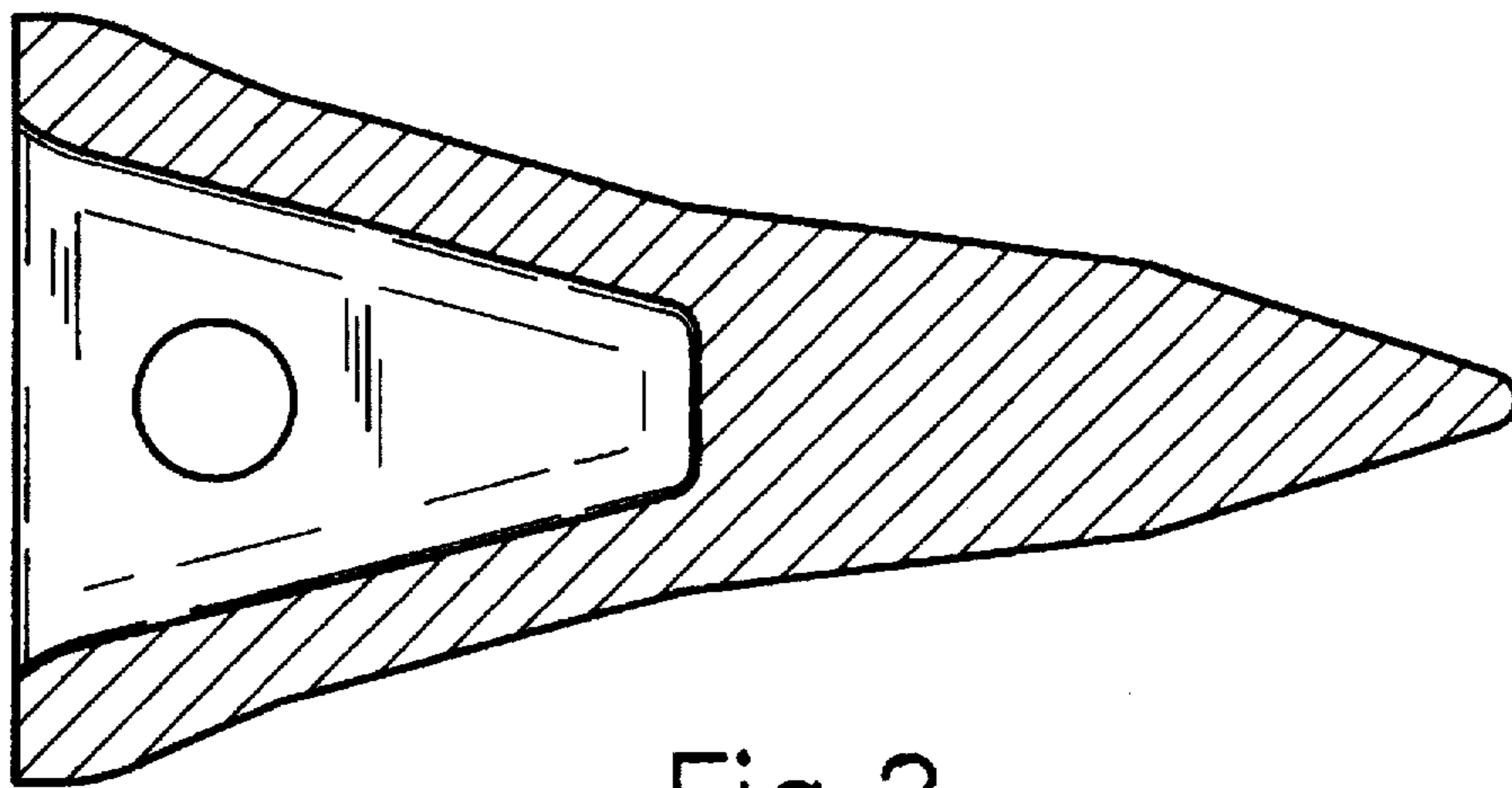


Fig. 2

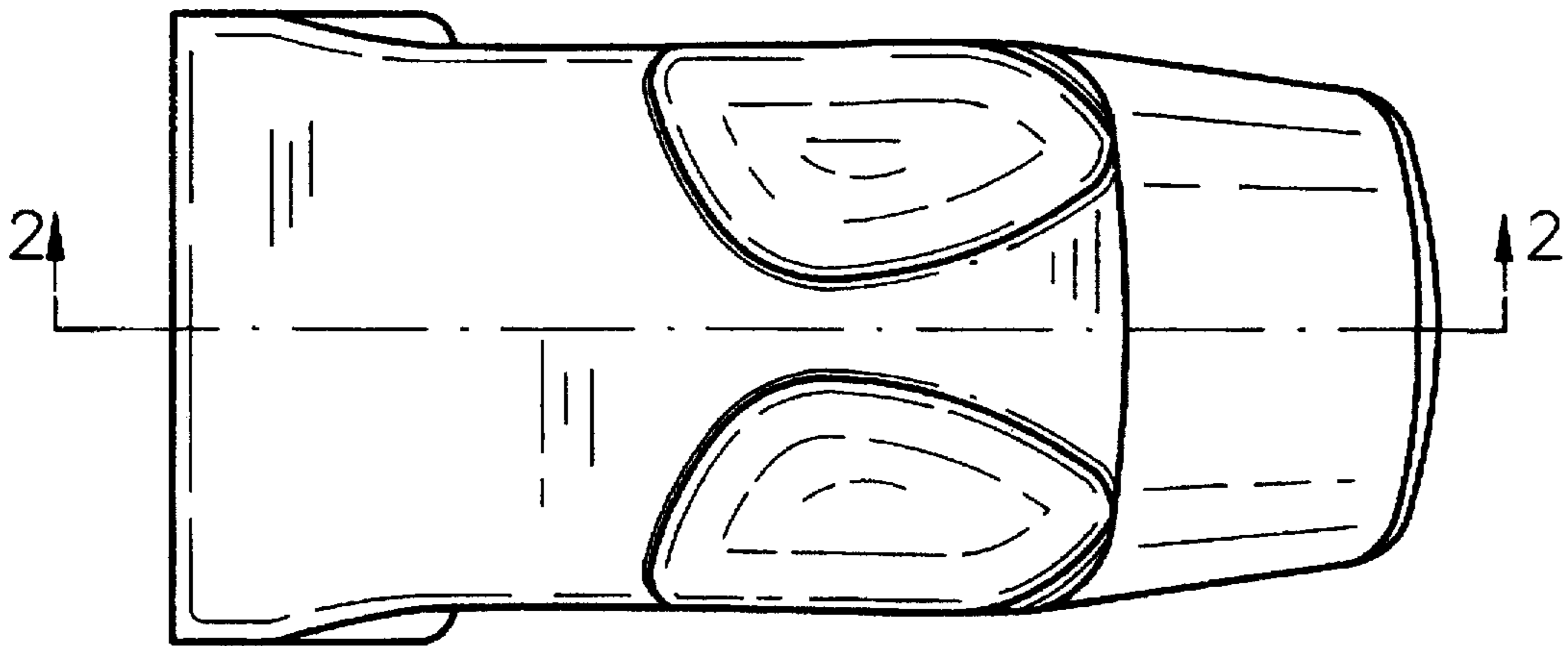


Fig. 3

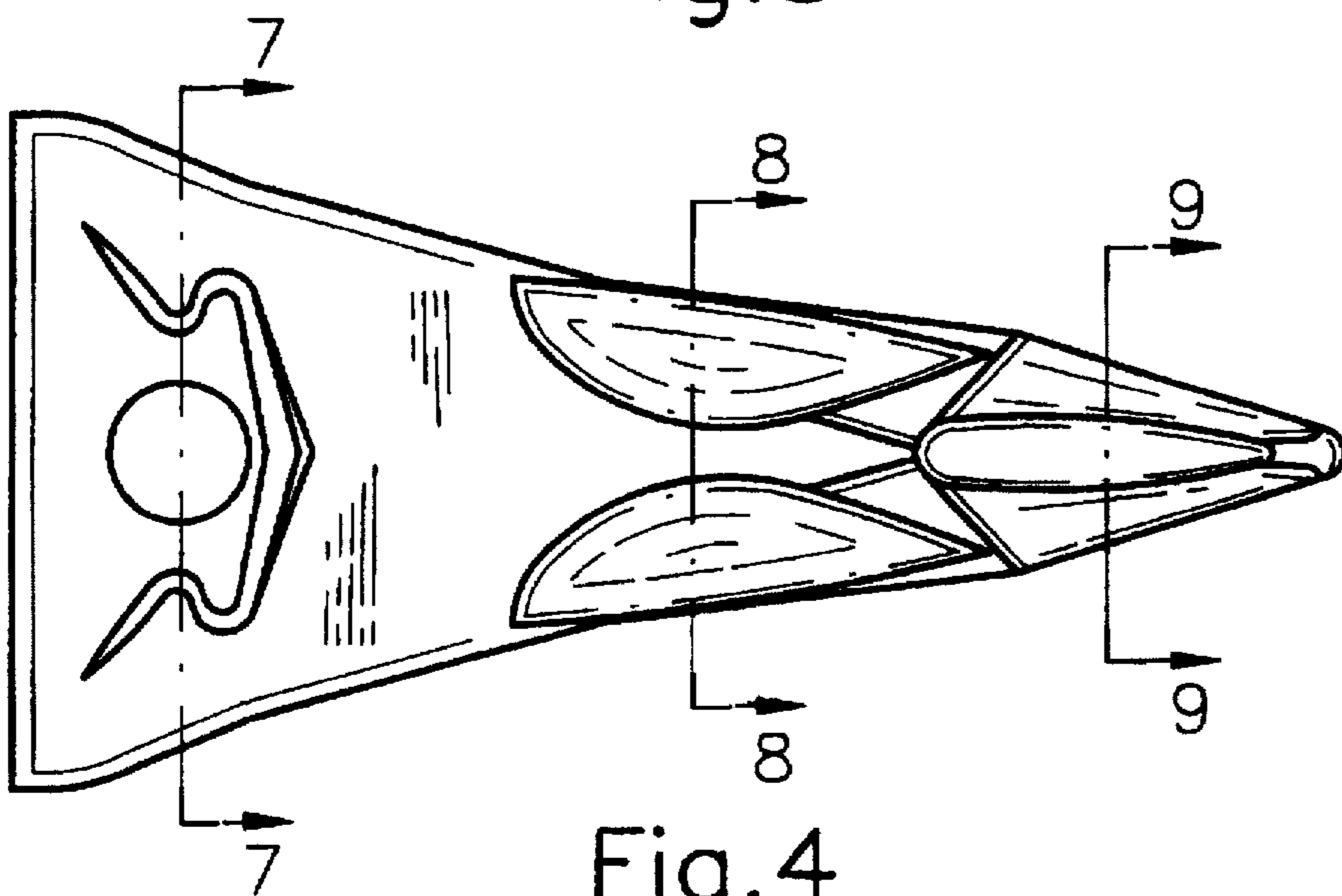


Fig. 4

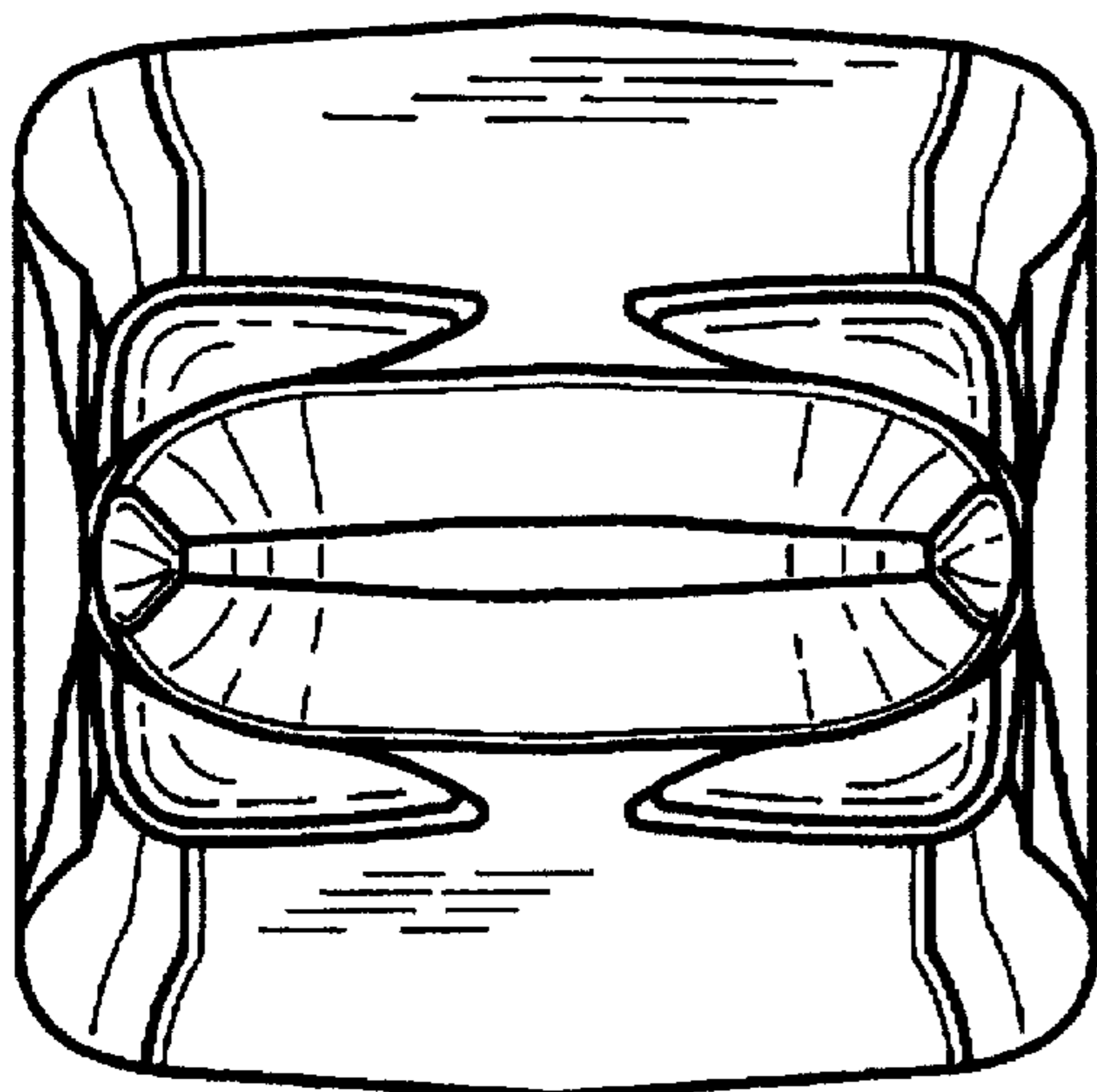


Fig. 5

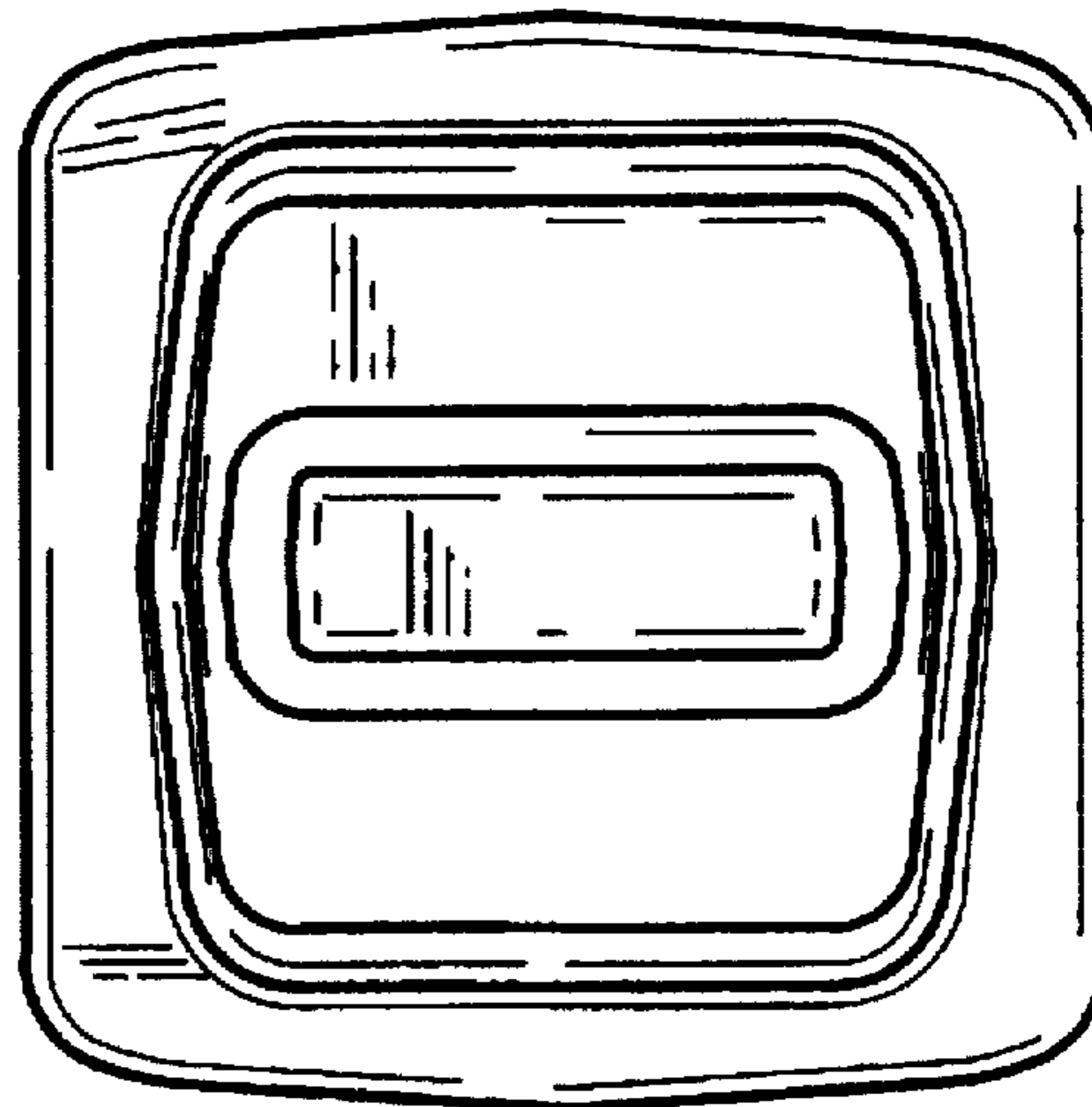


Fig. 6

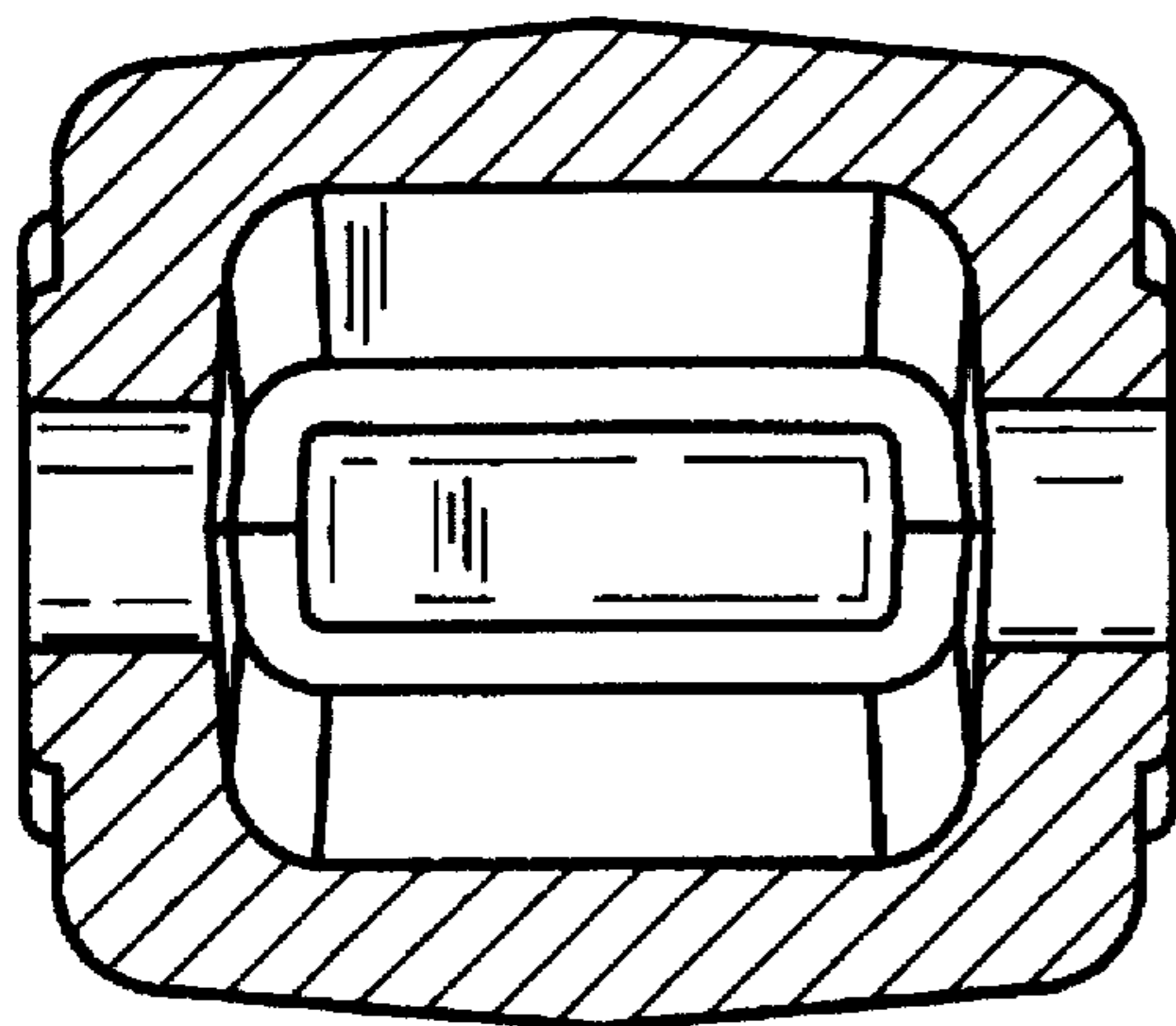


Fig. 7

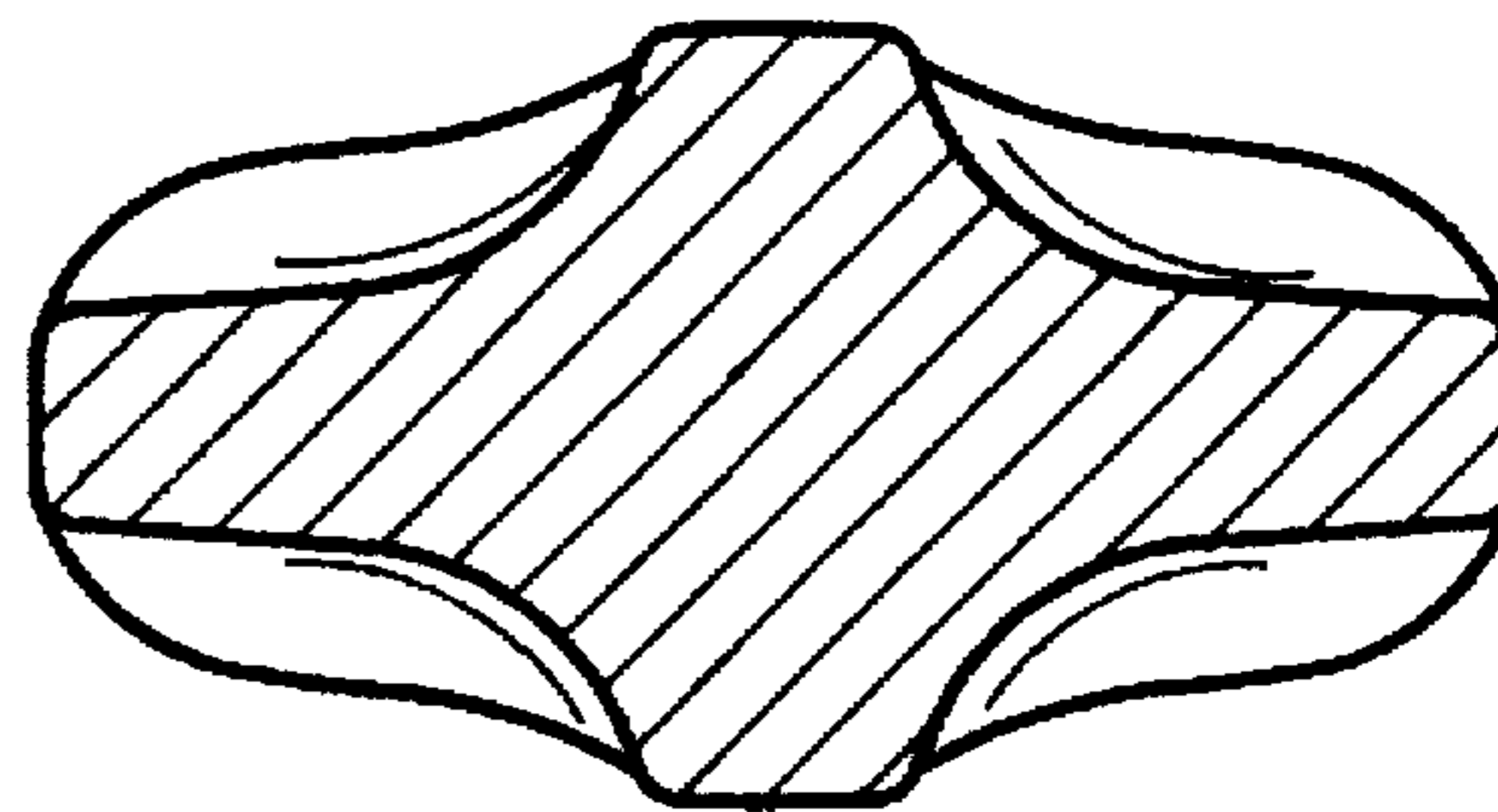


Fig. 8



Fig. 9